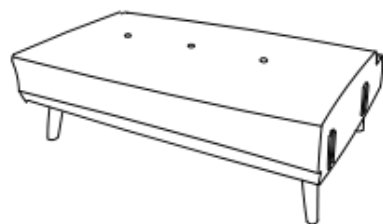
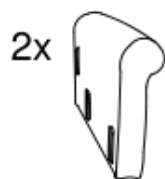


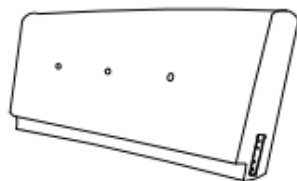
Components



A. 1X SEAT



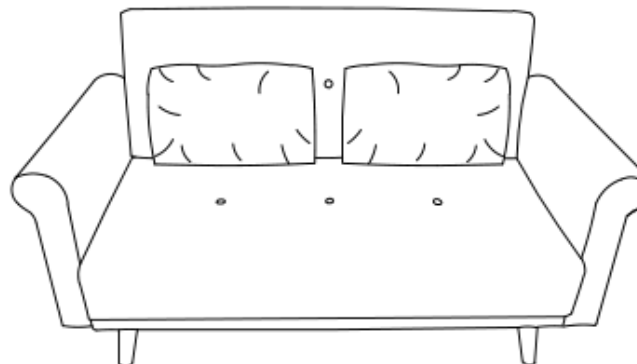
B. 2X ARM REST



C. 1X BACK REST



D. 2X CUSHIONS






HME SOFA IN A BOX CHARCOAL/HME SOFA IN A BOX NATURAL/SOFA IN A BOX DENIM BLUE/SOFA IN A BOX CHOCOLATE

Simple Assembly Instructions-Please keep for future reference

-----4642811/6099747/7198867/7245545

Fittings

HARDWARE LIST :

E :		4PCS
F :		1PCS
G :		16PCS

Important – Please read these instructions fully before starting assembly

If you need help or have damaged or missing parts, call the **Customer Helpline: 0345 640 0800**

1. Read these instructions carefully and familiarise yourself with the procedure before assembling the unit.
2. Check that you have all the component parts following the list on the back cover and familiarise yourself with each part before proceeding.
3. Take all the fittings out of the plastic bag and separate them into their groups.
4. Ensure you have enough space to lay out all the parts before assembly.
5. To avoid scratching it is recommended that you assemble the unit on a soft level surface.

Assembly Instructions

Get the assembling materials

1. Take out the arms at the bottom of sofa seat.

See fig.1.

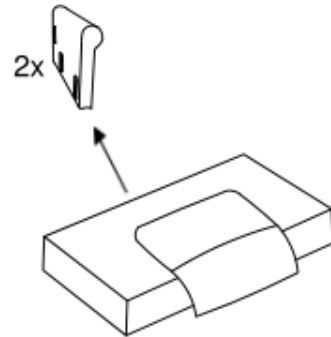


fig.1.

2. Take out the fitting for leg assembly from pack 2.

See fig.2.

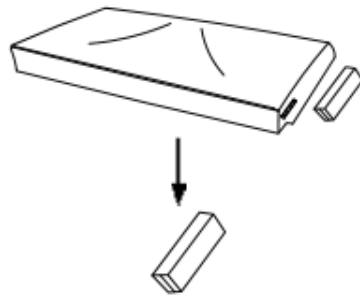


fig.2.

3. Tear the magic tape at the bottom of sofa back and take out the cushions carefully.

Please fix the magic tape to the back properly after taking out the cushions.

See fig.3.

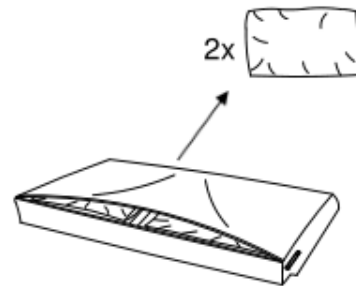


fig.3.

Assembly Instructions

Fitting the legs

4. Fitting the legs on the seat with correct orientation.

See fig.4.

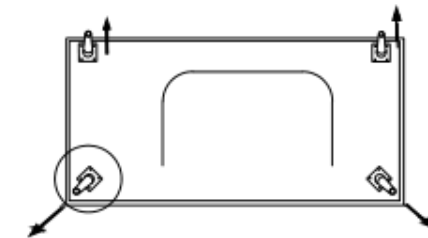
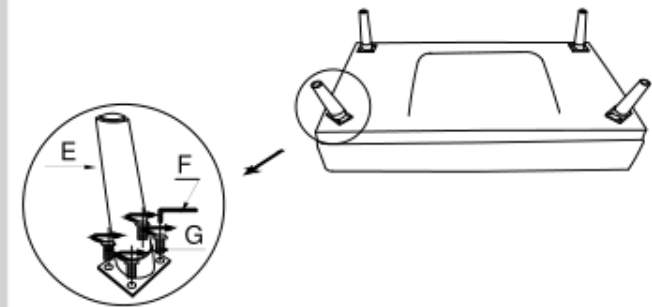
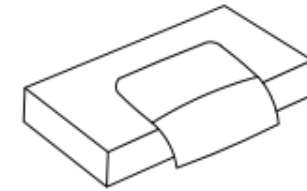


fig.4

Assembly Instructions

Assembly Instructions

Assembling the sofa

NOTE: It would be useful to ask someone to help you at this stage.

5. Fitting the arms by connecting the inserts on the arm and seat.

See fig.5.

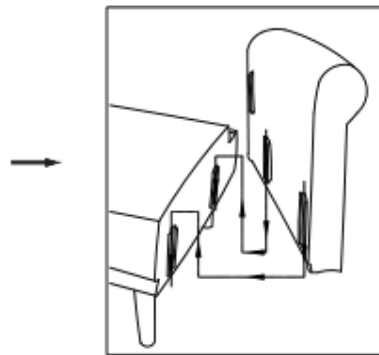
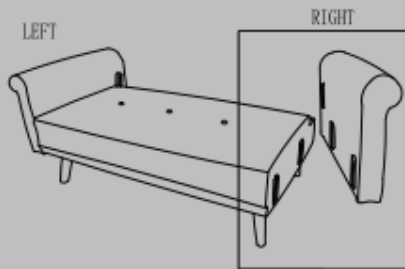


fig.5

6. Assembling the back with the seat by connecting the inserts on the arm and back.

See fig.6.

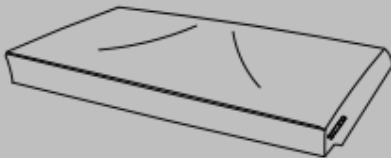


fig.6

7. Finally carefully place the unit in the desired location.

See fig.7.

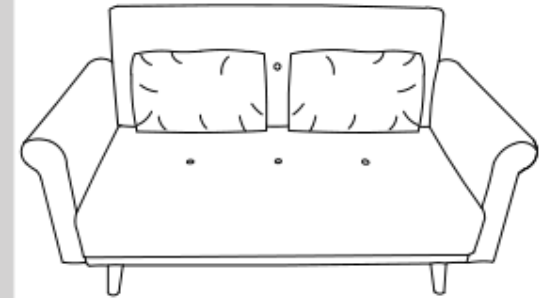


fig.7

Care and Maintenance

Safety

To avoid any risk of suffocation to animals or children dispose of the plastic bags immediately.

Cleaning

As with all surfaces clean with a damp cloth and mild detergent ,do not use bleach or abrasive products.

Fitting

From time to time please ensure there are no loose screws on the product.

If you need help or have damaged or missing parts, call the Customer Helpline:

0345 640 0800

489-499 Avebury Boulevard Milton Keynes MK9 2NW, Argos Limited