

**Serie | 4, Heat pump tumble dryer, 8 kg
WTH85222GB**



A++



**The dryer for especially efficient drying:
energy efficiency class A++.**

- **EasyClean with A++:** dries very efficiently. With easy cleaning of the condenser filter.
- **AutoDry:** automatically dries to the exact level of dryness you require.
- **AntiVibration Design:** extremely stable and pleasantly quiet thanks to special vibration protection.
- Climate friendly dryer with the most environmental friendly cooling agent (R290).
- Easy-to-use LED display with touch control and many additional functions like start delay and remaining time.

Technical Data

Construction type : Free-standing
 Removable work top : No
 Door hinge : Right
 Length of electrical supply cord : 145.0 cm
 Height of removable worktop : 0 mm
 Dimensions of the product : 842 x 598 x 613 mm
 Net weight : 46.6 kg
 Fluorinated greenhouse gases : No
 Type of refrigerant : R290
 Hermetically sealed equipment : Yes
 Quantity of fluorinated gases : 0.115 kg
 The quantity expressed in CO2 equivalent : 0.000 t
 EAN code : 4242005242740
 Connection rating : 625 W
 Fuse protection : 10 A
 Voltage : 220-240 V
 Frequency : 50 Hz
 Approval certificates : CE, E17D UKCA marking, VDE
 Capacity cotton - NEW (2010/30/EC) : 8.0 kg
 Energy efficiency rating : A++
 Energy consumption electric dryer, full load - NEW (2010/30/EC) : 1.87 kWh
 Standard cotton programme time at full load : 205 min
 Energy consumption electric dryer, partial load - NEW (2010/30/EC) : 1.14 kWh
 Standard cotton programme time at partial load : 130 min
 Weighted annual energy consumption, electric dryer - NEW (2010/30/EC) : 236.0 kWh/annum
 Weighted programme time : 162 min
 Average condensation efficiency full load (%) : 81 %
 Average condensation efficiency partial load (%) : 81 %
 Weighted condensation efficiency (%) : 81 %

Optional accessories

WTZ1110 : Condenser drainage kit
 WTZ11400 : Stacking kit with pull-out shelf
 WTZ20410 : Stacking kit



Serie | 4, Heat pump tumble dryer, 8 kg WTH85222GB

**The dryer for especially efficient drying:
energy efficiency class A++.**

Performance

Programmes/functions

- Special programmes: Woollens, Mixed Load, Towels, Timed programme warm, Timed programme cold, Sportswear, Down, Super Quick 40, Shirts/blouses

Key features

- Touch control buttons: Low heat, Reduced ironing, Drying length, fine-tuning for drying level, 24 h, end Time Delay

Additional features

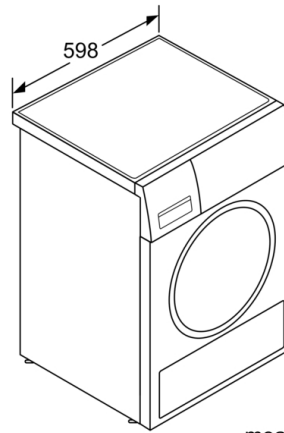
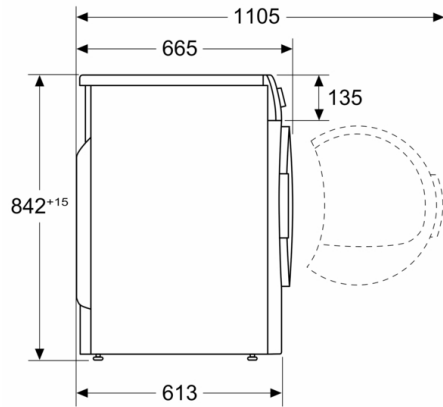
- EasyClean filter
- Fully electronic control dial for sensor programmes and timed programmes
- Fully electronic control dial for sensor drying, including timed and special programmes
- LED Display for remaining time and 24 hours time delay, programme status indication, special functions
- Sensitive drying: large stainless steel drum with textile care and revolution drying system
- AntiVibration design: for greater stability and quietness
- No
- Container for condensed water
- Full container tank indicator
- Warning for fluff filter and condensed water container
- no
- Child lock
- Anti-crease cycle at the end of the programme
- Buzzer to indicate the end of cycle
- Glass door,, silver-white
- pull-open latch
- Door hinge: right-hand
- Metal door catch

Technical Information

- slide-under installation
- Dimensions (H x W): 84.2 cm x 59.8 cm
- Appliance depth: 61.3 cm
- Appliance depth incl. door: 66.5 cm
- Appliance depth with open door: 110.5 cm
- Heat pump technology with climate friendly cooling agent

**Serie | 4, Heat pump tumble dryer, 8 kg
WTH85222GB**

Measurements in mm



measurements in mm