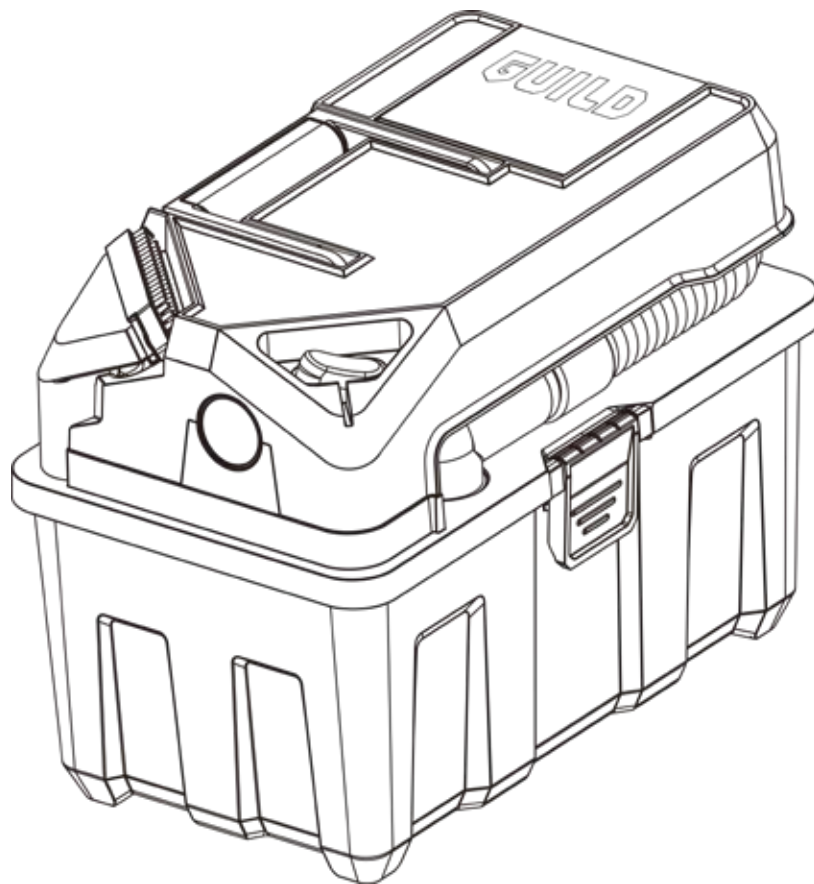


GUILD

10L CORDLESS WET AND DRY VAC

Instruction Manual

GCLWD10



GUILD

After Sales Support

UK/Ireland +44 (0)3303 800 661

Important- Please read these instructions fully before operating or maintaining your Guild wet/dry vacuum.

These instructions contain important information that will help you get the best from your Guild cordless wet/dry vacuum cleaner, ensuring it remains safe to operate.

If you require any assistance or have damaged or missing parts, please call the After Sales Helpline on +44 (0)3303 800 661

Table Of Contents

Safety Symbols & Warnings	3
Unpacking & Checking Carton Contents	9
General Assembly	10
General Operation	13
Switching ON/OFF	13
Battery Pack Operation	13
Charger Operation	13
Dry & Wet Vacuum Operation	15
Blower Operation	17
Maintenance	18
General Maintenance	18
Cleaning Washable Cartridge Filter.....	18
Battery Maintenance.....	18
Troubleshooting	19
Technical Data	21
Replacement Parts List	22
Guarantee.....	22
Recycling And Disposal	23

Thank you for purchasing this Guild® cordless wet and dry vacuum cleaner. With Guild® you are obtaining a high-quality product that is engineered for optimal performance. This vacuum cleaner is suitable for use with both liquids and dry materials.

FOR YOUR SAFETY: CAREFULLY READ AND UNDERSTAND ALL INSTRUCTIONS.

Safety Symbols & Warnings

Important- Please read these instructions fully before starting assembly

The following warning symbols appear throughout this manual and indicate the appropriate safety measures you should take when operating and maintaining the appliance. Take extra care, beware of hazards.



Caution.



Read Instruction Manual.



Only recharge battery packs with the supplied charger indoors.



Wear Safety Goggles.



Wear respiratory protection.



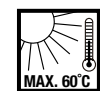
Read the instruction manual and follow all warnings and safety instructions.



Do not dispose of battery packs in rivers or immerse in water.



Do not dispose of battery packs in fire. They will explode or leak and cause injury.



Do not expose battery packs to heat in excess of 60°C.



The product conforms to relevant UK regulatory requirements.



The product complies with the applicable European directives and an evaluation method of conformity for these directives was followed.



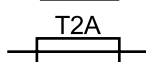
Electrical appliances must not be disposed of with the domestic waste.

IPX4

Protection against penetration of dust, protection against vertical water drips.



Protection class II (Double insulation for charger).



Rated Current 2A of Protection Fuse.

Safety Symbols & Warnings

Important- Please read these instructions fully before starting assembly



Batteries contain Lithium-ion. Do not dispose of batteries in household waste.



Recycle electrical waste products in an environmentally safe way where facilities exist.

READ AND UNDERSTAND ALL INSTRUCTIONS BEFORE USING THIS VACUUM CLEANER.

Read and understand this instruction manual and all labels on the Wet/Dry Vacuum cleaner before operating. Safety is a combination of common sense, staying alert and knowing how your vacuum cleaner works. Use this Wet/Dry Vacuum only as described in this manual. To reduce the risk of personal injury or damage to your Wet/Dry Vacuum, use only recommended accessories.

SAVE THIS MANUAL FOR FUTURE REFERENCE.

When using an electrical appliance, basic precautions should always be undertaken including the following:

- This appliance can be used by children aged from 8 years and above and persons with reduced physical, sensory or mental capabilities or lack of experience and knowledge if they have been given supervision or instruction concerning use of the appliance in a safe way and understanding the hazards involved.
- Children should be supervised to ensure that they do not play with the appliance. Cleaning and user maintenance shall not be made by children without supervision.
- The vacuum cleaner is only to be used with the battery pack provided with the vacuum cleaner.
- Never leave the vacuum cleaner unattended when operational.

Safety Symbols & Warnings

Important- Please read these instructions fully before starting assembly

- Remove the battery pack from the vacuum cleaner before carrying out maintenance, changing accessories, or storing vacuum cleaner. Such preventive safety measures reduce the risk of starting the vacuum cleaner accidentally.
- Always keep the vacuum clean. Don't use any solvents or cleaners that contain solvents for cleaning.
- Do not vacuum in areas with flammable gases, vapors, or explosive dusts in the air. Flammable gases or vapors include but are not limited to: lighter fluid, solvent type cleaners, oil-based paints, gasoline, alcohol, or aerosol sprays. Explosive dusts include but are not limited to: coal, magnesium, grain, or gun powder. To reduce the risk of health hazards from vapors or dust, do not vacuum toxic materials.
- Do not use the vacuum cleaner without an appropriate filter fitted in place. Make sure that the filter is inserted into the vacuum cleaner correctly.
- Do not vacuum up ashes, hot coals or the like, large fragments of glass, sharp objects, inflammable or explosive substances, vapor or liquids.
- This vacuum cleaner is not suitable for vacuuming dust which can be harmful to your health.
- Store the vacuum cleaner in a dry indoor location.
- Never use the vacuum cleaner if it is damaged.
- Do not put the vacuum cleaner in water. Make sure that water is not spilled on the vacuum cleaner.
- Store the vacuum cleaner, the charger and the battery at a temperature between 0°C and 25°C.

When using as blower:

- Direct air discharge only at work area.
- Do not use Wet/Dry Vacuum as a sprayer.
- Do not direct air at bystanders.
- Keep children away when blowing.
- Wear safety goggles.

Safety Symbols & Warnings

Important- Please read these instructions fully before starting assembly

CAUTION: BATTERY SAFETY INSTRUCTIONS

- Recharge only with the charger specified by the manufacturer. A charger that is suitable for one type of battery pack may create a risk of fire when used with another battery pack. Incorrect use may result in electric shock, overheating or leakage of corrosive liquid from the battery.
- Do not place vacuum cleaners or their batteries near fire or heat sources. Continuous intense sunlight, fire or other heat sources may cause an increased danger of explosion.
- Do not crush, drop or damage the battery pack. Do not use a battery pack or charger that has been dropped or received a sharp blow. A damaged battery is subject to explosion. Properly dispose of a dropped or damaged battery immediately.
- Batteries can explode in the presence of a source of ignition, such as a pilot light.
- To reduce the risk of serious personal injury, never use any cordless product in the presence of an open flame. An exploded battery can propel debris and chemicals. If exposed, flush with water immediately.
- Do not charge battery in a damp or wet location. Following this rule will reduce the risk of electric shock.
- For best results, your battery tool should be charged in a location where the temperature is more than 4°C but less than 40°C.
- Under extreme usage or temperature conditions, battery leakage may occur. If liquid comes in contact with your skin, wash immediately with soap and water. If liquid gets into your eyes, flush them with clean water for at least 10 minutes, then seek immediate medical attention.



Safety Symbols & Warnings

Important- Please read these instructions fully before starting assembly

- When the battery pack is not in use, keep it away from other metal objects like: paper clips, coins, keys, nails, screws, or other small metal objects that can make a connection from one terminal to another. Shorting the battery terminals together may cause sparks, burns, or a fire.
- Do not open up the battery and avoid mechanical damage to the battery. Risk of short circuit and fumes may be emitted. Ensure fresh air and seek medical assistance in the event of discomfort.
- Always remove battery pack before storing the device. When battery becomes fully charged, unplug the charger from the power supply and remove the battery pack from the charger.
- Keep battery pack dry, clean, and free from oil and grease. Always use a dry cloth when cleaning. Never use brake fluids, gasoline, petroleum-based products, or any solvents to clean battery pack.



CAUTION: CHARGER SAFETY INSTRUCTIONS

- Ensure the battery pack is charged indoors only, in a dry, cool and well ventilated environment.
- Do not use non-rechargeable batteries!
- Do not operate the charger with a damaged cord or plug, which could cause shorting and electric shock. If damaged, immediately discontinue use. Replace the charger with the identical unit as listed in the Product Specifications in this manual. If the power cord for this equipment is damaged, it must be replaced by the manufacturer, a customer service agent of the same or a fully qualified personal in order to prevent hazards.
- The plug of the charger must match the outlet. Never modify the plug in any way. Unmodified plugs and matching outlets will reduce the risk of electric shock.

Safety Symbols & Warnings

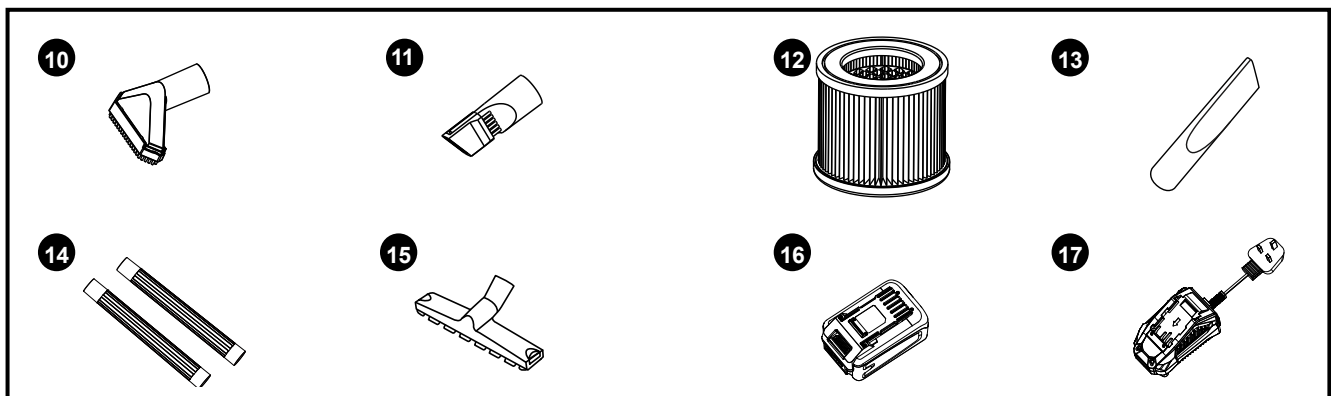
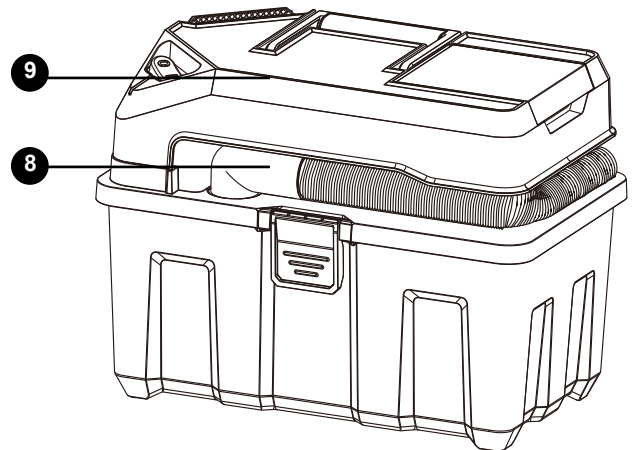
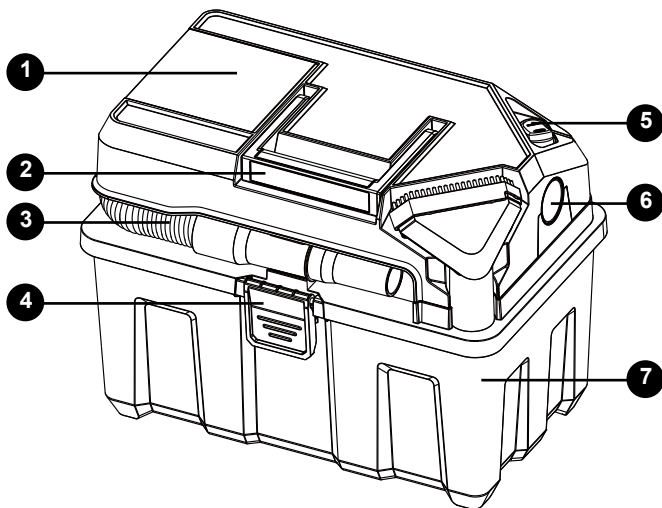
Important- Please read these instructions fully before starting assembly

- Allow a hot battery to cool before charging.
- Before each use, check the charger, cable and plug. Do not use a defective charger and do not disassemble the charger. Incorrect reassembly may result in the risk of fire, electric shock or electrocution.
- Protect the charger against moisture and wet conditions. There is a danger of electric shock.
- Operate the charger only with the appropriate original batteries. Charging other batteries may result in injuries and risk of fire.
- Keep the cord away from heat, oil, sharp edges or moving parts. Damaged or entangled cords increase the risk of electric shock.
- Do not use a charger that has been dropped or received a sharp blow.
- The voltage indicated on the charger rating plate must correspond to the voltage of the power source.
- Never touch the mains plug with wet hands.

Unpacking & Checking Carton Contents

Parts

- 1 Battery Compartment Cover
- 2 Carry Handle
- 3 Suction Hose
- 4 Cover Latches
- 5 On/Off Switch
- 6 Blower Port
- 7 Collection Tank
- 8 Vacuum Suction Port
- 9 Power Head
- 10 Adaptable Utility Nozzle (With Brush Upholstery Adapter)
- 11 2-in-1 Crevice Tool With Brush (Stored under the Adaptable Utility Nozzle)
- 12 Washable Wet/Dry Cartridge Filter (x2, With 1 Pre-installed in the Vacuum)
- 13 Crevice Tool
- 14 Extension Wand (x2)
- 15 Floor Nozzle
- 16 Battery
- 17 Charger



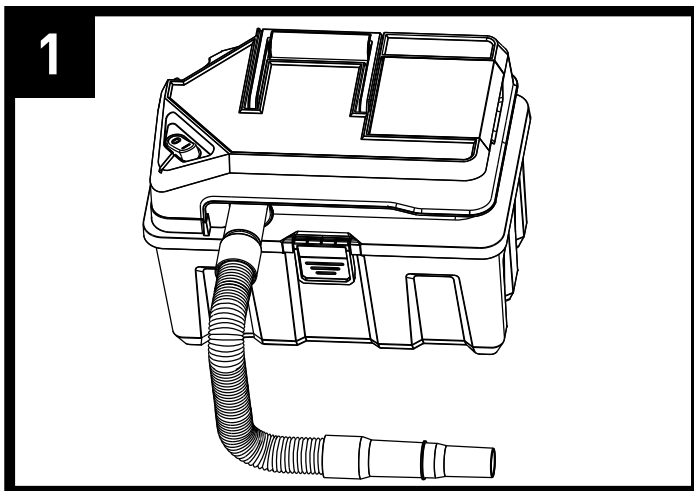
General Assembly

Assembly Preparation

1. Verify that the battery pack is not installed .
2. Un-clip the latches and remove the power head.
3. Take out the contents from the collection tank; make sure you have all accessories as listed on page 9.
4. Your vacuum cleaner comes ready for operation with a cartridge filter pre-installed. If the cartridge filter is not installed, refer to page 12 for filter installation instructions.

Installing & Removing the Suction Hose

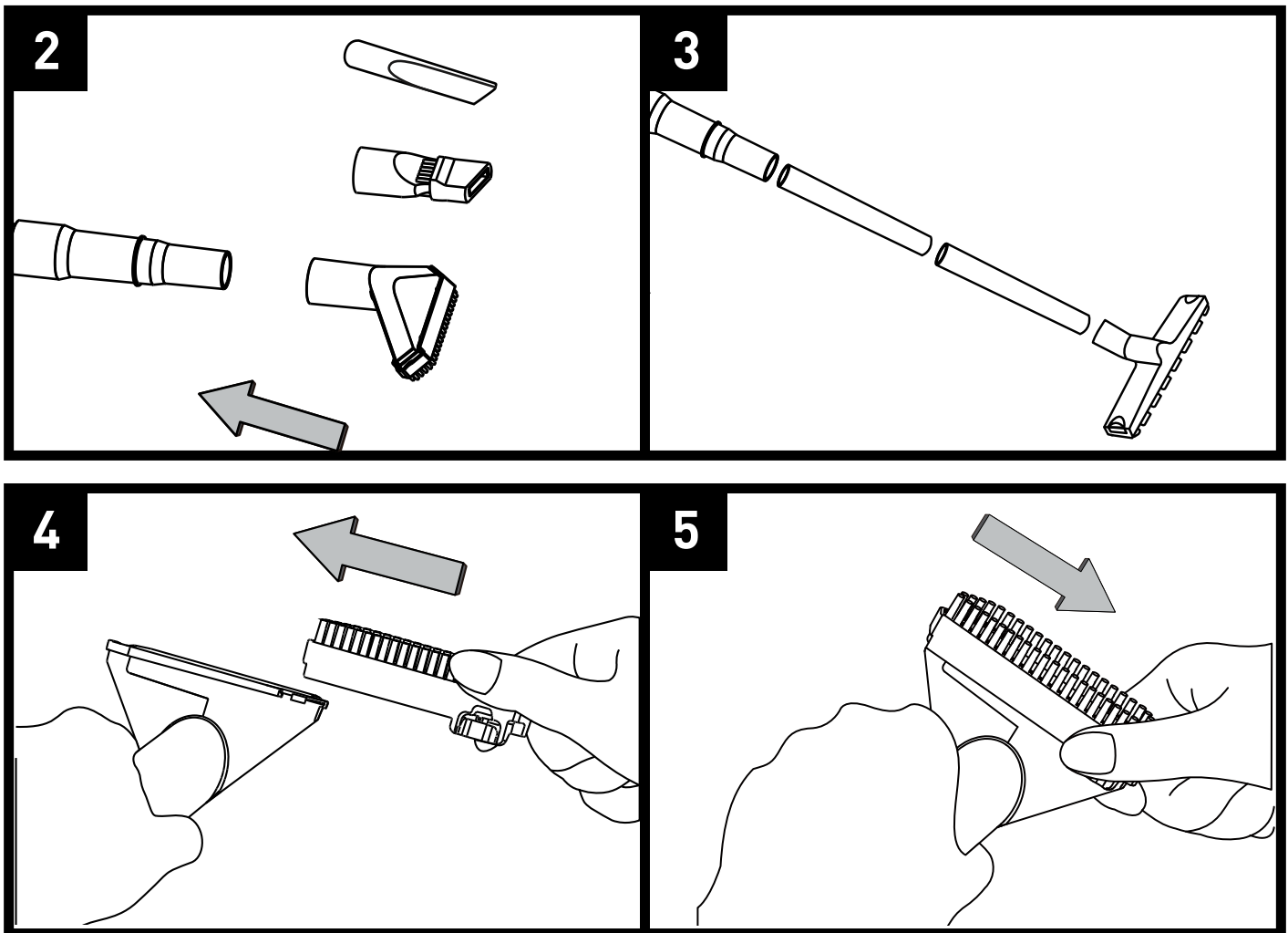
1. Remove the smaller end of the hose from the storage position (Fig. 1).
2. Ensure the other end of the hose is connected to the suction port.



General Assembly

Installing & Removing Accessories

1. Choose the desired accessories and push fit onto the hose nozzle (Fig. 2 & 3).
2. The utility nozzle can be used as a wet nozzle or a brush upholstery tool. With the nozzle facing upwards, slide the open edge of the adapter onto the utility nozzle until it securely clicks onto the mounting clip (Fig. 4).
3. To remove, press the securing tab and slide the accessory tool off the utility nozzle (Fig. 5).



Installing & Removing Battery Pack

1. Ensure the vacuum cleaner switch is in the '0' OFF position.
2. To insert the battery pack, lift the battery compartment cover and slide the battery along the guide rails, ensuring the battery locks into position.

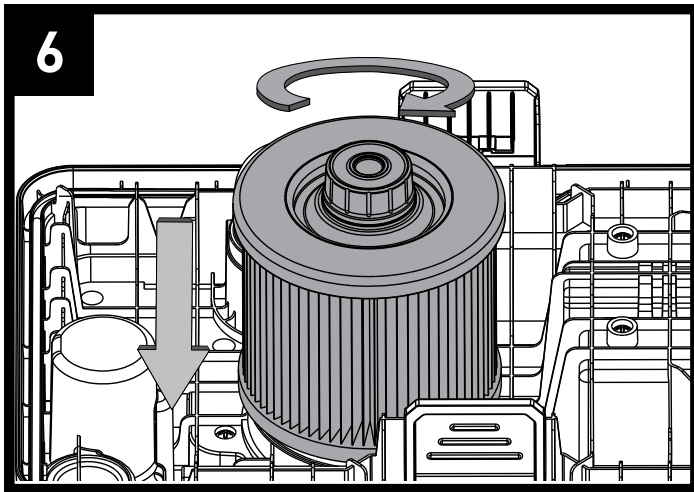
NOTE! Insert and push the battery, ensure the battery is fully installed with a click.

3. To remove the battery pack, power off the vacuum cleaner, activate the release latch on the battery pack and slide the battery out of the compartment.

General Assembly

Installing Washable Cartridge Filter

1. Verify that the battery is removed and remove the power head.
2. Install the cartridge filter over the filter cage; this can only be installed one way. Secure the filter with the retainer nut, turning clock-wise to tighten. Ensure the filter sits flush against the power head forming a tight seal. Be careful not to over-tighten (Fig. 6).



General Operation

Switching ON/OFF

Fully insert the battery into the battery compartment.

Switch position 'I': ON

Switch position 'O': OFF

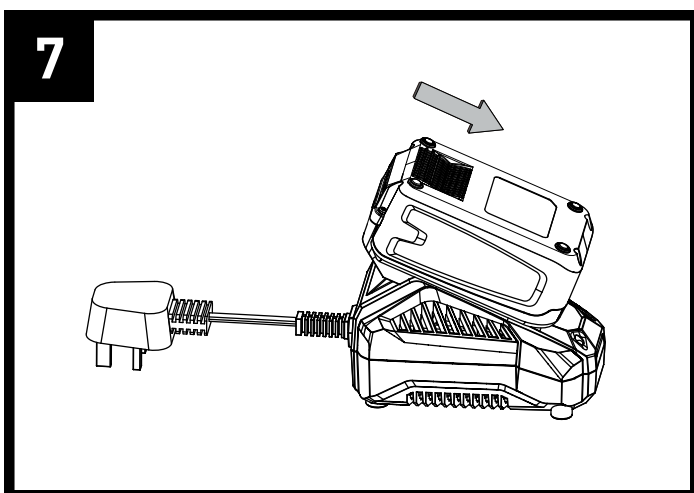
Battery Pack Operation

The battery is equipped with a charge-level indicator panel which indicates its charge condition. This charge-level indicator panel consists of 4 LEDs on the battery. Press and hold the charge indicator button on the battery to view the charge level indicator. The battery charge level can be checked either when the battery is fitted on the vacuum/charger or removed from the vacuum/charger.

LED Indicators on Battery	Battery Capacity
Continuous lighting of 4 LEDs (inc 2 green)	$\geq 75\%$. Fully charged.
Continuous lighting of 3 LEDs (inc 1 green)	50%~75%
Continuous lighting of 2 LEDs (orange & red)	25%~50%
Continuous lighting of 1 LED (red only)	$\leq 25\%$. Recharge required.

Charger Operation

1. Plug the charger into an appropriate AC power outlet.
2. Insert the battery pack along the support rails of the charger (Fig. 7).
3. Once fully charged, press the release button and remove the battery pack from the charger.



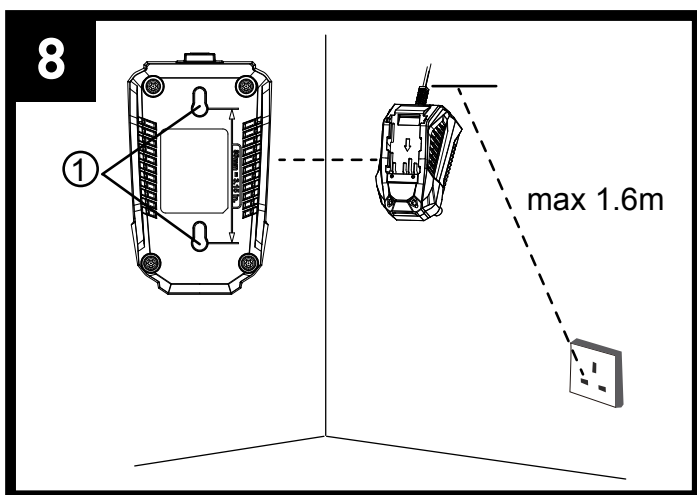
General Operation

Mounting the Charger on Wall

The charger has two mounting holes (1) located on the back of the base, and can be mounted on the wall if required.

NOTE: Attach the charger to wall no further than 1.6m from electrical outlet.

1. Fix 2 screws (dia. 5mm) onto the wall. The distance between the 2 screws is 80mm indicated at the back of the charger. Ensure you use suitable fixings depending on the wall structure. Ensure that no plumbing, electrical cables or wires are located directly behind the mounting area.
2. Align the two mounting holes at the back of the charger with the 2 screws and hang the charger onto the wall as shown (Fig. 8).



Do not use other battery chargers. The battery charger supplied is specifically designed for the lithium-ion battery used in this vacuum.






Check the mains voltage! The voltage of the power supply must correspond with the data on the nameplate of the battery charger. Battery chargers operate on 220-240V AC. Ensure the battery is charged between 4°C and 40°C. This ensures an optimum battery service life.

NOTE! The battery is supplied partially charged. To ensure full capacity of the battery, charge the battery in the battery charger before using your appliance for the first time. The lithium-ion battery can be charged at any time without reducing its service life. Interrupting the charging procedure does not affect the battery.

General Operation

Charger LED

The charger is equipped with a charge-level indicator panel to show the current charging status. The indicator lights on the charger show the charger status:

Symbols	Indicator Lights	Status
	Red, Continuous	Connected to Power Supply (Standby)
	Green, Flashing	Charging
	Green, Continuous	Fully Charged
	Red and Green, Flashing	Extended Charge Cycle. Pre-Charging In Progress.
	Red, Flashing	Technical Issue. See Instructions Below.

A flashing red LED light on the charger indicates that battery pack is defective. Contact after sales support.

The intelligent charger measures the charge level of the battery and charges the battery accordingly with the required current and voltage based on battery temperature and voltage. This ensures maximum battery life. Charge the battery fully before storage.

After continuous or repeated charging cycles without interruption, the charger may warm up. This is normal and does not indicate a technical defect of the battery charger.

Dry & Wet Vacuum Operation

WARNING: BE SURE TO READ, UNDERSTAND, AND APPLY, INFORMATION ENTITLED 'SAFETY SYMBOLS & WARNINGS'.

NOTE! THE FILTERS PROVIDED ARE SUITABLE FOR BOTH WET AND DRY USE VACUUM OPERATION. THE USER IS NOT REQUIRED TO CHANGE THE FILTER FOR EITHER OPERATION. THESE INSTRUCTIONS LISTED ARE VALID FOR BOTH WET AND DRY EXTRACTION.



IMPORTANT! ENSURE THE CARTRIDGE FILTER IS COMPLETELY CLEANED BEFORE SWITCHING BETWEEN DRY AND WET VACUUMING.



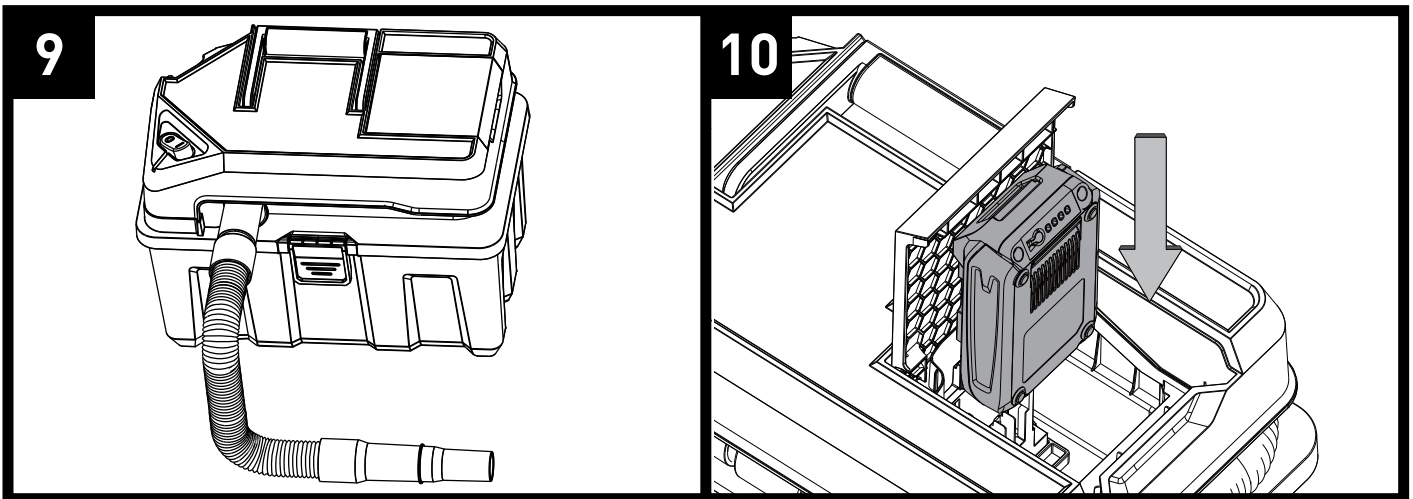
IMPORTANT! ENSURE THE FILTER IS COMPLETELY DRY BEFORE EACH USE TO AVOID BLOCKAGES AND BUILD UP OF DEBRIS.

General Operation

1. Verify that the cartridge filter is securely mounted.
2. Firmly insert the larger end of the hose into the vacuum suction port (Fig. 9).
3. Choose the desired accessories and push the attachment(s) onto the hose nozzle.
4. Fully insert a charged battery pack into the battery compartment (Fig. 10).

NOTE! Insert and push the battery, ensure the battery is fully installed with a click.

5. Turn the motor on by assigning the switch to the 'I' ON position.
6. Once you have completed vacuuming, or when the collection tank is full, turn the motor off by switching to the 'O' OFF position. Empty the collection tank. Clean and dry the inside and outside after each use.

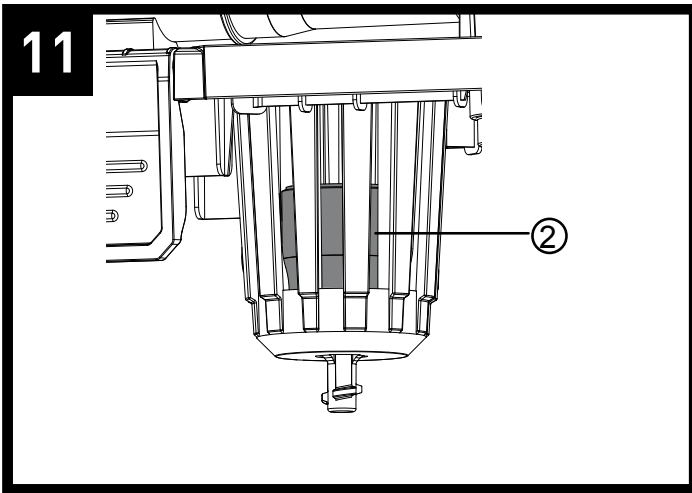


! **IMPORTANT! WHEN WET VACUUMING, ENSURE THE VACUUM CLEANER IS ALWAYS PLACED ABOVE THE HIGHEST LEVEL OF LIQUID TO BE EXTRACTED TO AVOID A SIPHON EFFECT.**

NOTE: If siphon occurs, liquid will escape from collection tank continuously even it is full. Please remove the hose from liquid immediately and power off, then empty collection tank.



IMPORTANT! WHEN VACUUMING LIQUIDS, DO NOT IMMERSE THE NOZZLE COMPLETELY IN THE LIQUID; LEAVE A GAP AT THE TIP OF THE NOZZLE TO ALLOW AIR INFLOW. THE MACHINE IS FITTED WITH A FLOAT VALVE (2) WHICH IS OPERATIONAL DURING WET VACUUMING (FIG. 11). THE SUCTION POWER DECREASES WHEN THE MAXIMUM FILLING LEVEL IS REACHED. YOU WILL NOTICE AN INCREASE IN MOTOR SPEED AND A HIGHER PITCHED OPERATIONAL NOISE. WHEN THIS HAPPENS, SWITCH THE VACUUM OFF IMMEDIATELY. REMOVE THE POWER HEAD, AND DRAIN THE LIQUID INTO A SUITABLE RECEPTACLE OR DRAIN. TO CONTINUE VACUUMING, REFIT THE POWER HEAD TO THE COLLECTION TANK.



Blower Operation

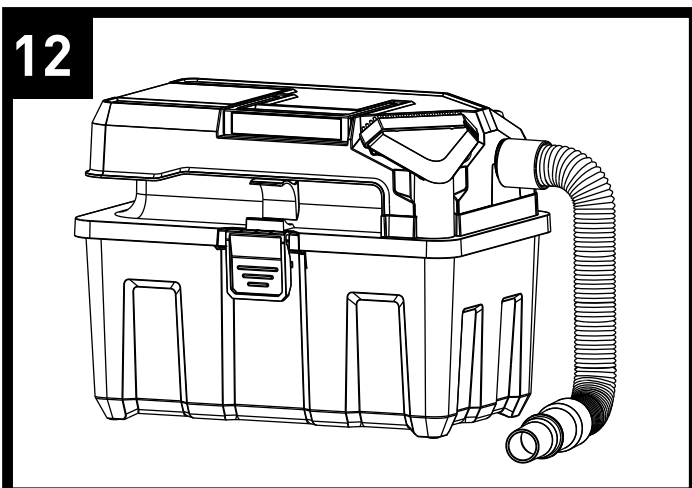


WARNING: KEEP BYSTANDERS CLEAR FROM BLOWING DEBRIS.



WARNING: WEAR A DUST MASK IF BLOWING CREATES DUST THAT MIGHT BE INHALED.

1. Make sure the collection tank and any collected waste is emptied before using as a blower.
2. Connect the hose to the blower port located on the side of the vacuum cleaner (Fig. 12).
3. Ensure the hose is securely held. Turn the motor on by assigning the switch to the 'I' ON position.



Maintenance



WARNING: ALWAYS SWITCH THE PRODUCT OFF AND REMOVE THE BATTERY PACK BEFORE PERFORMING ANY MAINTENANCE.

General Maintenance

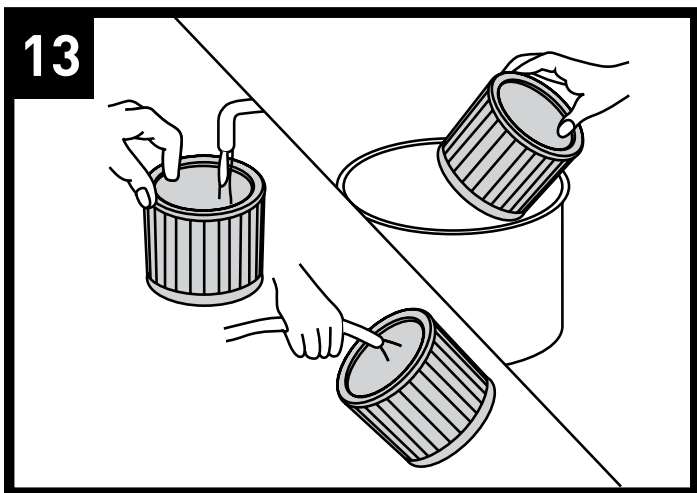
1. Keep all safety devices, air vents and the motor housing free of dirt and dust. Use a soft, dry brush to clean the equipment regularly.
2. Clear all dirt or debris from the collection tank and clean with mild soap and water. Allow to dry before replacing the power head. Do not use cleaning agents or solvents; these may damage the appliance.
3. Check the hose and all attachments to verify that they have not been damaged or any debris is trapped and blocking airflow.
4. The battery should be removed from the machine. Store the appliance in a dry, cool environment away from direct sunlight or heat sources.

Cleaning Washable Cartridge Filter

IMPORTANT: For optimal performance it is recommended to replace the old filter with a new filter regularly. Contact the after sales helpline to replace the filter.

1. Unscrew the retainer nut and pull the cartridge filter away from the internal filter cage.
2. Clean the cartridge filter by gently brushing off any trapped debris (Fig. 13). Rinse the cartridge filter using a mild soap and water solution and rinse with clean water. Allow the filter to air dry before re-installing.

NOTE: Clean the filter from inside to outside with water.



Battery Maintenance

The following maintenance will ensure a long battery life:

1. Protect the battery against moisture and water. Store in a cool dry environment.
2. Store the battery only within a temperature range between 0°C and 25°C. For example, do not leave the battery in a car in summer.
3. Do not leave the battery fitted within the product in direct sunlight.
4. Occasionally clean the venting slots of the battery using a soft, clean and dry brush.
5. A significantly reduced battery working time after a full charge indicates that the battery is worn and should be replaced. Protect the battery against moisture and water. Store in a cool dry environment.

Troubleshooting

 **WARNING: ONLY PERFORM THE STEPS DESCRIBED WITHIN THESE INSTRUCTIONS! ALL FURTHER INSPECTION, MAINTENANCE AND REPAIR WORK MUST BE PERFORMED BY A QUALIFIED SPECIALIST.**

 **WARNING: TO REDUCE THE RISK OF ELECTRIC SHOCK-REMOVE THE BATTERY PACK BEFORE TROUBLESHOOTING.**

Cleaning Performance

Guild cordless vacuum cleaners are robust and tested for endurance. When your motor is operating, then the most likely cause for a loss in suction is a blockage or an opening somewhere in the appliance.

To maintain a high cleaning performance from your machine, it is important to replace or clean cartridge filters as necessary. This can be done with a soft paint brush, being careful not to damage the cartridge filter.

A performance drop with clean filters can only be caused by a blockage in the tools or the hose.


PROBLEM	POSSIBLE CAUSE	SOLUTION
The vacuum cleaner will not operate.	The battery has no capacity.	Charge the battery.
	The battery is not inserted properly.	Insert the battery pack correctly.
	Wrong battery being used.	Be sure to use only the battery and charger supplied with your product.
The vacuum cleaner power is weak.	There is a blockage in the hose, filter or the tank inlet.	Check the hose, filter and tank inlet for blockage.
	The cartridge filter is blocked.	Remove the filter and clean it or install a new filter.
	The collection tank is full.	Empty the collection tank.
	Dirty filter is used for wet vacuuming.	Change to a new filter. Make sure to clean the filter completely after dry vacuuming. Before changing to wet vacuuming, the filter must be cleaned.
	Continuous use for large-volume wet vacuuming and the filter is full of water.	Remove the filter and clean it. Completely dry the filter before re-installing it. Or install a new filter.
	Low battery capacity.	Charge the battery.
	Float valve has closed.	Empty the container of any liquid waste and ensure the float valve located underneath the filter is able to move freely.

Troubleshooting

PROBLEM	POSSIBLE CAUSE	SOLUTION
The vacuum cleaner will not operate.	The battery has no capacity.	Charge the battery.
	The battery may be depleted.	Change the battery.
The dust escapes from vacuum cleaner.	The filter is missing or installed incorrectly.	Check the filter for correct installation.
	The filter is damaged.	Have the damaged part checked by qualified personnel or contact the after sales helpline to replace the filter.
Vacuum has a high pitched operating noise.	Float valve has closed.	Empty the container of any liquid waste and ensure the float valve located underneath the filter is able to move freely.
	There is a blockage in the hose, filter or the tank inlet.	Check the hose, filter and tank inlet for blockage.
Vacuum is accidentally tipped over and no suction power.	Float valve has closed.	Turn the vacuum off and return to the upright position. Wait until the vacuum completely stops and there is no operating sound. Ensure the float valve located underneath the filter is able to move freely.
No charging procedure possible.	The battery contacts are contaminated.	Clean the battery contacts with a clean dry cloth.
	The battery is defective, due to a disconnection in the battery (individual cells).	Replace the battery.
The charge control LEDs do not light up after inserting the mains plug into the socket.	Mains plug of the battery charger is not correctly plugged in.	Fully insert mains plug into the socket outlet.
	Socket outlet, mains cable or battery charger are defective.	Check the mains voltage and if necessary, have the battery charger checked by a qualified service agent.
The indicator light on the charger is red flashing	The battery is defective.	Contact after sales support helpline.
The charger takes more than 2 hours (less than 3.5 hours) to fully charge the battery pack.	The battery temperature is too high/low.	This is normal. As soon as the permitted charging temperature is reached, the charger will charge normally.

Technical Data

Product Model Number	GCLWD10
Rated Voltage	18V d.c.
Tank Volume	10L
Running Time	25 Minutes
Sound Pressure Level (L_{PA})	74dB(A)
Airflow	19~24L/S
Vacuum Pressure	7.5~11kpa
Degree of Protection	IPX4
Suction Hose Length	0.35m-1.2m
Product Size	392.7mm X 235.9mm X 296.0mm
Net Weight (excluding battery)	4.1kg

Charger	
Charger Model Number	20LFC23
Charger Input	220-240V~ 50/60Hz 0.5A
Charger Output	20V--- 2A
Charging Period (Battery Fully Discharged)	2 Hours
Permitted Charging Temperature Range (For Charger)	4°C~40°C
Weight of Charger	0.43kg
Insulation Protection of Charger	

Battery	
Battery Model Number	18LB4027-C
Battery Cell Type	INR18650, Lithium-Ion
Rated Voltage of Battery	18V
Capacity of Battery	4.0Ah
Battery Weight	0.67KG

Replacement Parts List

Replacement filters are available by searching the internet or calling the Aftersales helpline on +44 (0)3303 800 661.

Parts List	Accessories
551346112	2-in-1 Crevice Tool With Brush
951515	Washable Wet/Dry Cartridge Filter
551012109	Crevice Tool
551003109	Extension Wand
551296103	Floor Nozzle
551672105	Adaptable Utility Nozzle
551700102	Battery
211058112	Charger

Guarantee

This product is selected for DOMESTIC USE ONLY and not for business use. This product is guaranteed against manufacturing defects for a period of 24 months. This does not cover the product where the fault is due to misuse, abuse, use in contravention of the instructions, or where the product has been the subject of unauthorised modifications or alterations, or has been the subject of commercial use. In the event of a problem with the product within the guarantee period please contact the after sales helpline. Your statutory rights remain unaffected.

Recycling And Disposal

Recycle unwanted materials instead of disposing of them as waste. All tools, hoses and packaging should be sorted, taken to the local recycling centre and disposed of in an environmentally safe way.

Recycle rather than dispose of unwanted material in landfill whenever possible. The machine must be delivered in rigid packaging to avoid damage during transportation. The packaging and the machine itself are manufactured from recyclable materials and should be disposed of accordingly.

Only dispose of electrical/battery terms in separate collection schemes, which cater for the recovery and recycling of materials contained within. Your cooperation is vital to ensure the success of these schemes and for the protection of the environment.



This marking indicates that this product should not be disposed with other household wastes throughout the EU. The machine must be delivered in rigid packaging to avoid damage during transportation. The packaging and the machine itself are manufactured from recyclable materials and should be disposed of accordingly.



This appliance contains Lithium-ion battery. Do not dispose of batteries in household waste, fire or water. Dispose of batteries in accordance with the local regulations where they will be recycled in an environmentally friendly manner.

Produced in China for Argos Limited, London, EC1N 2HT, UK.
Argos (N.I.) Ltd, Forestside Shopping Centre, Upper Galwally, Belfast, BT8 6FX, UK.

Version 2, Jun 2023