

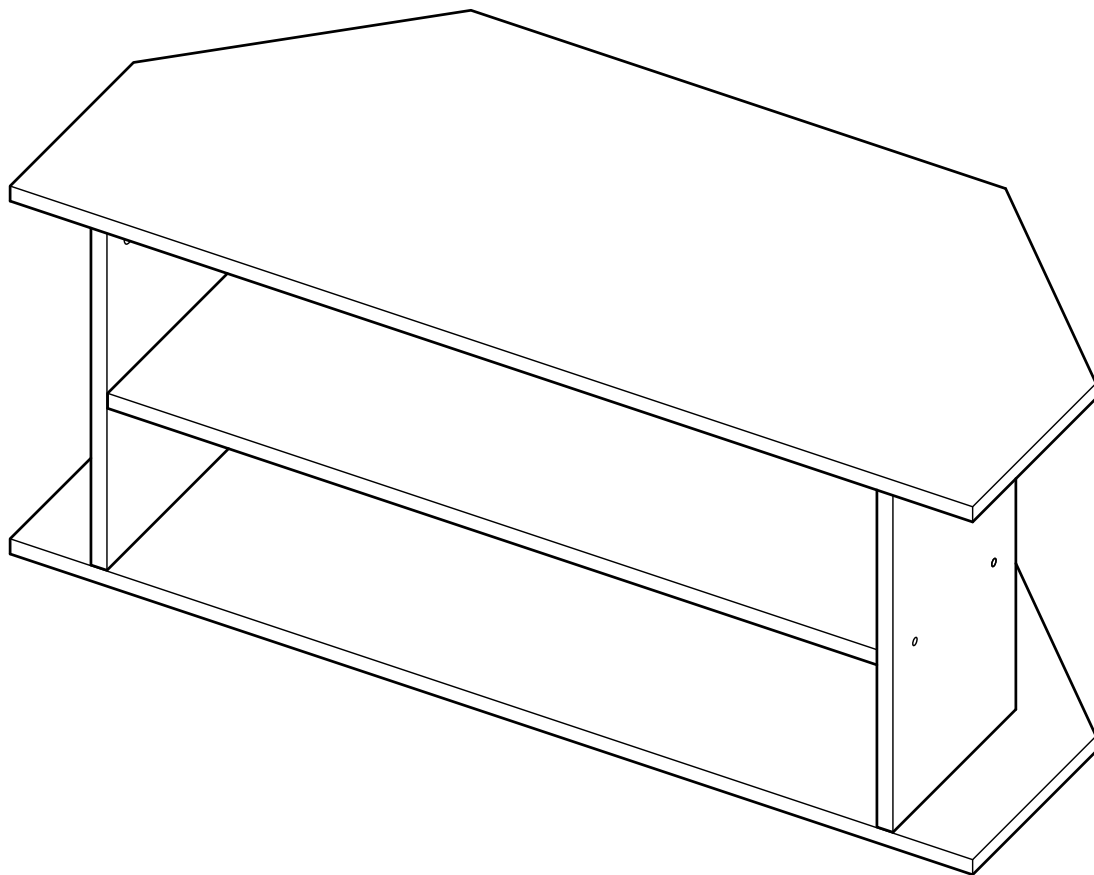
# Large Corner TV Unit

Assembly Instructions - Please keep for future reference

609/5394

609/5404

609/5411



## Dimensions

Width - 90cm  
Depth - 40cm  
Height - 38cm

**Important** - Please read these instructions fully before starting assembly

If you need help or have damaged or missing parts, call the **Customer Helpline: 08456 400800**



# Safety and Care Advice

## Important - Please read these instructions fully before starting assembly

- Check you have all the components and tools listed on page 2 and 3.
- Remove all fittings from the plastic bags and separate them into their groups.
- Keep children and animals away from the work area, if small parts are swallowed, it can cause choking.
- Make sure you have enough space to layout the parts before starting.

- Do not stand on the unit, this could cause damage.
- Assemble the unit as close to its final position (in the same room) as possible.
- Assemble on a soft level surface to avoid damaging the unit or your floor.
- Parts of the assembly will be easier with 2 people.
- Do not use this unit if any components are missing or damaged.



- We do not recommend the use of power drill/drivers **for inserting screws**, as this could damage the unit. Only use hand screwdrivers.
- Dispose of all packaging carefully and responsibly.

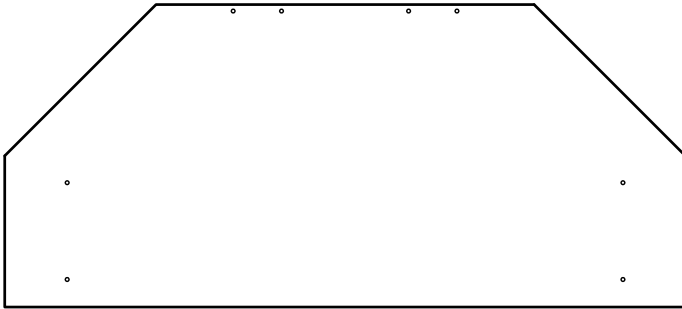
## Care and maintenance

- Only clean using a damp cloth and mild detergent, do not use bleach or abrasive cleaners.
- From time to time check that there are no loose screws on this unit.
- This unit should not be discarded with household waste. Take to your local authority waste disposal centre.

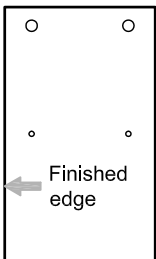
**Note:** If required the next page can be cut out and used as reference throughout the assembly. Keep this page with these instructions for future reference.

# Components - Panels

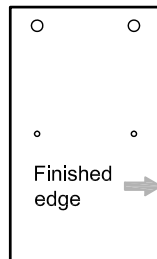
Please check you have all the panels listed below



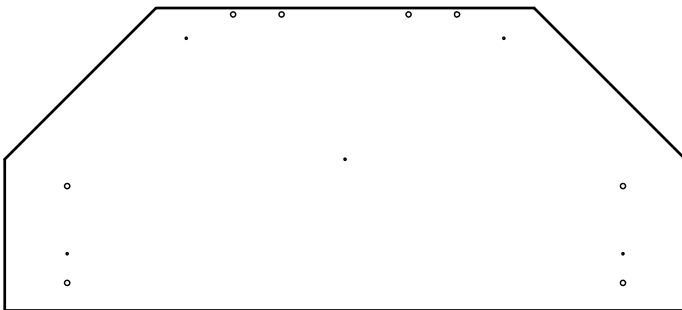
**1** Top panel (90 x 40cm)



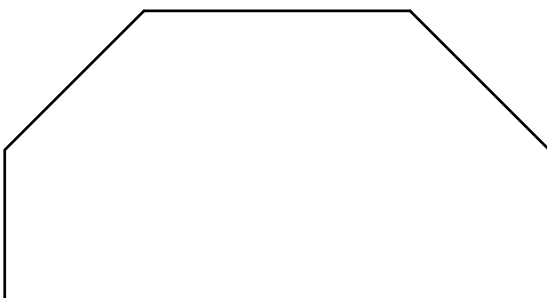
**2** Left side panel (33.5 x 19.9cm)



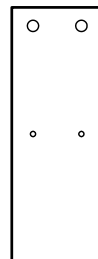
**3** Right side panel (33.5 x 19.9cm)



**4** Bottom panel (90 x 40cm)



**5** Middle panel (72 x 38.2cm)



**6** Back panel x 2 (33.5 x 12cm)

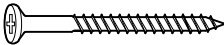



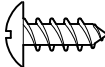



# Components - Fittings

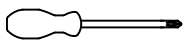
If you have damaged or missing components, call the **Customer Helpline: 08456 400800**

Please check you have all the fittings listed below

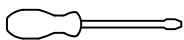
**Note:** The quantities below are the correct amount to complete the assembly. In some cases more fittings may be supplied than are required.

<b>A</b>  57mm Screw x 16	<b>B</b>  Plastic plug x 4	<b>C</b>  Locking pin x 8
<b>D</b>  Locking nut x 8	<b>E</b>  17mm Screw x 5	<b>F</b>  Feet x 5

## Tools required

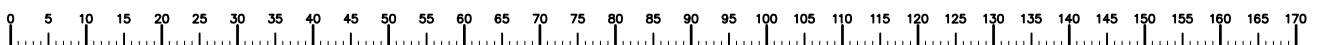


Phillips screwdriver  
(medium & large)



Flatblade screwdriver  
(medium)

Ruler - Use this ruler to help correctly identify the screws

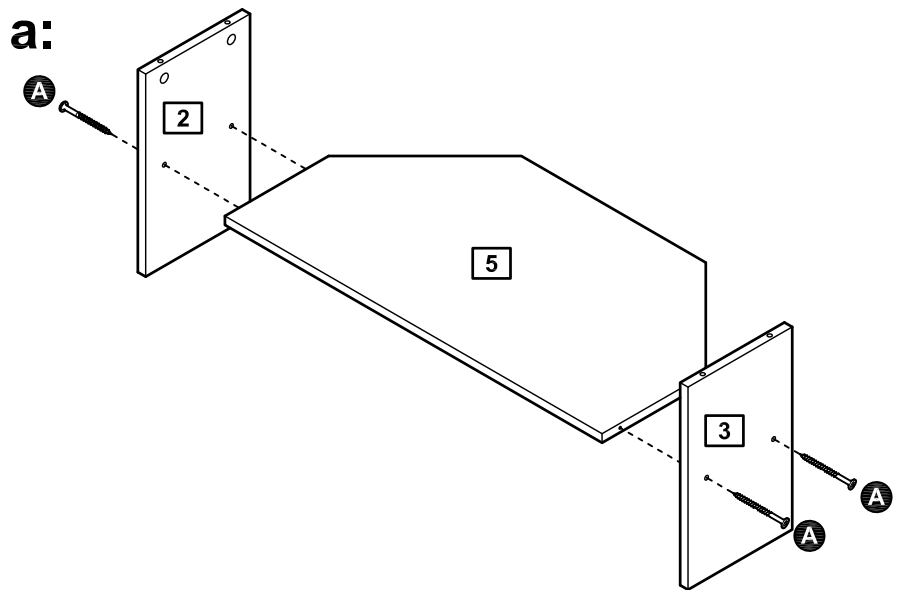


# Assembly Instructions

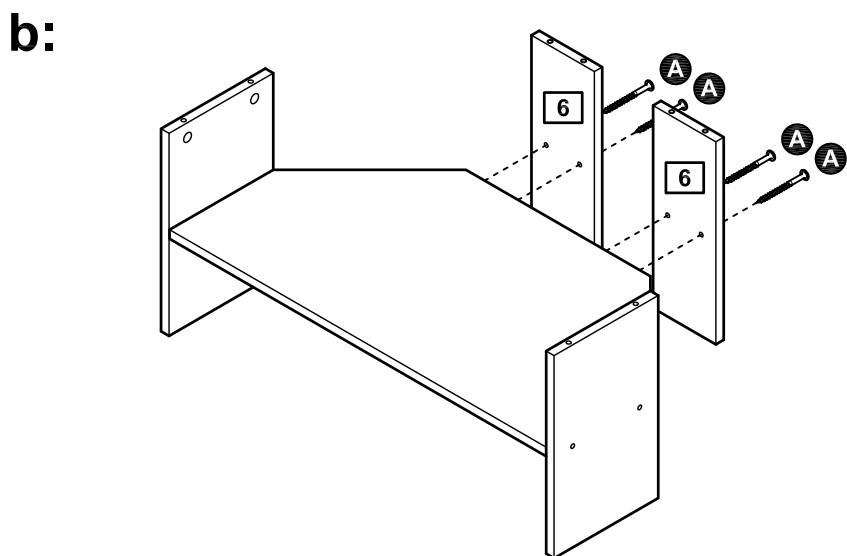
## Step 1

### Fitting the side panels

**a:** Use screws **A** to fix left side panel **2** and right side panel **3** onto middle panel **5**.



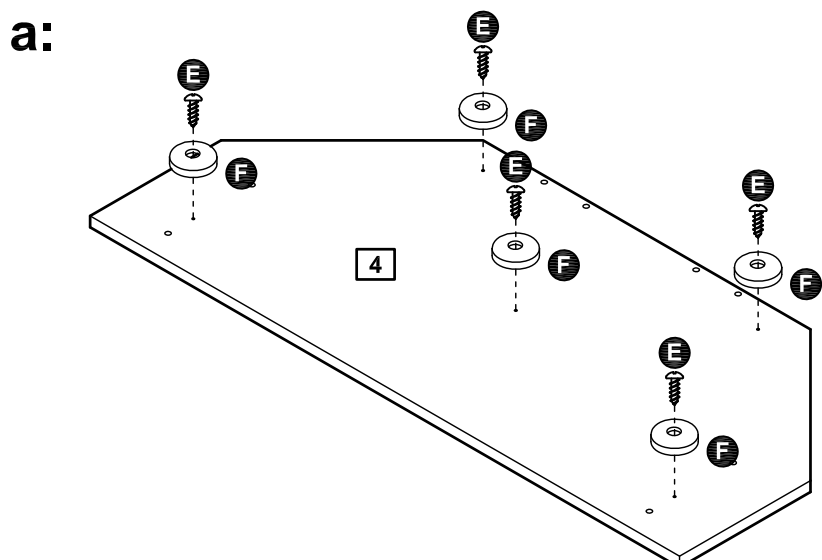
**b:** Use screws **A** to fix back panels **6** onto the unit.



## Step 2

### Fitting the bottom panel

**a:** Use screws **E** to fix feet **F** onto bottom panel **4**.

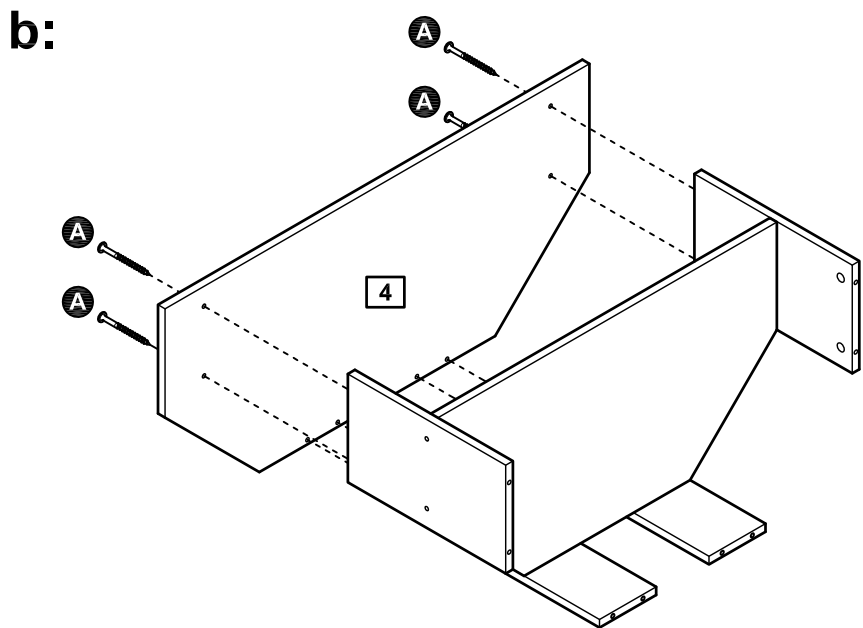


Continued on next page.

# Assembly Instructions

## Step 2 - continued

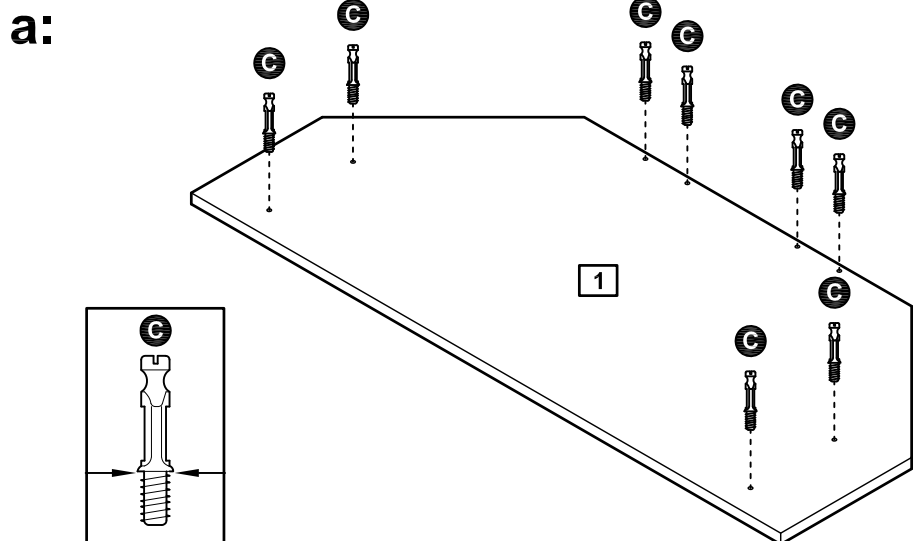
**b:** Use screws **A** to fix bottom panel **4** onto the unit.



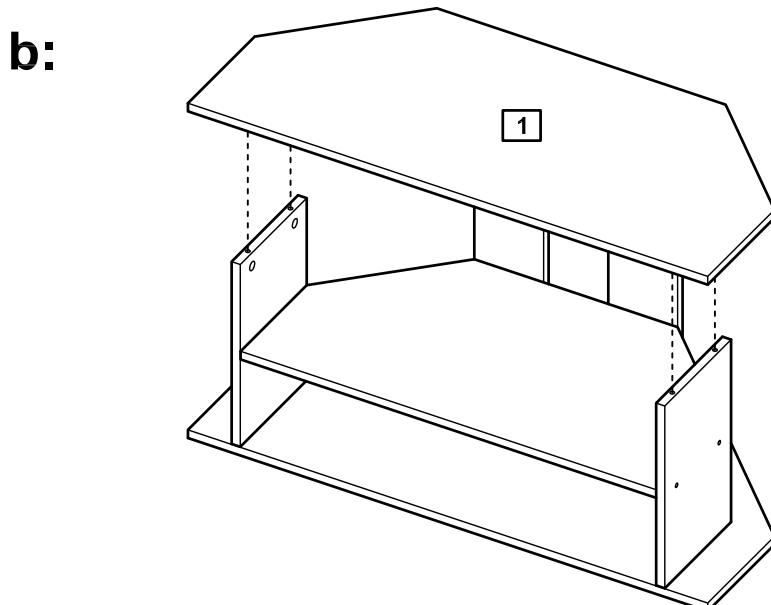
## Step 3

### Fitting the top panel

**a:** Screw locking pins **C** into top panel **1**.  
Note: Fit the locking pins **C** to the depth shown in the detailed view.



**b:** Carefully place the top panel **1** onto the unit.



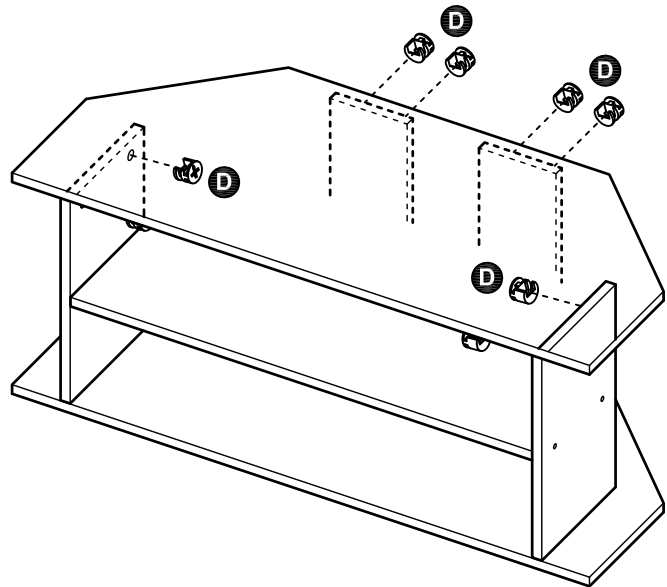
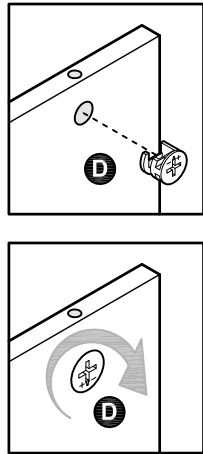
Continued on next page.

# Assembly Instructions

## Step 3 - continued

**C:** Insert locking nuts **D** into the unit, then use a screwdriver to turn locking nuts **D** clockwise to lock as shown in the two detailed views.

**C:**

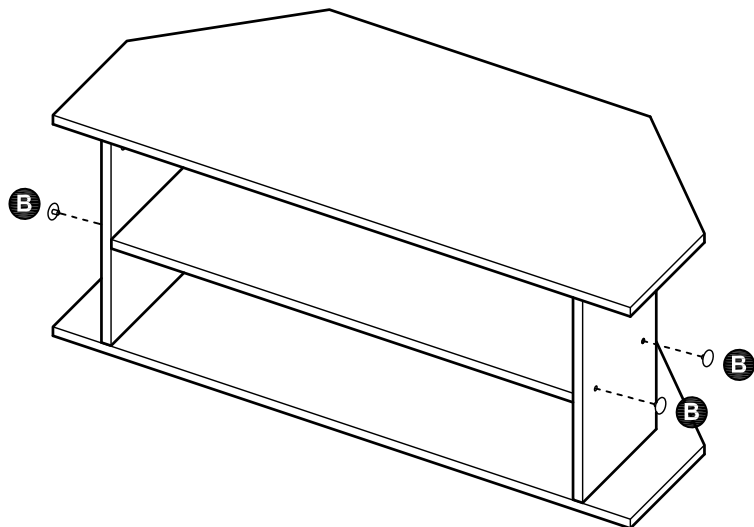


## Step 4

**Finish the unit**

**a:** Use plastic plugs **B** to cover the screw heads.

**a:**



**Assembly is complete.**

If you need help or have damaged or missing parts, call the **Customer Helpline: 08456 400800**