

habitat

ASSEMBLY & USE INSTRUCTIONS 4FT GREEN MIXED CASHMERE TREE

THESE INSTRUCTIONS ARE FOR YOUR SAFETY. PLEASE STUDY ALL INSTRUCTIONS AND WARNING LABELS BEFORE USING AND RETAIN FOR FUTURE REFERENCE.

Caution

- 1) **PRODUCT IS INTENDED FOR INDOOR USE ONLY**
- 2) This product is not designed for permanent or long term use.
- 3) Do not use this product for any other purpose than its intended use.
- 4) Do not allow the product near/ in contact with a source of heat or flame, e.g. gas or electric heaters, fireplaces, candles or other similar heat sources.
- 5) Unplug the light chain (if any) when leaving the house, when retiring for the night, or if unattended.
- 6) This product is for decoration use only, not to be used by children as a toy. Watch over them when near the tree.
- 7) Ensure tree is stable, place on a firm and level surface, away from where it may be knocked. Do not overload with excessively heavy decorations.
- 8) Artificial trees are made from small fibres and have small parts which may pose a choking hazard detached from the branches. Keep out of reach of small children and pets.

No tools required for assembly.

Before You Start

- 1) Study the "Caution" section carefully.
- 2) Decide on an appropriate location for your product, make sure that you have plenty of space, a level surface and a clean dry area for assembly and location. Always try to assemble the product as close as possible to the intended location.
- 3) Check the pack and make sure you have all of the parts.
- 4) Remove all plastic bags and dispose of safely.
- 5) Retain the instructions for future use.

Assembly

- 1) Choose a location where the tree is to be displayed. **Take the tree out of its packaging.**
- 2) Take out the tree bottom section, lift it up and push the legs into the corresponding slots (as per **Fig.1**) until they click into position.

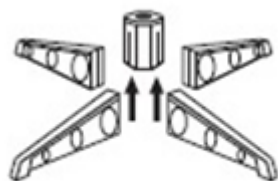


Fig.1

- 3) Now insert the tree top into the bottom section, **as shown in Fig.2.**

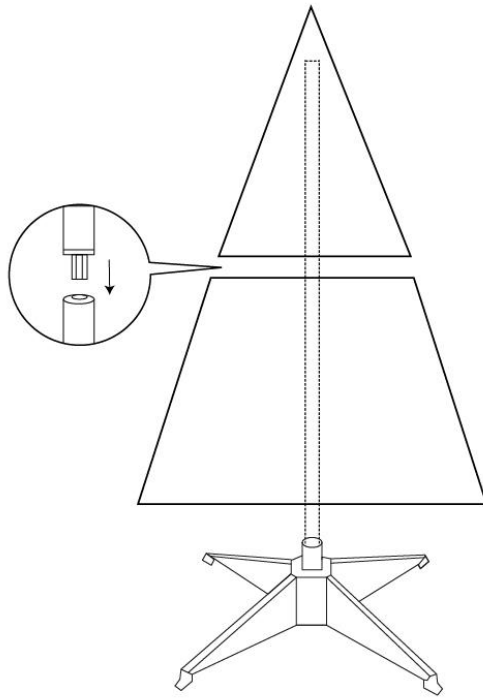


Fig.2

- 4) Finally shape the tree by arranging the tips on the branches to give the desired effect. Some tree styles have “side branches” attached to the main branch stem that require additional shaping as shown in **Fig.3**. After shaping the tree, the finished look should be natural and full.



Fig.3

Care & Use

- 1) Before using or re-using, inspect the product carefully. Throw away the products if any parts are damaged and have sharp points and edges.
- 2) Before storing the product, carefully remove the product from wherever it is placed to avoid undue strain or stress on the product conductors, connections and wires.

Storage

Before storage, please repack the product as follows to avoid damage.

- 1) If you've attached the light string to the tree, unplug it from the power supply and remove the lights from the tree.
- 2) Remove all decorations from the tree.
- 3) Gather the branches upwards and secure them in place.
- 4) Gently lift off the top section and remove the tree legs from the tree base.
- 5) Carefully place the tree in its box and tape it shut. STORE THE PRODUCT IN A COOL AND DRY LOCATION PROTECTED FROM SUNLIGHT AND WHERE THE TEMPERATURE DOES NOT EXCEED 40°.

Made in China for Habitat Argos Limited,
 489-499 Avebury Boulevard, Milton Keynes, MK9 2NW.
 Argos(N.I.) Ltd, Forestside Shopping Centre, Upper
 Galwally, Belfast, United Kingdom, BT8 6FX. Argos
 Distributors(Ireland) Limited, Unit 7, Ashbourne Retail
 Park, Ballybin Road, Ashbourne, County Meath, Ireland.