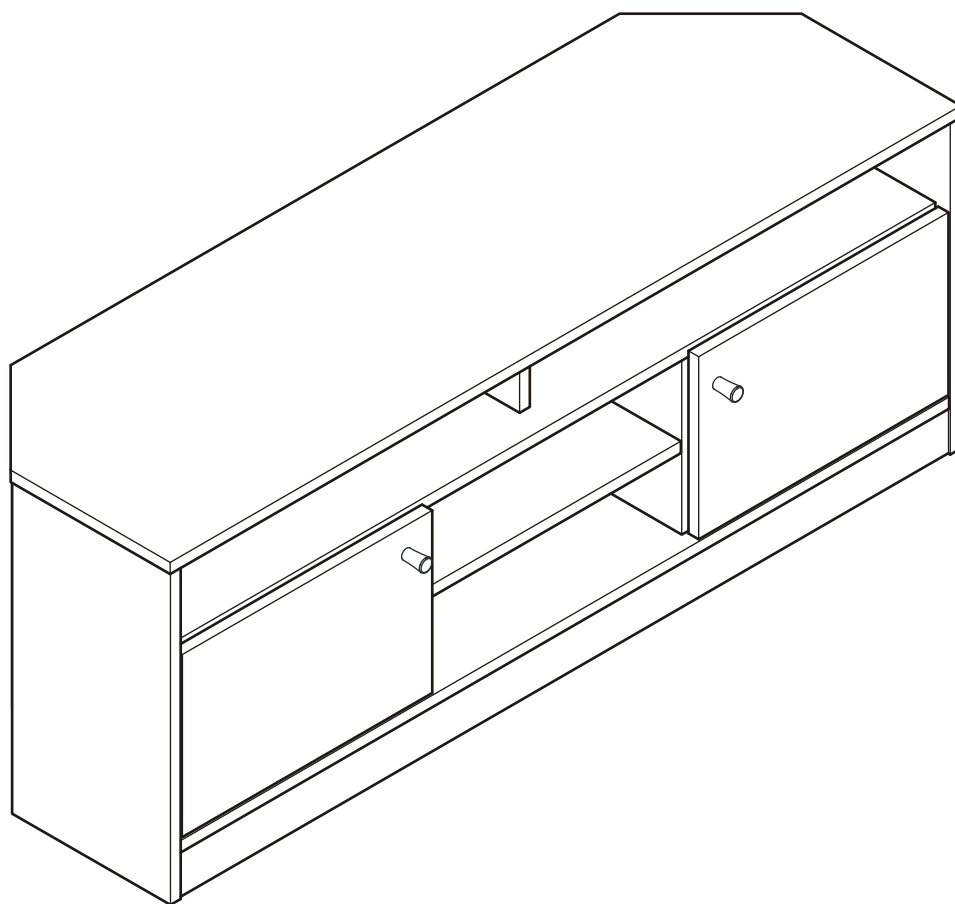



# Corners Large TV Unit




## Spare Parts

 [www.argos-support.co.uk](http://www.argos-support.co.uk)

 [Help@ClickSpares.co.uk](mailto:Help@ClickSpares.co.uk)

 0370 112 1928

## Customer Support

 0345 640 2020



# Safety and Care Advice

---

## Product Details

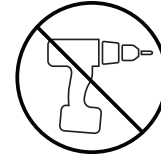
Corners 2 Door TV Unit White 9583119  
Corners 2 Door TV Unit Black 9601503  
Corners 2 Door TV Unit Oak 9525407

## IMPORTANT, RETAIN FOR FUTURE REFERENCE: READ CAREFULLY.

- Keep children and animals away from the work area, small parts could choke if swallowed.
- Make sure you have enough space to layout the parts before starting.

This product has been constructed to be used in the domestic environment only and not for commercial purposes.

- Assemble the item as close to its final position (in the same room) as possible.
- Assemble on a soft level surface to avoid damaging the unit or your floor.



We do not recommend the use of power drill/drivers for inserting screws as this could damage the unit. Only use hand screwdrivers.

- Parts of the assembly will be easier with 2 people.
- Dispose of all packaging carefully and responsibly.

## Care and maintenance

---

- Only clean using a damp cloth and mild detergent. Do not use abrasive cleaners.
- Use a dry cloth to clean the product, furniture polish is not recommended.

From time to time check that there are no loose screws, nuts or bolts. If there are please re-tighten.

- This product should not be discarded with household waste. Take to your local authority waste disposal centre.

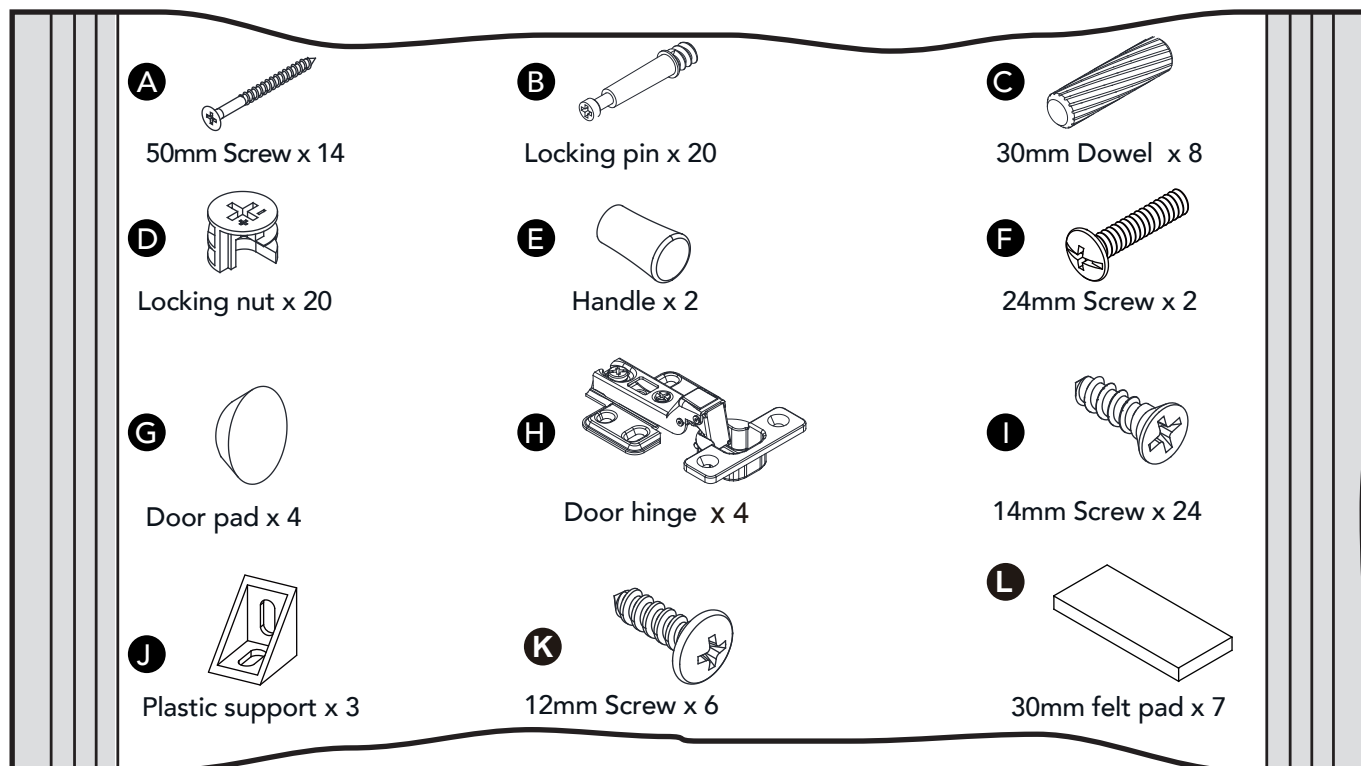
## Additional Guidance

---

- Assemble all parts and bolts loosely during assembly, only once the product is complete should you fully tighten the bolts.
- Regularly check and ensure that all bolts and fittings are tightened properly.
- This product is compliant EN12521 : BS4875-7 : EN14749

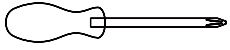
# Fittings (Shown to scale)

## Bag 1

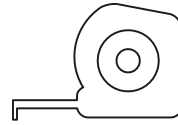


# Tools required

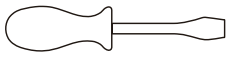
---



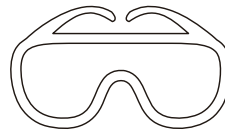
Phillips screwdriver  
(small & medium)



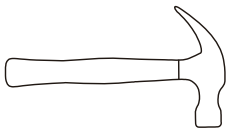
Ruler/tape  
measure



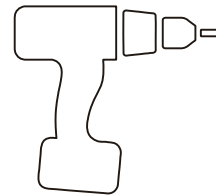
Phillips screwdriver  
(small & medium)



Eye protection  
(when using a  
hammer or glue)



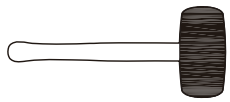
Large hammer



Power Drill



Pencil

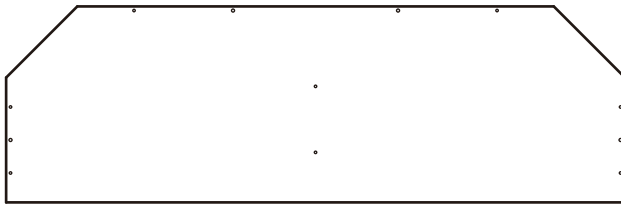


Mallet



Drill Heads

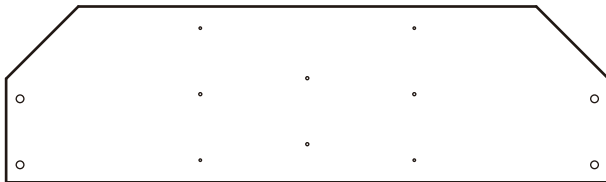
# Panels



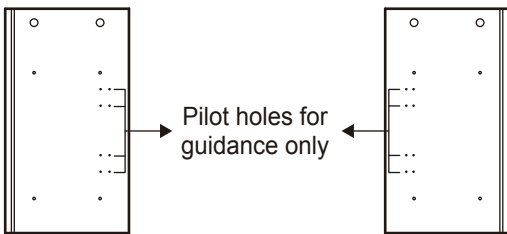
**1** Top panel (120 x 38cm)



**2** Bottom panel (116.8 x 36.2cm)

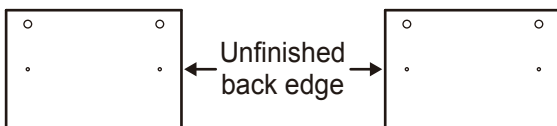


**3** Middle panel (116.8 x 34.6cm)



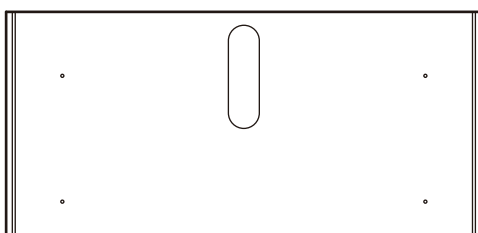
**4** Right side panel  
(24 x 43.5cm)

**5** Left side panel  
(24 x 43.5cm)



**6** Right support  
(34.5 x 22.9cm)

**7** Left support  
(34.5 x 22.9cm)



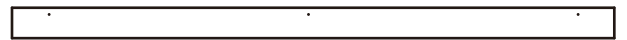
**8** Back panel (92.2 x 43.6cm)



**9** Middle support (19.8 x 11.7cm)



**10** Shelf panel (40 x 34.4cm)



**11** Front panel (116.8 x 5.9cm)



**12** Right door panel (37.9 x 24cm)

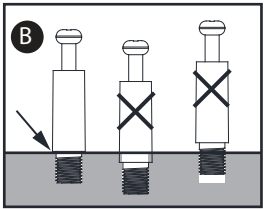
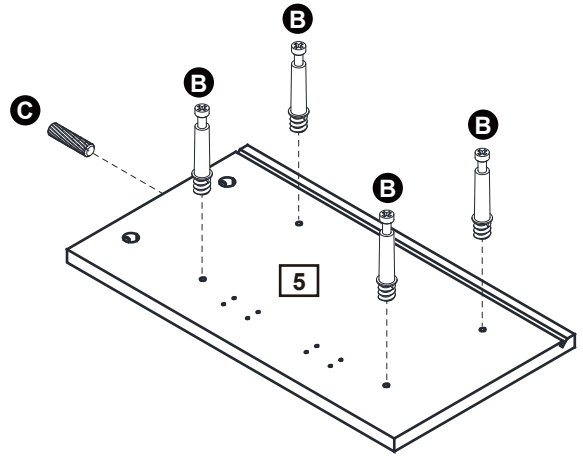
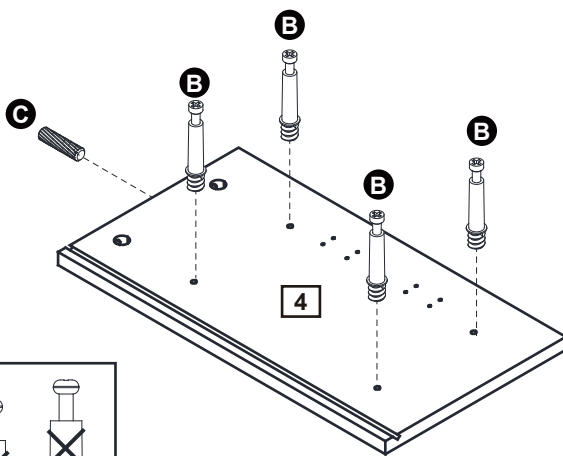
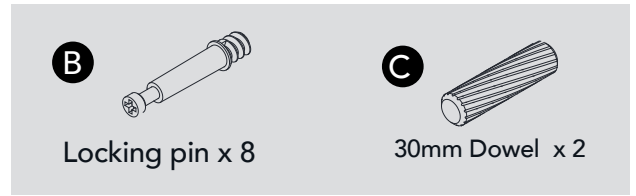
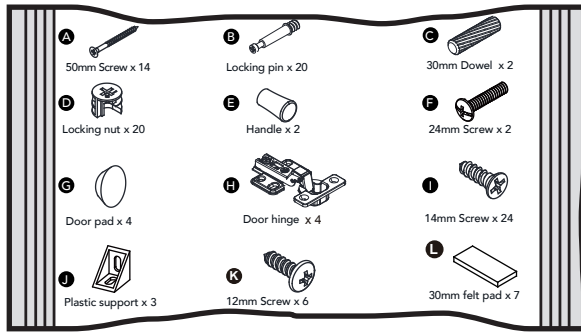


**13** Left door panel (37.9 x 24cm)

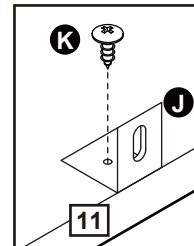
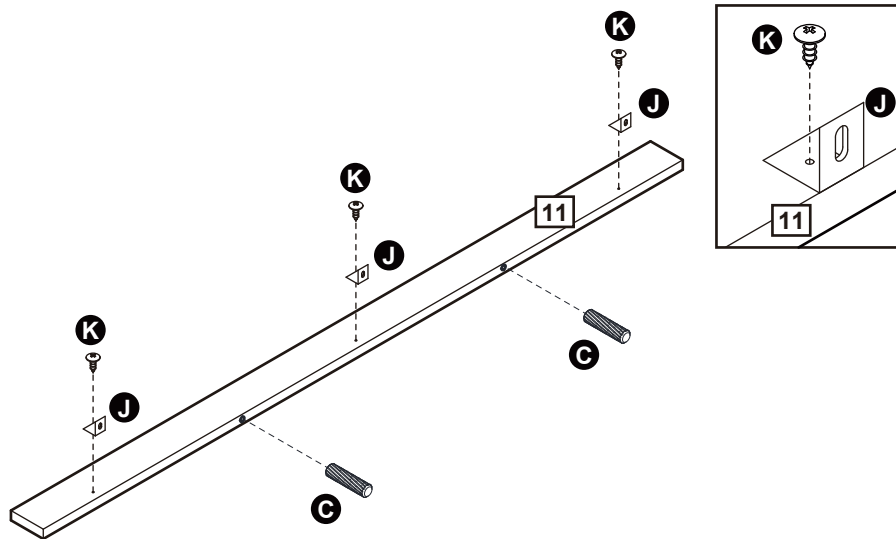


**14** Small back panel x 2 (36.1 x 20.5cm)

# 1

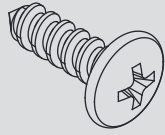


# 2

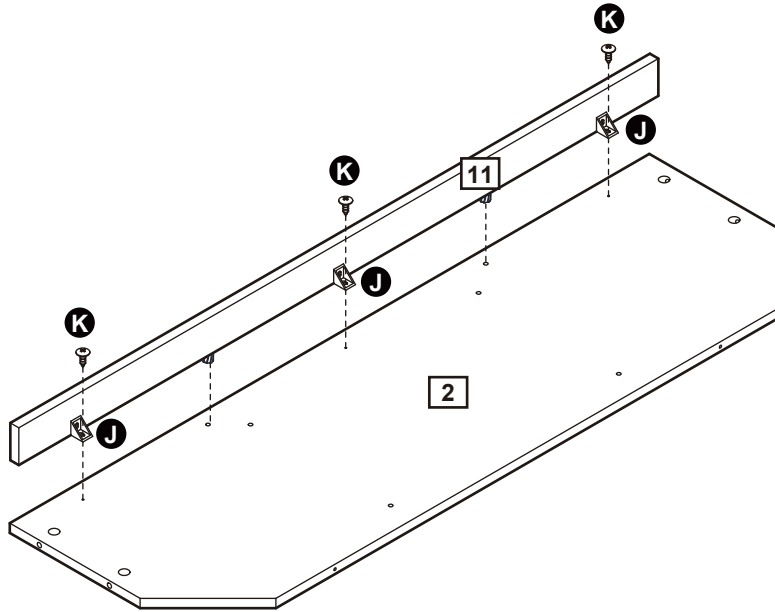


# 3

**K**

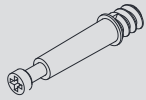


12mm Screw x 3

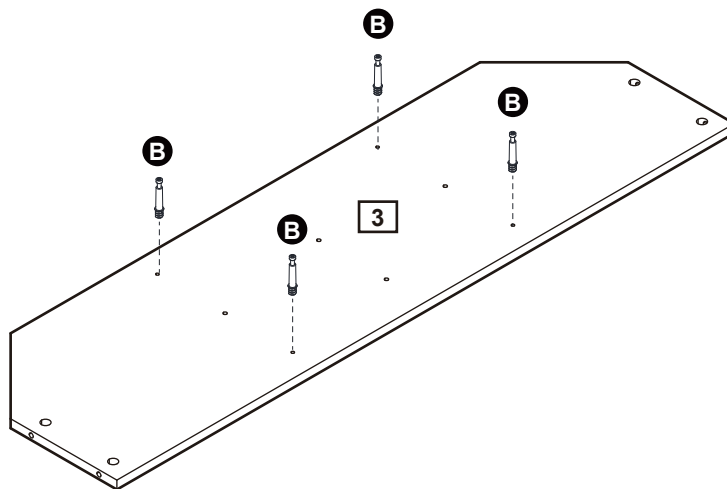


# 4

**B**

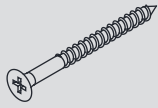


Locking pin x 4

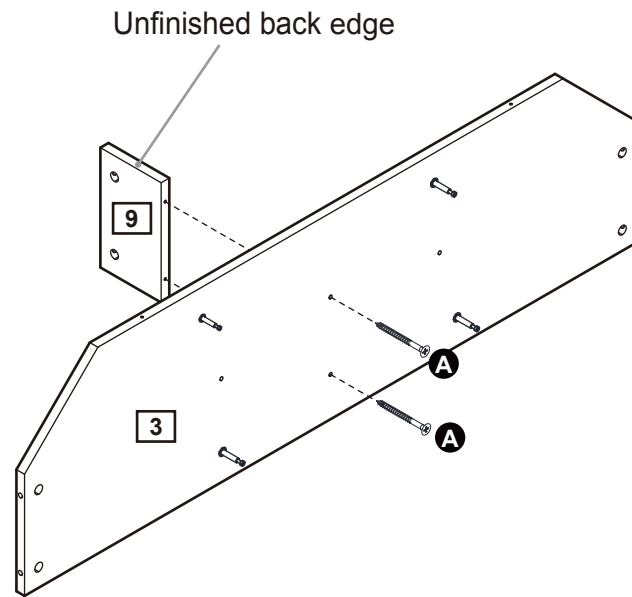


# 5

**A**

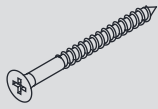


50mm Screw x 2



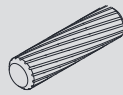
# 6

**A**

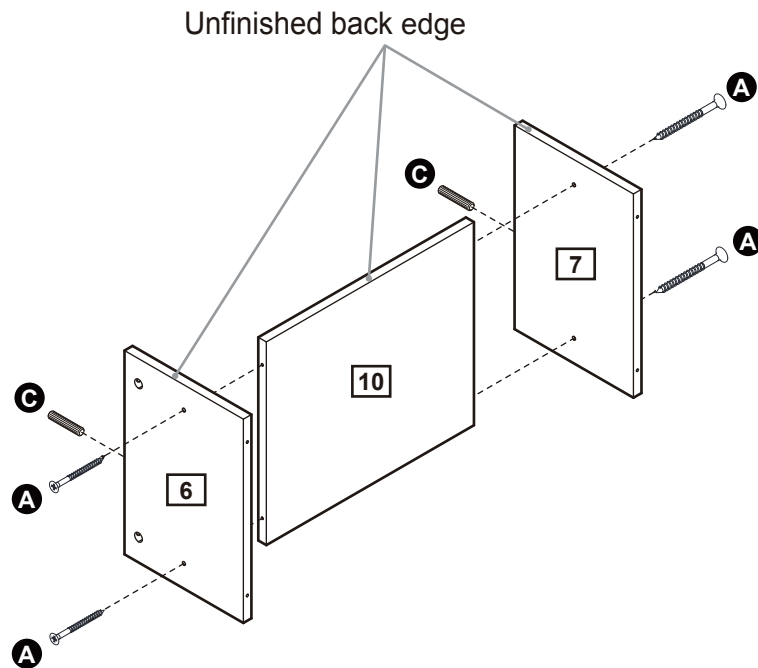


50mm Screw x 4

**C**



30mm Dowel x 2



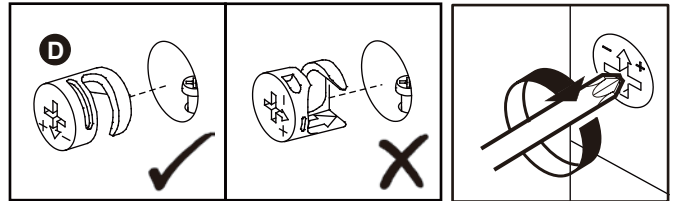
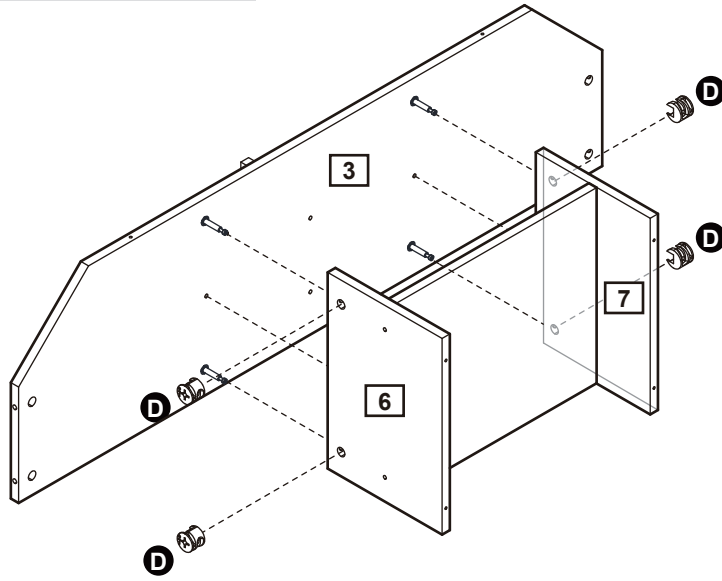


# 7

**D**

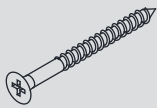


Locking nut x 4

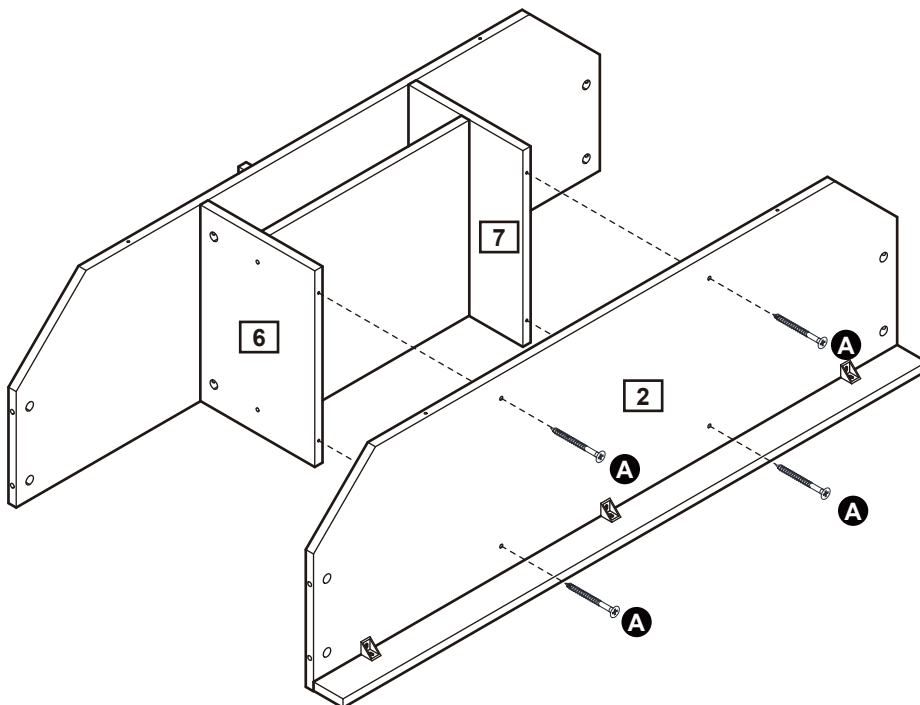


# 8

**A**



50mm Screw x 4

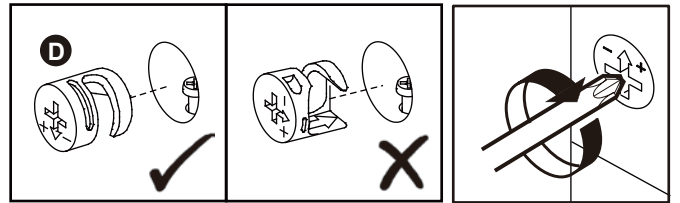
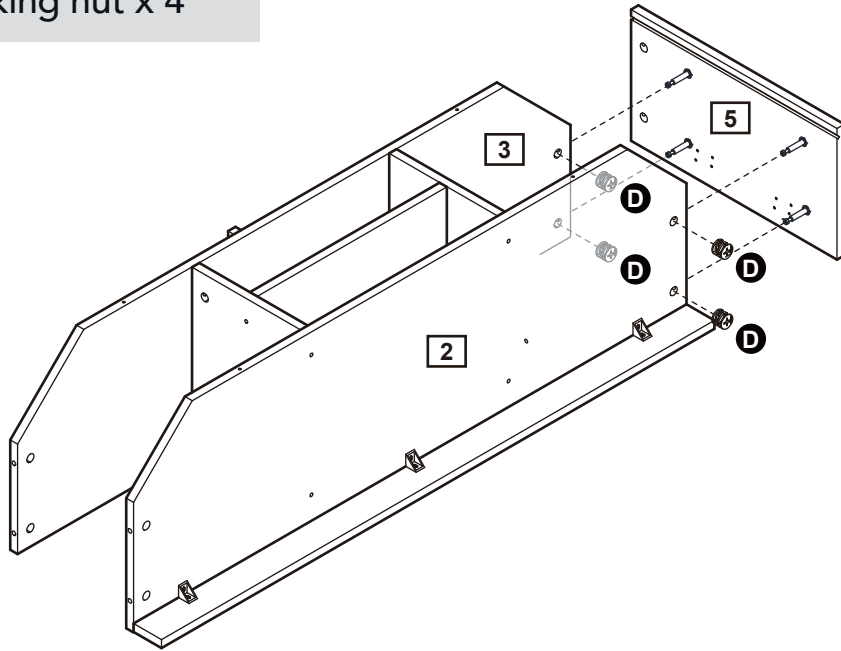


# 9

D



Locking nut x 4

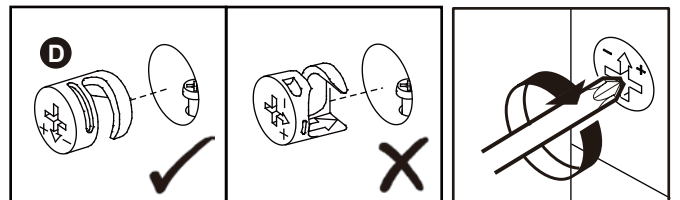
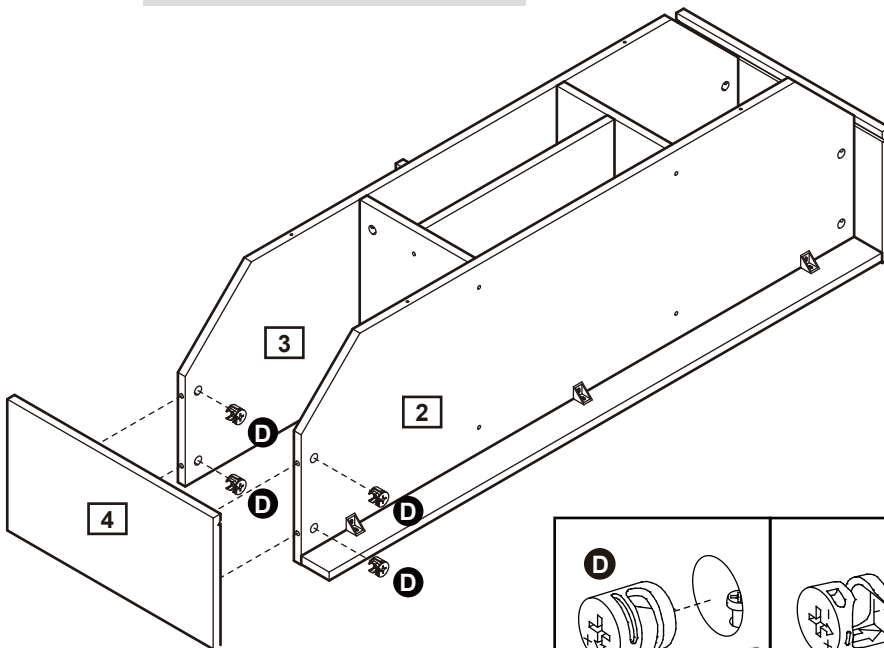


# 10

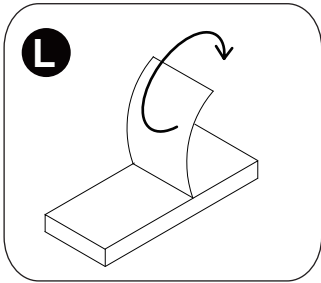
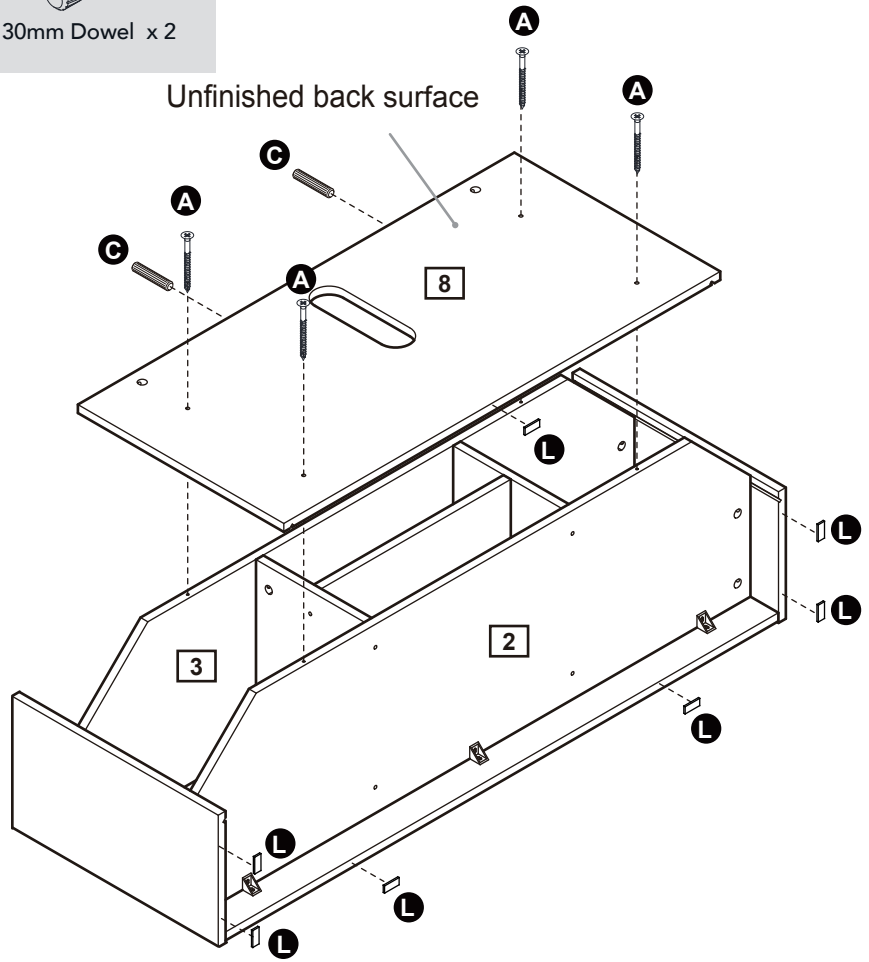
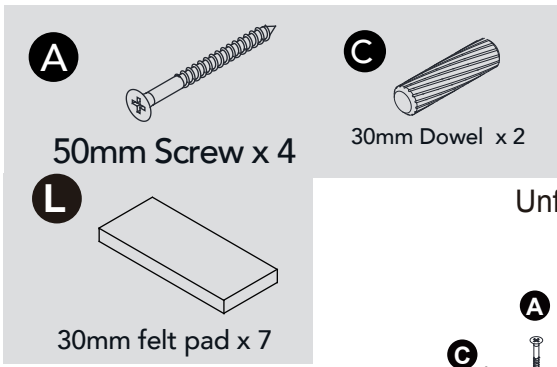
D



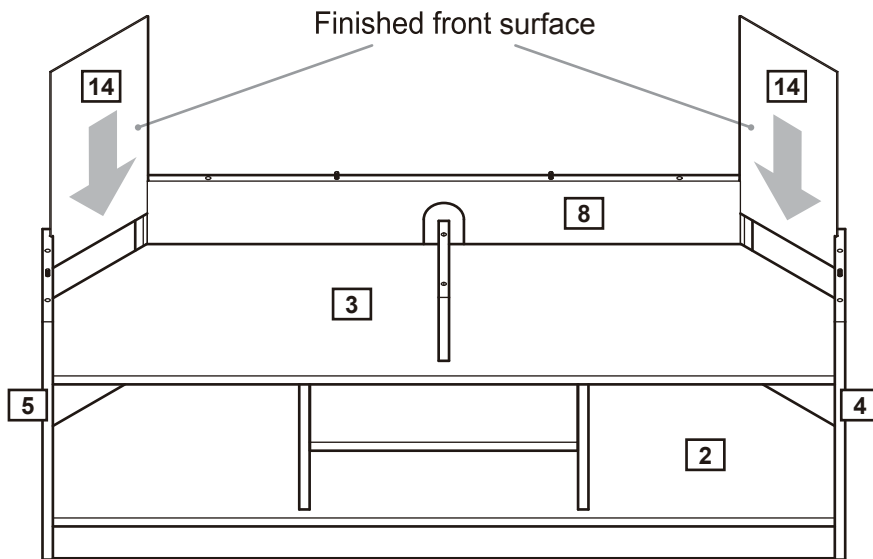
Locking nut x 4



# 11

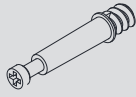


# 12

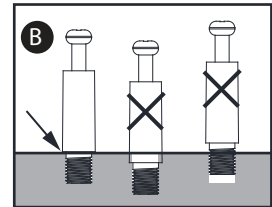
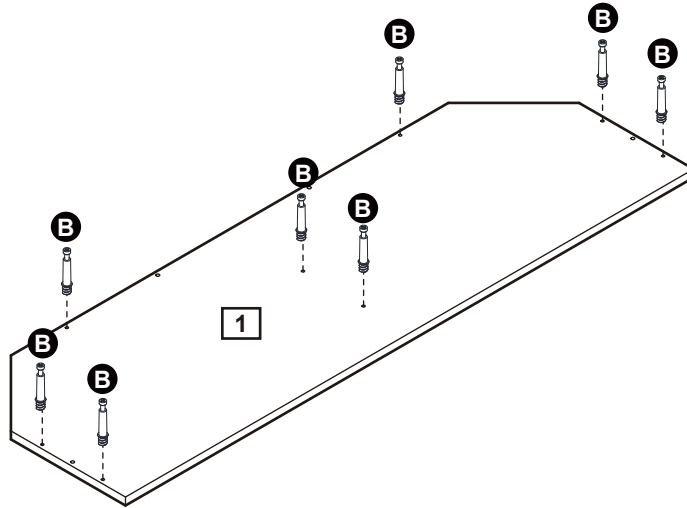


# 13

**B**



Locking pin x 8

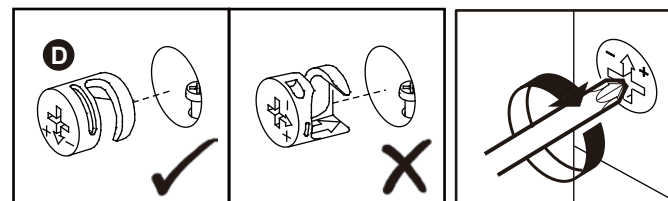
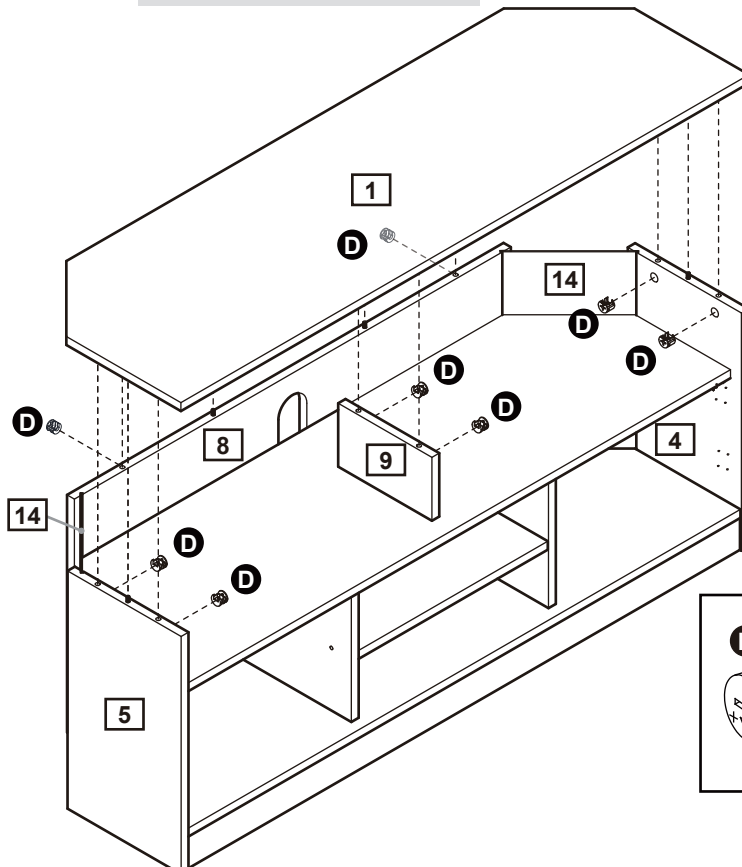


# 14

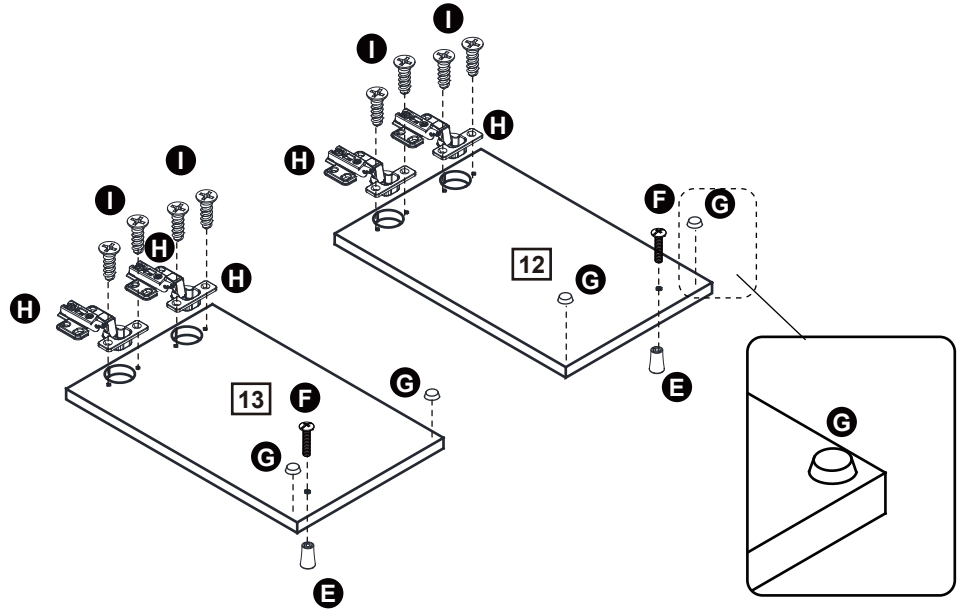
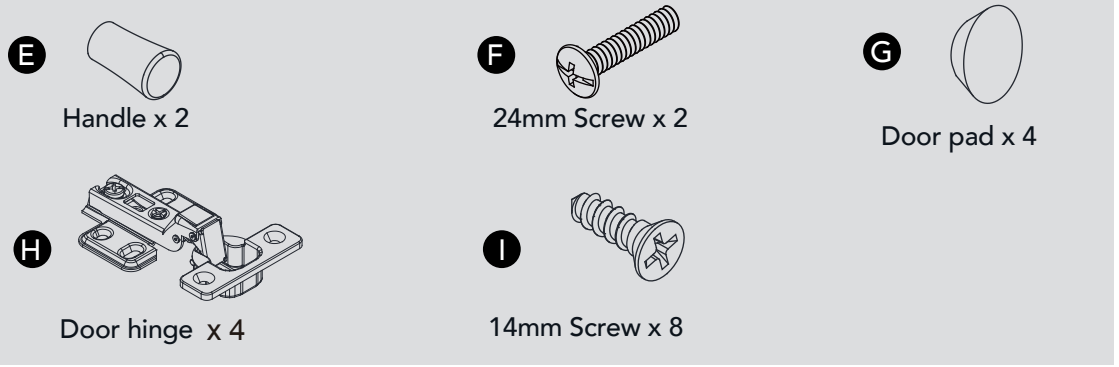
**D**



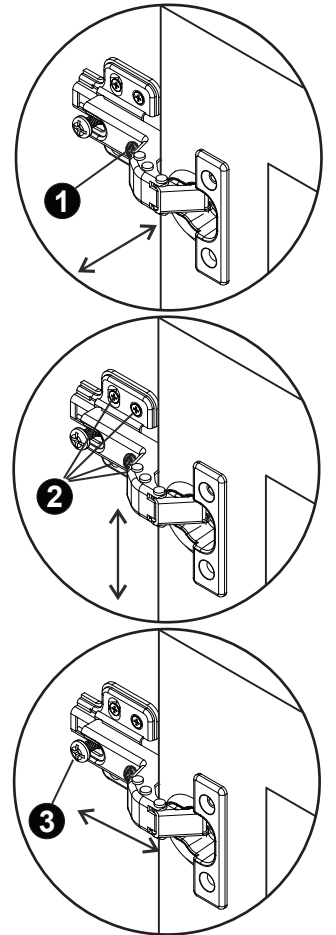
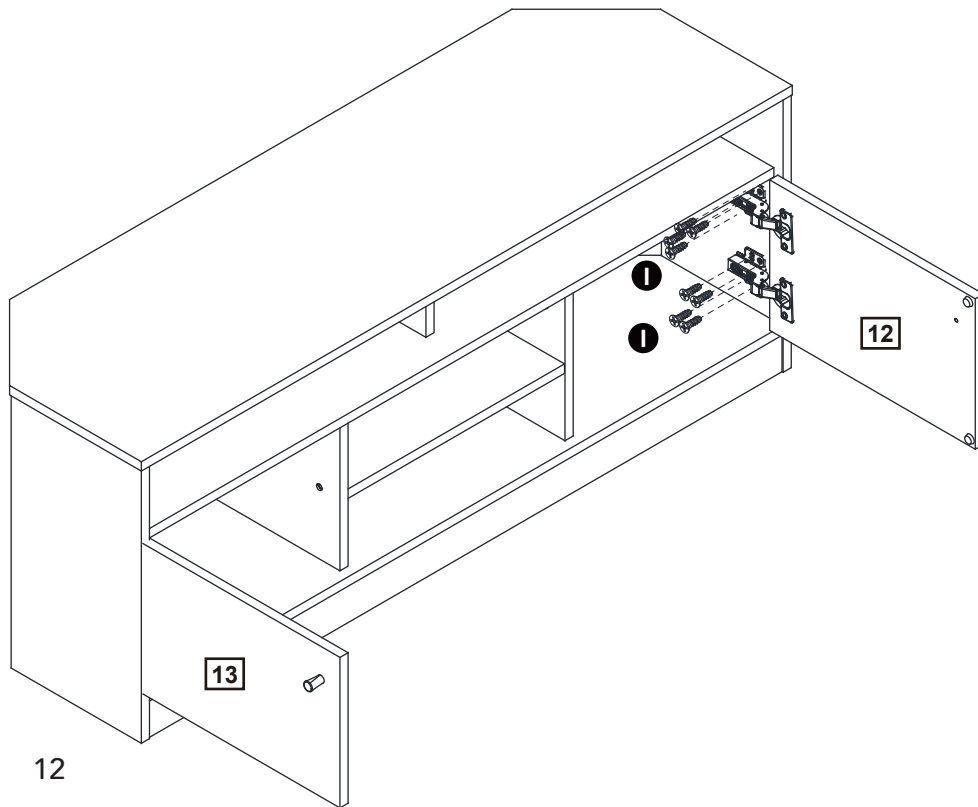
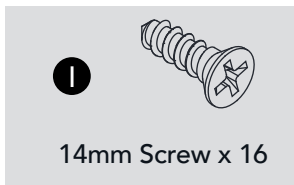
Locking nut x 8



# 15



# 16



# 17

