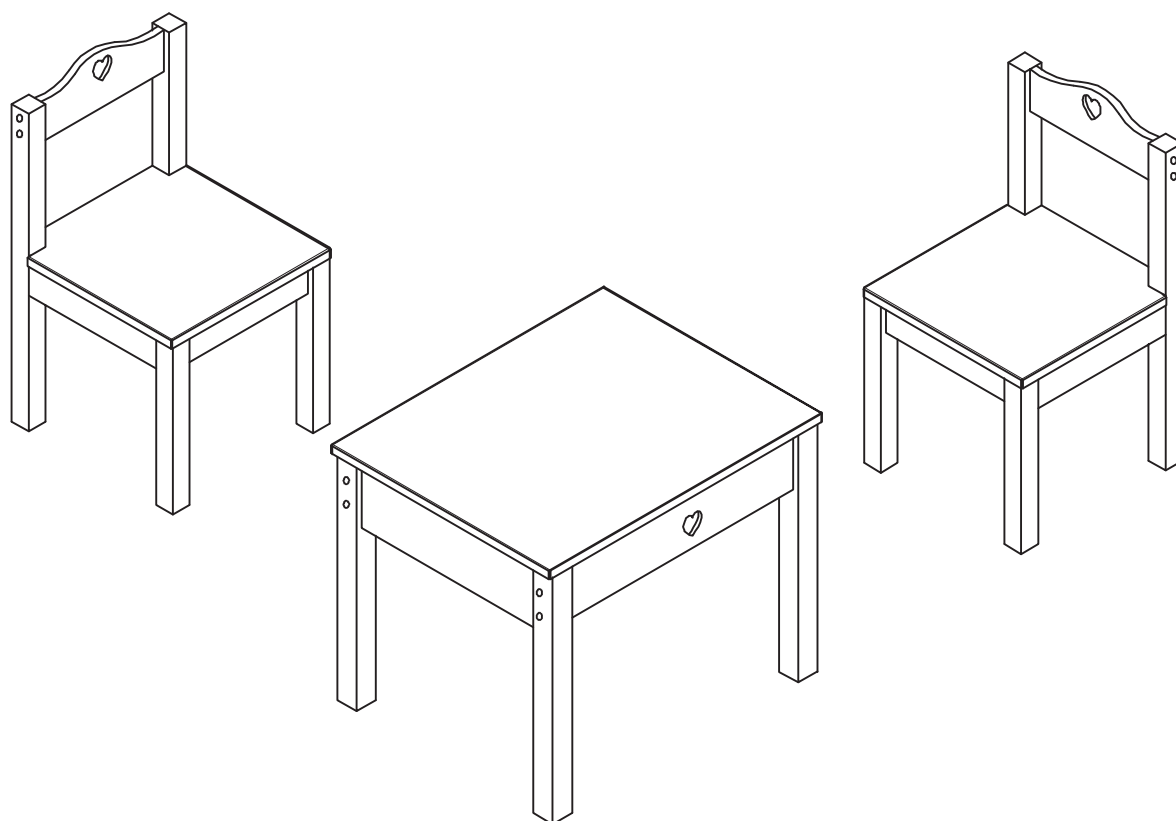



Mia

habitat




Spare Parts

 www.argos-support.co.uk

 Help@ClickSpares.co.uk

 0370 112 1928

Customer Support

 0345 640 2020

Safety and Care Advice

Product Details

HAB Mia Table And Chairs 9523746

IMPORTANT, RETAIN FOR FUTURE REFERENCE: READ CAREFULLY.

- Keep children and animals away from the work area, small parts could choke if swallowed.
- Make sure you have enough space to layout the parts before starting.
- This product has been constructed to be used in the domestic environment only and not for commercial purposes.

- Assemble the item as close to its final position (in the same room) as possible.
- Assemble on a soft level surface to avoid damaging the unit or your floor.



- We do not recommend the use of power drill/ drivers for inserting screws as this could damage the unit.

Only use hand screwdrivers.

- Parts of the assembly will be easier with 2 people.
- Dispose of all packaging carefully and responsibly.

Care and maintenance

- Only clean using a damp cloth and mild detergent. Do not use abrasive cleaners.
- Use a dry cloth to clean the product, furniture polish is not recommended.

- From time to time check that there are no loose screws, nuts or bolts. If there are please re-tighten.

- This product should not be discarded with household waste. Take to your local authority waste disposal centre.

Additional Guidance

- Assemble all parts and bolts loosely during assembly, only once the product is complete should you fully tighten the bolts.
- Regularly check and ensure that all bolts and fittings are tightened properly.
- This product is compliant FIRA FRQG C001,C002,C003.

Sainsbury's Argos is a trading name of both: Argos Limited, Registered office: 489-499 Avebury Boulevard, Milton Keynes, United Kingdom, MK9 2NW, registered number: 01081551 (England and Wales); and Sainsbury's Supermarkets Limited, Registered office: 33 Holborn, London, EC1N 2HT, registered number: 03261722 (England and Wales). Both companies are subsidiaries of J Sainsbury's plc.

Fittings (Shown to scale)

Bag 1

A



35mm Male Camlock x 9

B



Female Camlock x 9

C



L-Bracket x 4

D



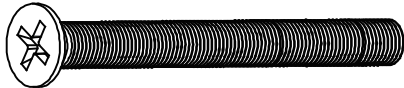
30mm Dowel x4

E



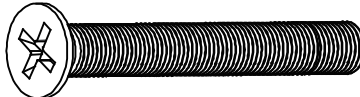
12mm Screw x 8

F



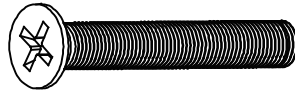
60mm Machine Screw x 8

G



55mm Machine Screw x 8

H



40mm Machine Screw x 16

I



40mm Machine Screw x 10

J



20mm Screw x 3

K



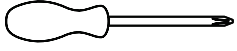
Spring Washer x 16

L

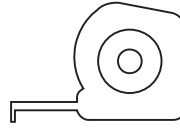


Flat Washer x 16

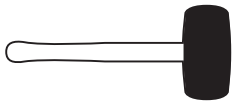
Tools required



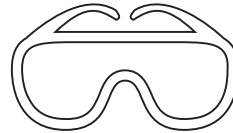
Phillips screwdriver
(small & medium)



Ruler/tape
measure

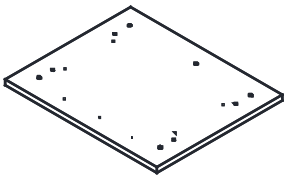


Mallet

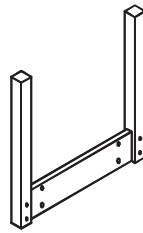


Eye protection
(when using a hammer
or glue)

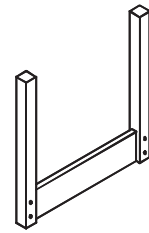
Panels



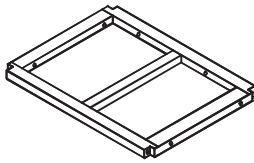
1 Table Top x 1
60cm x 50cm x 1.5cm



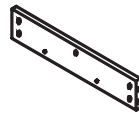
2 Right hand Legs x 1
48cm x 48.5cm x 4cm



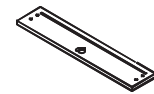
3 Left Hand Legs x 1
48cm x 48.5cm x 4cm



4 Table Frame x 1
52.6cm x 43.6cm x 1.5cm



5 Table Back Bar x 1
50cm x 9.2cm x 1.5cm



6 Drawer Front x 1
49.7cm x 9cm x 1.5cm



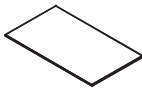
7 Drawer Right Panel x 1
35cm x 6cm x 1.5cm



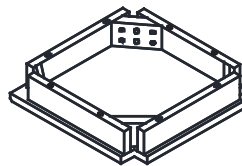
8 Drawer Left Panel x 1
35cm x 6cm x 1.5cm



9 Drawer Back Panel x 1
46.6cm x 6cm x 1.5cm



10 Drawer Base Panel x 1
47.2cm x 34.1cm x 0.3cm



11 Desktop x 2
30cm x 30cm x 5.5cm



12 Chair Left Back Bar x 2
52cm x 3cm x 3cm



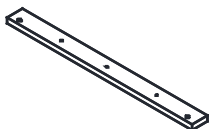
13 Chair Right Back Bar x 2
52cm x 3cm x 3cm



14 Chair Front Bar x 4
25.5cm x 3cm x 3cm

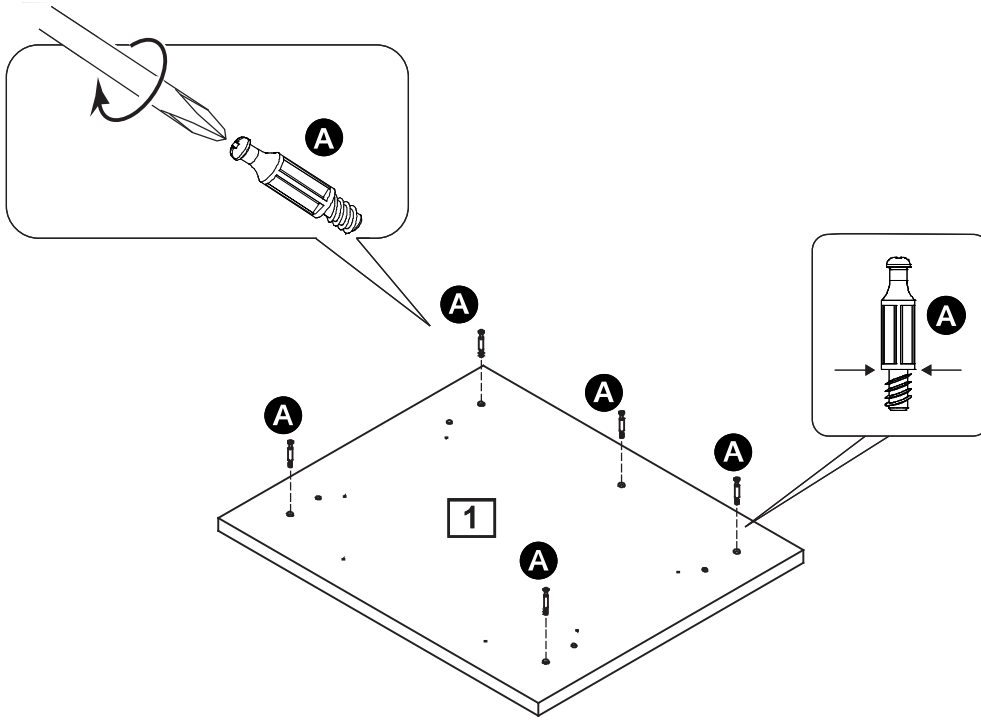
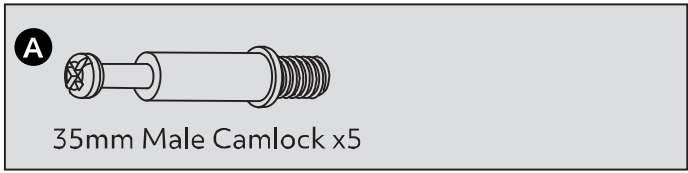
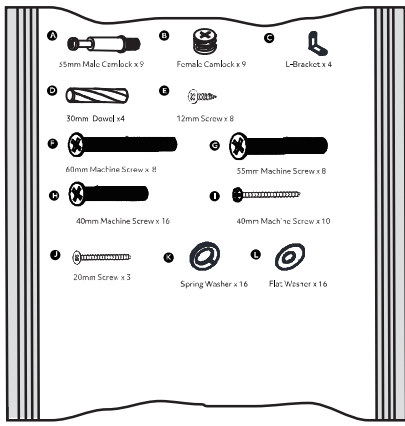


15 Chair Back Panel x 2
23.8cm x 9.5cm x 1.5cm

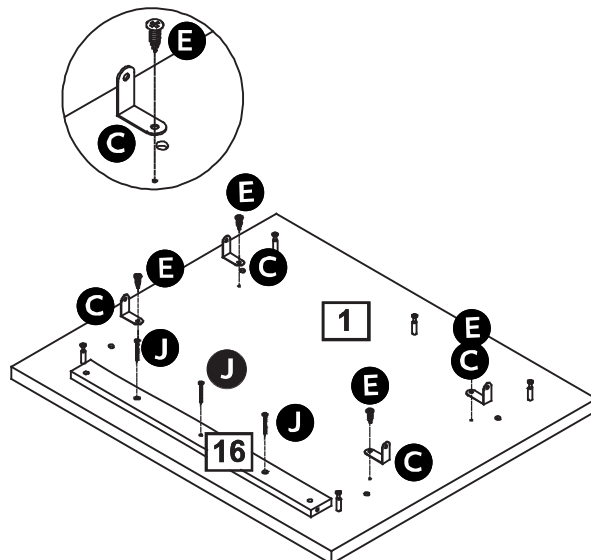


16 Fasten Bar x 1
50cm x 4.3cm x 1.5cm

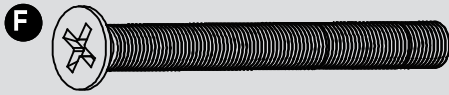
1



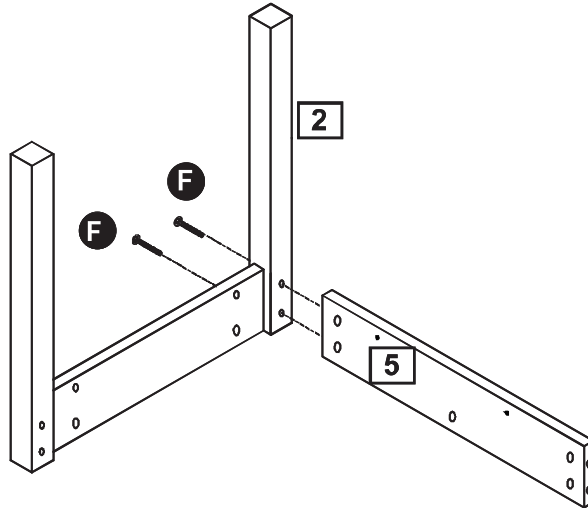
2



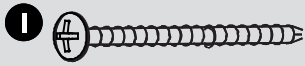
3



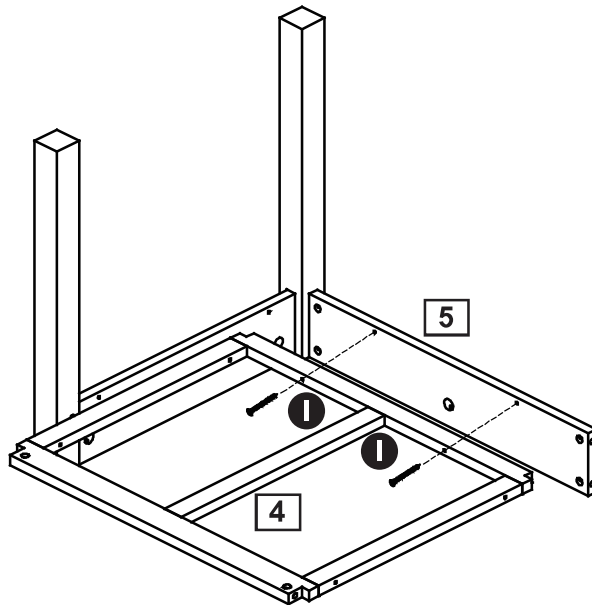
60mm Machine Screw x 2



4

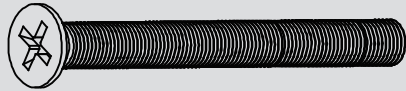


40mm Machine Screw x 2



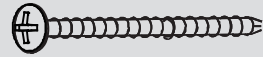
5

F

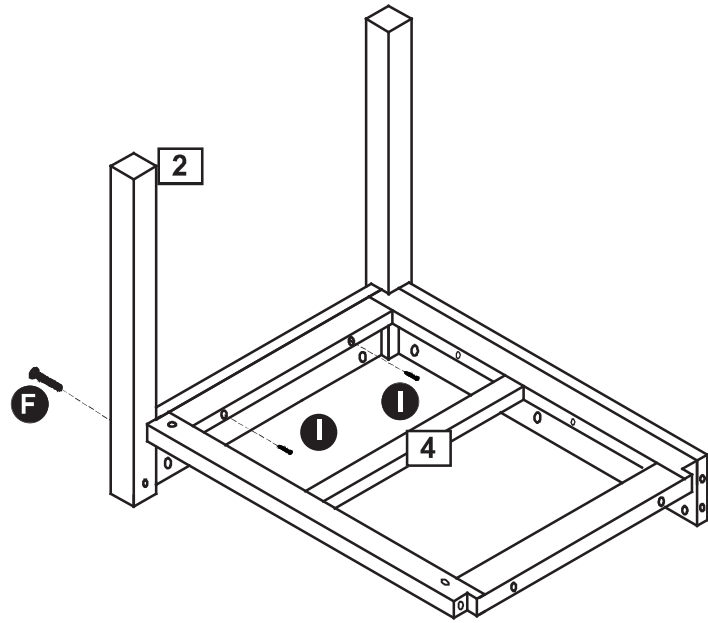


60mm Machine Screw x 1

I

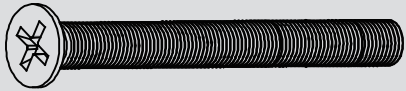


40mm Machine Screw x 2



6

F

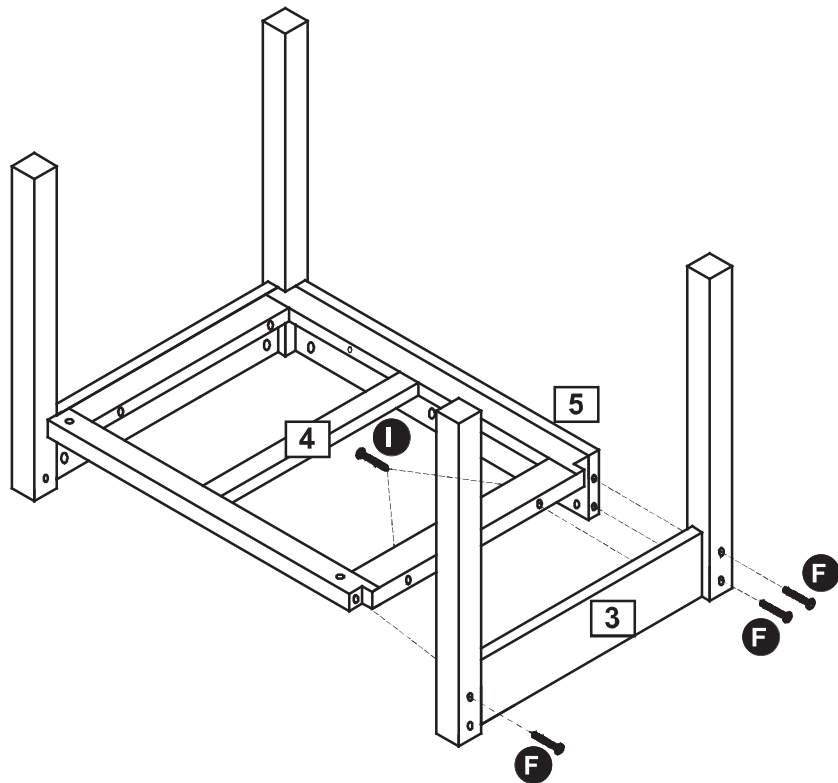


60mm Machine Screw x 3

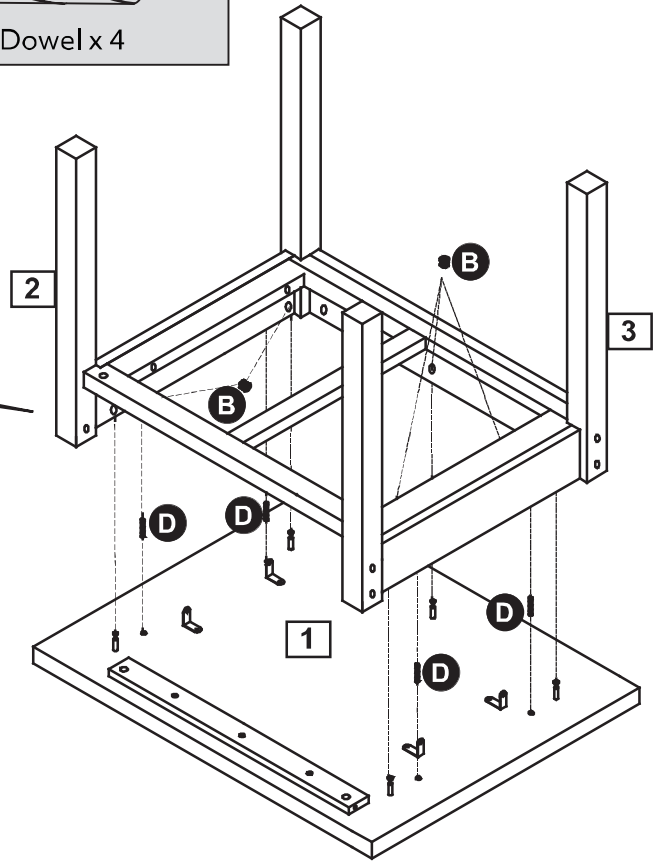
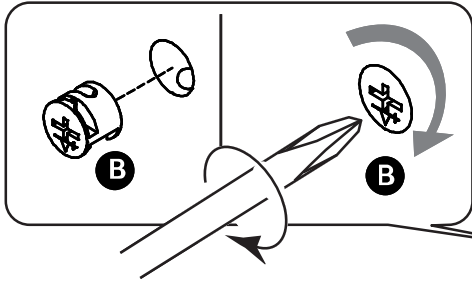
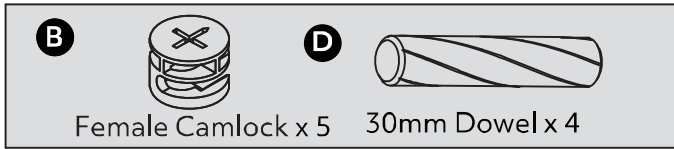
I



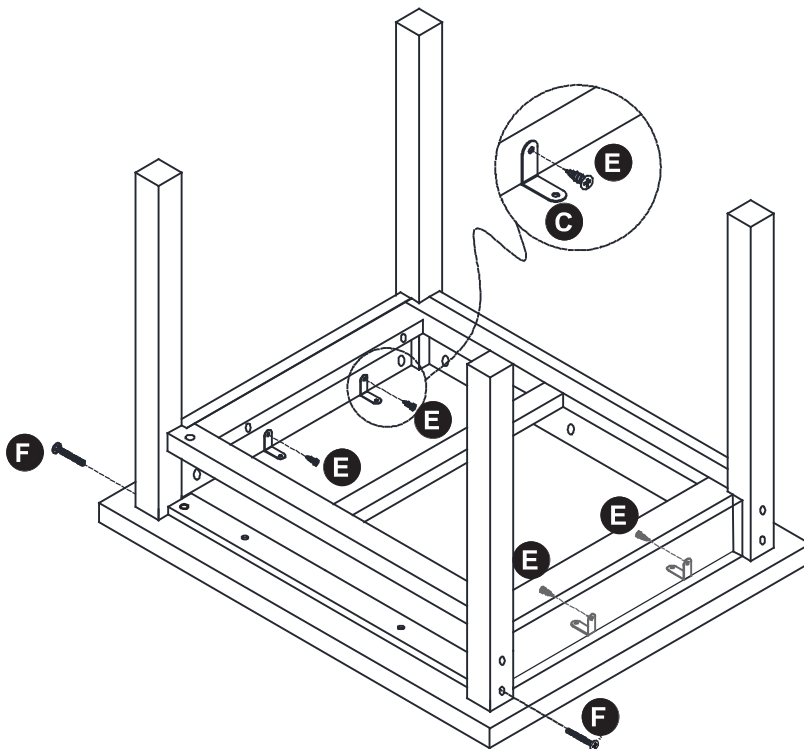
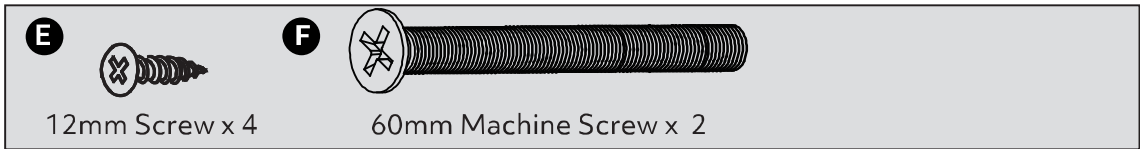
40mm Machine Screw x 2



7

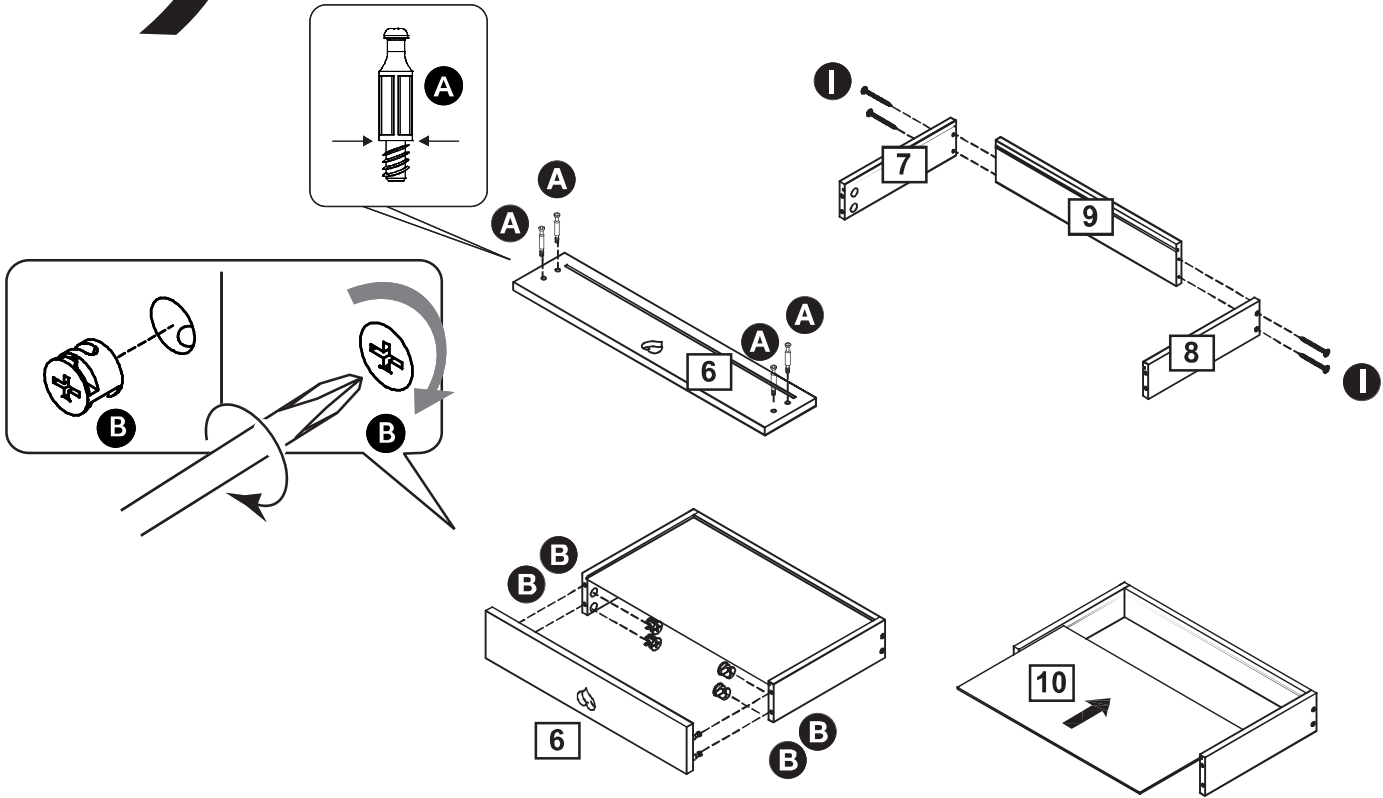


8

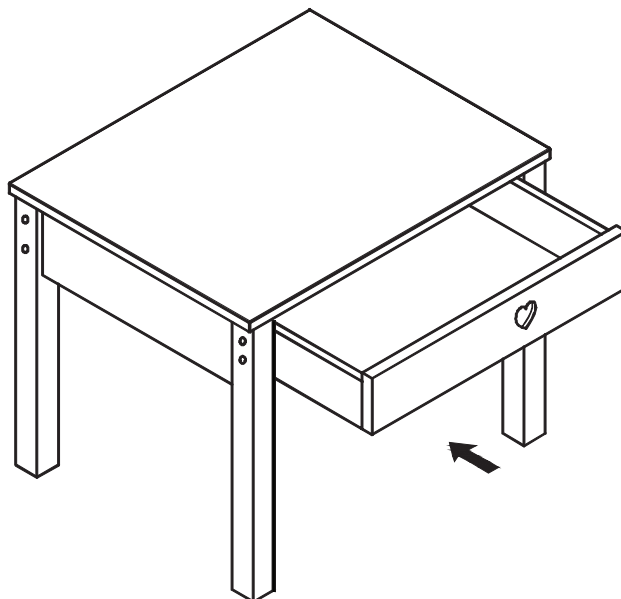


9

A  **B**  **I** 
35mm Male Camlock x 4 Female Camlock x 4 40mm Screw x 4

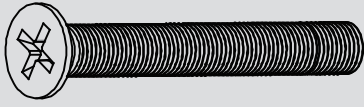


10

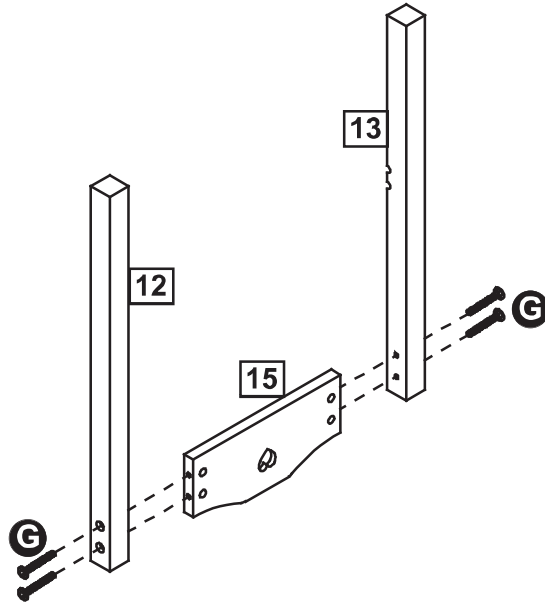


11

G



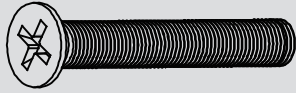
55mm Machine Screw x 8



x2

12

H



40mm Machine Screw x 8

K

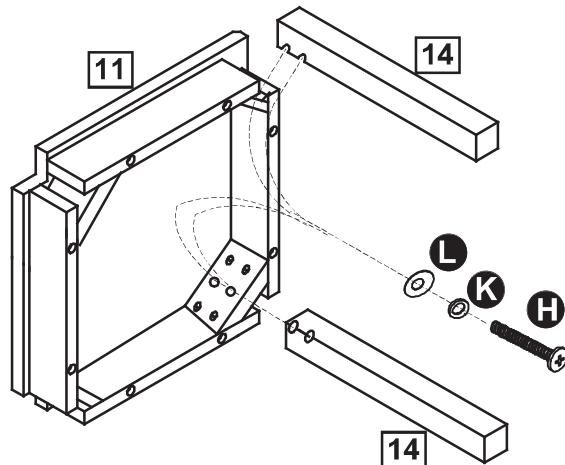


Spring Washer x 8

L

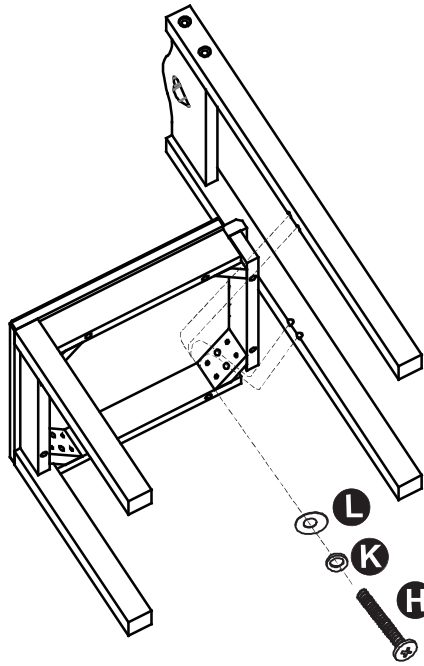
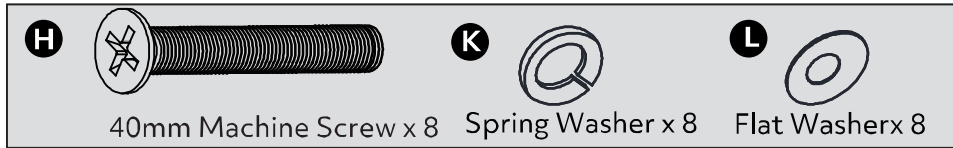


Flat Washer x 8



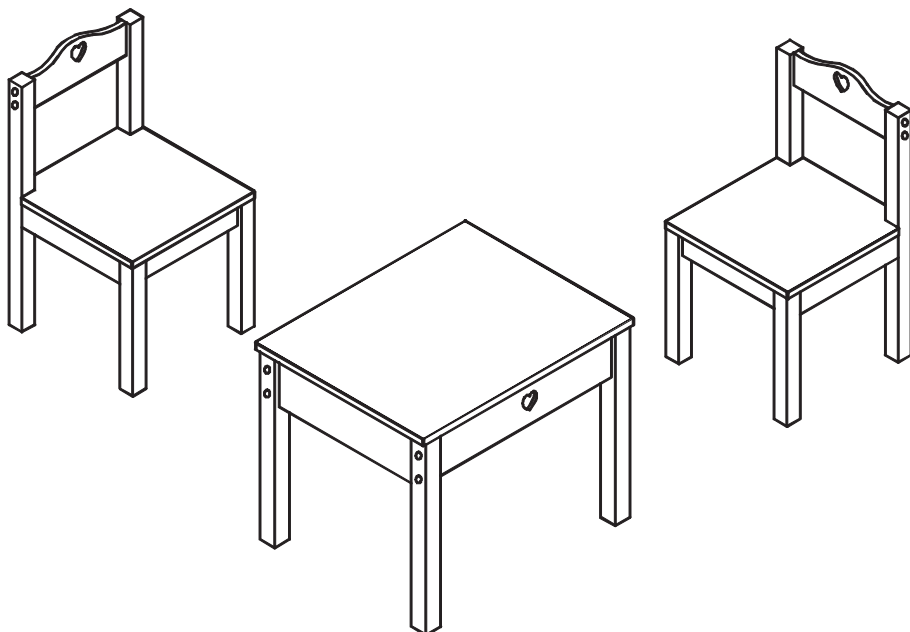
x2

13



x2

14



SAFETY INFORMATION

A few important points before you start :

- Please read the instructions right through before you start, and check that all the components have been included in the pack; we find separating all the hardware into piles makes it easier to be sure that everything is present and correct.
- Make sure you have the right tools. Allen keys are provided if required, but screwdrivers and other tools are not. You will find details of the tools you need at the beginning of the instructions.
- It is a good idea to build the unit in the room where you are going to be using it, to avoid the need to move it after it has been assembled.
- Do not throw away any packing materials until assembly is complete, just in case you accidentally discard smaller parts or hardware.

Safety Warnings:

- Assembly to be carried out by a competent adult only.
- During assembly children should be kept away from the product due to possible risk of injury.
- Do not use this item if any components are missing or damaged.

Important: Retain these instructions for future reference.

- The standard is applicable to all types of domestic seating, tables and storage furniture for use by children from 3 years old to 6 years old.
- Max load - 25kg.
- Regularly check all fastenings to ensure that they properly tightened.
- Unassembled product contains small parts which may present a choking hazard.
- Assemble and use on a flat and level surface.
- DO NOT use power tools in the assembly of this product as there is a risk of over-tightening and consequently splitting of the wood.
- Please retain these instructions for future reference.
- Only for domestic use.

Product Care:

- Wipe clean using a soft damp cloth followed by a dry cloth.
- DO NOT use cleaning products which contain ammonia, solvents or abrasive material.
- DO NOT expose the item to extremes of heat and humidity.



Warning: Only for indoor and domestic use. Not suitable for children under 3 years.
Small parts. Choking hazard.

The specifications and colours may vary from the pictures on the packaging.

Manufactured: Sainsbury's Argos Asia Ltd.,