

# HOME

## USER INSTRUCTIONS

### GU10 Premium Up & Down Wall Light – Black

This manual applies to the article **9518809**. Please refer to the rating label for the article number.

**THESE INSTRUCTIONS ARE FOR YOUR SAFETY. PLEASE STUDY ALL INSTRUCTIONS AND WARNING LABELS BEFORE USING AND RETAIN FOR FUTURE REFERENCE.**

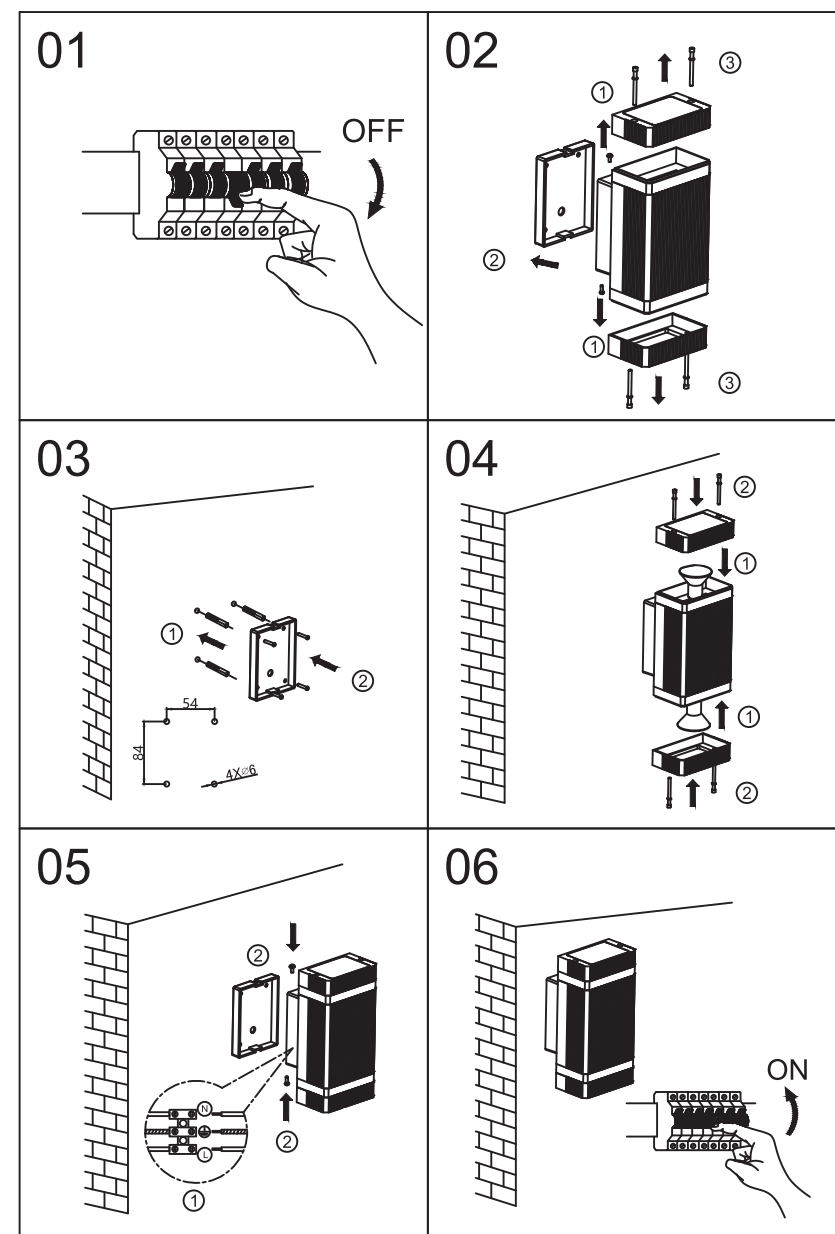
#### Before You Start

- 1) Study the instructions carefully and check that you have all of the required parts and tools
- 2) Decide on an appropriate location for your product, make sure you have plenty of space and a clean dry area for assembly. Always assemble the product as close as possible to the intended location.
- 3) Retain the instructions for future use.

#### Assembly

\*No tools required for assembly.

## Installation



#### Warranty

##### WHAT IS COVERED

The manufacturer warrants this lighting fixture to be free from defects in materials and workmanship for a period of three(3) years from date of purchase. This warranty applies only to the original consumer purchaser and only to products used in normal use and service. If this product is found to be defective, the manufacturer's only obligation, and your exclusive remedy, is the repair or replacement of the product at the manufacturer's discretion, provided that the product has not been damaged through misuse, abuse, accident, modification, alterations, neglect or mishandling.

##### WHAT IS NOT COVERED

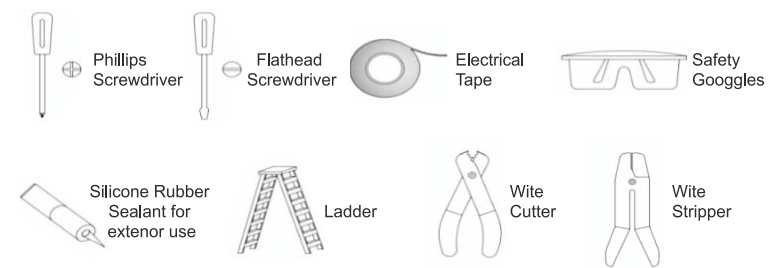
This warranty shall not apply to any product that is found to have been improperly installed, setup, or used in any way not in accordance with the instructions supplied with the product. This warranty shall not apply to failure of the product as a result of an accident, misuse, abuse, negligence, alteration, or faulty installation, or any other failure not relating to faulty material or workmanship. This warranty shall not apply to the finish on any portion of the product, such as surface and/or weathering, as this is considered normal wear and tear. The manufacturer does not warrant and specially disclaims any warranty, whether expressed or implied, of fitness for a particular purpose, other than the warranty contained herein. The manufacturer specifically disclaims any liability and shall not be liable for any consequential or incidental loss or damage including but not limited to any labor/expense costs involved in the replacement or repair of said product.

#### Pre-Installation

##### PLANNING THE INSTALLATION

Read all instructions before assembly and installation. Before starting installation of the fixture or removal of a previous fixture, disconnect the power by turning off the circuit breaker or by removing the fuse at the fuse box. To avoid damaging this product, assemble it on a soft, non-abrasive surface such as carpet or cardboard.

#### TOOLS REQUIRED



#### Care and Cleaning

##### EXTERIOR MAINTENANCE

■ Use a dry or slightly dampened clean cloth and wipe the surface of the fixture.

##### INTERIOR MAINTENANCE

■ Disconnect power to the fixture by turning off the circuit breaker or by removing the fuse at the fuse box.

■ Use a dry or slightly dampened clean cloth to wipe the interior surface of the fixture.

■ The LED rating is 2xGu10 max 5W (not include).

#### Disposal and recycling

##### Recycling electrical products



Waste electrical products should not be disposed of with household waste.

Please recycle where facilities exist. Check with your local authority or retailer for recycling advice.



Sainsbury's EC1N 2HT. Sainsbury's (NI) BT8 6FX. Argos MK9 2NW. Argos (N.I.) BT8 6FX. Argos Distributors (Ireland) A84 YY86