

# Beam (Gen 2)



Guid... > Beam (Ge...



## Overview

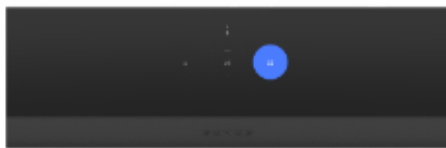
The smart, compact soundbar for your TV—



- Feel sound all around you with the spacious 3D experience of Dolby Atmos.
- Stream music, radio, podcasts, and more when the TV is off.
- Effortless setup with just two cables and smart [Trueplay™](#) tuning.
- Flexibility to expand your system over time and enjoy true surround sound and multi-room listening.
- Set up and control with the [Sonos](#) app (for Android and iOS).
- See [Setup](#) when you're ready to add Beam (Gen 2) to your Sonos system.

## Controls and lights

---



Volume control

- Volume up (right)
- Volume down (left)

Touch for small adjustments or hold to quickly adjust the volume.

**Note:** You can also use the Sonos app, your voice, or your TV remote.



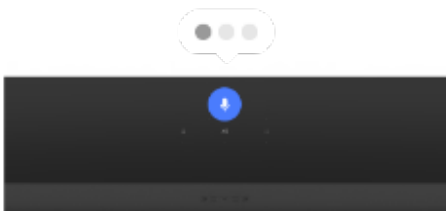
Play/Pause

- Touch to play or pause.
- Hold to group with other rooms and products in your Sonos system.



Next/Previous  
(music only)


- Swipe right to skip to the next song.
  - Swipe left to go to the previous song.
- Note:** You can't skip forward or go back when listening to a radio station.



Microphone

Tap to turn the microphone on or off.

- When the microphone light is on, voice control is on and your voice service is ready to respond.
- When the light is off, voice control is off.

**Note:** If you've installed a voice service and the microphone is off, you can still use voice commands. Just press and hold —no need to start with a wake word. When you release the microphone button, voice control turns off again.



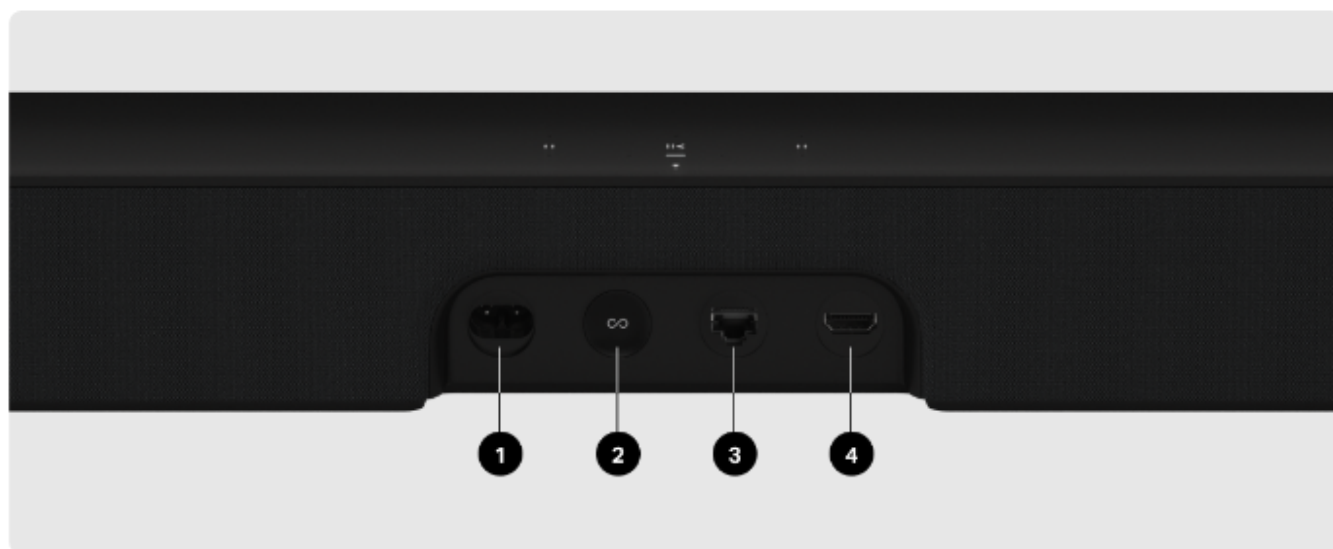
Status light

Displays the product's connection to WiFi, indicates when the volume is muted, and signals errors. [Learn more](#)

**Note:** If you don't want to allow playback or volume adjustments using the speaker touch controls, you can disable them in the room's settings.

## Connector panel

---



|          |                        |  |
|----------|------------------------|--|
| <b>1</b> | AC (mains) power input | Use only the supplied power cord (using a third-party power cord will void your warranty).<br><b>Note:</b> Insert the power cord firmly until it is flush with the soundbar. |
| <b>2</b> | Join button            | Press to connect during setup.   |
| <b>3</b> | Ethernet port          | Use an Ethernet cable if you want to connect to a router, computer, or network-attached storage (NAS) device (optional).   |
| <b>4</b> | HDMI port              | Use to connect the soundbar to your TV.  |

## Select a location

You can wall mount Beam above or below your TV, or place it on a TV stand.

### Place on a TV stand

- Place horizontally on a stable and level surface at least 2" (50mm) from the TV.
- Don't place vertically or on its side.
- Don't block the TV's IR sensor.

- If put on a shelf, place at the front and keep 2" (minimum) clearance on both sides for best sound quality.
- Keep 1" (25mm) space (minimum) above Beam so you can reach the touch controls.
- For best sound quality, keep both ends of Beam at least 1" (30cm) from a wall or other obstruction.

## Wall mount

You can secure the soundbar to a wall with a compatible wall mount. We recommend the custom-designed Sonos Beam Wall Mount. See [Wall mount](#) for more information.

# Connect the cables

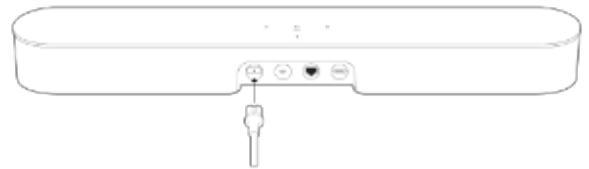
## Before you start

- Disconnect existing home theater or surround sound equipment from your TV.
- Connect any external devices, like a cable box or DVD player, directly to your TV.
- Turn your TV on.

1

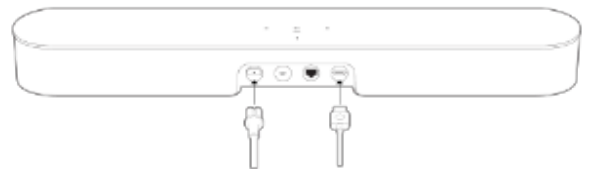
Connect the power cord and plug in Beam.

**Note:** Use only the supplied power cord (using a third-party power cord will void your warranty).



2

Connect the HDMI cable (included) to Beam's HDMI port.

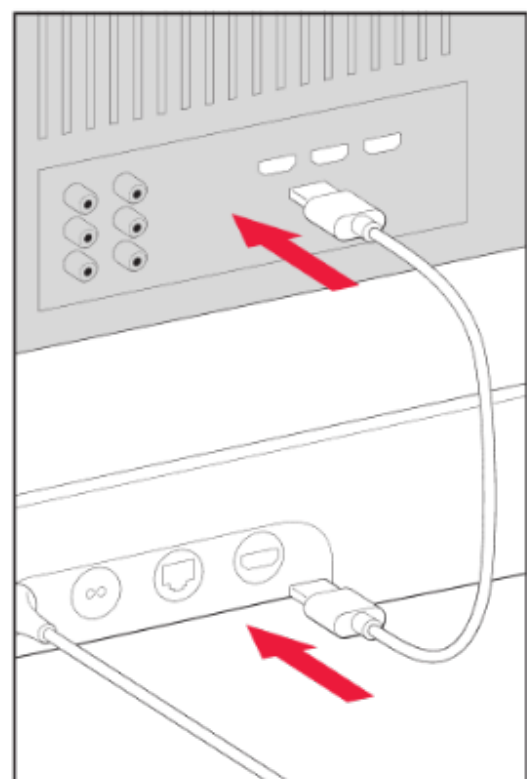


3

Connect the HDMI cable to your TV:

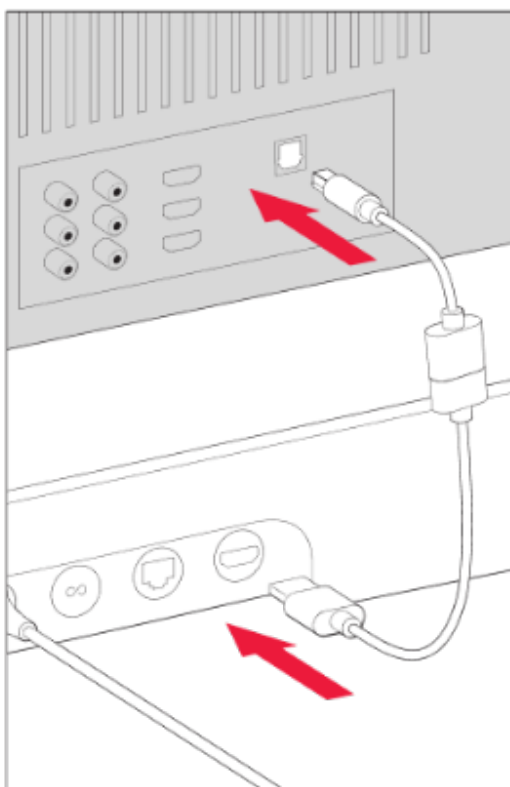
- If your TV has an HDMI ARC (or eARC) port, connect the HDMI cable to it. (HDMI ARC is a special port that looks like a standard HDMI port—it may be on the back or side of your TV. The ports look similar, but the ARC port will be labeled ARC, eARC, or ARC/eARC. If you connect Sonos Beam to a standard HDMI port instead, you won't hear any sound.)
- If your TV doesn't have an HDMI ARC or eARC port, you'll need to use the optical adapter:
  - Remove the protective cap from the optical adapter, then attach the optical adapter to the HDMI cable.
  - Connect the optical adapter to your TV's optical digital OUT port. (The TV's optical adapter's port is "D-

### HDMI cable to TV



shaped”—make sure the connector aligns correctly into the port. Inserting the adapter incorrectly may damage the cable.)

#### Optical adapter to TV




## Voice services

Use your voice to control your Sonos system with any voice-enabled Sonos product—play and control content, turn the volume up or down, and more.

- **Sonos Voice Control:** control your whole Sonos system with hands-free ease and unmatched privacy. Sonos Voice Control comes ready to use—it only takes a few seconds to add when you set up your speakers. [More information](#)
- **Amazon Alexa:** you'll need the Sonos app and the Alexa app with the Sonos skill enabled. You'll make some changes in both apps during setup. [Learn more](#)
- **Google Assistant:** you'll need the Sonos app and the Google Assistant app. You'll make some changes in both apps during setup. [Learn more](#)
- **Siri:** you'll need the Apple Home app. Add your AirPlay2-compatible Sonos speakers to the Apple Home app and then use an iPhone, iPad, or Apple TV to ask Siri to play music (currently limited to Apple Music). [Learn more](#)

**Note:** Voice control isn't supported in every country yet—this feature will be available as soon as Sonos and a voice service launch together in your region.

## Microphone on/off

The microphone is used for voice control and for microphone-dependent features like Trueplay tuning. Press  to turn the microphone on or off—the microphone LED light will let you know when your voice assistant is listening.

**When the microphone light is on:**

When the microphone light is on:

- If you set up a voice service, voice control is on and ready to respond.
- Microphone-dependent features like [Trueplay](#) are available.


When the microphone light is off:

- If you set up a voice service, voice control is off.
- Microphone-dependent features like Trueplay are unavailable.

## Trueplay

Every room is different. Trueplay tuning measures how sound reflects off walls, furnishings, and other surfaces in a room, then fine tunes your Sonos speaker to make sure it sounds great no matter where you've placed it.

Trueplay works on iOS mobile devices running iOS 8 or later. During tuning, you'll move around the room holding your mobile device.

1. Select  > **System**, and pick the room you want to tune.
2. Choose **Trueplay Tuning** to get started.

**Note:** Trueplay tuning isn't available if VoiceOver is enabled on your iOS device. Turn VoiceOver off in your device settings before tuning your speakers.

## Auto Trueplay

Portable Sonos products like Sonos Roam and Move can tune themselves automatically. Auto Trueplay uses your speaker's microphone to detect the environment and make periodic tuning adjustments so you get great sound wherever your speaker is and whatever you're listening to.

Go to  > **System**, and select your portable speaker to turn on auto Trueplay.

## Product settings

You can customize Sonos products for your surroundings. Go to  > **System** and select a product.

---

|   |   |
|---|---|
| Room Name                                   | If you move your speaker to a new room, you can change its name in <b>Settings</b> .  |
| Turn off WiFi<br>(not on portable products) | You can turn off your speaker's WiFi when it's connected to your network with an Ethernet cable. This reduces power consumption and can improve connectivity for some wired speakers. For products like Amp and Port, turning off WiFi can reduce the internal temperature when they're placed in a rack or stacked. <a href="#">Learn more</a> |
| EQ  | Sonos products ship with preset equalization settings. You can change the sound settings (bass, treble, balance, or loudness) to suit your personal   |

preferences. [Learn more](#)

---

### Trueplay

Trueplay adapts the sound for your surroundings and content. Portable products can tune themselves automatically. [Learn more](#)

---

### Volume Limit

You can set a maximum volume for each room. [Learn more](#)

---

### Status Light

Displays the speaker's connection to WiFi, indicates when the volume is muted, and signals errors. [Learn more](#)

**Note:** If the light is distracting, you can turn it off in **Settings**.

---

### Touch Controls

You can disable the touch control on your speaker. You may want to do this to prevent a child or curious pet from accidentally adjusting playback or volume. [Learn more](#)

---

### Battery Saver (portable products)

To save battery life, you can set your portable speaker to power off automatically instead of going to sleep. It won't appear in the Sonos app until it's powered back on.

---

### Line-In (products with line-in capability)

Connect an audio device like a turntable or stereo to an Amp, Port, or Five. Go to **Browse > Line-In**, and select the source to start playback. You can adjust line-in settings like source name, audio level, and autoplay.

## Home theater

Sonos products for your TV provide full-theater sound and play music too. Create a home theater system by adding a pair of [rear surrounds](#) and a [Sub](#).

### Home theater settings

Use the Sonos app to adjust sound settings or change the way your home theater speaker works with your TV.

---

### TV Dialog Sync

If the TV audio is out of sync with the video, you can adjust the audio delay (lip sync) in your room's settings. [Learn more](#)

---

## Group Audio Delay

If you notice audio issues when playing to a group, you can adjust this setting. [Learn more](#)

## TV Autoplay

**TV Autoplay**—if music or other content is playing when you turn on your TV, the audio automatically switches to TV audio (default). If you don't want this to happen, turn off TV Autoplay in your room's settings.

**Ungroup on Autoplay**—if your home theater speaker is grouped with other products when you turn on the TV, it automatically drops from the group (default). If you don't want this to happen, turn off Ungroup on Autoplay in your room's settings.

## Speech enhancement

Makes TV dialog easier to hear. [Learn more](#)

## Night sound


Enhances quiet sounds and reduces the intensity of loud sounds. Turn on to reduce the volume while still experiencing proper balance and range. [Learn more](#)

## Remote Control Setup

During setup, you'll program a remote control. You can program a different remote control any time. [Learn more](#)

# Set up surrounds

It's easy to turn two Sonos speakers (same model), or a Sonos Amp and your favorite non-Sonos speakers, into separate right and left channels for your home theater.

1. Place each surround speaker about 10ft from your favorite listening position, angling them toward the seating area.
2. Go to  > **System**.
3. Select a room with a soundbar and choose **Add Surrounds** to get started.

**Note:** If you group the rooms or create a stereo pair instead, you won't have surround sound.

[Learn more](#)

## Surround audio settings

During setup, surround sound is optimized for your room. These settings are adjustable:

### Surrounds

Turn surround sound **On** or **Off**.

### TV Level

Adjust surround volume for TV audio.



## Music Playback

**Ambient** (subtle) or **Full** (louder, full range). Doesn't apply to Dolby Atmos Music playback.

## Accessories

Find the perfect accessory for your Sonos system—tailored to perfectly fit your Sonos products.

For a full selection of Sonos-compatible stands, wall mounts, chargers and cables, see [Accessories](#) on our website.

## Wall mount

### Guidelines

- Use the Sonos Beam Wall Mount kit (sold separately, available at [sonos.com](#)). Follow the instructions in the kit.
- Keep 1" (25mm) space (minimum) above Beam so you can reach the touch controls.
- If you're mounting above the TV, make sure you can reach the touch controls.
- For best sound quality, keep both ends of Beam at least 1' (30cm) from a wall or other obstruction.

### Mount kit contents

- Wall mount bracket
- 4 wall anchors
- 4 wall screws
- 2 screws

**Note:** Don't discard the template. It may look like packing material.

| Wall mount                     | Pre-drill       | Use wall anchors | Use screws |
|--------------------------------|-----------------|------------------|------------|
| Wood stud                      | 1/8" / 3mm bit  | No               | Yes        |
| Drywall (no stud)              | 5/16" / 8mm bit | Yes              | Yes        |
| Hard wallboard or double board | 5/16" / 8mm bit | Yes              | Yes        |

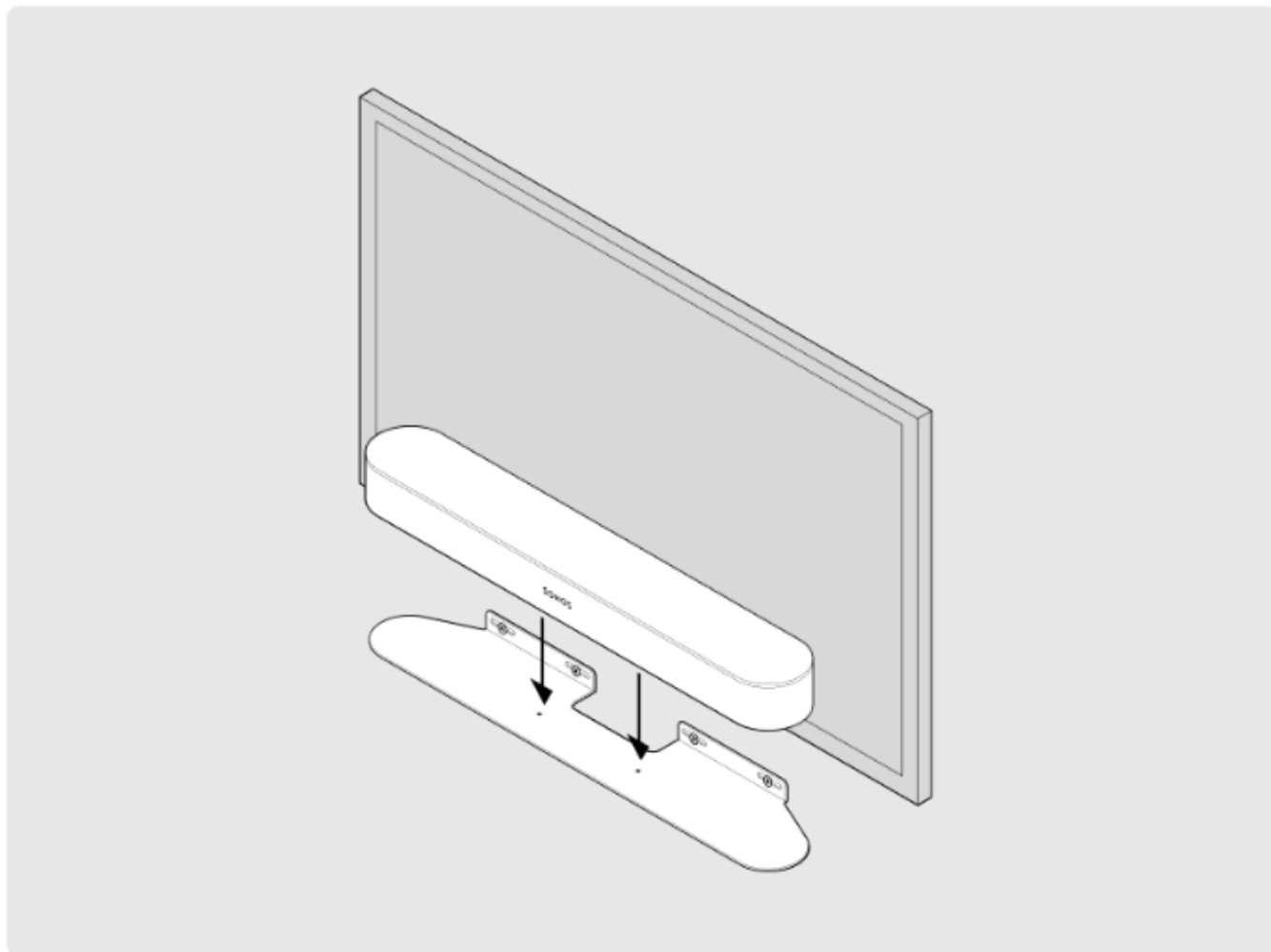
Concrete or brick

5/16" / 8mm bit

Yes

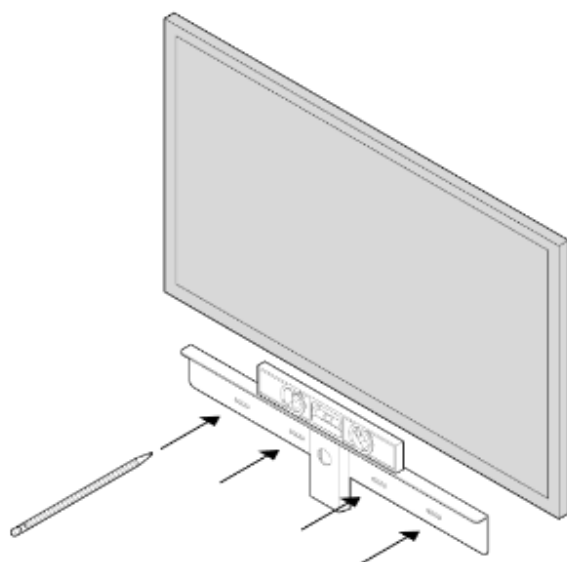
Yes

## Set it up

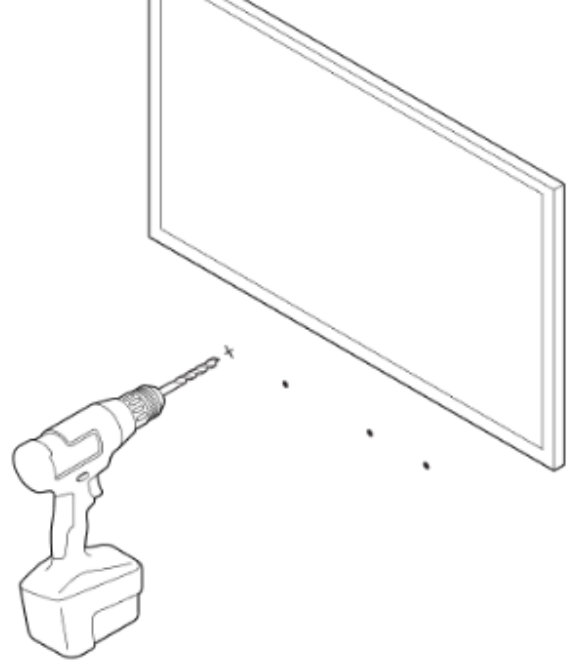
**1**

a. Tape the cardboard template to the wall above or below your TV. Use a level. Keep 1" (25mm) space (minimum) for access to Beam's touch controls. (Don't install Beam vertically.)

b. Mark the center of the mounting holes and remove the template.

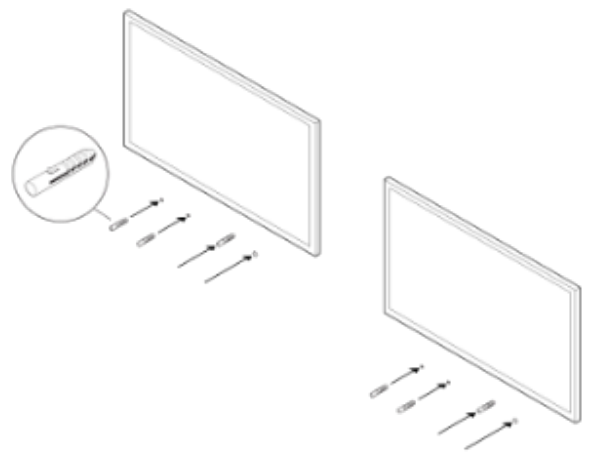
**2**

Use a 5/16" drill bit to drill pilot holes.



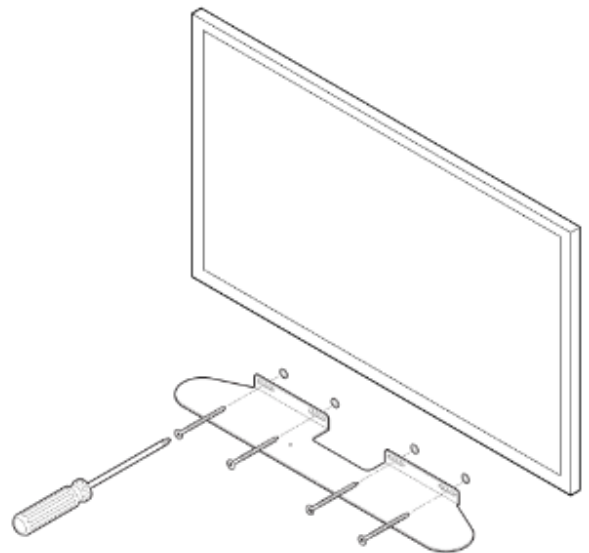
3

Insert and secure the wall anchors (don't use the anchors if drilling into wood).



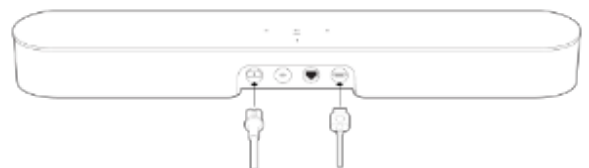
4

Place the bracket on the wall and loosely tighten the wall screws to secure the bracket. Check with a level and then tighten the screws.



5

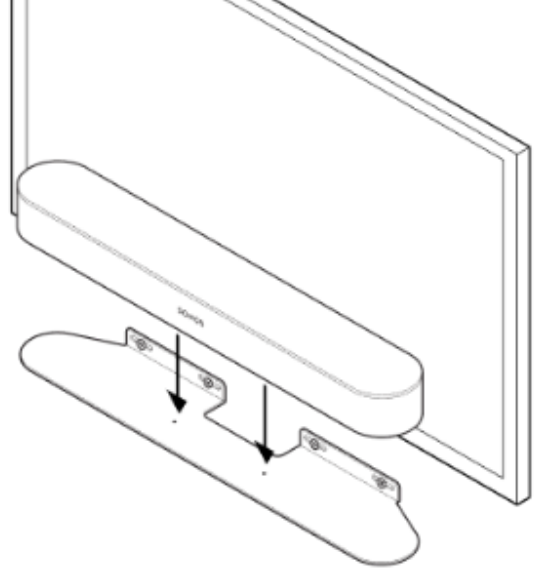
Connect the power and HDMI cables to Beam.



6

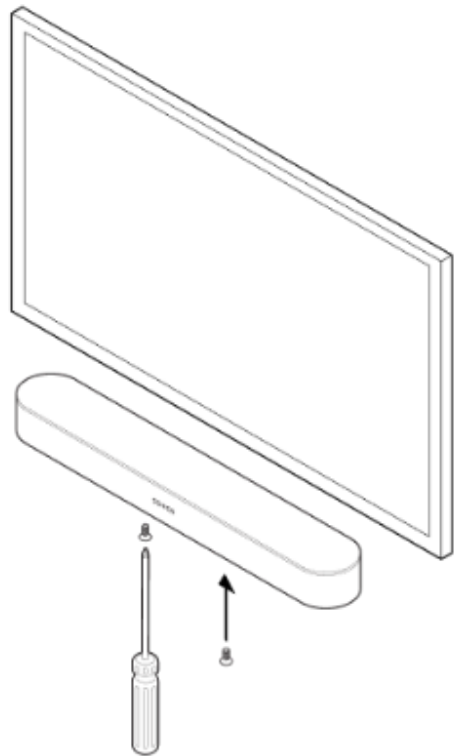
Place Beam on the bracket.





7

Insert and tighten Beam to the bracket using the mounting screws.



## Specifications

| Feature   | Description   |
|-----------|---|
| AUDIO     |   |
| Amplifier | Five Class-D digital amplifiers.  |
| Woofers   | Four full-range woofers ensure you'll hear the faithful playback of mid-range vocal frequencies plus deep, rich bass. |
| Tweeters  | One tweeter creates crisp high frequencies and clear dialogue.  |

---

**Adjustable EQ**

Use the Sonos app to adjust bass, treble, and loudness.

---

**Microphone array**

- Five far-field microphone array uses advanced beam forming and multi-channel echo cancellation so your voice assistant can be readily activated.
  - Microphone light is hardwired to voice microphones for privacy control so you know when the microphones are on or off.
- 

**NETWORKING\*****Wireless connectivity**

Connects to WiFi network with any 802.11 b/g/n, 2.4GHz broadcast-capable router.

---

**Ethernet port**

One 10/100Mbps Ethernet port. You can wire directly to your router if your WiFi is unstable.

---

**SOFTWARE****Sonos S2**

Set up and control with the latest generation of the Sonos app (for Apple or Android devices).

---

**System requirements**

TV with HDMI ARC / eARC port or optical digital audio output, broadband internet, and the Sonos app.

---

**Apple AirPlay 2**

Works with AirPlay 2 on Apple devices iOS 11.4 and higher.

---

**Voice**

Integrated voice control.

---

**Dolby Atmos**

Maps specific sounds in 3D space for a 360° effect.

---

**Trueplay**

Dynamically tunes the speaker to the unique acoustics of the room or area (iOS device required).

---

**Speech enhancement**

Turn on this home theater setting in the Sonos app to make TV dialogue even clearer.

---

**Night sound**

Enhances quiet sounds and reduces the intensity of loud sounds. Turn on to reduce the volume while still experiencing proper balance and range.

## GENERAL

---

|                               |  |
|-------------------------------|--|
| <b>Power supply</b>           | Auto-switching 100 - 240V ~ 50-60Hz 1AAC universal input |
| <b>Dimensions (H x W x D)</b> | 25.6 x 3.9 x 2.7in. (651 x 100 x 68mm)                   |
| <b>Weight</b>                 | 6.35lb (2.88 kg)   |
| <b>Operating temperature</b>  | 32° to 104°F (0 to 40°C)                                 |
| <b>Storage temperature</b>    | -4° to 158°F (-20° to 70°C)                              |
| <b>Colors</b>                 | White with white grille, black with black grille         |
| <b>Package contents</b>       | Sonos Beam (Gen. 2), power cord, and Quickstart Guide    |

**Note:** Specifications subject to change without notice.

## Important safety information

1. Read these instructions.
2. Keep these instructions.
3. Heed all warnings.
4. Follow all instructions.
5. Do not use this apparatus near water.
6. Clean only with dry soft cloth. Household cleaners or solvents can damage the finish on your Sonos products.
7. Do not block any ventilation openings. Install in accordance with the manufacturer's instructions.
8. Do not install near any heat sources such as radiators, heat registers, stoves, or other apparatus that produce heat.
9. Protect the power cable from being walked on or pinched, particularly at plugs, convenience receptacles, and the point where they exit from the apparatus.
10. Only use attachments/accessories specified by the manufacturer.
11. Unplug this apparatus during lightning storms or when unused for long periods of time.
12. This product does not have any user-serviceable parts. Do not open or disassemble or attempt to repair it or replace any components. Refer all servicing to Sonos qualified service personnel. Servicing is required when the apparatus has been damaged in any way, such as power-supply cable or plug is damaged, liquid has been spilled or objects have fallen into the apparatus, the apparatus has been exposed to rain or

has been spilled or objects have fallen into the apparatus, the apparatus has been exposed to rain or moisture, does not operate normally, or has been dropped.

13. The Mains plug should be readily available to disconnect the equipment.
14. **Warning:** To reduce the risk of fire or electric shock, do not expose this apparatus to rain or moisture.
15. Do not expose apparatus to dripping or splashing and do not place objects filled with liquids, such as vases, on the apparatus.