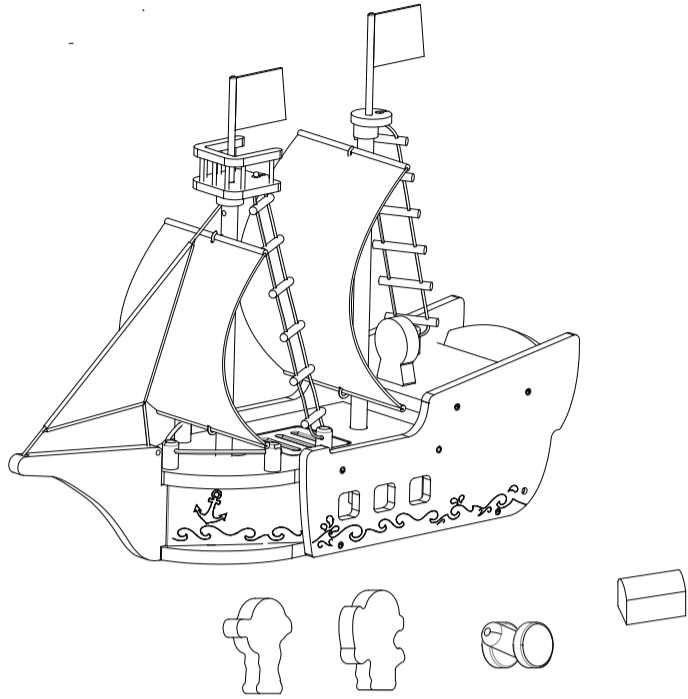


DOLL HOUSE PIRATE SHIP

Assembly & User Instructions - Please keep for future reference | 9473267

Cocoland[®]



Important

Age: 3+ years

Important – Please read these instructions fully before assembly or use

These instructions contain important information which will help you get the best from your product and ensure safe and correct assembly, use and maintenance.
If you need help or have damaged or missing parts, call the Customer Helpline: 0345 604 0105

Issue 1 - 16/04/21

⚠ Safety Information

Important – Please read these instructions fully before assembly or use

General safety

- Adult assembly required!
- Before use, please ensure the item is on a stable and level surface.
- Do not use the item if any part is broken or missing.

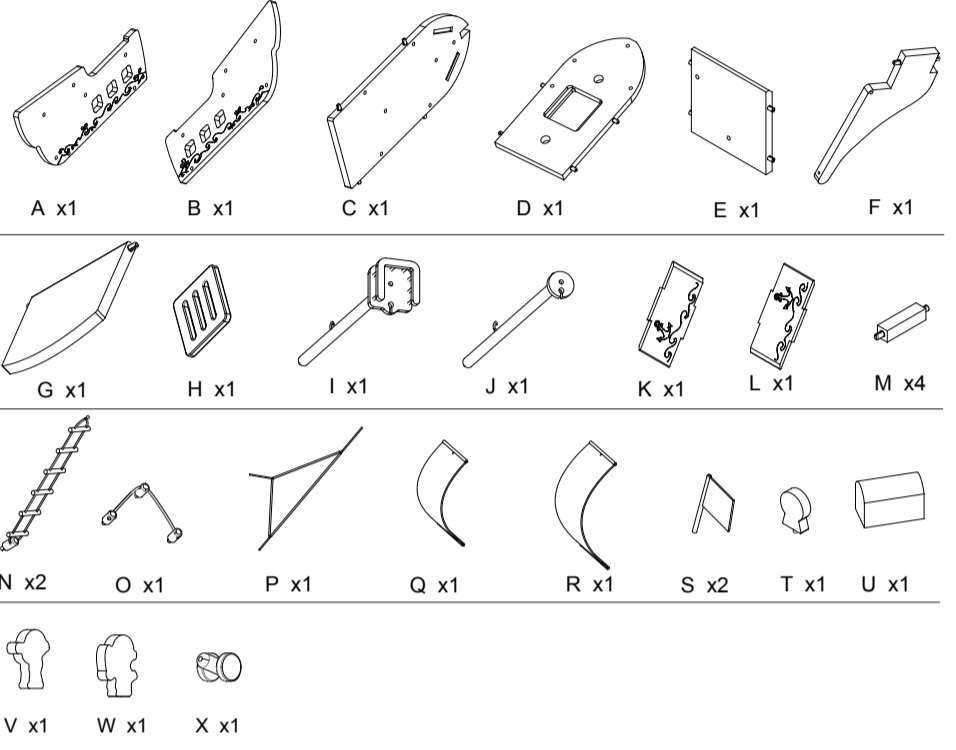
Warning

- This product contains small part which may be hazardous to your children!
- Assembling must be performed by an adult.
- Must be secured using a screwdriver.

Parts

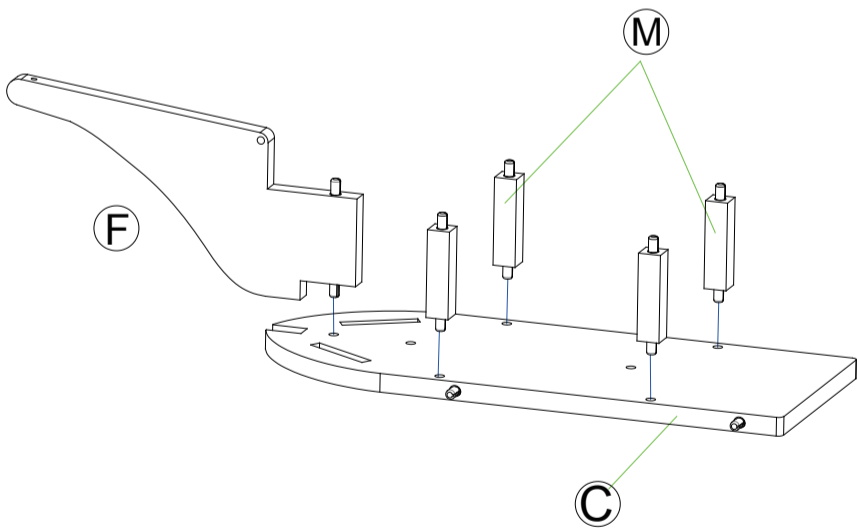
If you need help or have damaged or missing parts, call the Customer Helpline: 0345 604 0105

Please check you have all the parts and fittings listed below

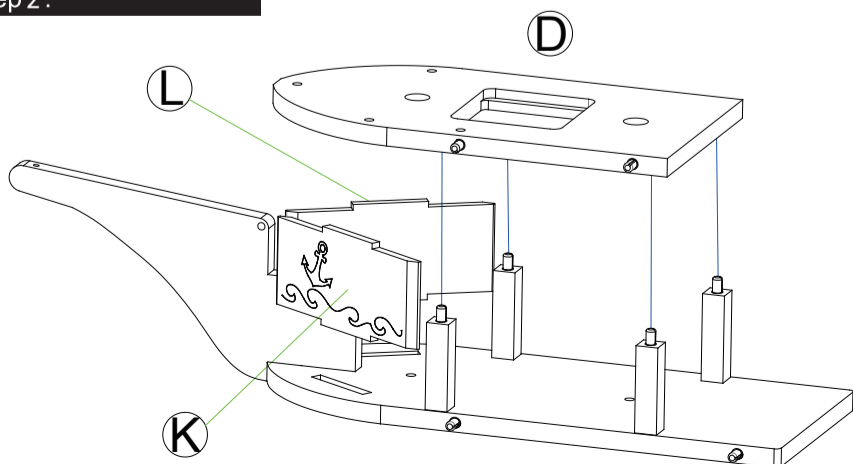


Assembly Instructions

Step 1:

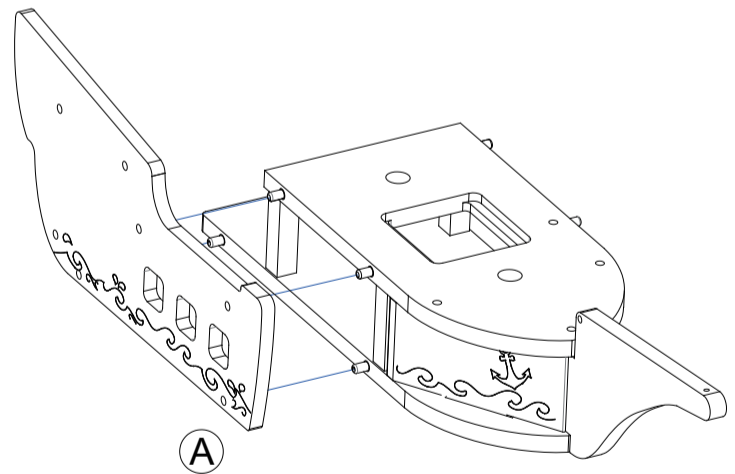


Step 2:

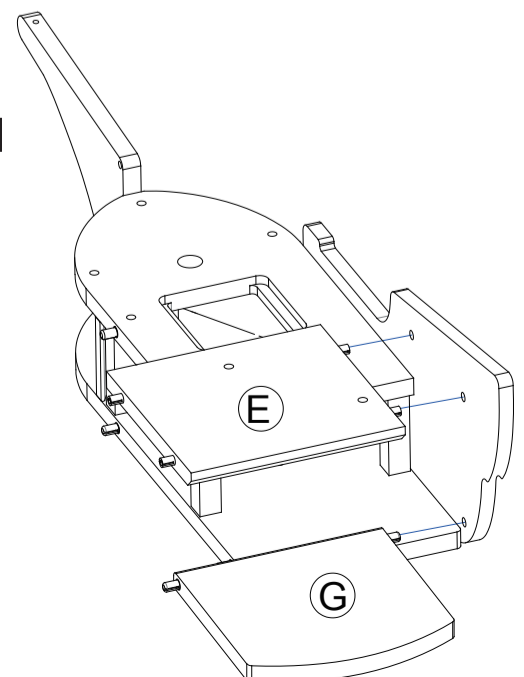


Assembly Instructions

Step 3:

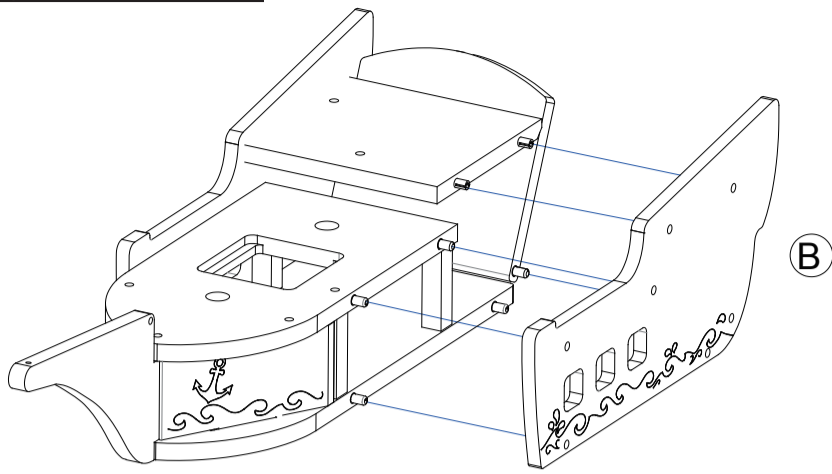


Step 4:

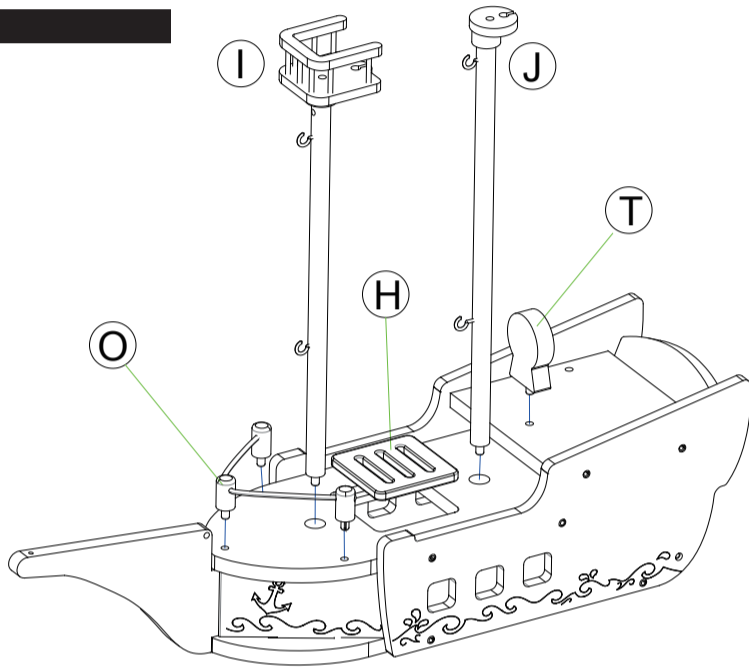


Assembly Instructions

Step 5:



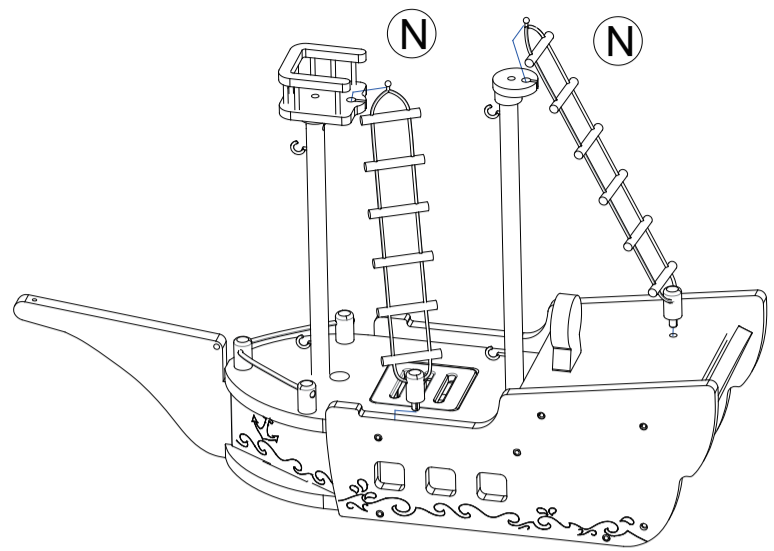
Step 6:



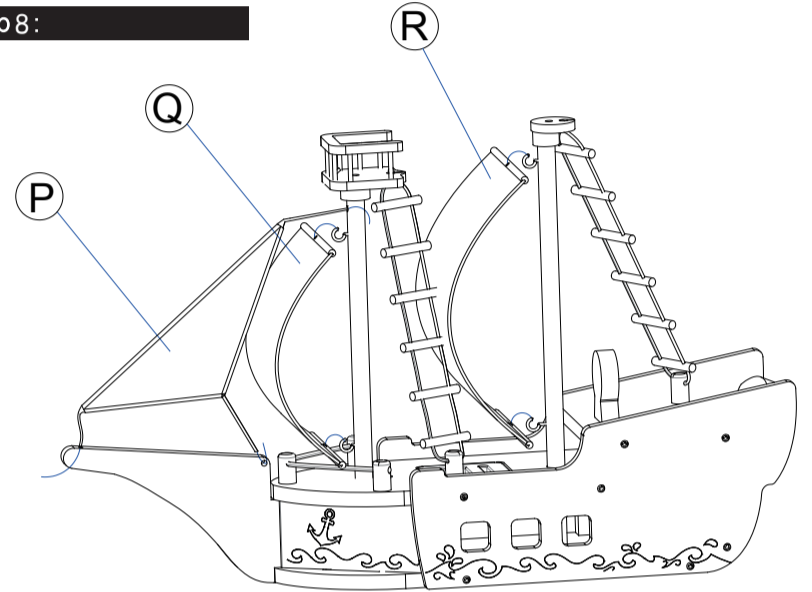
5

Assembly Instructions

Step 7:



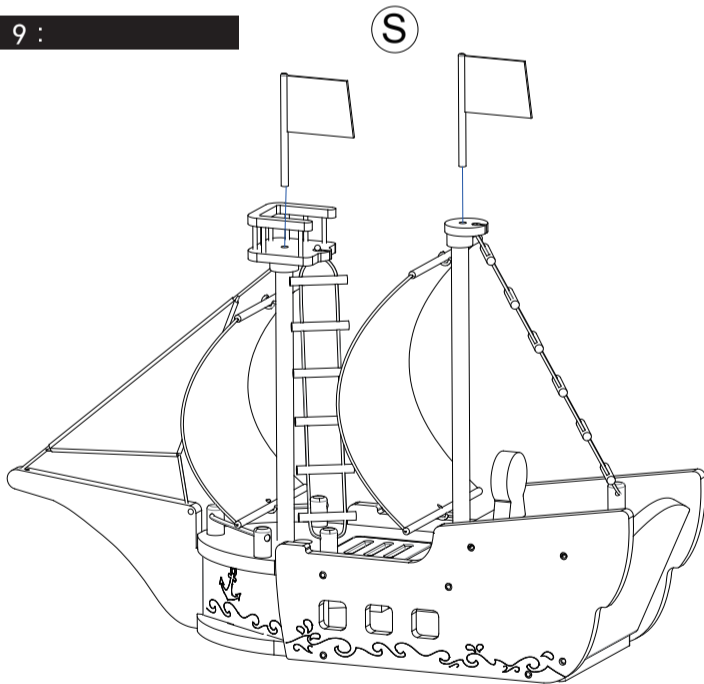
Step 8:



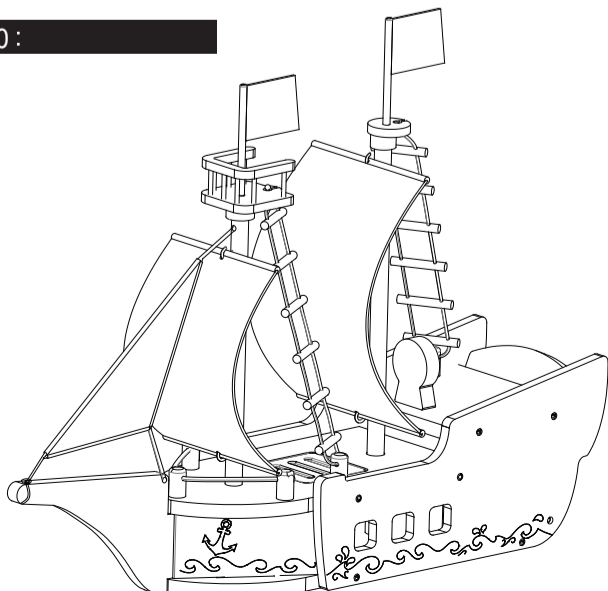
6

Assembly Instructions

Step 9 :



Step 10:



7

Care and Maintenance

- Periodically check all fittings to ensure that none have come loose.
- Any loose fittings must be tightened using the correct tool.



Not suitable for children under 3 years due to small parts, choking hazard.

If you need help or have damaged or missing parts, call the **Customer Helpline:** 0345 604 0105
 Produced for Chad Valley Toys. *Country of origin:* Made in China.
 Address: 489-499 Avebury Boulevard, Central Million Keynes, MK9 2NW.
www.argos.co.uk/chadvalley

8