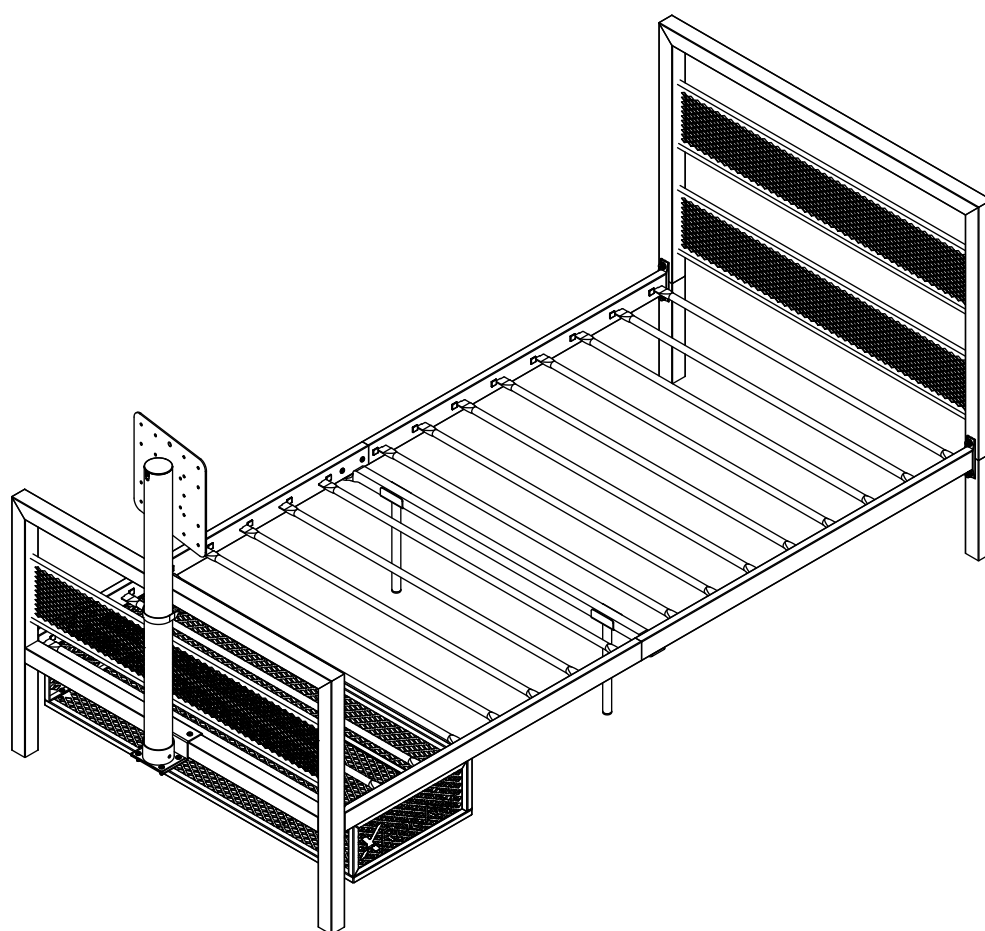


BASE CAMP TV GAMING BED

IMPORTANT - READ CAREFULLY - RETAIN FOR FUTURE REFERENCE

XRocker.

Watch the unboxing video here!



Dimensions

Width - 205 cm
Depth - 95.7 cm
Height - 108.6 cm

Need Help? Contact X Rocker at:
www.xrockeruk.com/pages/support

IMPORTANT: You must keep your original retail receipt as proof of purchase.



Safety and Care Advice

Important - Please read these instructions fully before starting assembly

- Check you have all the components and tools listed on the following pages.
- Remove all fittings from the plastic bags and separate them into their groups.
- Keep children and animals away from the work area, Small parts may cause a choking hazard.
- Parts of the assembly will be easier with 2 people.
- Make sure you have enough space to layout the parts before starting.
- Assemble the item as close to its final position (in the same room) as possible.
- Dispose of all packaging carefully and responsibly.
- Place the product on a flat and steady surface during use.
- Assemble on a soft level surface to avoid damaging the unit or your floor.
- Keep these instructions for further use.
- To ensure an easier assembly we strongly advise that all fittings are only finger tightened during initial assembly. Only upon completion of the assembly should all fixing points be fully tightened.

Care and maintenance

- Only clean using a damp cloth and mild detergent, do not use bleach or abrasive cleaners.
- From time to time check that there are no loose screws on this unit.

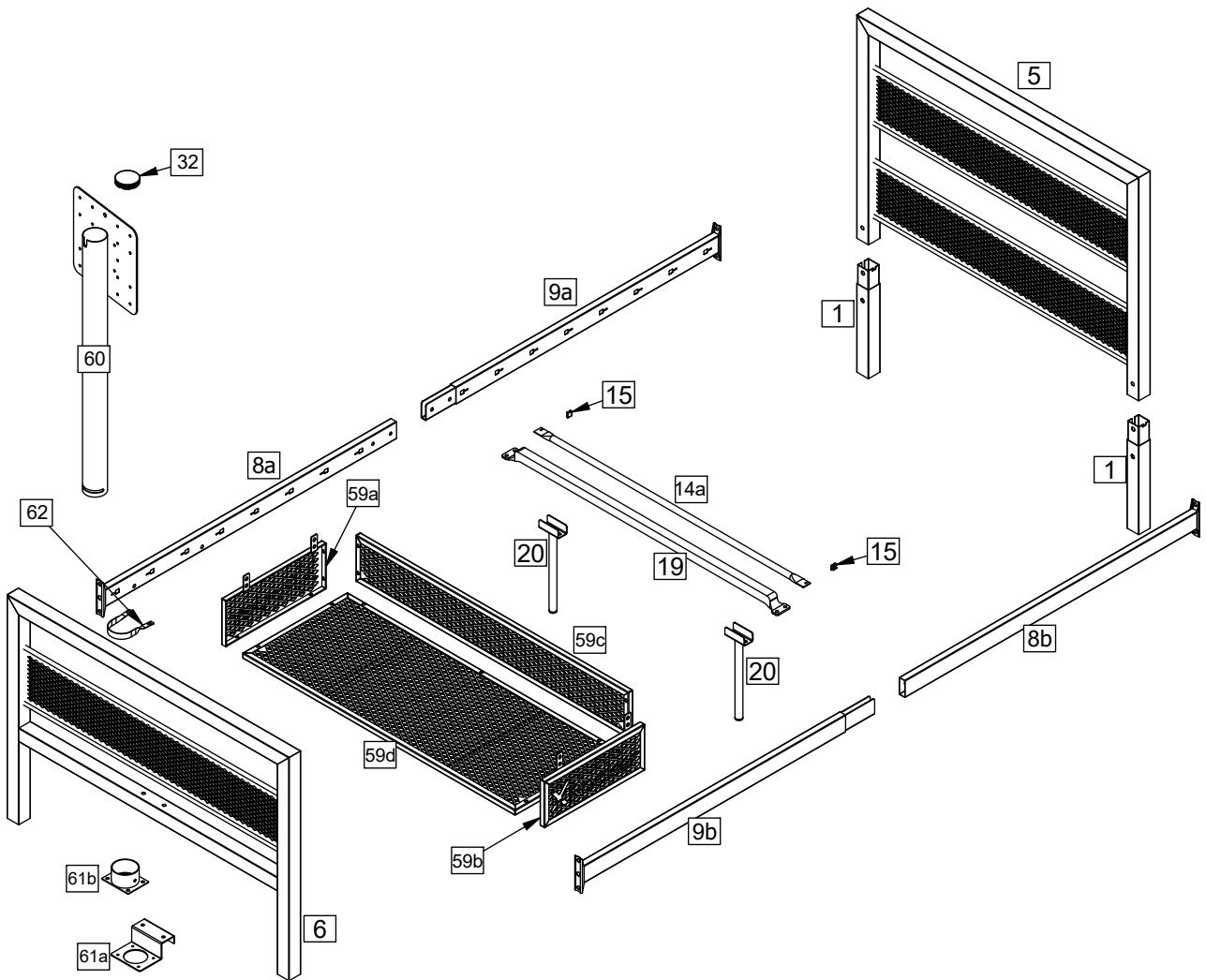
Handy Hints

- Assemble all parts and bolts loosely during assembly, only once the product is complete should you fully tighten the bolts
- Regularly check and ensure that all bolts and fittings are tightened properly.

Components - Panels

Please check you have all the panels listed below

PARTS

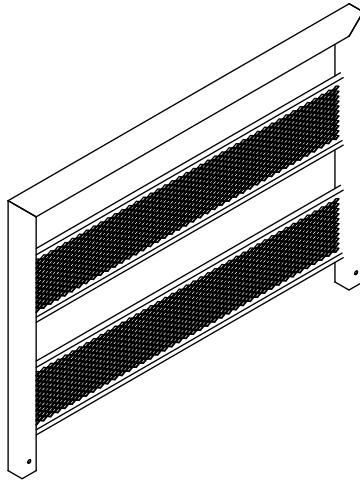


Components - Panels

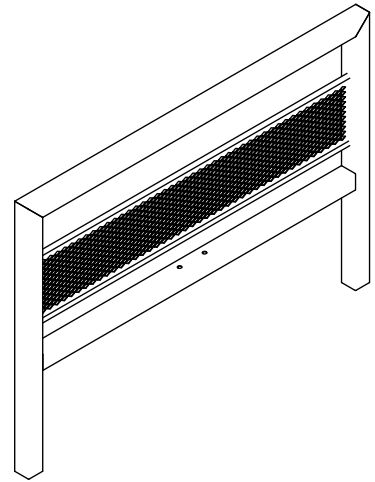
Please check you have all the panels listed below



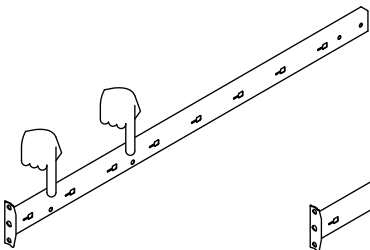
1 Post X 2



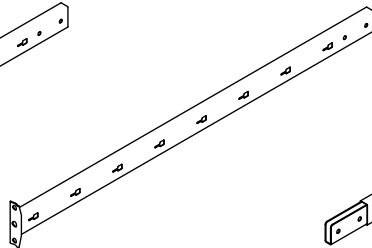
5 Headboard X 1



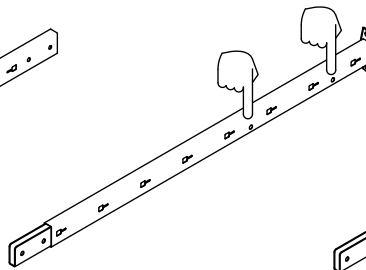
6 Footboard X 1



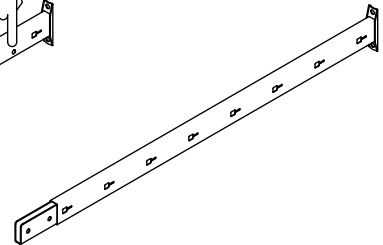
8a Side rail 01 x 1



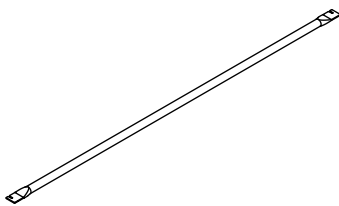
8b Side rail 02 x 1



9b Side rail 03 x 1



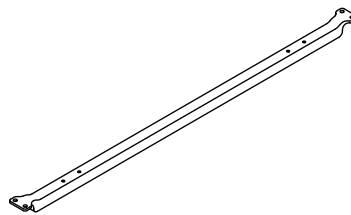
9a Side rail 04 x 1



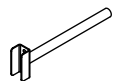
14a Slats X 16



15 Plastic Plug X 32



19 Brace X 1



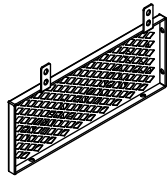
20 Leg X 2

Components - Panels

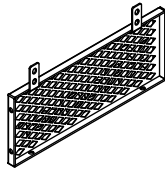
Please check you have all the panels listed below



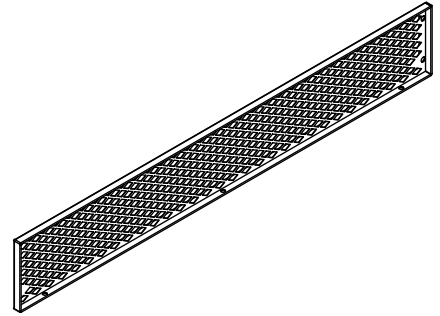
32 Cap x 1



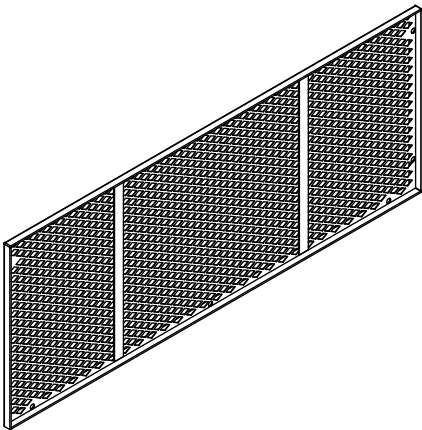
59a Left Mesh Panel x 1



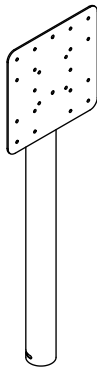
59b Right Mesh Panel x 1



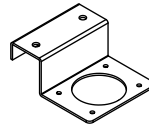
59c Rear Mesh Panel x 1



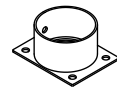
59d Bottom Mesh Panel x 1



60 TV mount X 1



61a Mounting seat X 1



61b Mounting sleeve X 1

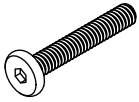



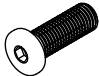




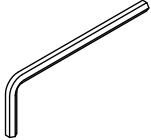
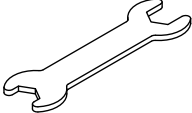
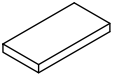




62 Buckle X 1

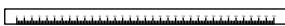
Components - Fittings

Please check you have all the panels listed below

Note: The quantities below are the correct amount to complete the assembly. In some cases more fittings may be supplied are required.

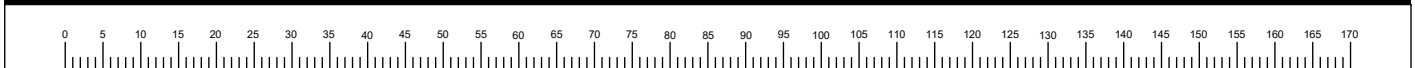
<p>N</p>  <p>38mm M6 Bolt x 2</p>	<p>A</p>  <p>22mm M6 Bolt x 9</p>	<p>B</p>  <p>18mm M6 Bolt x 23</p>
<p>C</p>  <p>10mm M6 Bolt x 4</p>	<p>D</p>  <p>22mm M8 Bolt x 8</p>	<p>E</p>  <p>Nut M6 X 1</p>
<p>F</p>  <p>M8 Spring washer x 8</p>	<p>G</p>  <p>M8 Metal washer x 8</p>	<p>H</p>  <p>Plastic washer x 8</p>
<p>I</p>  <p>Allen Key x 1</p>	<p>J</p>  <p>Wrench x 1</p>	<p>K</p>  <p>EVA 01 x 1</p>
<p>L</p>  <p>EVA 02 x 1</p>	<p>M</p>  <p>M4 Metal washer x 4</p>	

Tools required



Ruler/tape
measure

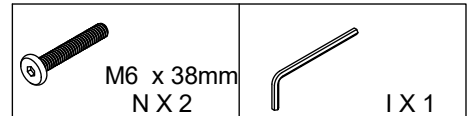
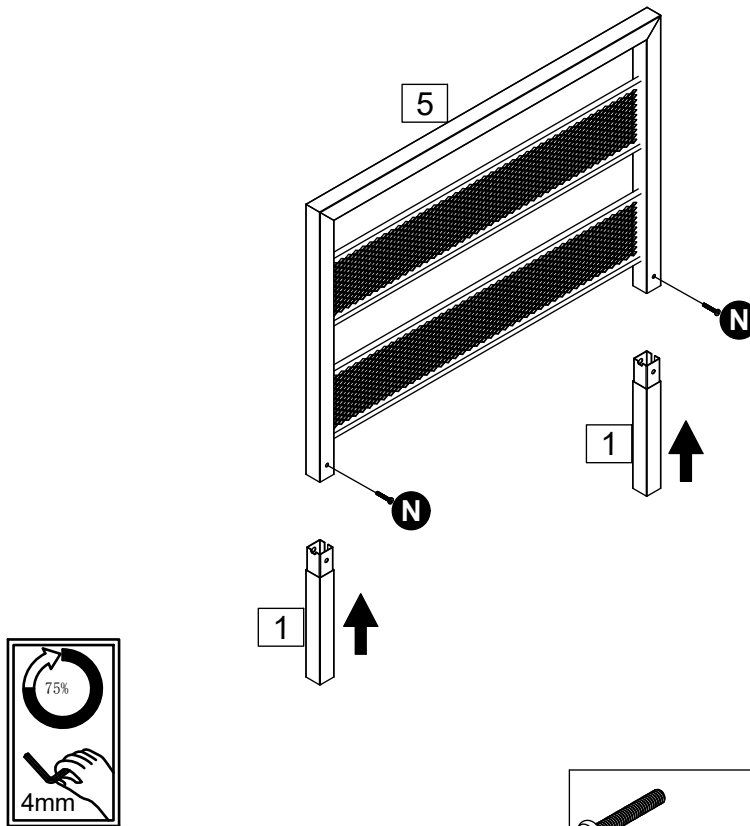
Ruler - User this ruler to help correctly identify the screws



Assembly Instructions

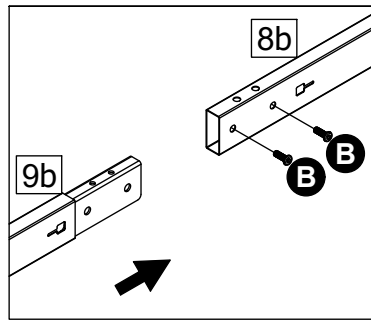
Step 1

Insert Post **1** x 2 into
Headboard **5** with **N**.

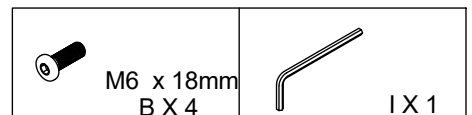
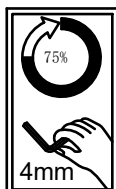
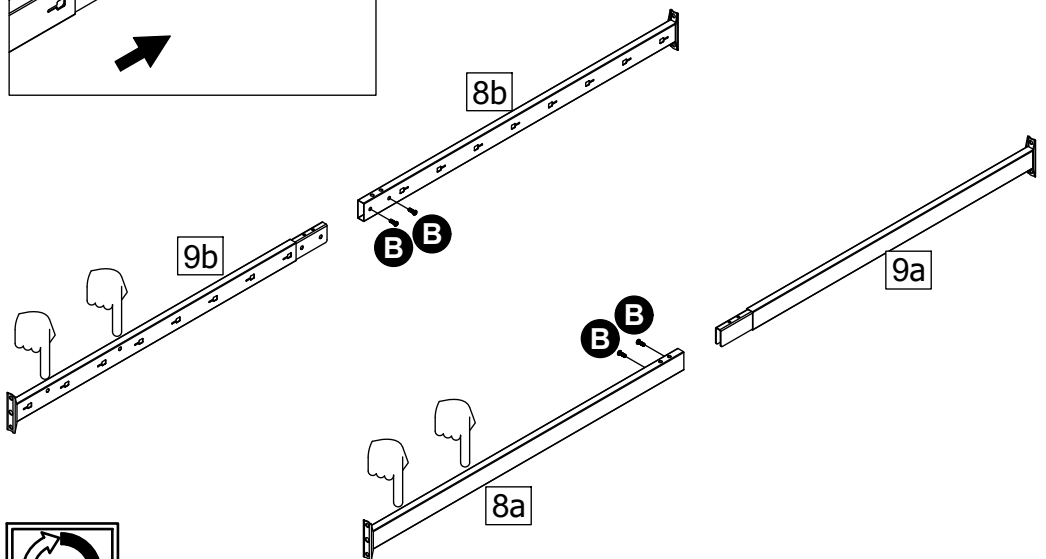


Step 2

Insert Side rail 03 **9b** into
Side rail 02 **8b** with **B**.



Insert Side rail 04 **9a** into
Side rail 01 **8a** with **B**.

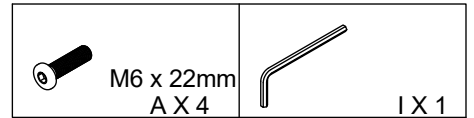
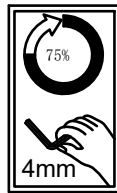
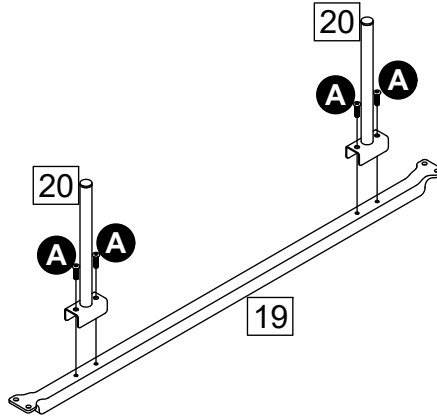


Assembly Instructions

Step 3

Attach Leg **20** x 2 to Brace

19 with **A**.

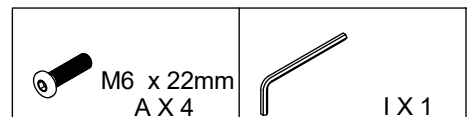
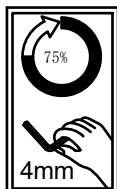
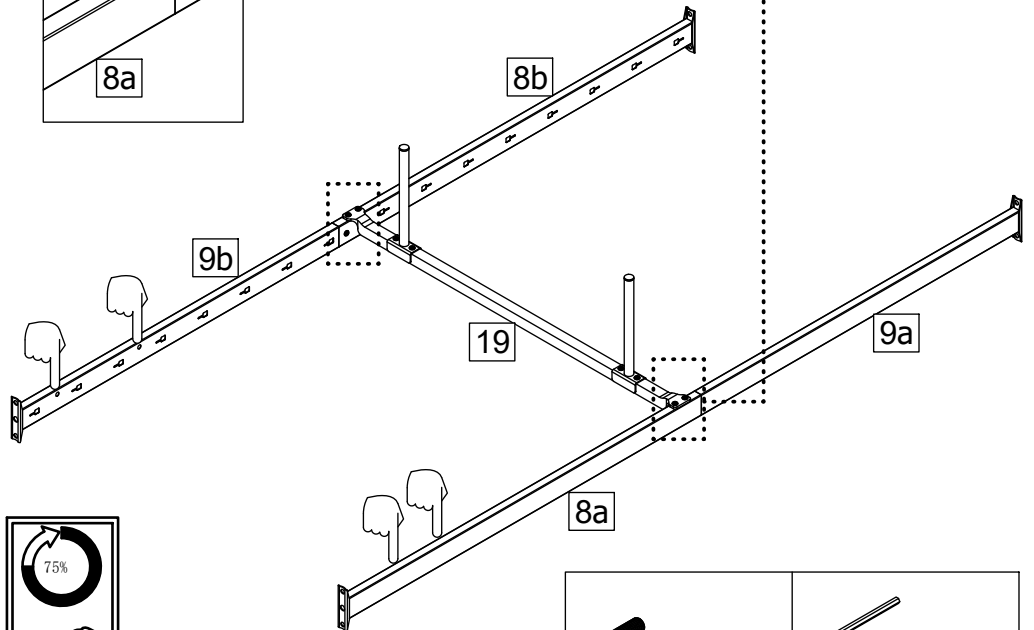
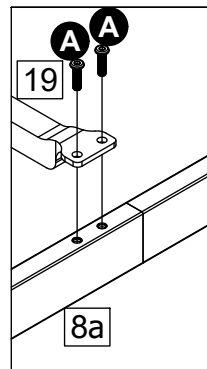


Step 4

Attach Brace **19** to Side rail

01 **8a** and Side rail 02 **8b**

with **A**.

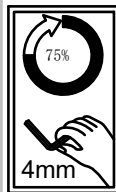
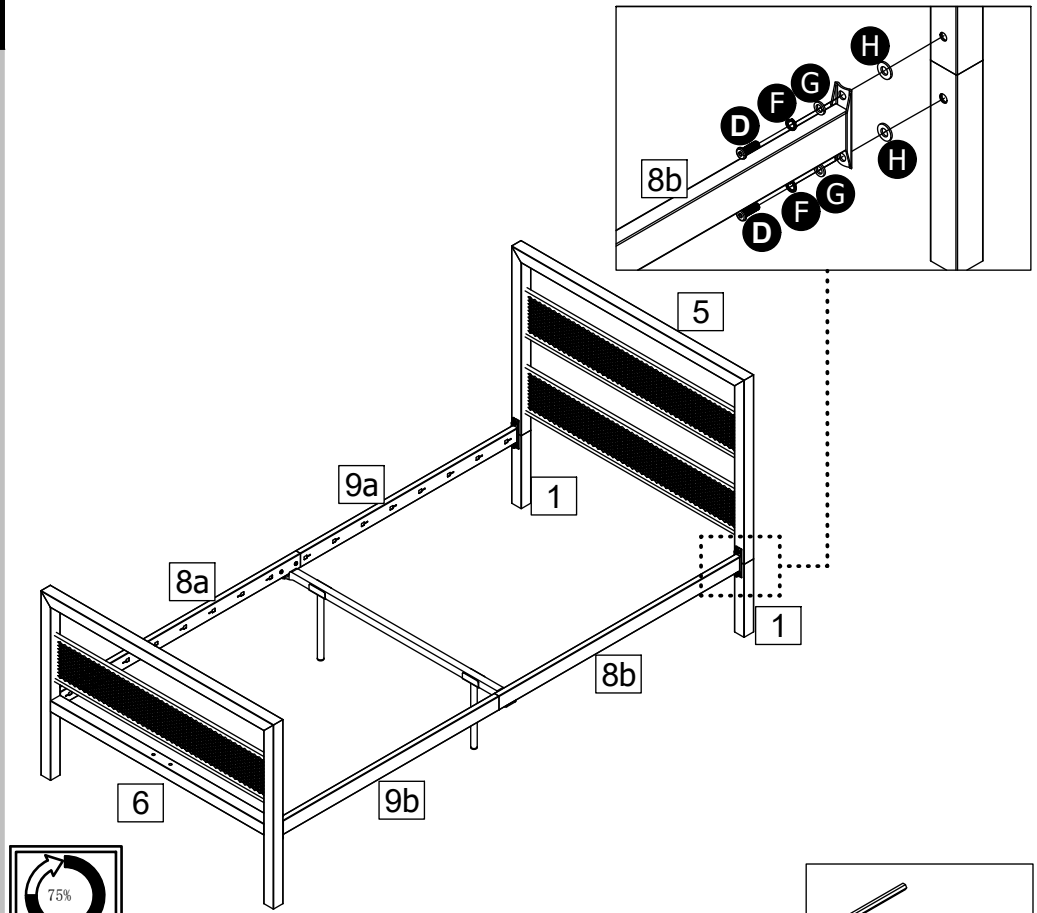






Assembly Instructions

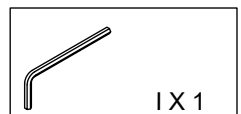
Step 5

Attach Footboard **6** to Side rail 01 **8a** and Side rail 03 **9b** with **D F G H**.

Attach Headboard **5** to Side rail 02 **8b** and Side rail 04 **9a** with **D F G H**.

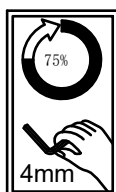
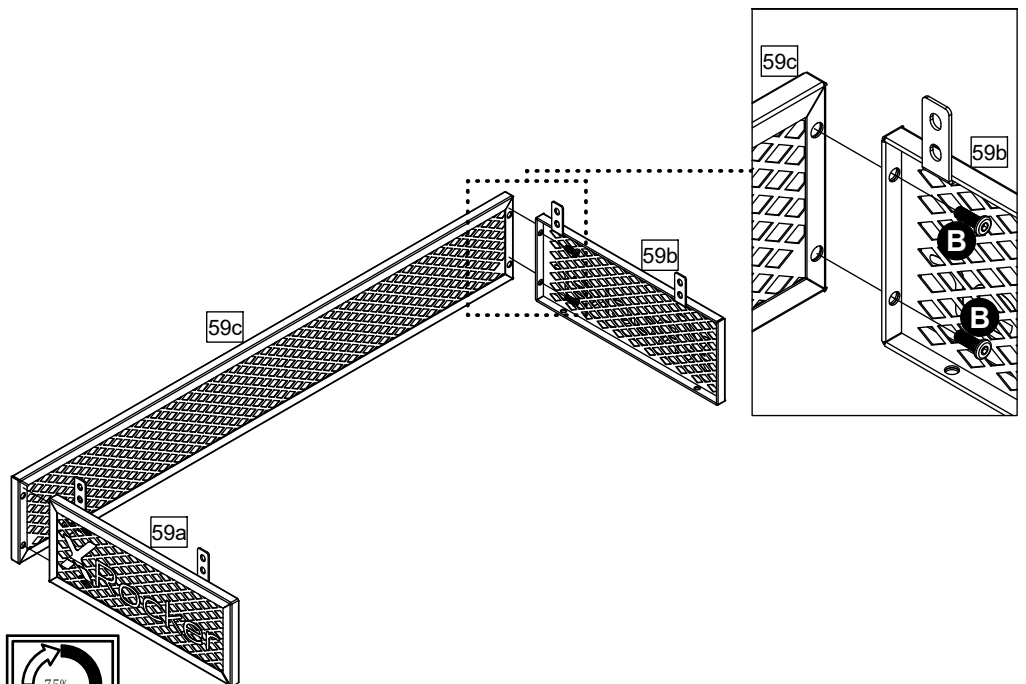



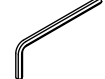
 M8 x 22 mm D X 8	 M8 Spring washer F x 8	 M8 Metal washer G x 8	 Plastic washer H x 8
---	---	--	---



Step 6

Attach Rear Mesh Panel **59c** to Right Mesh Panel **59b** and Left Mesh Panel **59a** with **B**.



 M6 x 18mm B X 4	 I X 1
--	---

Assembly Instructions

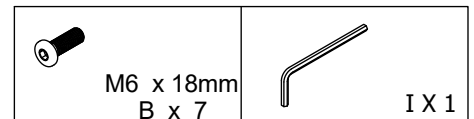
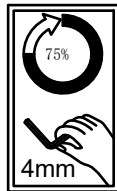
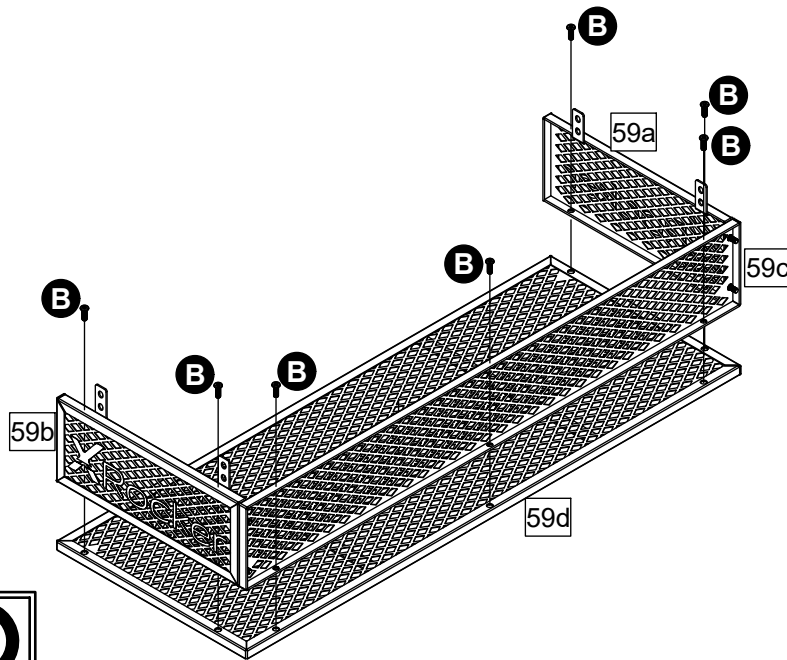
Step 7

Attach Bottom Mesh Panel

59d to Right Mesh Panel 59b

/Left Mesh Panel 59a and

rear Mesh Panel 59c with **B**



Step 8

Attach Right Mesh Panel 59b

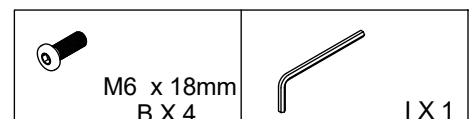
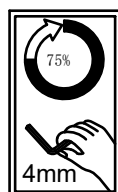
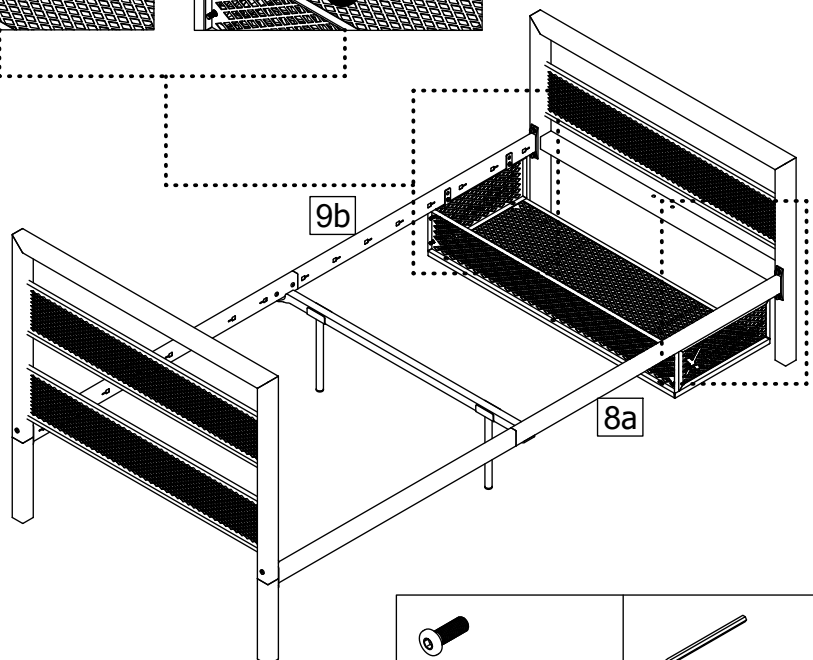
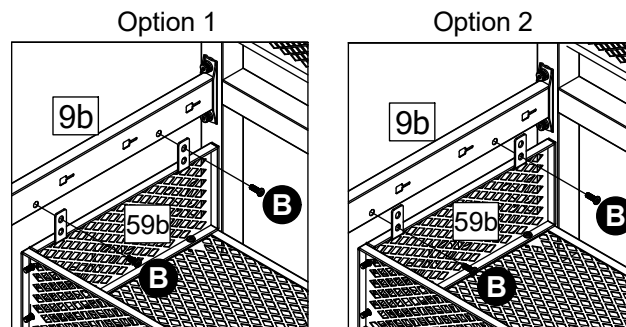
to Side rail 03 9b and Left

Mesh Panel 59a to Side rail

01 8a with **B**.

- For devices that are less than 14.5cm in height (laid horizontally) attach the mesh panel using the lower bolt hole.

- For devices that exceed 14.5cm (up to 16.5cm) or those that require extra clearance, attach the mesh panel using the upper bolt hole.

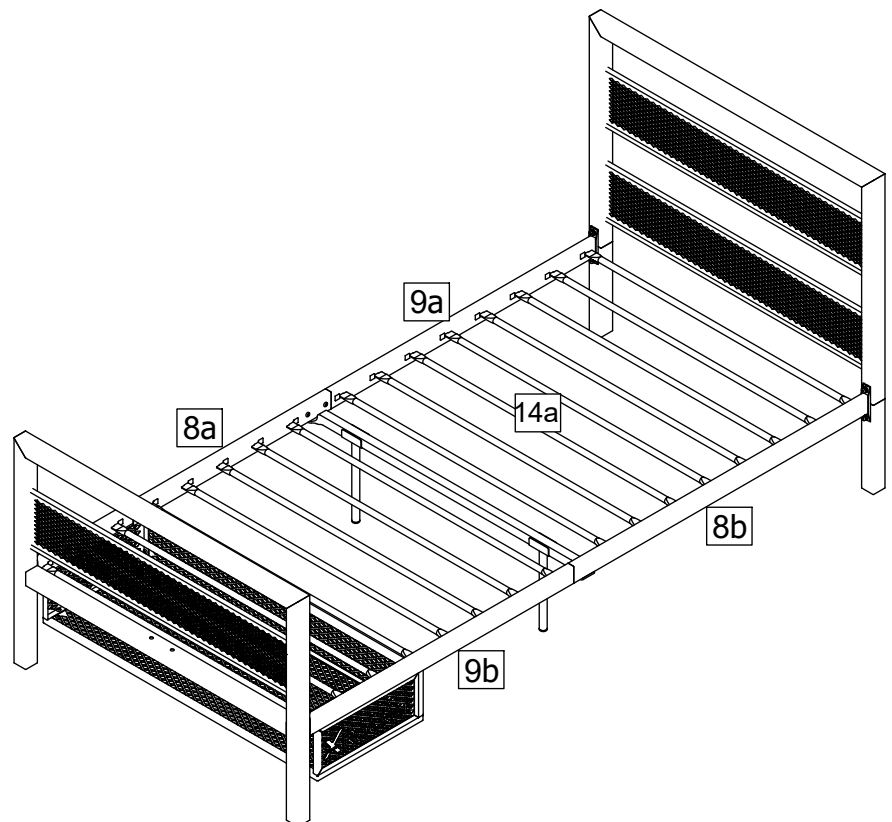
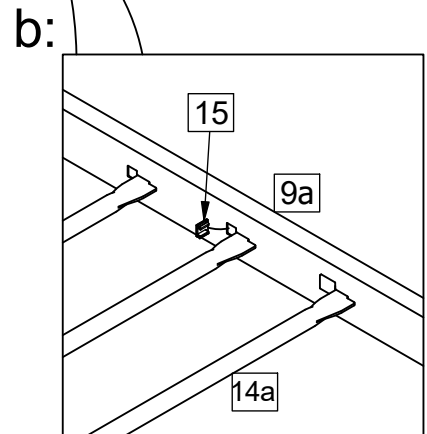
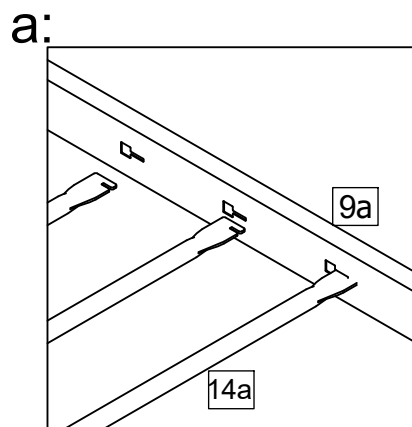
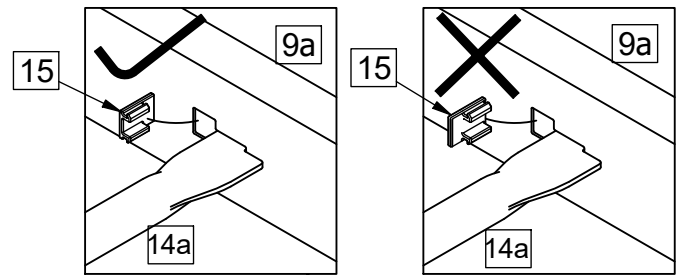


Assembly Instructions

Step 9

a: Secure the slats **14a** x24 to Side rail 01 **8a**/Side rail 02 **8b**/Side rail 03 **9b** and Side rail 04 **9a**.

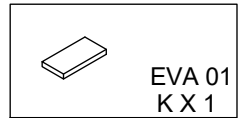
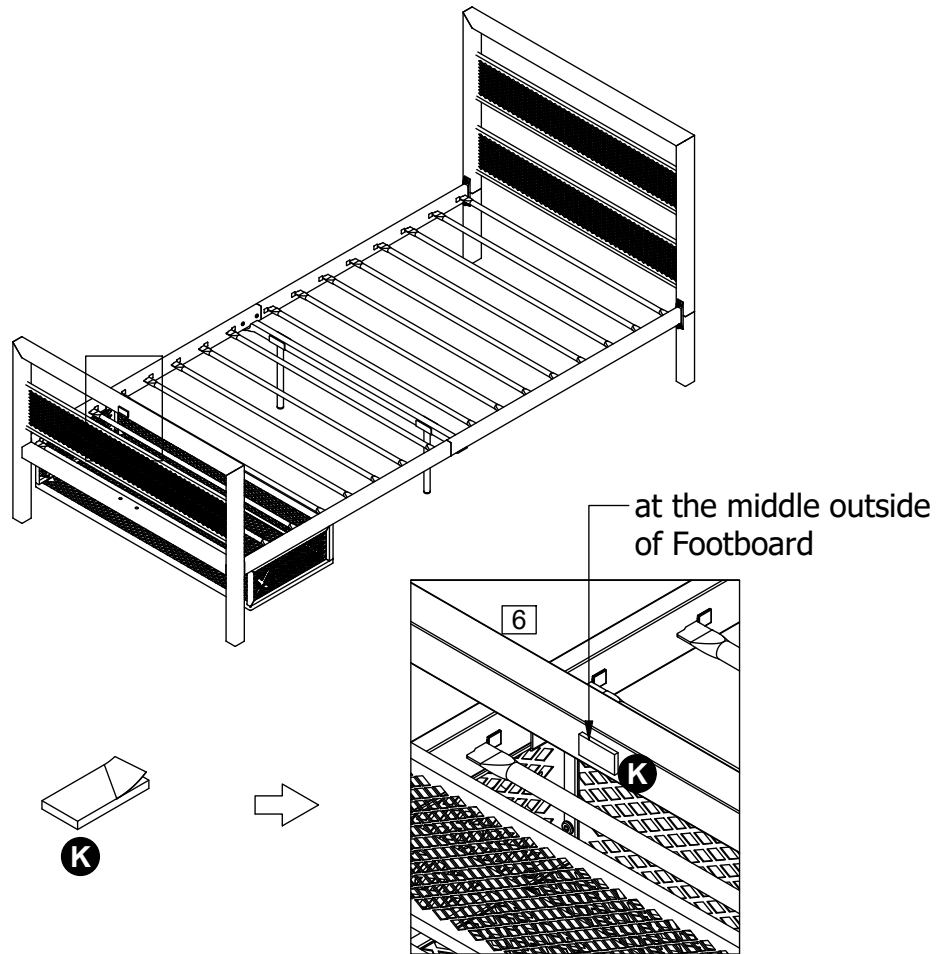
b: Secure the plastic plug **15** x48 to Side rail 01 **8a**/Side rail 02 **8b**/Side rail 03 **9b** and Side rail 04 **9a**.



Assembly Instructions

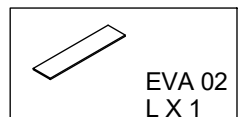
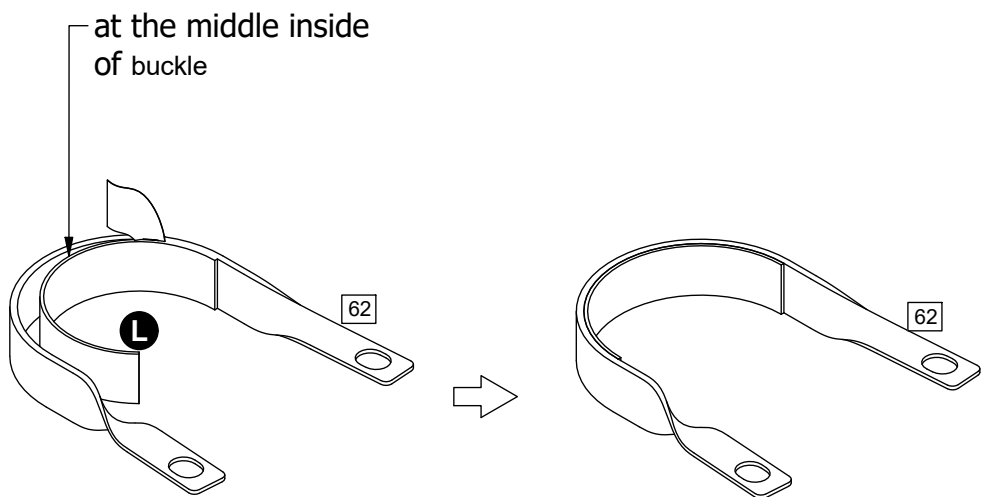
Step 10

Attach EVA 01 **K** to the middle of footboard **6** as shown.



Step 11

Attach EVA 02 **L** to the middle of buckle **62** as shown.



Assembly Instructions

Step 12

a: Attach Mounting sleeve **61b** to Mounting seat **61a** with **C**.

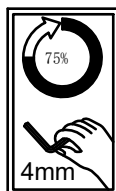
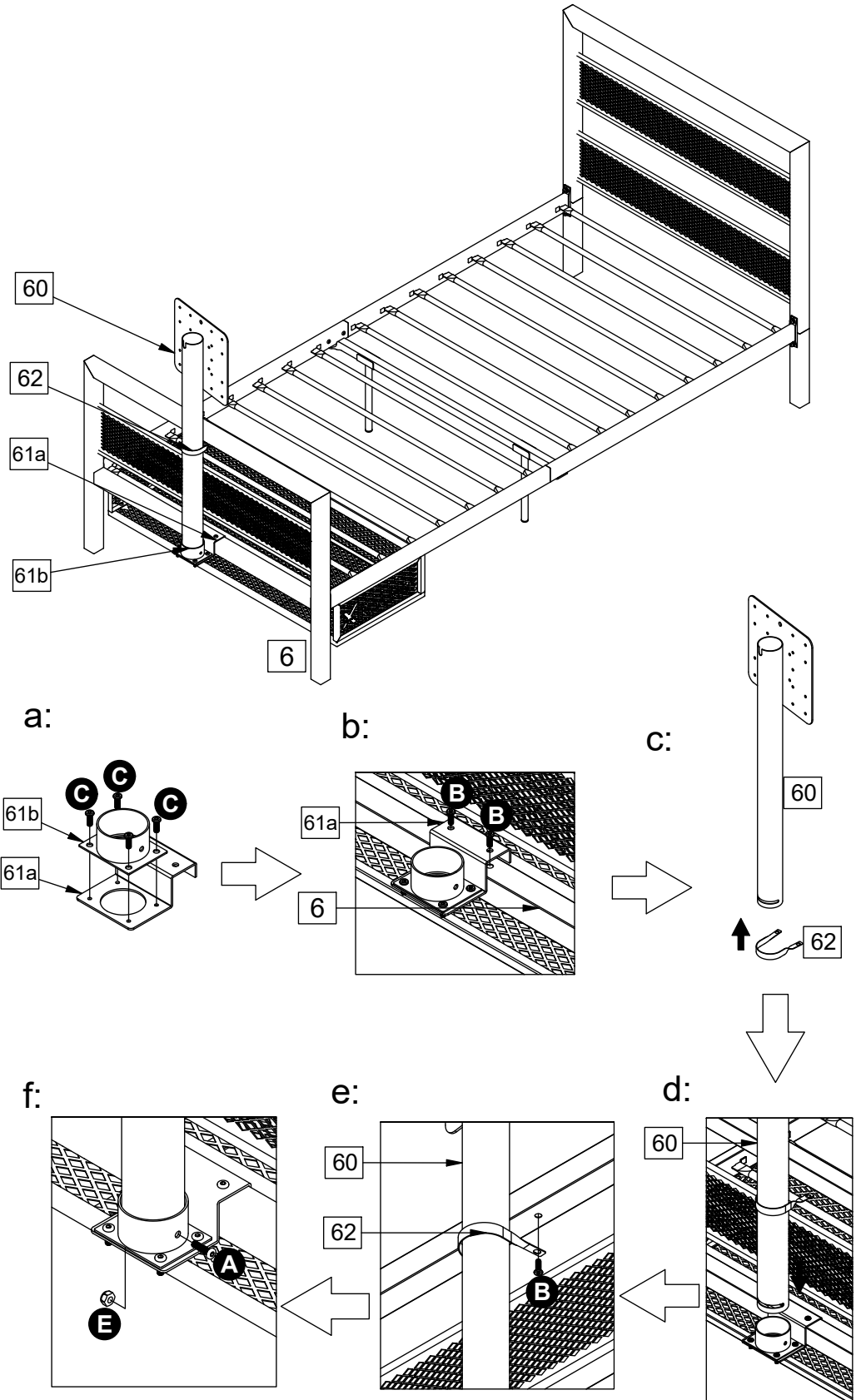
b: Attach Mounting seat **61a** to Footboard **6** with **B**.





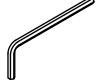

c: Insert TV mount **60** to Buckle **62**.

d: Insert TV mount **60** to Mounting sleeve **61b**.

e: Attach Buckle **62** to Footboard **6** with **B**.

f: Connect TV mount **60** and Mounting sleeve **61b** with **A**.



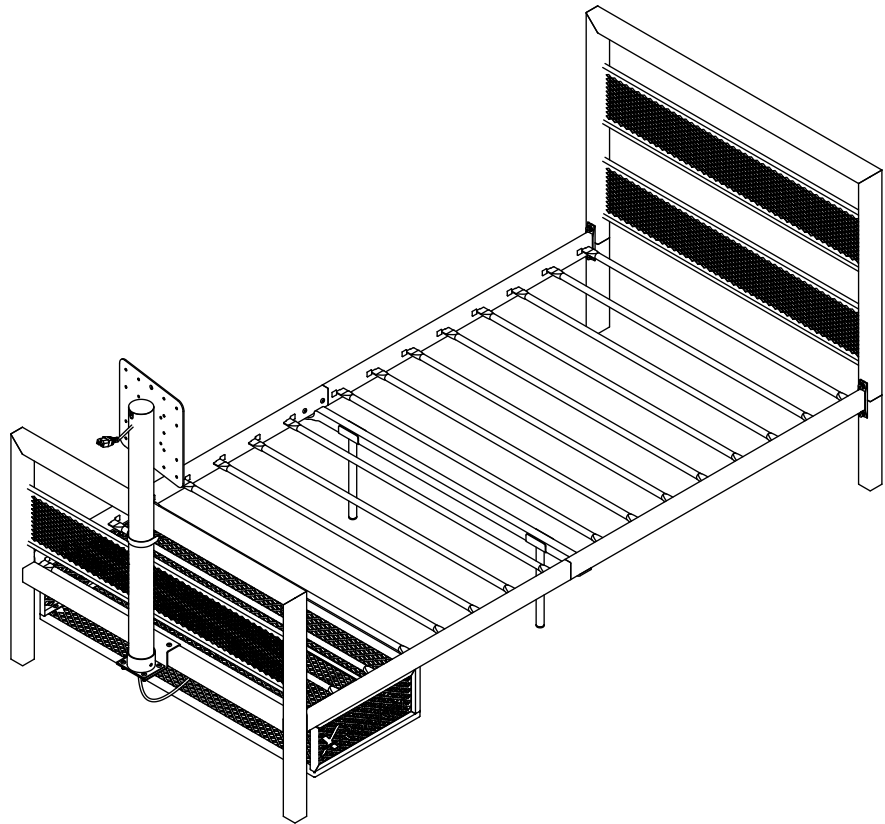
 M6 x 22mm A X 1	 M6 x 18mm B X 4	 M6 x 10 mm C X 4	 Nut M6 E X 1
		 I X 1	 J X 1

Assembly Instructions

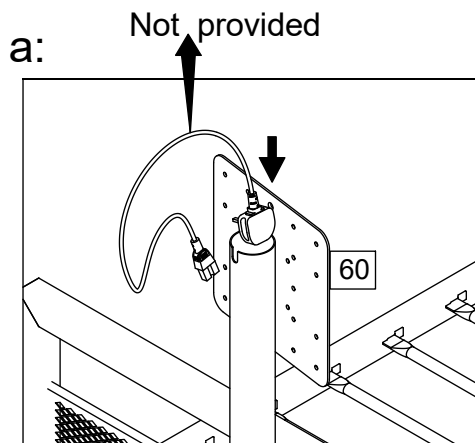
Step 13

a: Cable (not provided) to pass through the TV mount **60** from top of the pole.

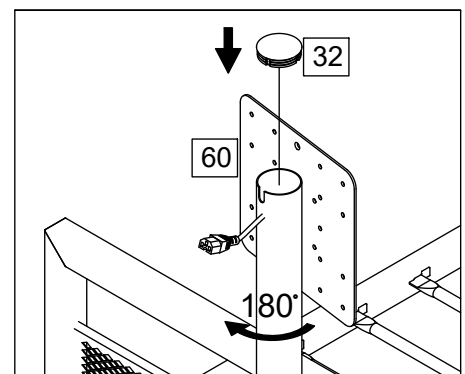
Please note: A minimum power cable length of 1.4m is required to connect the mounted TV to the undercarriage of the bed. Please check your TV cable length before installation to ensure fit.



b. Cover the pole of TV mount **60** with cap **32**.

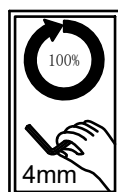


b/c:



c. The pole can be rotated by 180° as needed.

Note 1: The TV mount mates with M6 screw.
If you're using M4 screw to assemble the TV screen, please use part M washer as provided to make sure M4 screw could be also workable for it.



Note 2: If the TV pole can't be rotated freely, please loosen Screw **A** in step 12 (f) a little. Do not 100% tighten it.