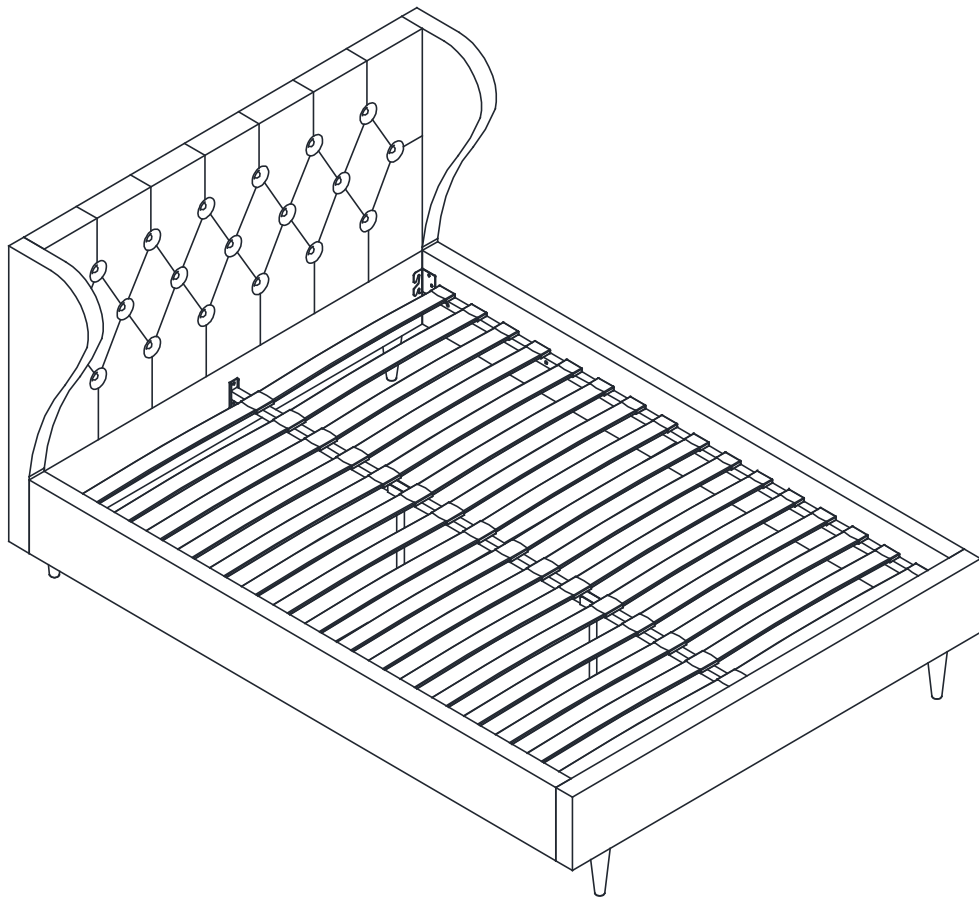



Condor 4ft6 Bed


habitat 




Spare Parts

 www.argos-support.co.uk

 Help@ClickSpares.co.uk

 0370 112 1928

Customer Support

 0345 640 2020



Safety and Care Advice

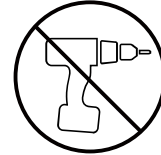
Product Details

CONDOR FABRIC 4FT6 9459126

IMPORTANT, RETAIN FOR FUTURE REFERENCE: READ CAREFULLY.

- Keep children and animals away from the work area, small parts could choke if swallowed.
- Make sure you have enough space to layout the parts before starting.
- This product has been constructed to be used in the domestic environment only and not for commercial purposes.

- Assemble the item as close to its final position (in the same room) as possible.
- Assemble on a soft level surface to avoid damaging the unit or your floor.



- We do not recommend the use of power drill/drivers for inserting screws as this could damage the unit. Only use hand screwdrivers.
- Parts of the assembly will be easier with 2 people.
- Dispose of all packaging carefully and responsibly.

Care and maintenance

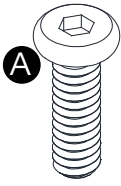
- Only clean using a damp cloth and mild detergent. Do not use abrasive cleaners.
- Use a dry cloth to clean the product, furniture polish is not recommended.
- From time to time check that there are no loose screws, nuts or bolts. If there are please re-tighten.
- This product should not be discarded with household waste. Take to your local authority waste disposal centre.

Additional Guidance

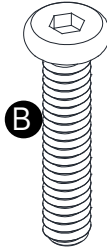
- Assemble all parts and bolts loosely during assembly, only once the product is complete should you fully tighten the bolts.
- Regularly check and ensure that all bolts and fittings are tightend properly.
- Maximum user weight 140kg(refer to BS EN1725)
- This product is compliant BS EN1725:1998

Fittings (Shown to scale)

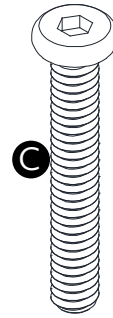
Bag 1



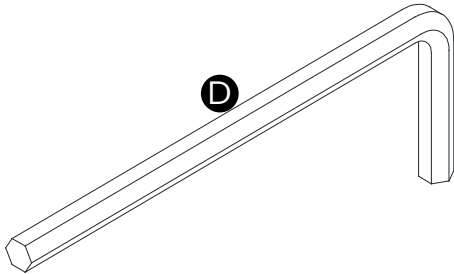
20 mm Bolt M6 x 43



30 mm Bolt M6 x 14

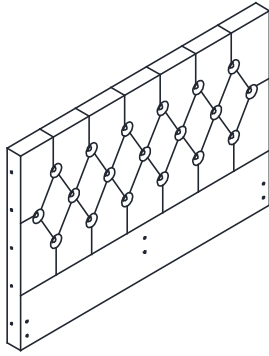


40 mm Bolt M6 x 12

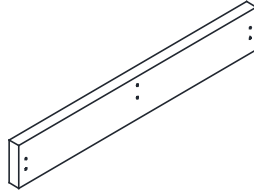


Allen Key x1

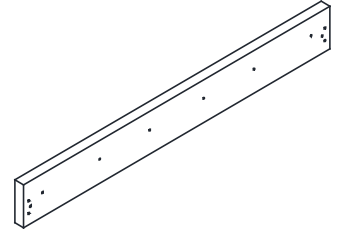
Panels



1 Head Board
(1380 X 940 mm)



2 Foot Board
(1480 X 230 mm)



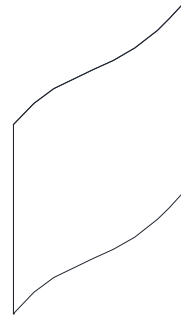
3 Side Panel x2
(1925 X 230 mm)



5 Side Board 01
(940 X 305mm)

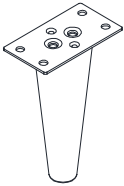


6 Side Board 02
(940 X 305 mm)



7 Back fabric Panel
(1360 X 910 mm)

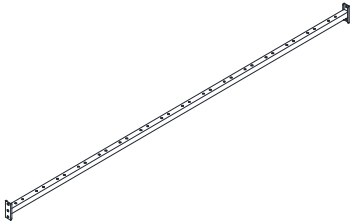
Hardware



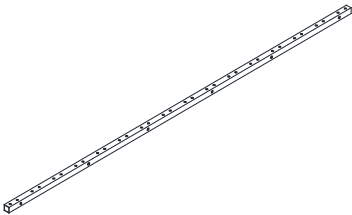
8 Leg x 4
(152 mm)



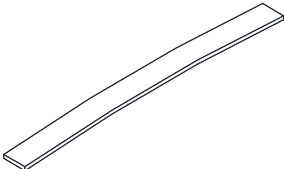
9 Support Leg x 2
(259 mm)



10 Center Rail
(1925 mm)



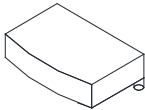
11 Side Rail 01x2
(1816 mm)



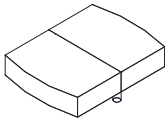
14 Wooden Slat x32
(688 mm)



15 Cross Rail
(1377 mm)



16 Single Slat Cap x 32
(36 mm)



17 Double Slat Cap x 16
(68 mm)

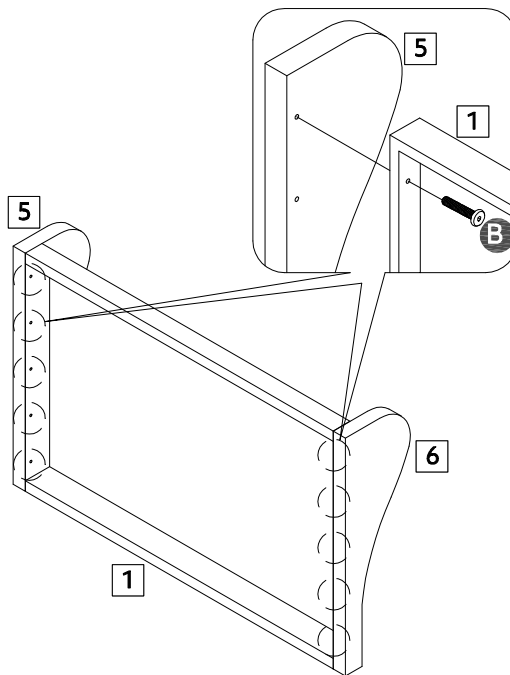
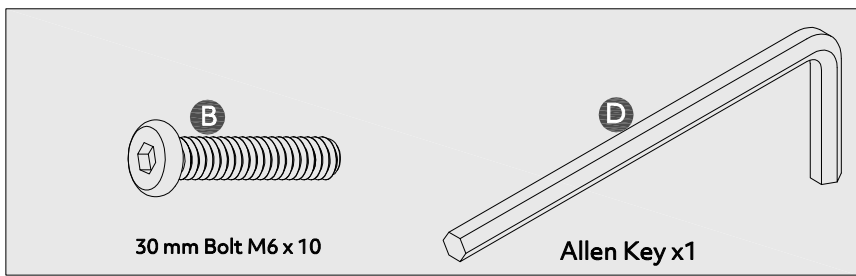
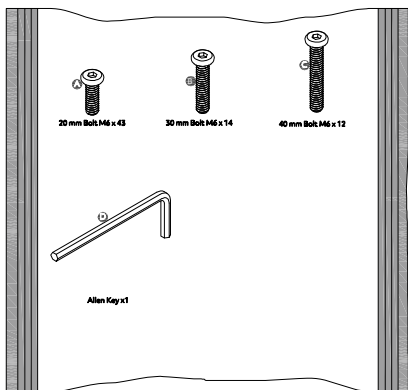


18 Bracket L x2
(80mm)

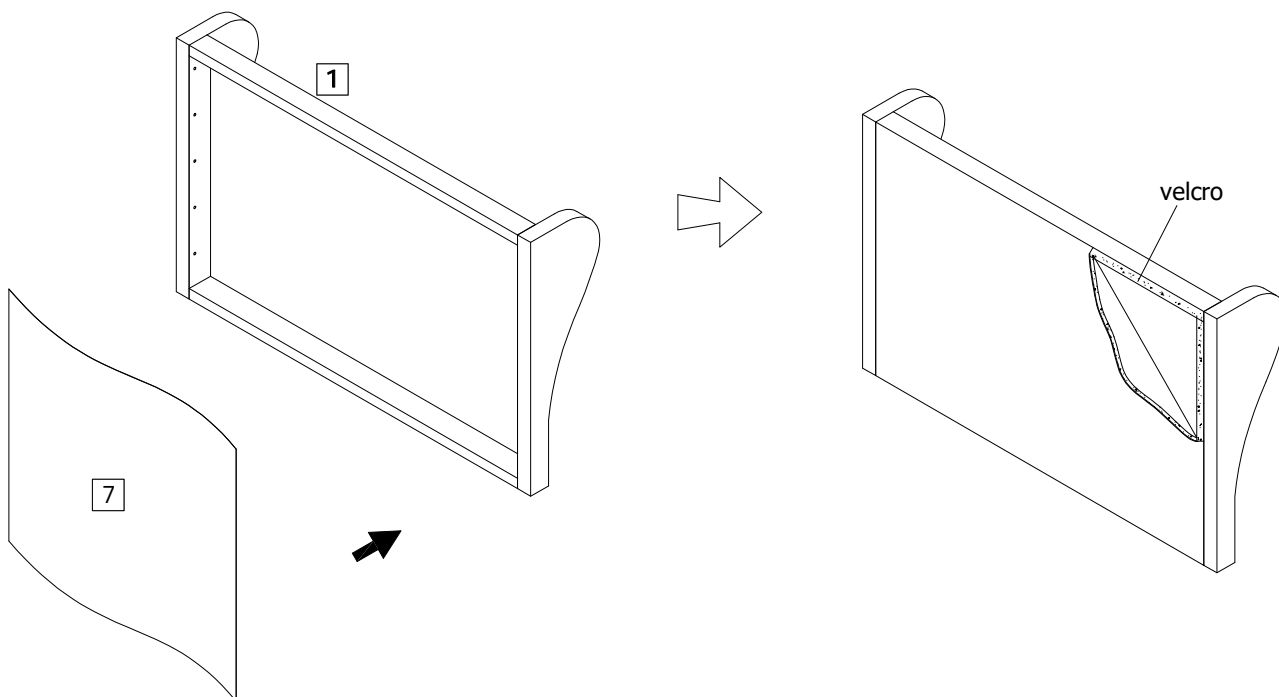


19 Bracket R x2
(80mm)

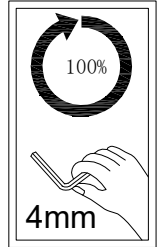
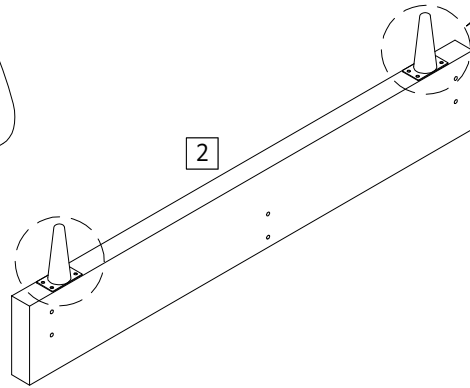
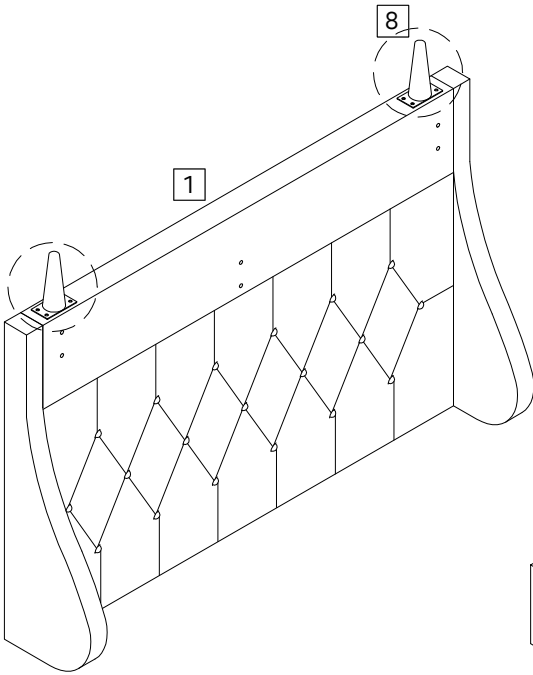
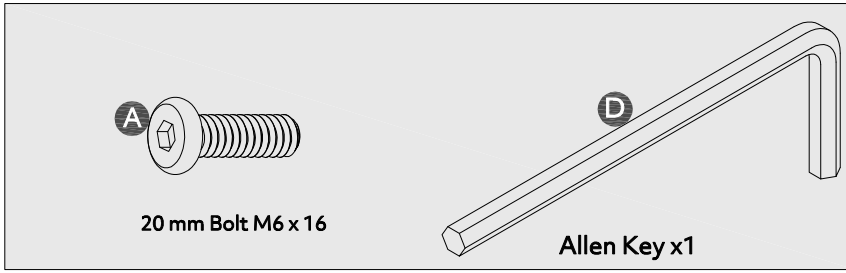
1



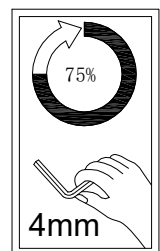
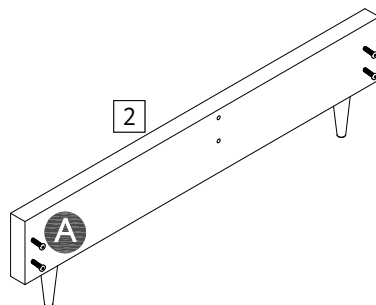
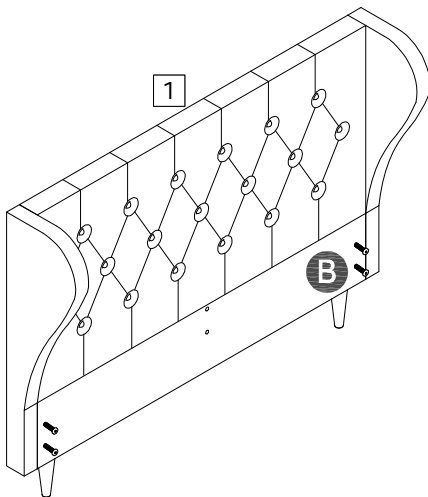
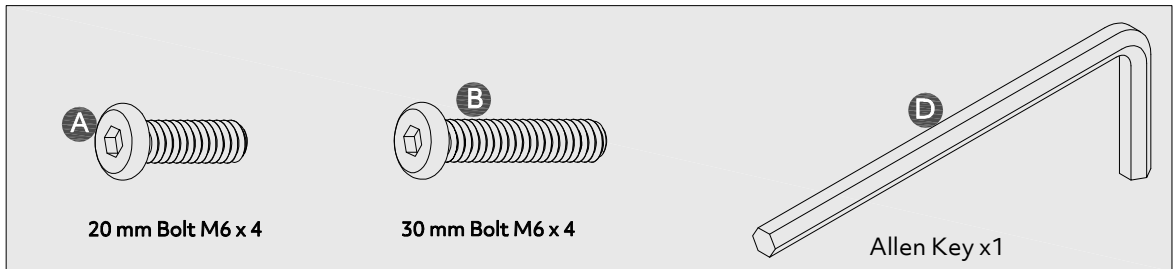
2



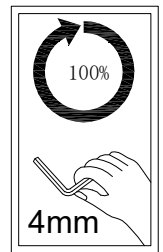
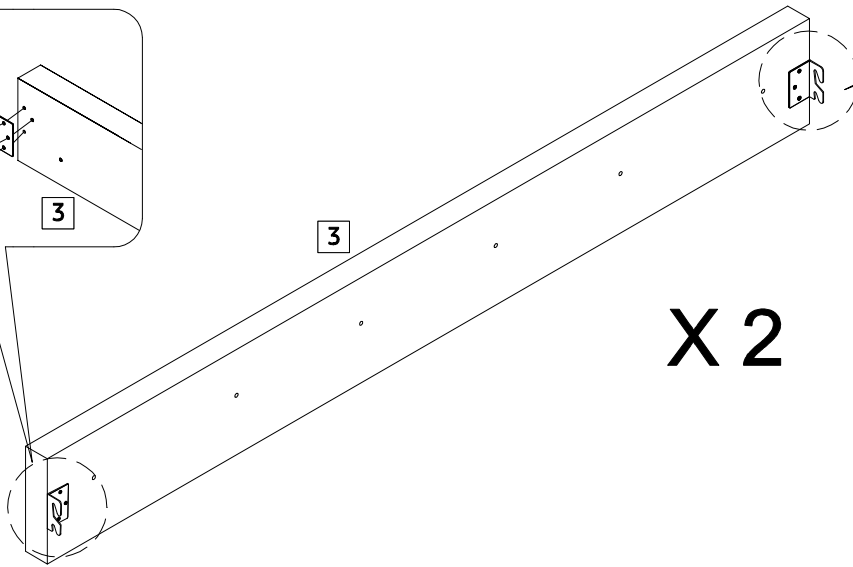
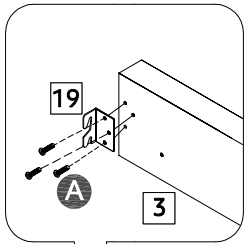
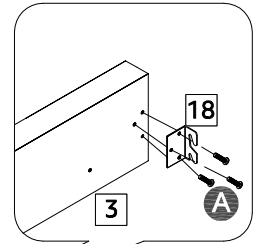
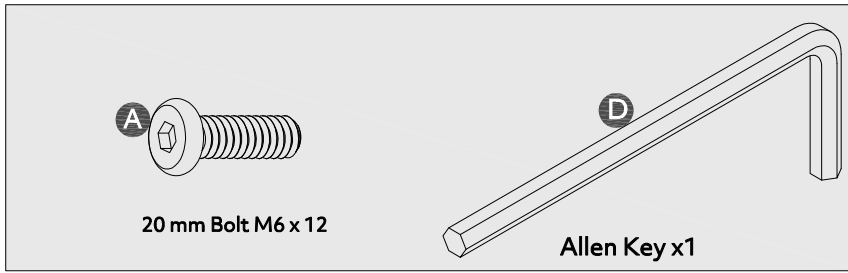
3



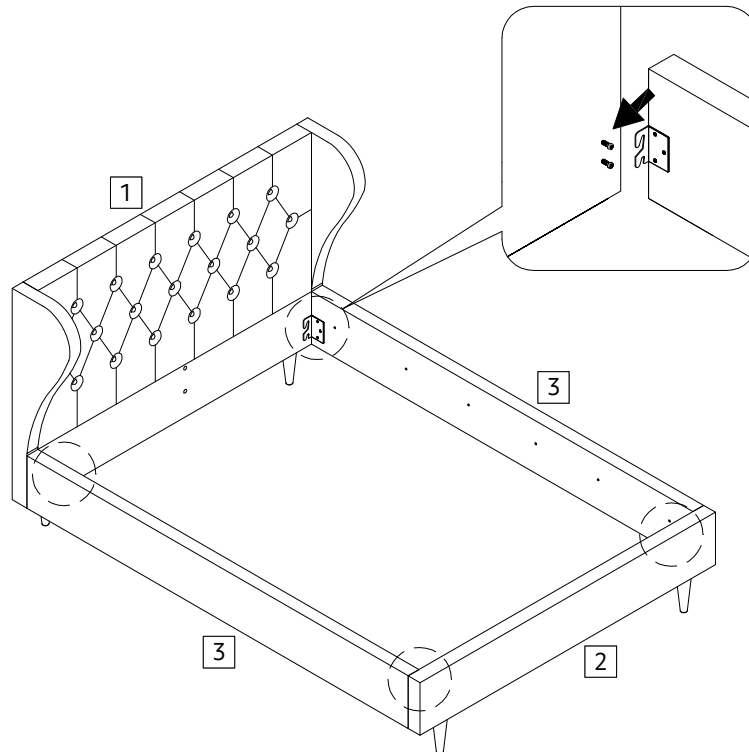
4



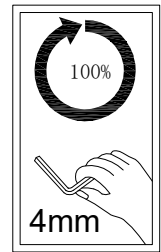
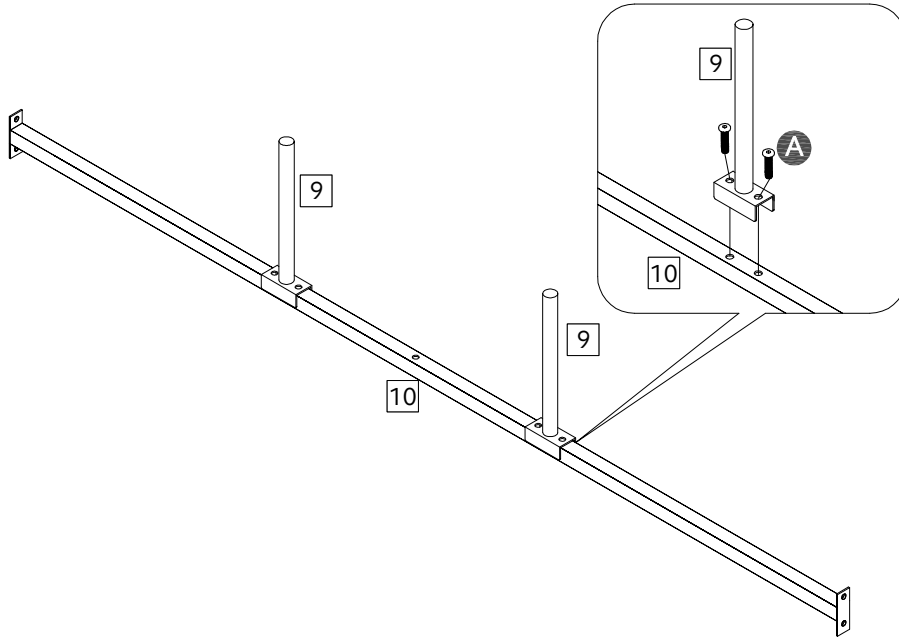
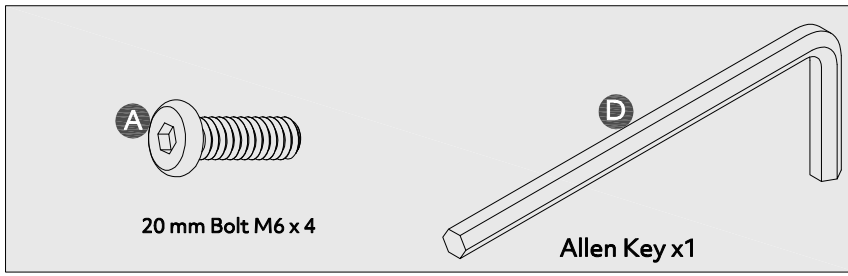
5



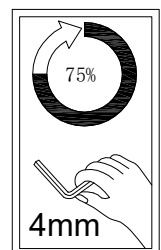
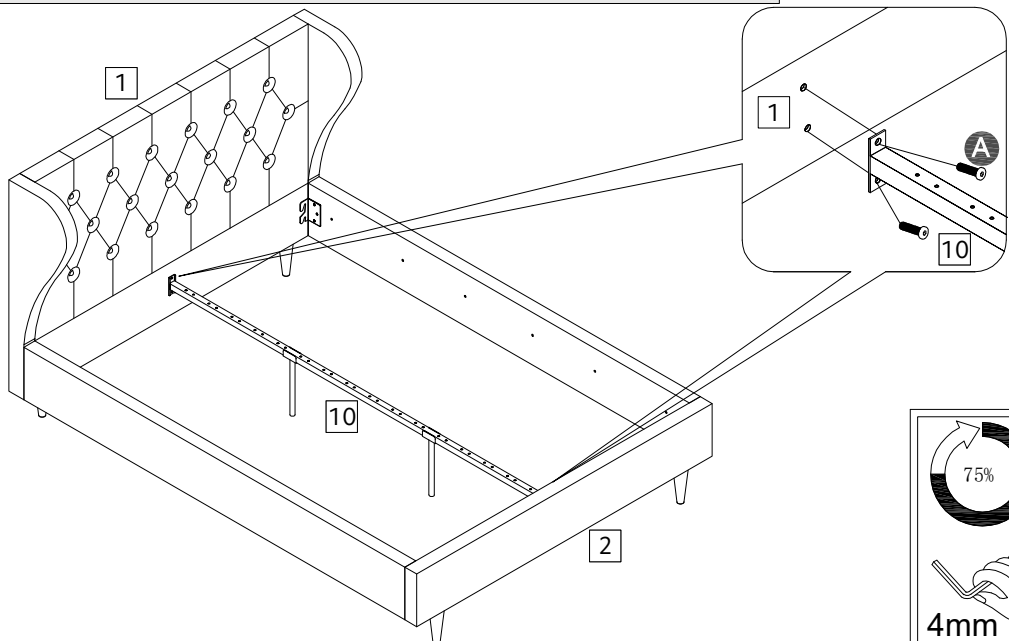
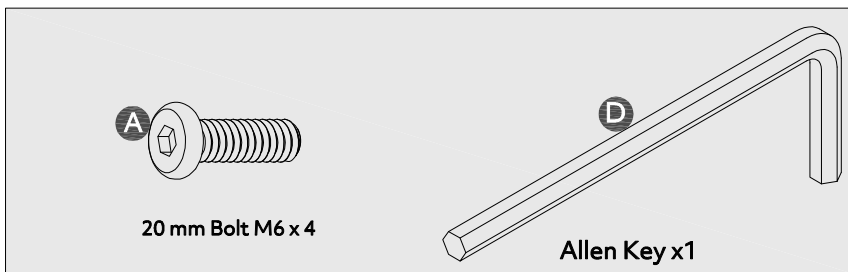
6



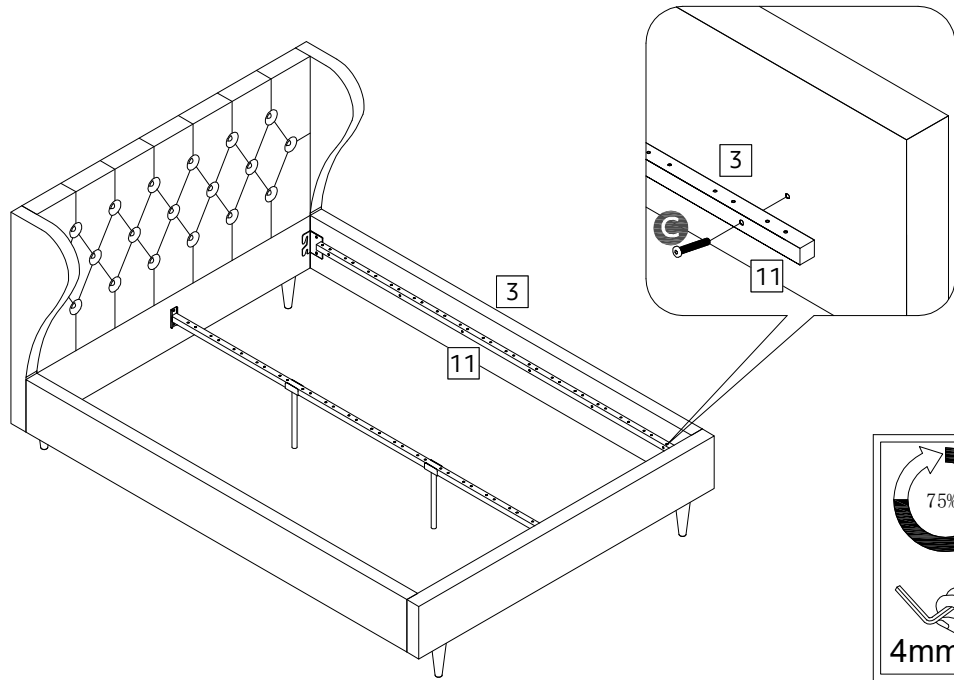
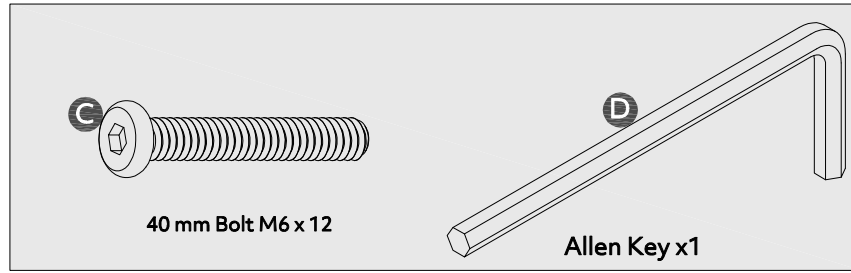
7



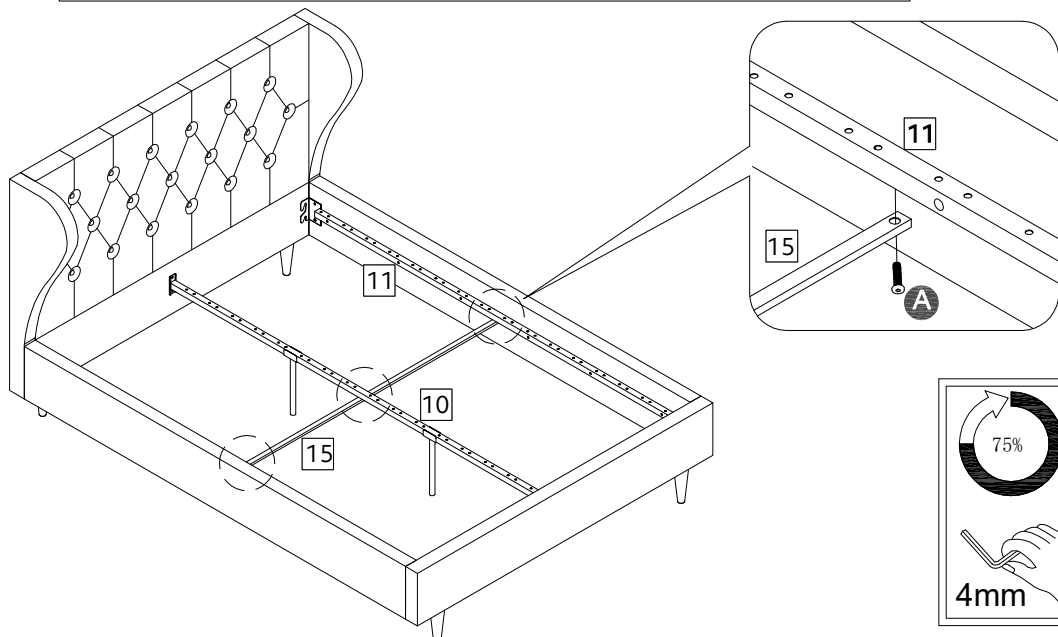
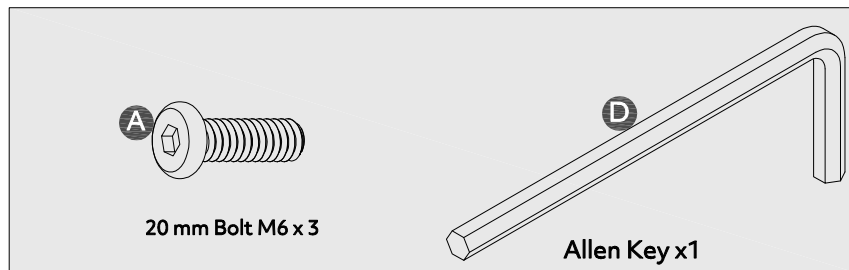
8



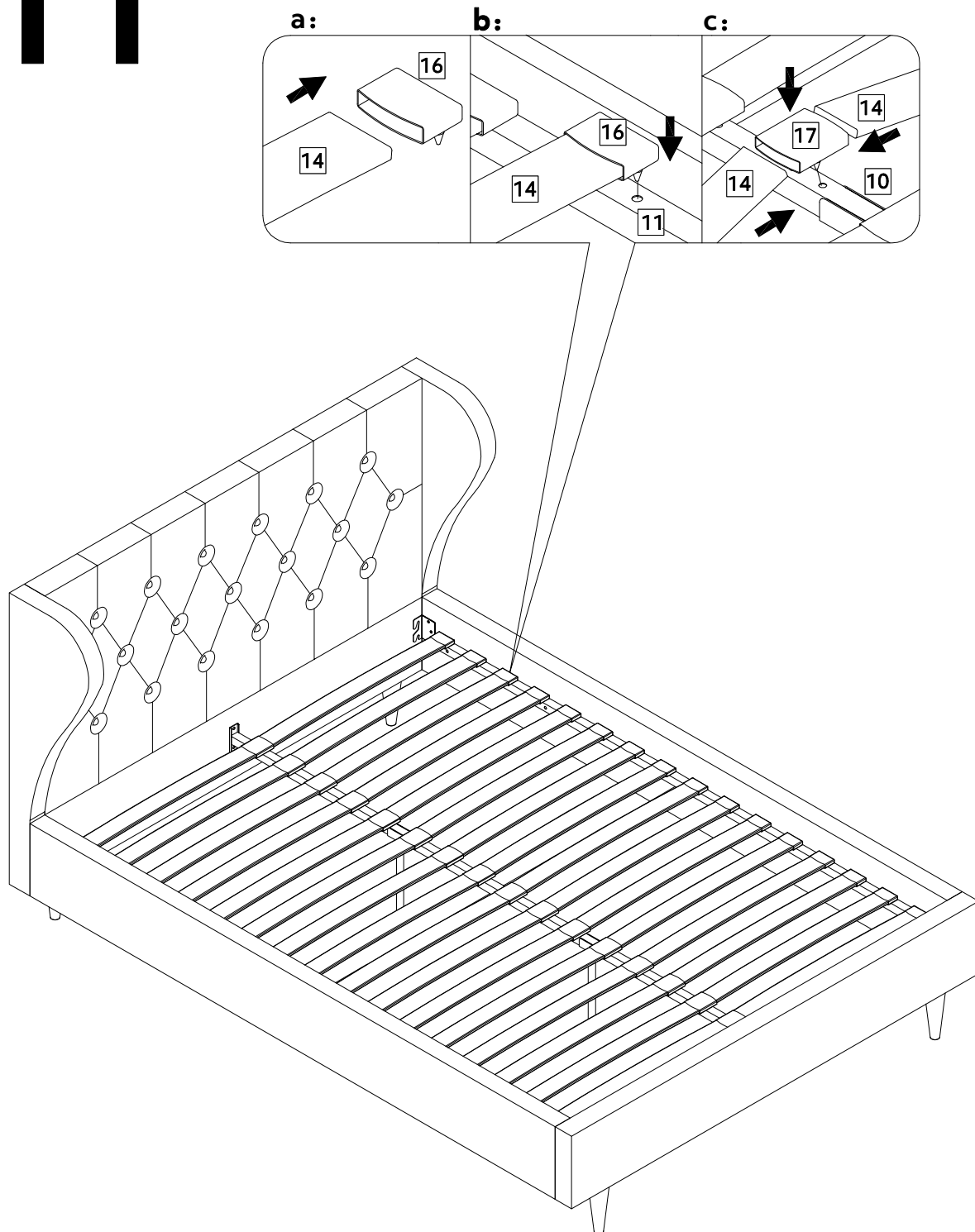
9



10



11



Fully tight all the bolts to complete the assembly!