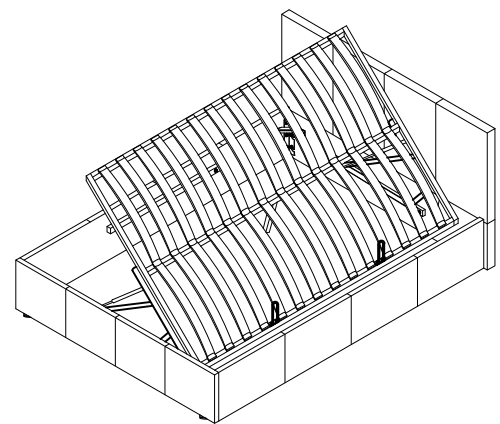
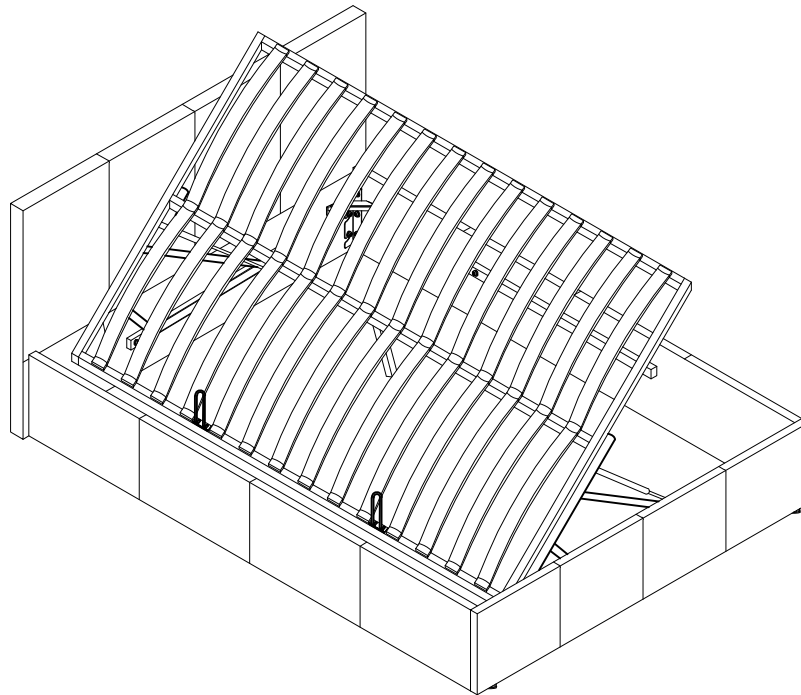


Heathdon/ habitat


Lavendon



Spare Parts

-  www.argos-support.co.uk
-  Help@ClickSpares.co.uk
-  0370 112 1928

Customer Support

-  0345 640 2020



Safety and Care Advice

Product Details

4' Bed Grey Fabric 954/0554 4'6 Bed Black PU 944/8010
4' Bed Grey PU 943/2947 4'6 Bed Grey PU 940/6007
4' Bed Black PU 951/4827

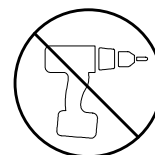
IMPORTANT, RETAIN FOR FUTURE REFERENCE: READ CAREFULLY.

- Keep children and animals away from the work area, small parts could choke if swallowed.
- Make sure you have enough space to layout the parts before starting.
- This product has been constructed to be used in the domestic environment only and not for commercial purposes.

Care and maintenance

- Only clean using a damp cloth and mild detergent. Do not use abrasive cleaners.
- Use a dry cloth to clean the product, furniture polish is not recommended.

- Assemble the item as close to its final position (in the same room) as possible.
- Assemble on a soft level surface to avoid damaging the unit or your floor.



• We do not recommend the use of power drill/drivers for inserting screws as this could damage the unit. Only use hand screwdrivers.

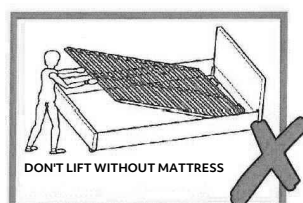
- Parts of the assembly will be easier with 2 people.
- Dispose of all packaging carefully and responsibly.

- From time to time check that there are no loose screws, nuts or bolts. If there are please re-tighten.

- This product should not be discarded with household waste. Take to your local authority waste disposal centre.

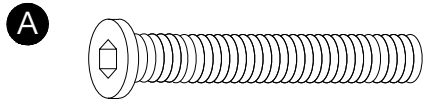
Important Ottoman Safety Warnings

- Caution. This bed uses a pressurised mechanism.
- Use caution when operating - Always use two hands at arm's length, and only where illustrated on the product.
- You must ensure the mattress is on the bed frame before lifting the mechanism - Failure to do so may result in injury.
- Please ensure Children and pets are kept away from the bed when operating the bed mechanism.
- If removing the mattress, make sure that the frame is secured as it could flip open.
- Only use the storage compartment when the frame is fully raised in the 'up' position.
- No children or animals are left unattended when the frame is in the 'up' position.
- Do not remain on the bed whilst the lifting mechanism is in use.
- Beware of Entrapment - Keep both hands clear of mechanism when operating the mechanism.
- When lifting the bed remove all bedding - Except the fitted sheet.

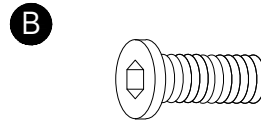


Sainsbury's Argos is a trading name of both: Argos Limited, Registered office: 489-499 Avebury Boulevard, Milton Keynes, United Kingdom, MK9 2NW, registered number: 01081551 (England and Wales); and Sainsbury's Supermarkets Limited, Registered office: 33 Holborn, London, EC1N 2HT, registered number: 03261722 (England and Wales). Both companies are subsidiaries of J Sainsbury's plc. Argos (N.I.) Ltd, Forestside Shopping Centre, Upper Galwally, Belfast, United Kingdom, BT8 6FX. Argos Distributors (Ireland) Limited, Unit7, Ashbourne Retail Park, Ballybin Road, Ashbourne, County Meath, Ireland.

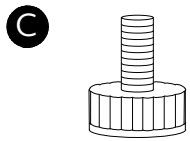
Fittings (Shown to scale)



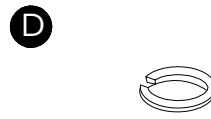
A
8x45mm Bolt x 10



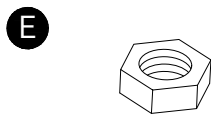
B
8x25mm Bolt x 48



C
8mm Bolt x 4



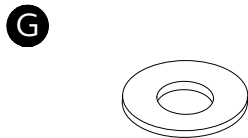
D
12mm Spring washer x 32



E
Nut x 6



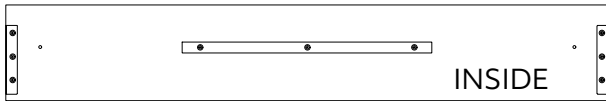
F
17mm Flat washer x 54



G
22mm Flat washer x 4

Note: All fittings packed inside the back of the headboard

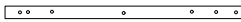
Parts



- 1 Side rail x 2
(4'/4'6-1930 x 305mm)



- 2 Footboard x1 (4'-1300 x 305mm)
(4'6-1450 x 305mm)
Note: Packed inside the back of the headboard



- 4 Wooden rail x2 (4'/4'6-760 x 40mm)



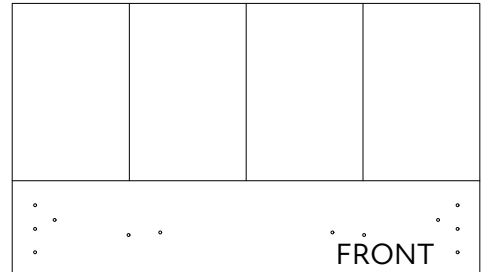
- 6 Bentwood slats x 28 (4'-598 x 9 x 53mm)
Bentwood slats x 28 (4'6-675 x 9 x 53mm)
Note: Packed inside the back of the headboard



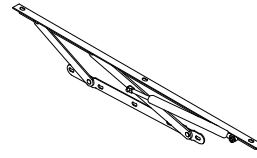
- 8 Mattress support bracket x 2
Note: Packed inside the back of the headboard



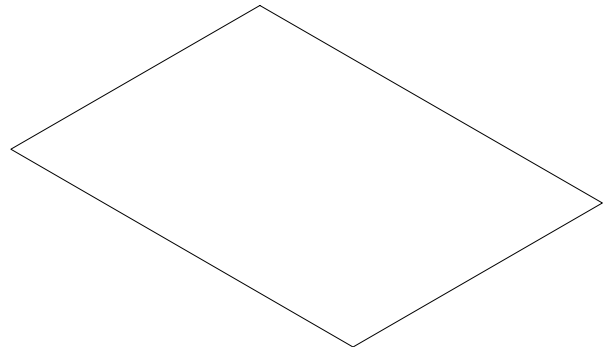
- 10 Ottoman end frame (Footboard) x 1
(4'-1213 x 85mm)(4'6-1363 x 85mm)
Note: Packed inside the back of the headboard



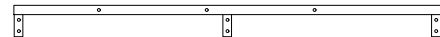
- 3 Headboard x1 (4'-1350 x 860mm)
(4'6-1500 x 860mm)



- 5 Hinge Mechanism (x 1 pair)
NOTE: PISTON ATTACHED



- 7 Fabric base x 1 (4'-1965 x 1280mm)
(4'6-1965 x 1430mm)
Note: Packed inside the back of the headboard



- 9 Ottoman end frame (Headboard) x 1
(4'-1213 x 85mm)(4'6-1363 x 85mm)
Note: Packed inside the back of the headboard

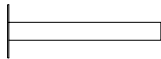


- 11 Ottoman frame (Sides) x 2
(4'/4'6-1822 x 30mm)

Parts



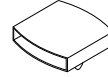
- 12 Ottoman frame centre support x 1
(4'4'6-1822 x 30mm)
Note: Extra holes



- 14 Support Leg x 1 (25 x 205mm)
Note: Packed inside the back
of the headboard



- 16 Metal corner plate x 4 (169 x 35mm)
Note: Packed inside the back
of the headboard

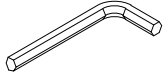


- 13 Double slat caps x 14 (4'-55mm)
Double slat caps x 14 (4'6-55mm)
Note: Packed inside the back
of the headboard

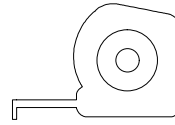


- 15 Single slat caps x 28 (4'-55mm)
Single slat caps x 28 (4'6-55mm)
Note: Packed inside the back
of the headboard

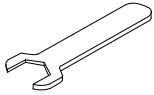
Tools required



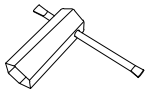
Allen key (Supplied)



Ruler/tape
measure



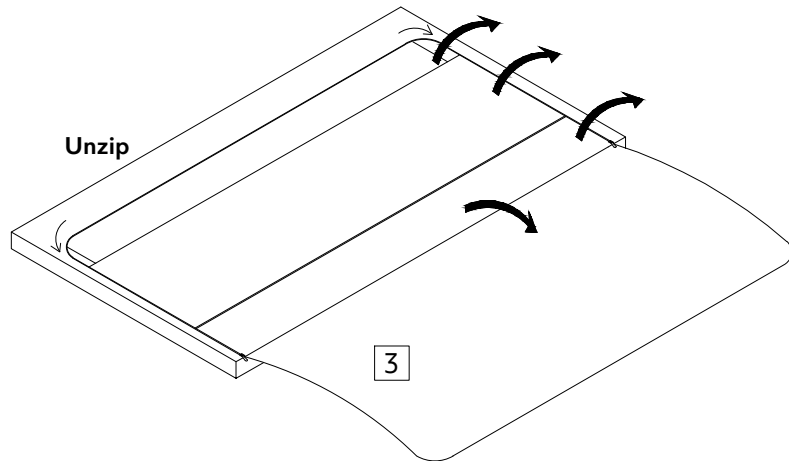
Spanner (Supplied)



Box spanner (Supplied)

1

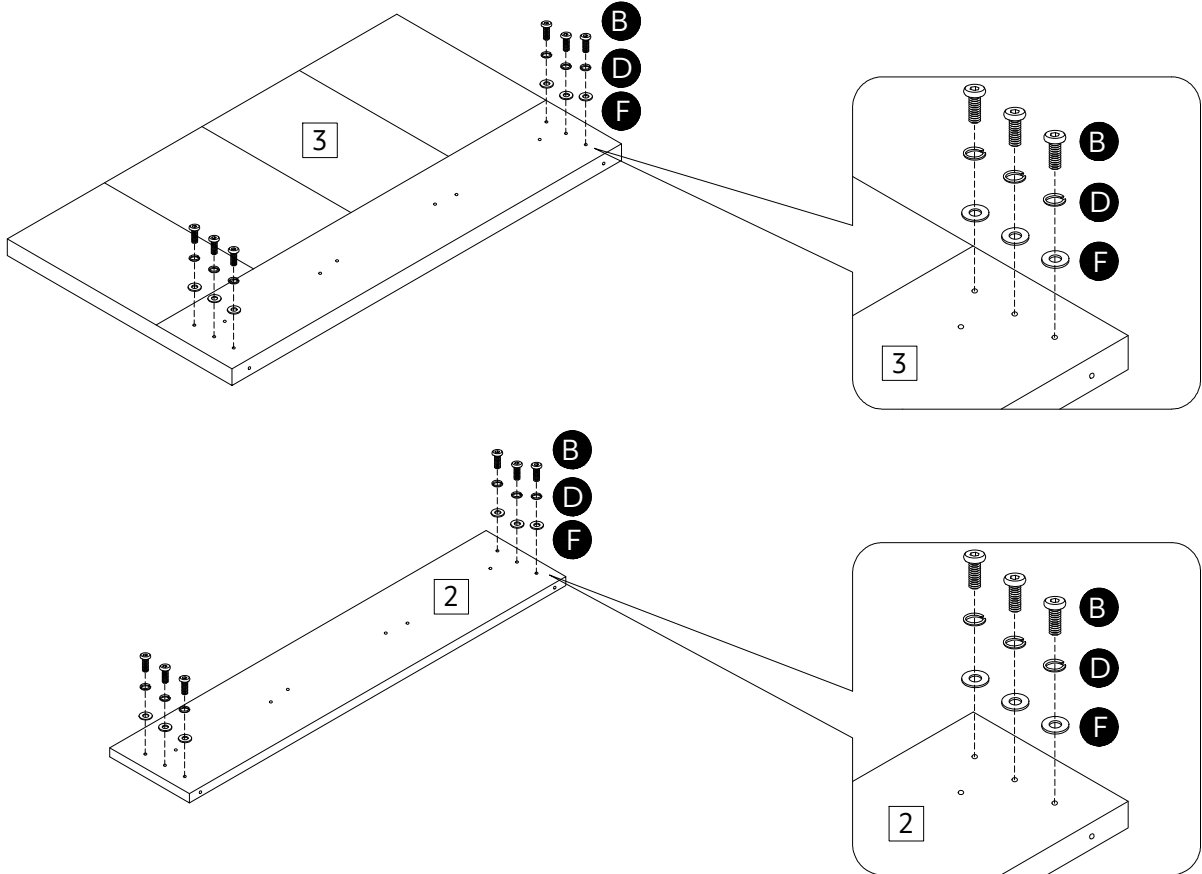
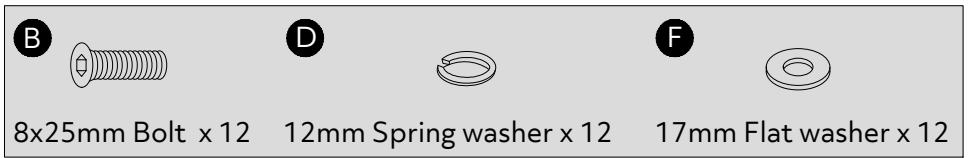
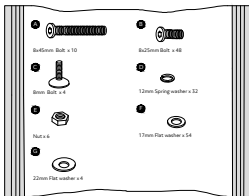
Components packed inside back of headboard



WARNING!
The headboard is heavy.
Lift with care.

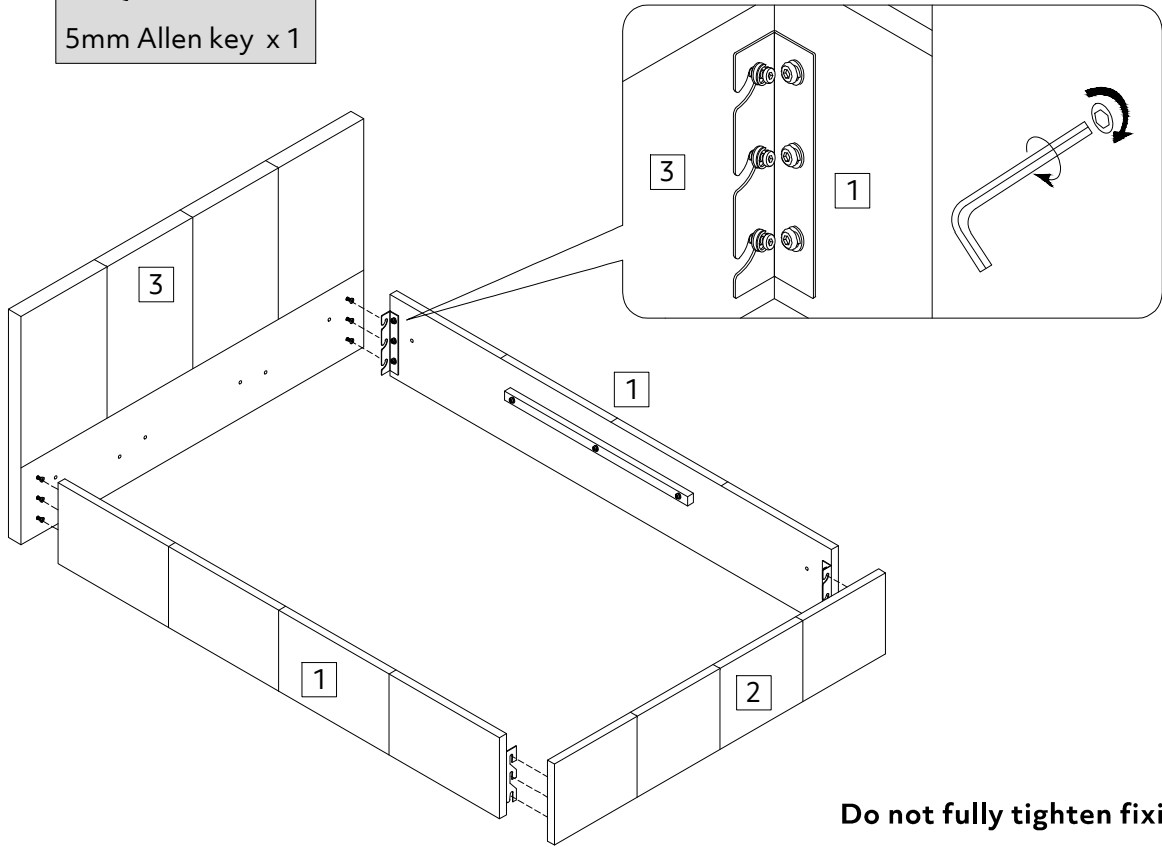
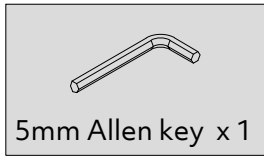
Shown upside down

2



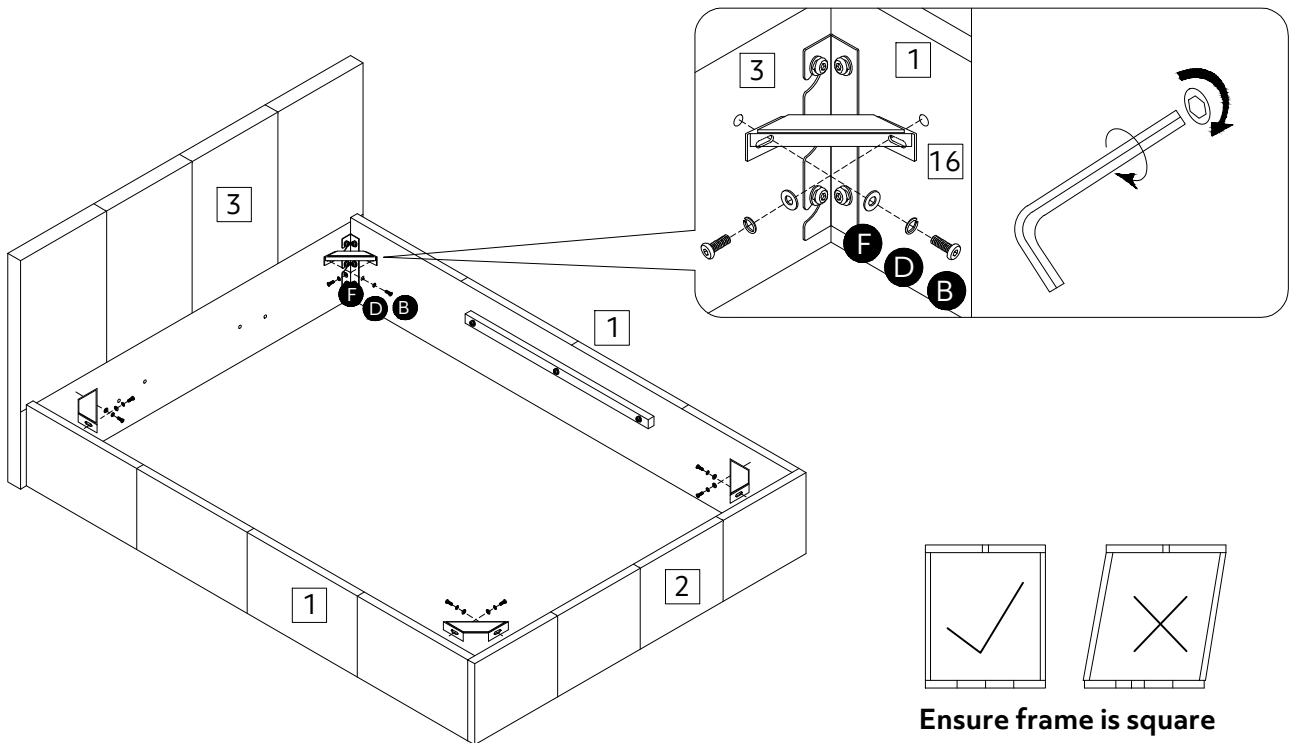
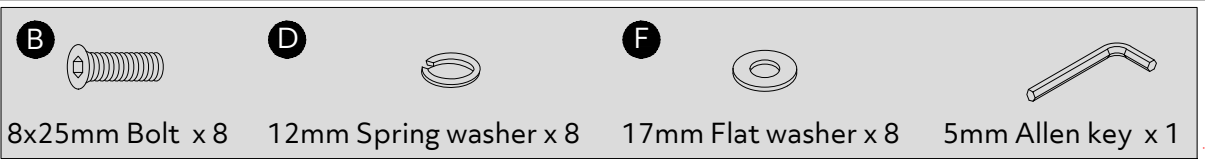
Leave screws loose

3






Do not fully tighten fixings!

4

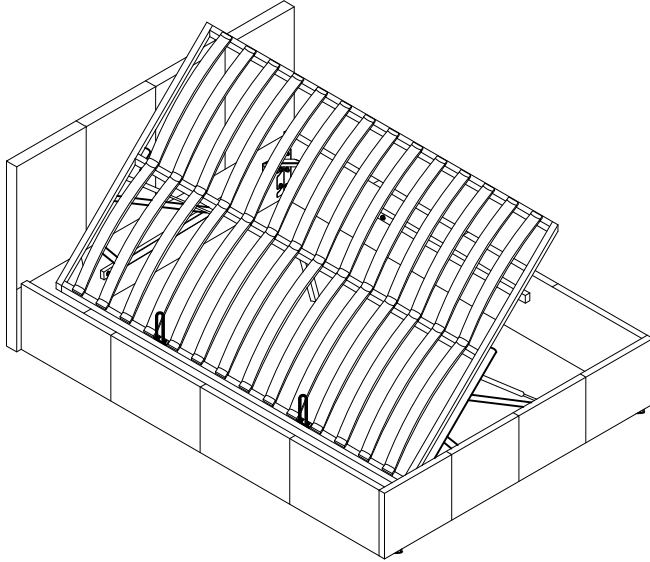
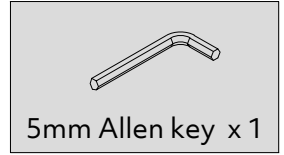


Ensure frame is square

5

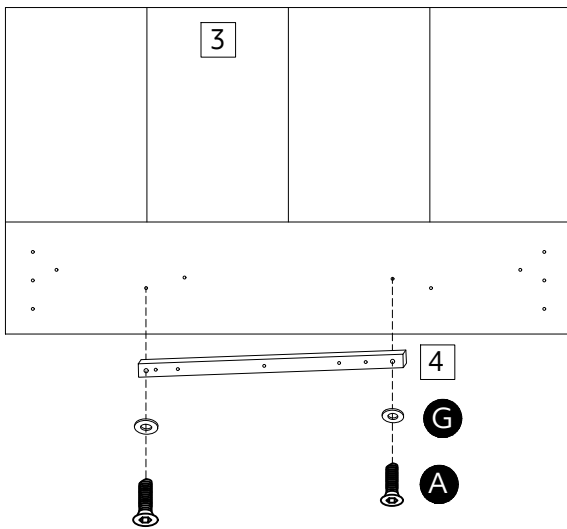
A		B		F		G	
8x45mm Bolt x 4		8x25mm Bolt x 10		17mm Flat washer x 10		22mm Flat washer x 4	

Opening from right side

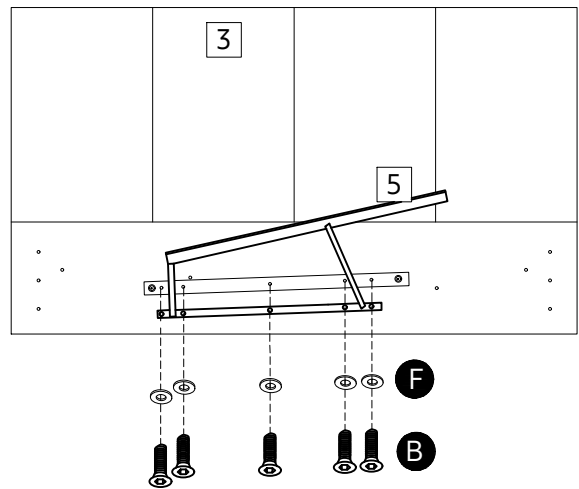


Beware of risk of entrapment from folding hinges!

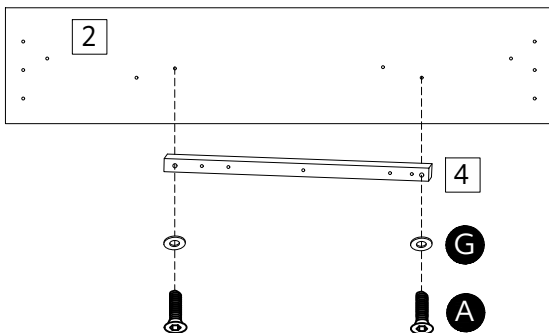
Headboard fixing holes position



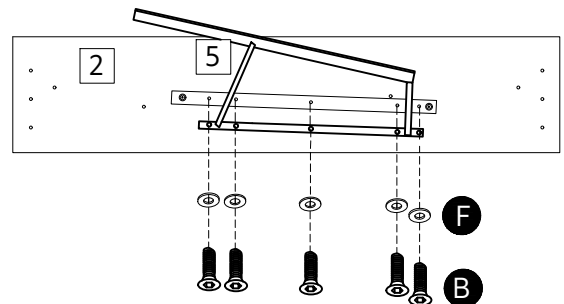
Headboard fixing holes position







Footboard fixing holes position



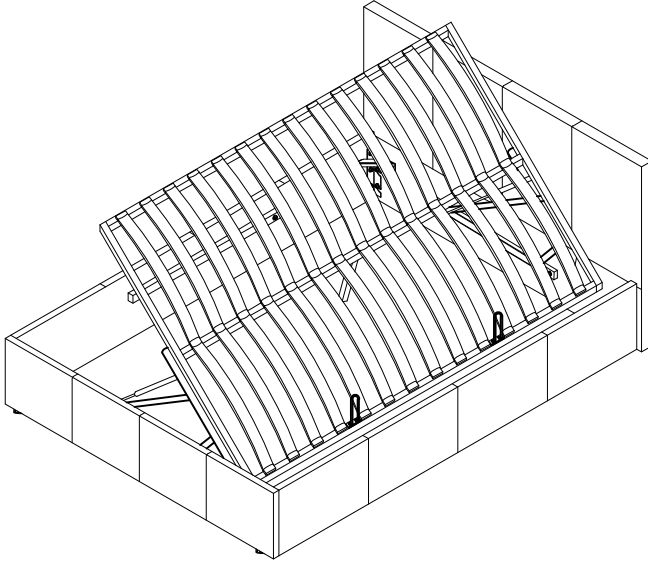
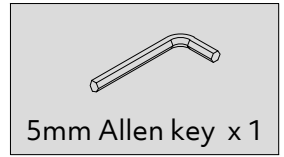
Footboard fixing holes position



6

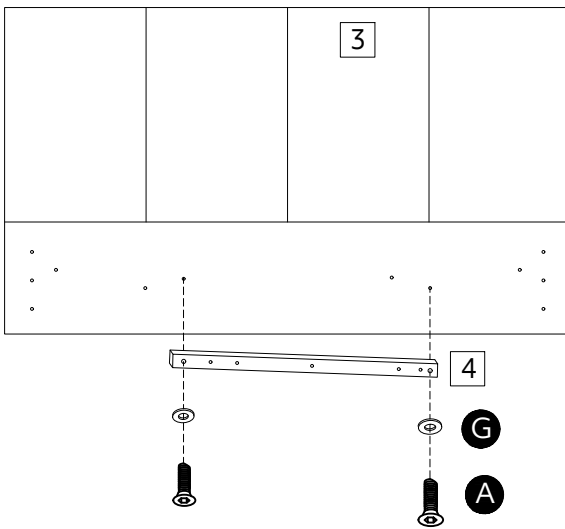
A		B		F		G	
8x45mm Bolt x 4		8x25mm Bolt x 10		17mm Flat washer x 10		22mm Flat washer x 4	

Opening from left side

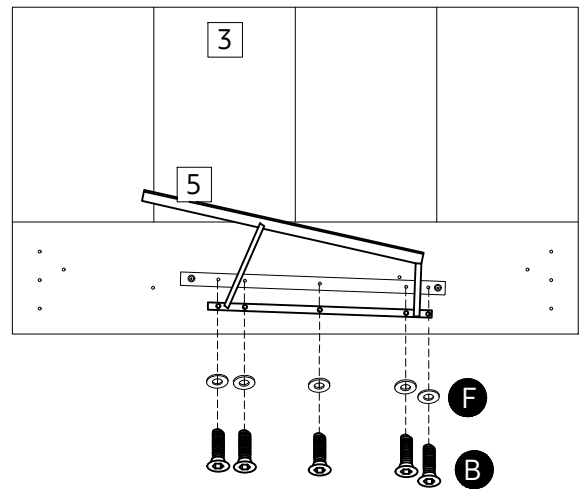


Beware of risk of entrapment from folding hinges!

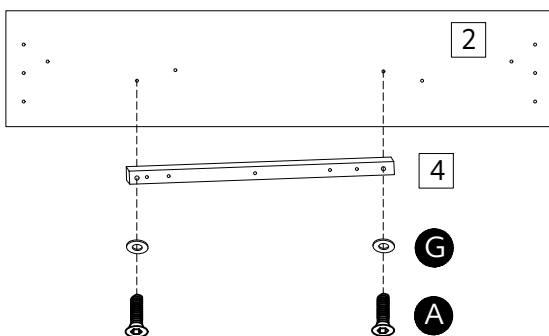
Headboard fixing holes position



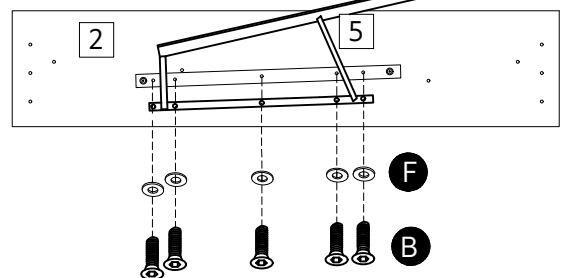
Headboard fixing holes position



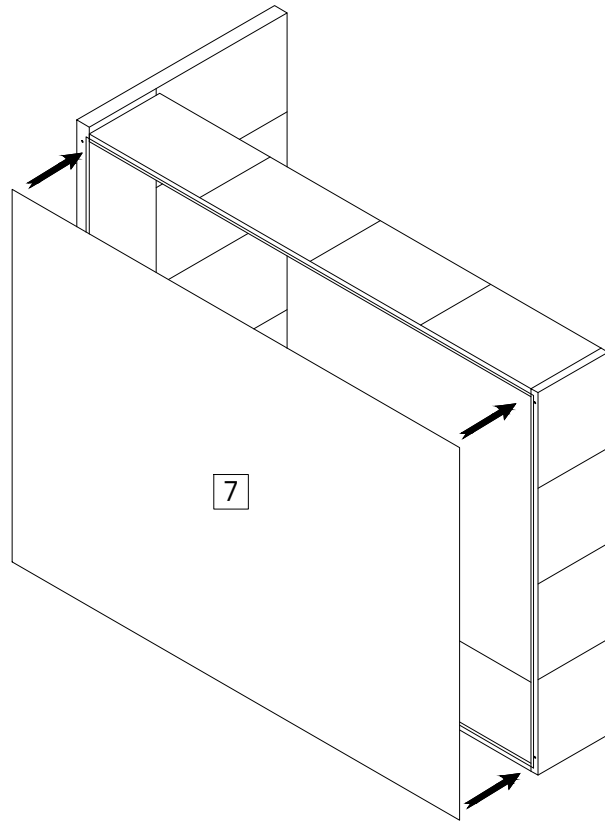
Footboard fixing holes position



Footboard fixing holes position

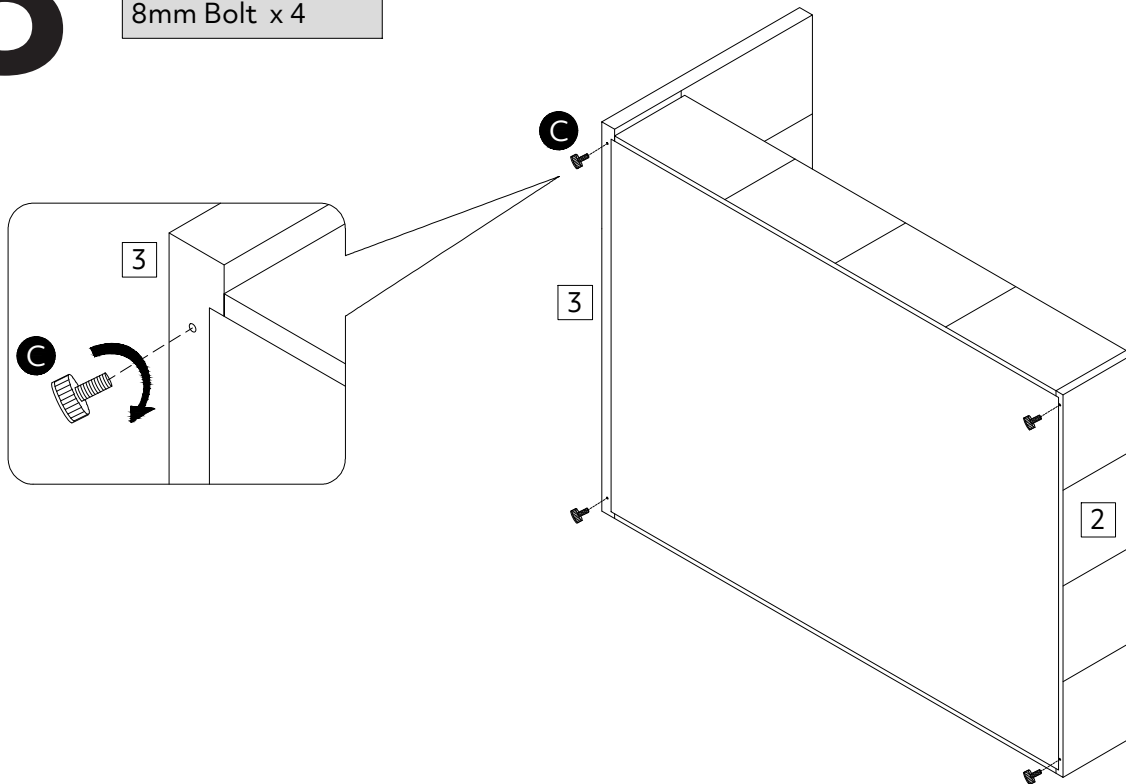
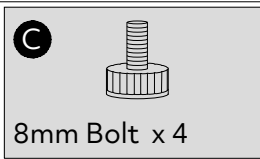


7







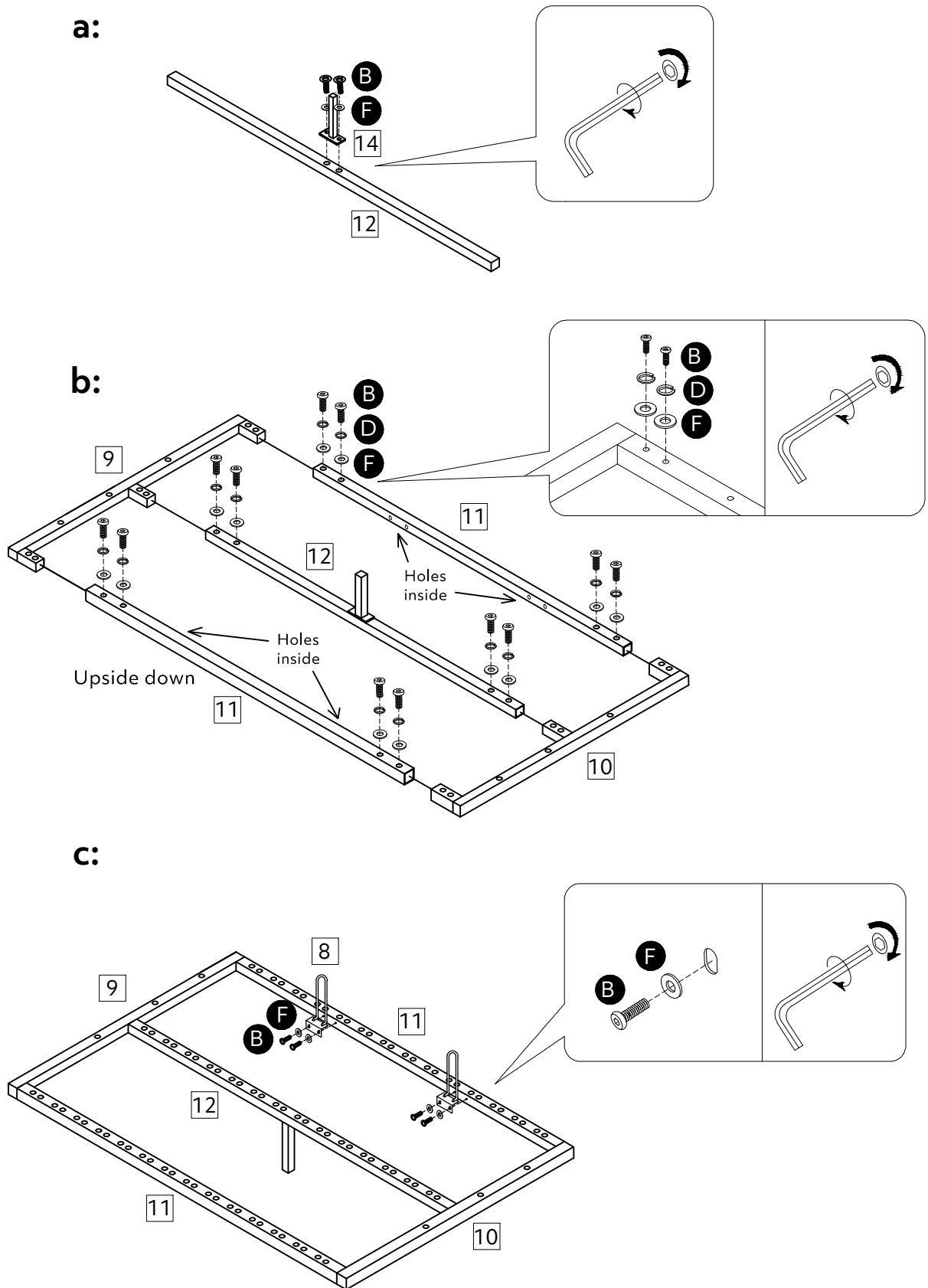
Velcro fastening

8

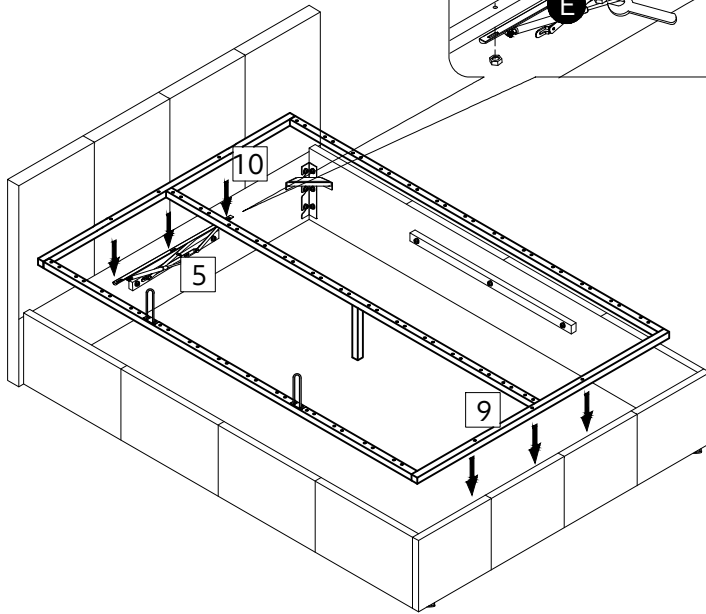
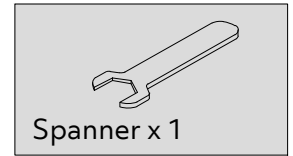
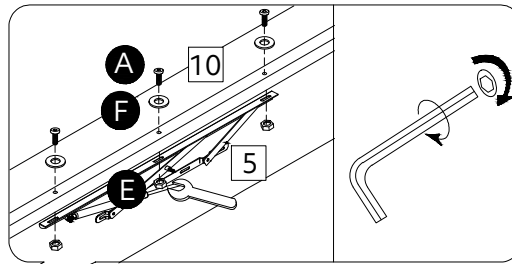
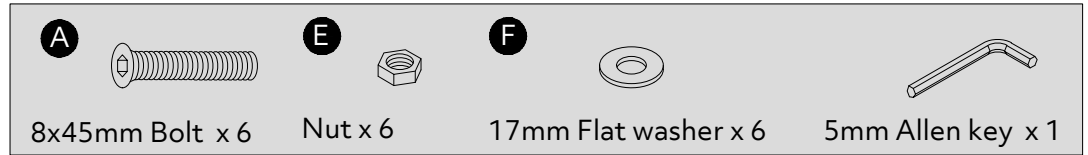


9

- B**  **D**  **F**  
8x25mm Bolt x 18 12mm Spring washer x 12 17mm Flat washer x 18 5mm Allen key x 1

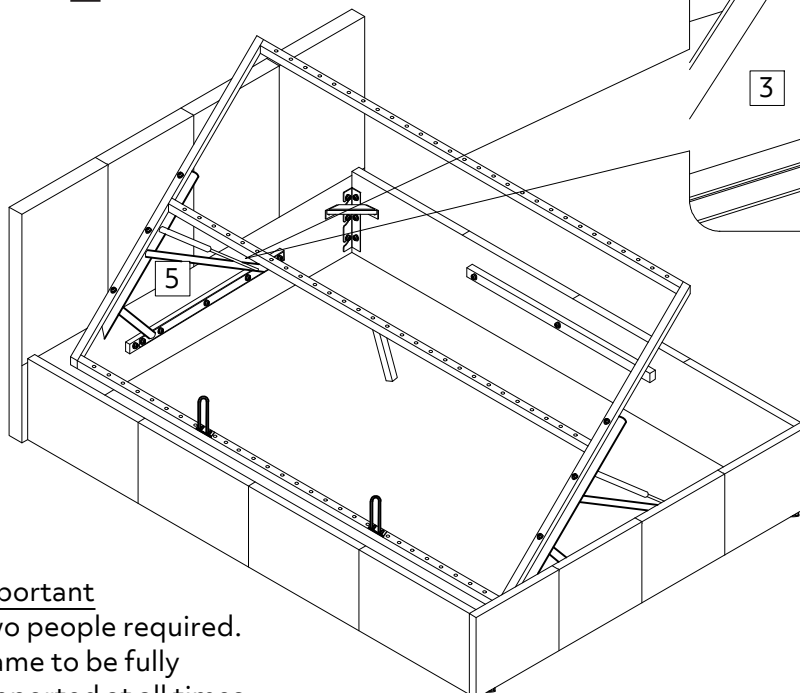
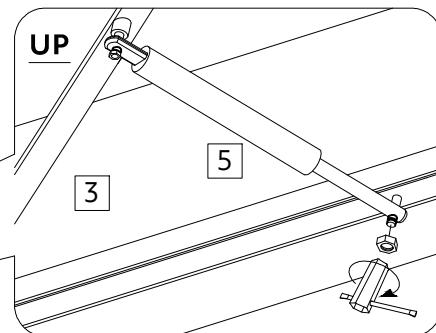
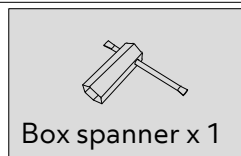


10



Beware of risk of entrapment from folding hinges!

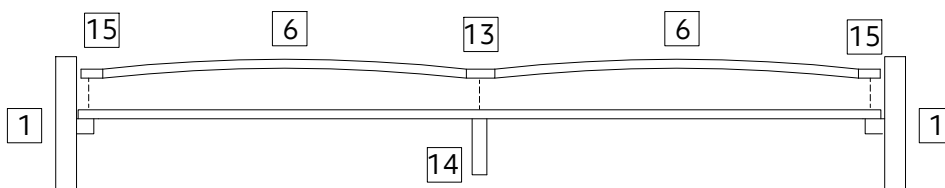
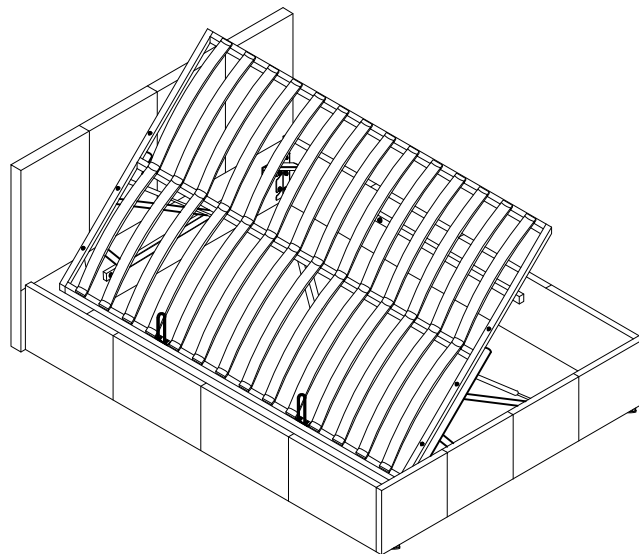
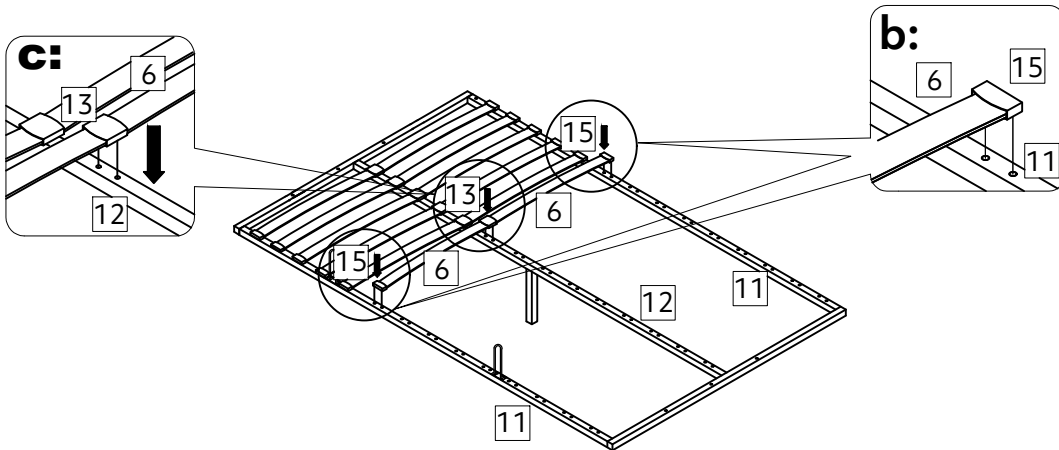
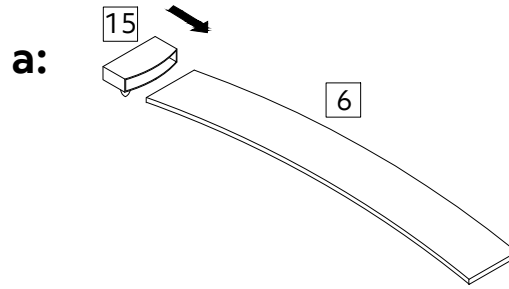
11



Important
Two people required.
Frame to be fully supported at all times.

12

 Repeat
x14
4'/4'6



Slats to arch upwards