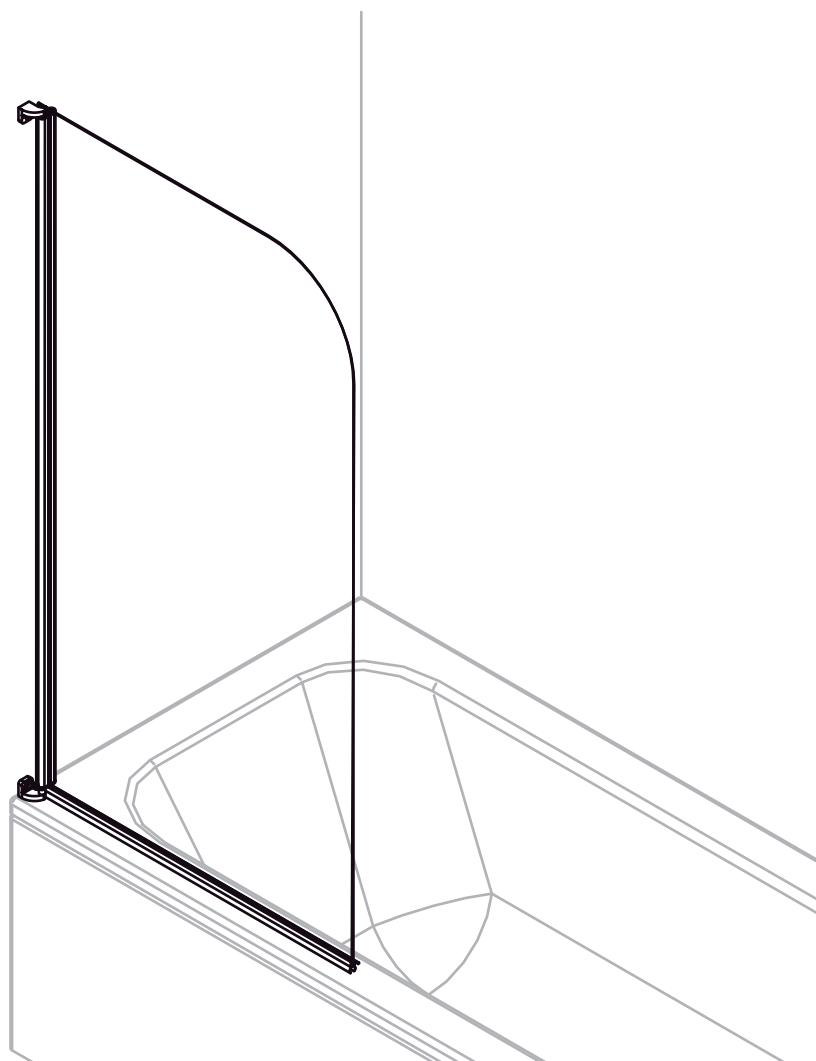



Half Frame Radius Bathscreen

HOME




Spare Parts

 www.argos-support.co.uk

 Help@ClickSpares.co.uk

 0370 1121928

Customer Support

 0345 6402020



Safety and Care Advices

IMPORTANT, RETAIN FOR FUTURE REFERENCE: READ CAREFULLY.

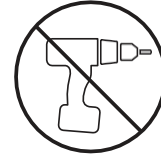
- Keep children and animals away from the work area, small parts could choke if swallowed.

- Make sure you have enough space to layout the parts before starting.

- This product has been constructed to be used in the domestic environment only and not for commercial purposes.

- Assemble the item as close to its final position (in the same room) as possible.

- Assemble on a soft level surface to avoid damaging the unit or your floor.



- We do not recommend the use of power drill/drivers for inserting screws

as this could damage the unit. Only use hand screwdrivers.

- Parts of the assembly will be easier with 2 people.

- Dispose of all packaging carefully and responsibly.

Care and maintenance

- Only clean using a damp cloth and mild detergent. Do not use abrasive cleaners

- Use a dry cloth to clean the product, furniture polish is not recommended.

- From time to time check that there are no loose screws, nuts or bolts. If there are please re-tighten.

- This product should not be discarded with household waste.

Take to your local authority waste disposal center.

Glue safety - Take care when using glue, please follow the advice below

Skin contact: Remove contamination by washing with soap and water. Procedure should also followed prior to eating and drinking.

Eye contact: Rinse immediately with clean water for 15 minutes and seek medical advice.

If swallowed: Seek medical advice immediately.

Additional Guidance

- Check that the bath has been installed correctly and that it is level, tiled down onto and sealed to the manufacturer's guidelines.

- All product supplied without bath.

- Check that there is sufficient space on the bath for the product and that the screen movement does not foul other items such as sinks and taps.

- Ensure the product is fitted to a non-porous surface ie. tiled.

- Check that the wall surface is flat.

- Unpack and check the product is complete and undamaged.

- Fixings are supplied for solid walls only. Ensure that the correct fixings are used for the wall type - if in doubt seek professional advice

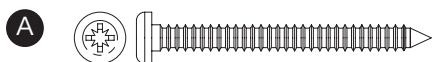
- Ensure the area is clean, dry and dust free.

- Read the instructions in full.

- Have the correct tools available

Fittings (shown to scale)

Bag 1

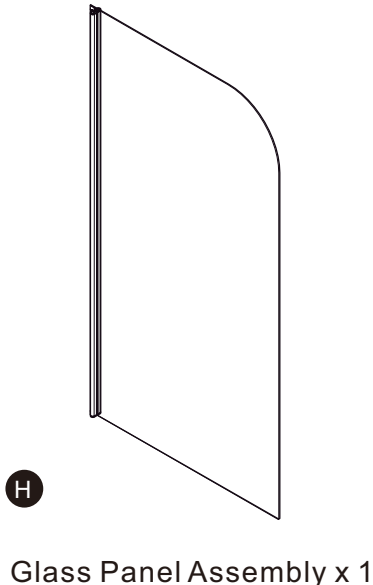
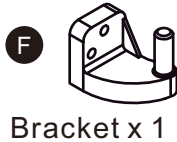
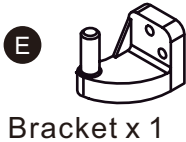


No. 8 x 1 3/4" Pan Head Pozi Screws x 4



Wall Plugs x 4

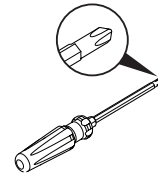
Hardware



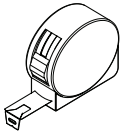
Tools required



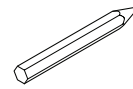
Spirit Level



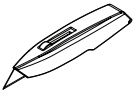
Screw driver



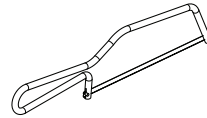
Ruler / Tape Measure



Pencil



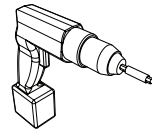
Utility Knife



Junior Hacksaw



Silicone Gun & Sealant

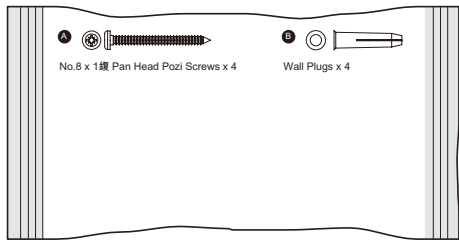


Power Drill



6 mm Ø Drill Head

1



A No.8 x 1 3/4" Pan Head Pozi Screws x 2

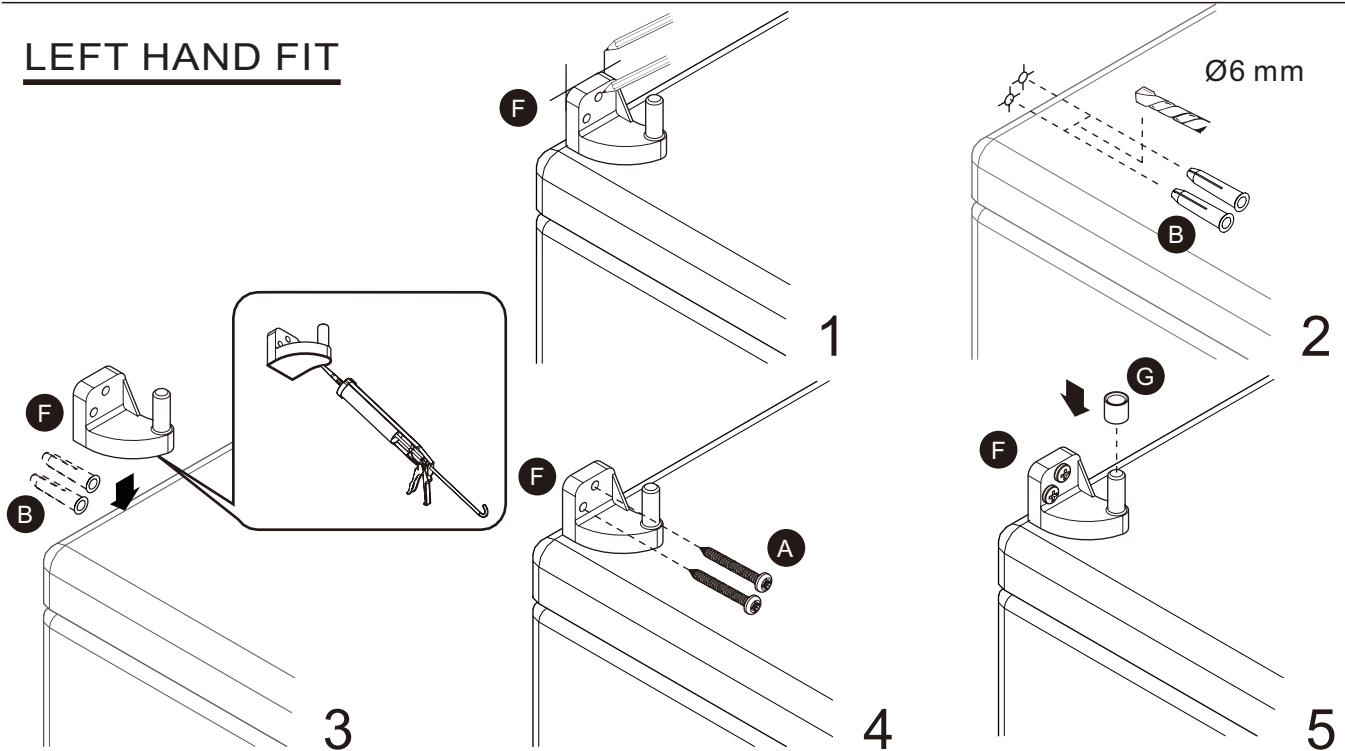
B Wall Plugs x 2

G Collar x 1

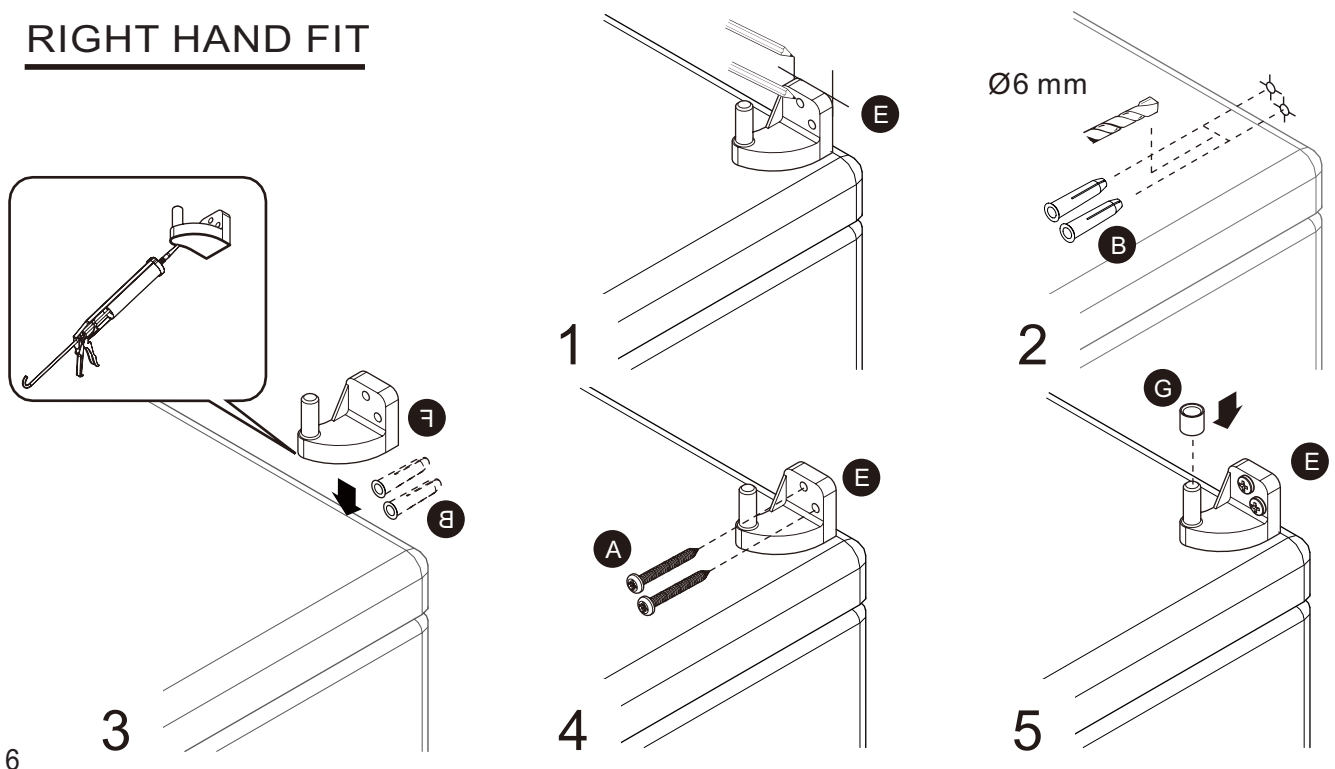
F Bracket x 1
LEFT HAND FIT

E Bracket x 1
RIGHT HAND FIT

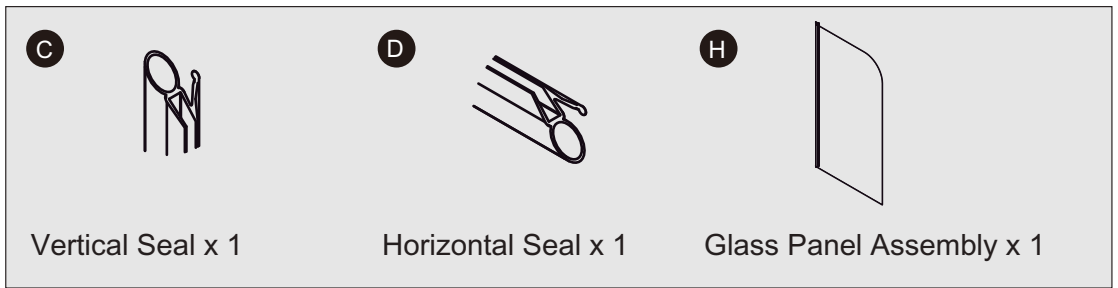
LEFT HAND FIT



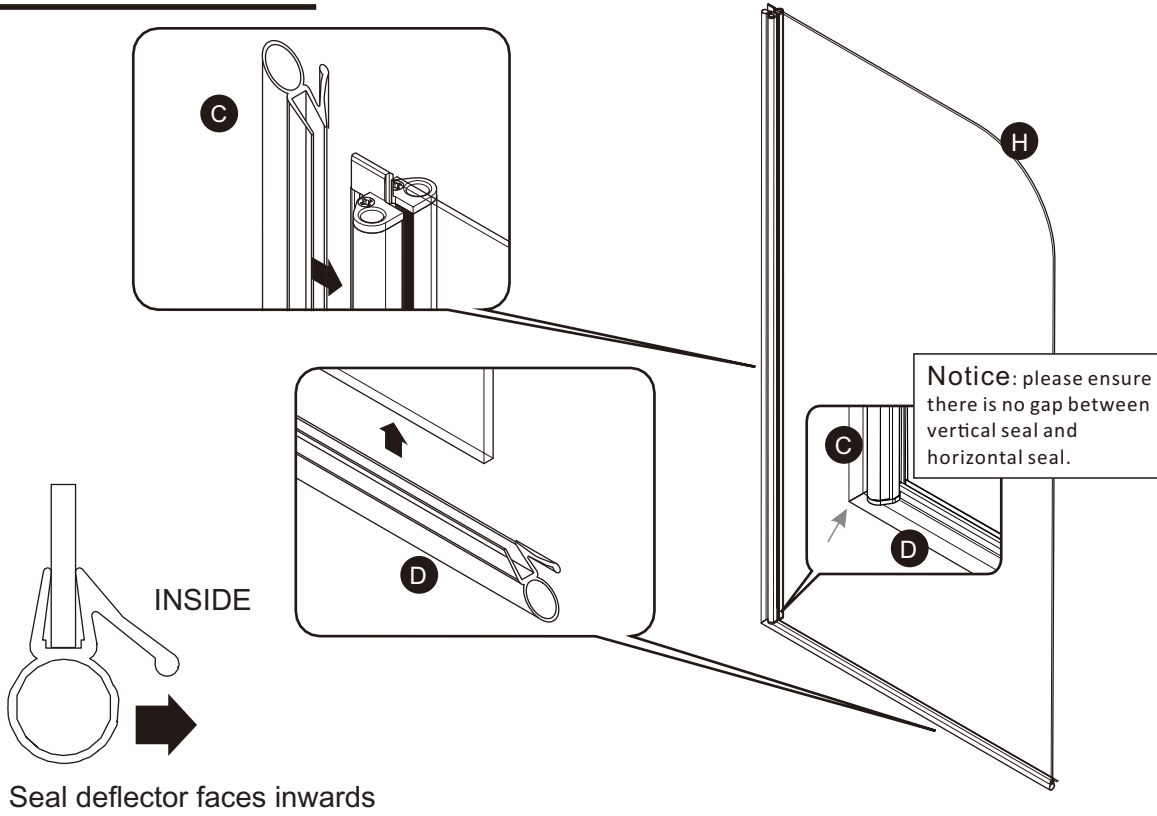
RIGHT HAND FIT



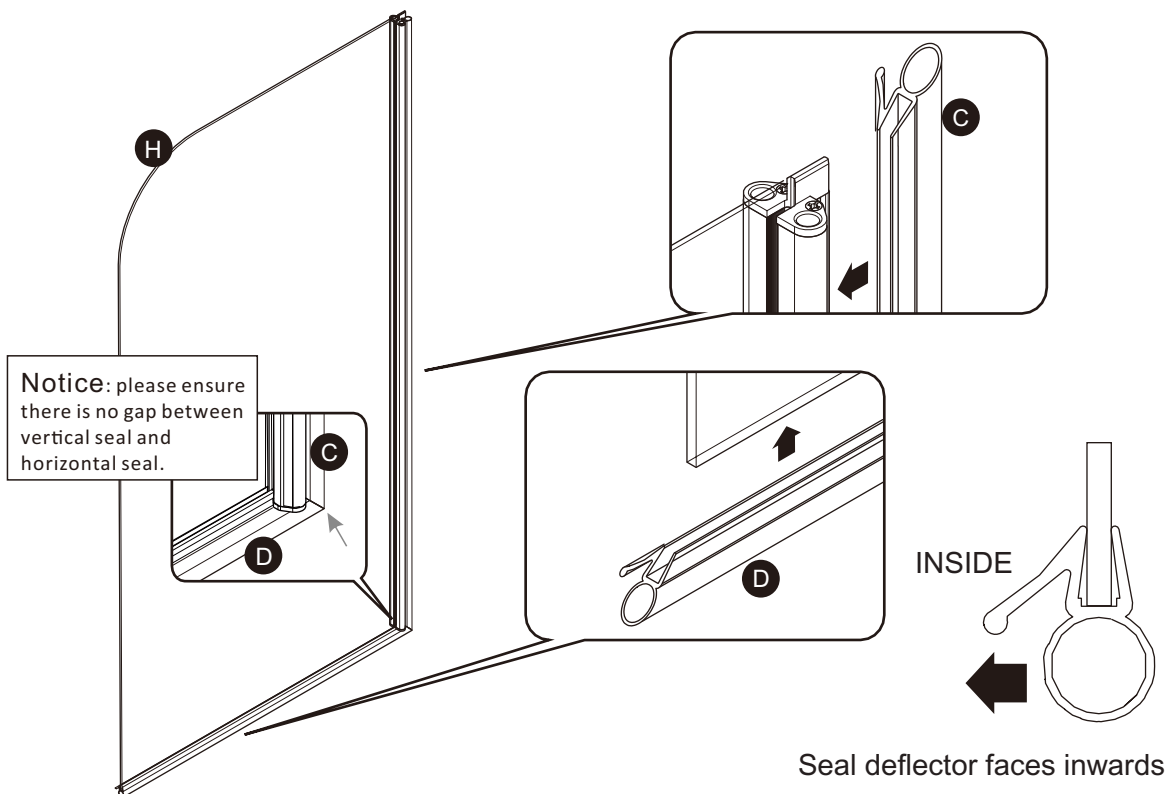
2



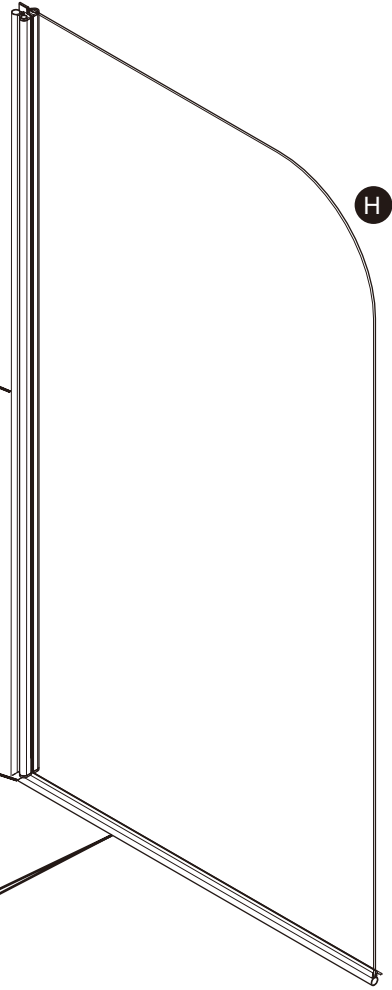
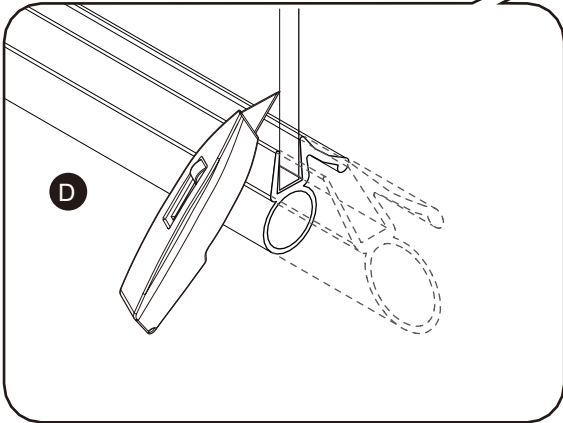
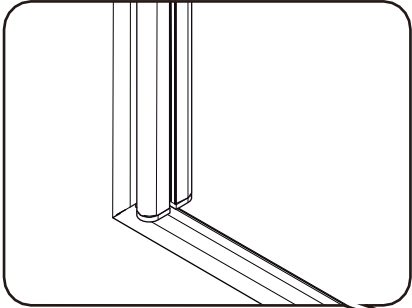
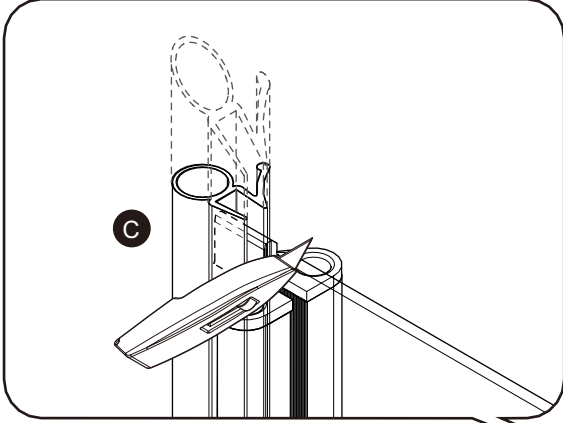
LEFT HAND FIT



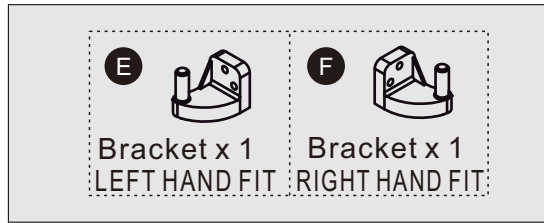
RIGHT HAND FIT



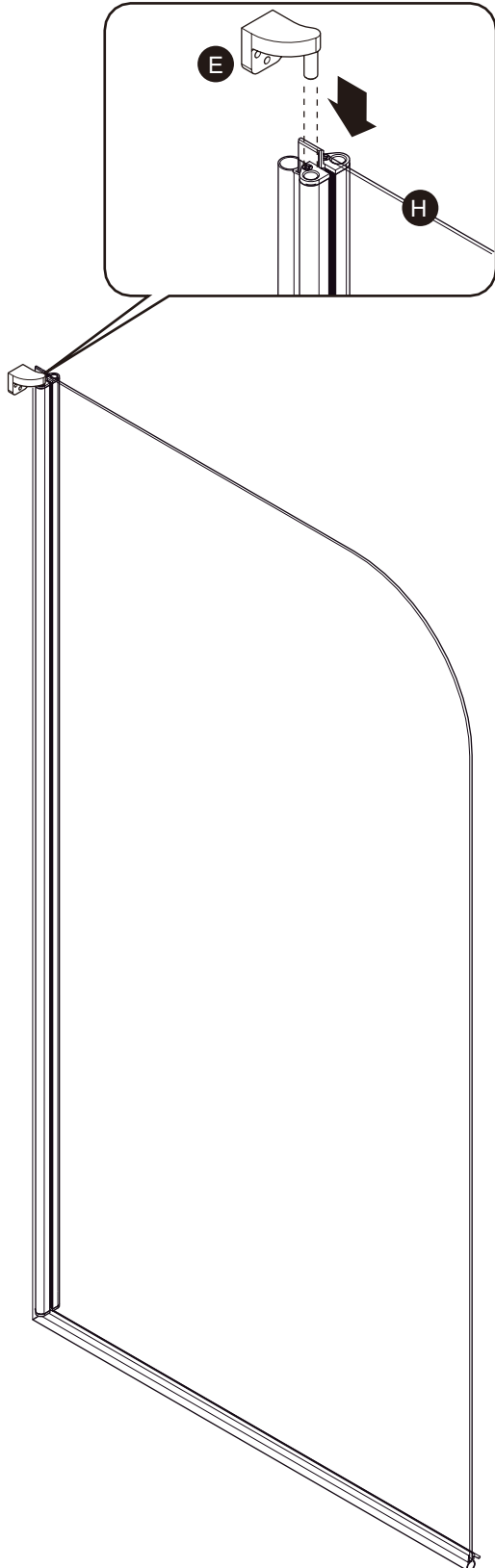
3



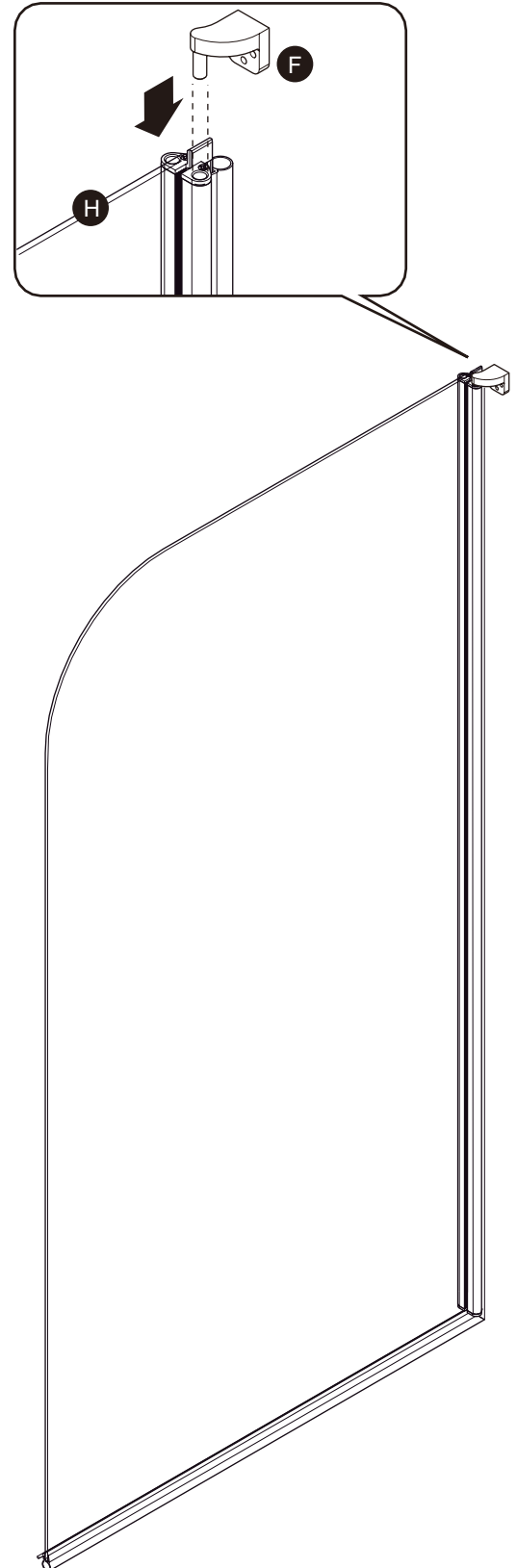
4



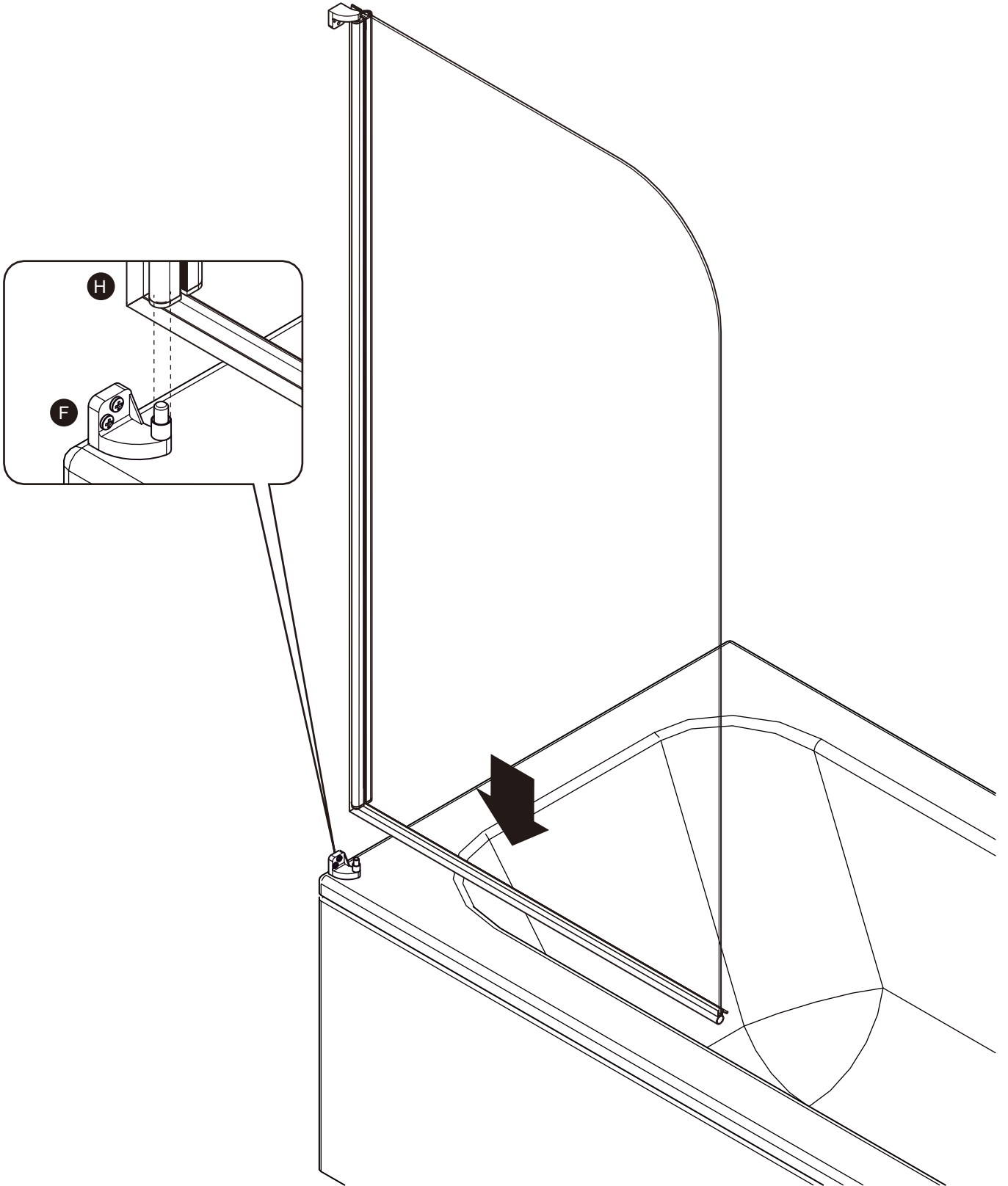
LEFT HAND FIT



RIGHT HAND FIT



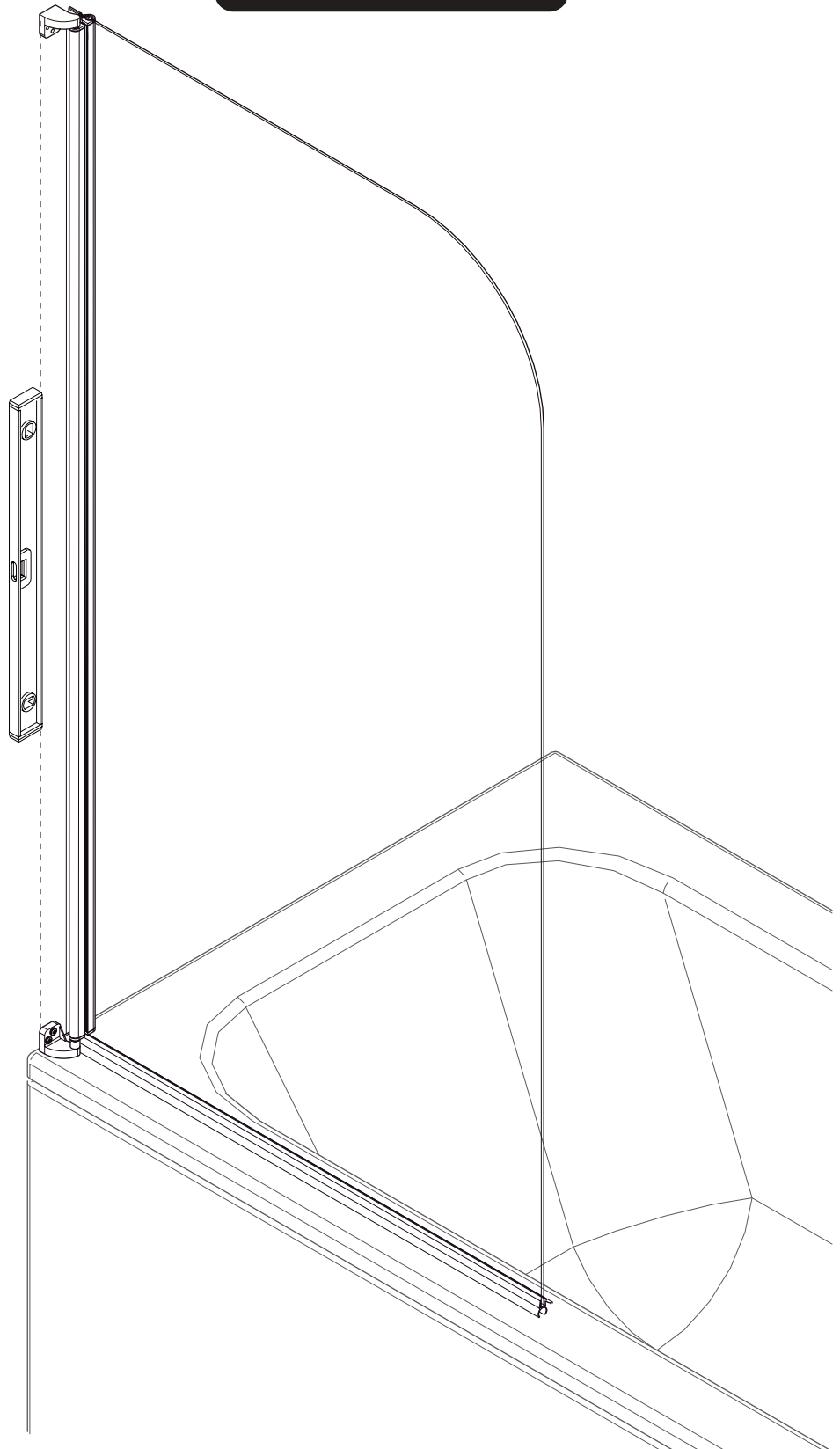
5



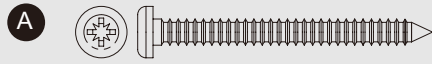
6

WARNING!

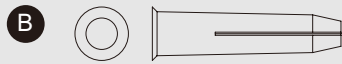
Ensure glass screen is vertical



7



No.8 x 1 3/4" Pan Head Pozi Screws x 2



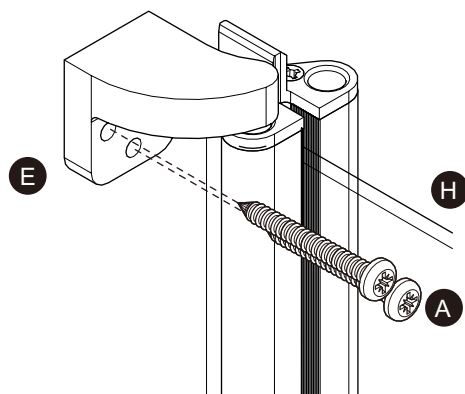
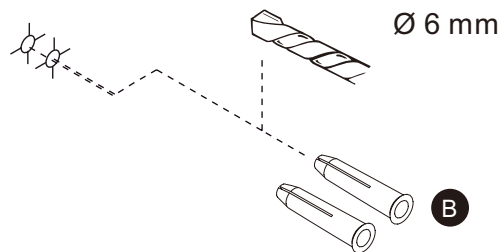
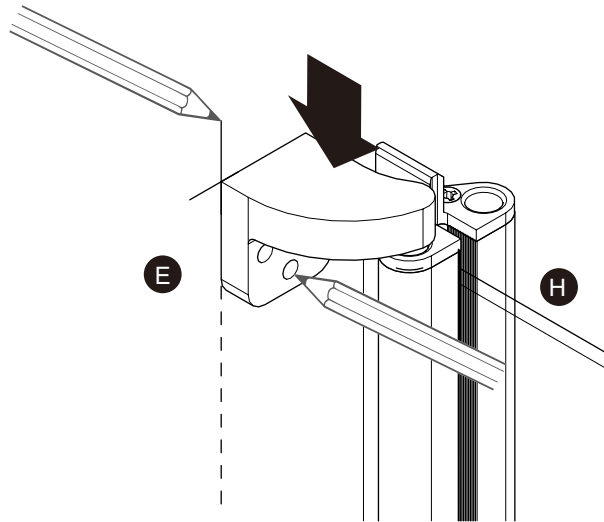
Wall Plugs x 2



Bracket x 1
LEFT HAND FIT



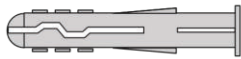
Bracket x 1
RIGHT HAND FIT



A Guide to Wall Mounting & Fixings

Important note:

If plastic wall plugs are supplied with your product:



- these are only suitable for use in masonry walls.

If you are in any doubt about the correct wall plugs for your wall, seek professional advice.


Failure of the product due to using incorrect fixings is the responsibility of the installer.



Important: When drilling into walls always check that there are no hidden wires or pipes etc.

Make sure that the screws and wall plugs being used are suitable for supporting your unit. Consult a qualified tradesperson if you are unsure.

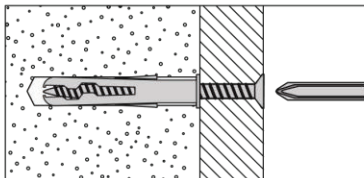
Hints:

- 1: General rule:  Always use a larger screw and wall plug if you are not sure.
- 2: Ensure you use the recommended drill bit to match the wall plug and hole size.
- 3: Ensure you drill the hole horizontally, do not force the drill or enlarge the hole.
- 4: Take extra care when drilling high walls, ceilings and ceramic tiles. Ensure wall plugs are inserted beyond the thickness of the ceramic tiles to avoid the tiles splitting or cracking.
- 5: Ensure wall plugs are well fitted and are a tight fit in the drilled hole.

Types of walls

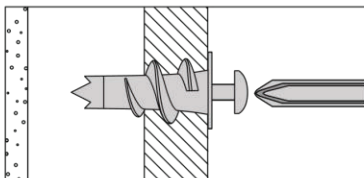
You can use one of the following types of wall plug if your walls are made of brick, breeze block, concrete, stone or wood.

No.1 "General Purpose" wall plug



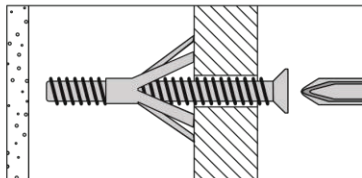
Generally aerated blocks should not be used to support heavy loads, use a specialist fitting in this case. For light loads, general purpose wall plugs can be used.

No.2 "Plasterboard" wall plug



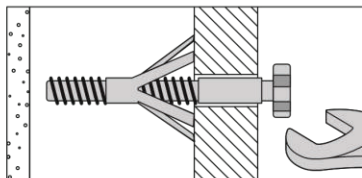
For use when attaching light loads on to plasterboard partitions.

No.3 "Cavity Fixing" wall plug



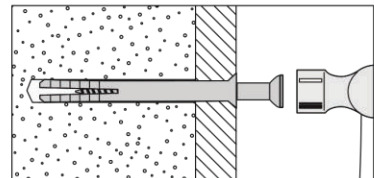
For use with plasterboard partitions or hollow wooden doors.

No.4 "Cavity Fixing-Heavy Duty" wall plug



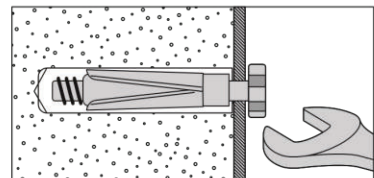
For use when fitting or supporting heavy loads such as shelving, wall cabinets and coat racks.

No.5 "Hammer Fixing" wall plug



For use with walls stuck with plasterboard. The hammer fixing allows it to be fixed to the wall rather than the plasterboard. Always check the fixing is secure to the retaining wall.

No.6 "Shield Anchor" wall plug Heavy loads



For use with heavier loads such as TV & HiFi speakers and satellite dishes etc.



Care & Maintenance

Safety: Always check the fitting and location to ensure your safety in and around the home.

Fitting: From time to time check the fitting to ensure the wall plugs or screws do not become loose.