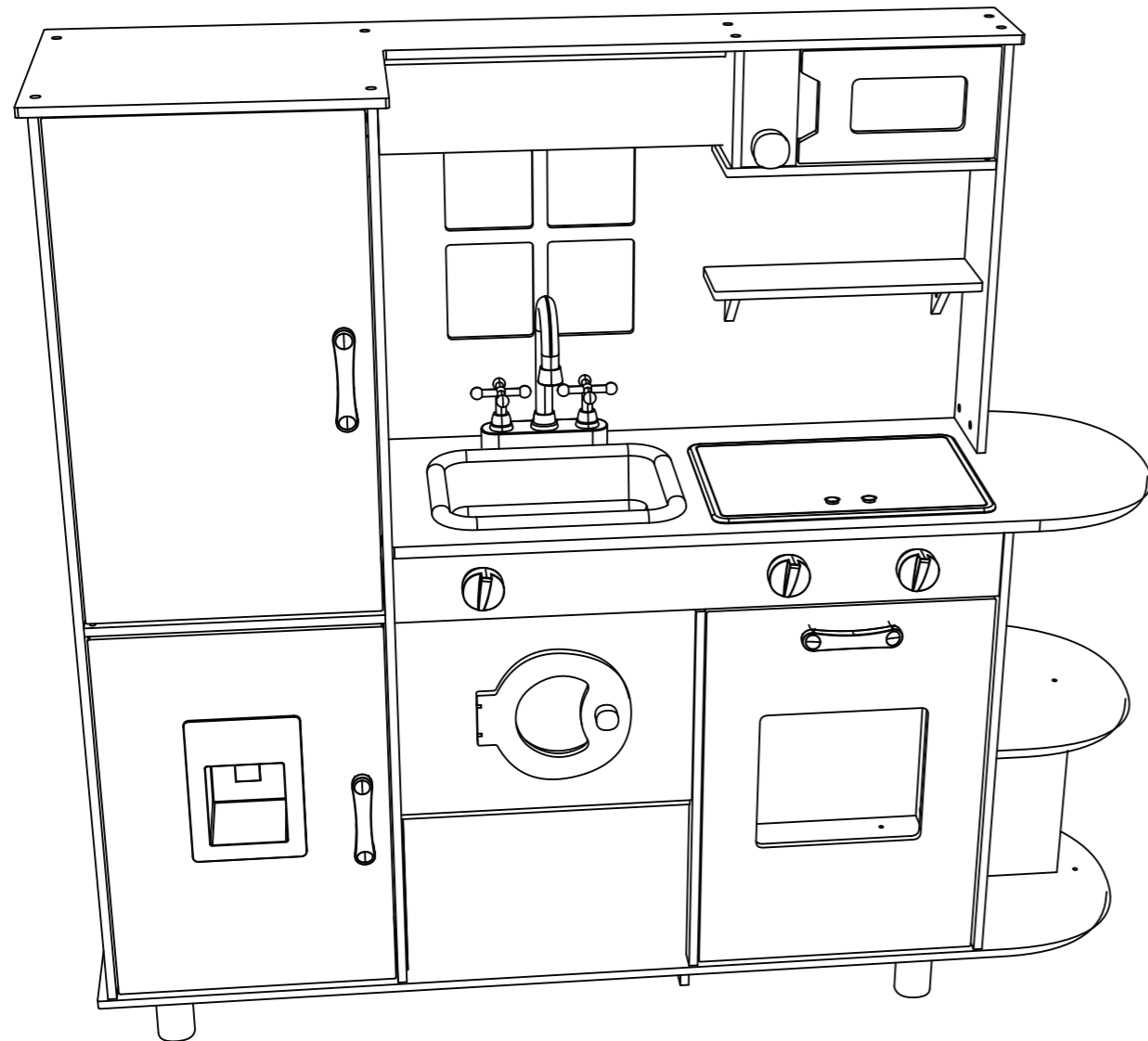


CV Wooden Kitchen Pink And Blue

Assembly & User Instructions - Please keep for future reference | 9411243



Important

Age: 3 years +

Important – Please read these instructions fully before assembly or use

These instructions contain important information which will help you get the best from your product and ensure safe and correct assembly, use and maintenance.

Safety Information

Important – Please read these instructions fully before assembly or use

General safety

Surface clean only.
Remove all packaging before giving to your child.

Not suitable for children under 36 months due to small parts - choking hazard.

Please keep this packaging for reference since it contains important information. Adult assembly required. Please read enclosed instructions before use. Young children in play are unaware of potential dangers and hazards, therefore responsible adult supervision is essential.

Safety Battery Precaution

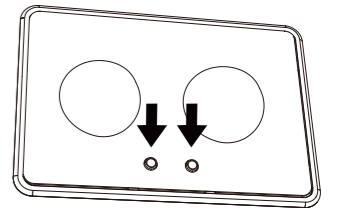
Non-rechargeable batteries are not to be recharged. Rechargeable batteries are to be removed from the toy before being charged. Rechargeable batteries are only to be charged under adult supervision. Different types of batteries or new and used batteries are not to be mixed. Only batteries of the same or equivalent types as recommended are to be used. Batteries are to be inserted with correct polarity. Exhausted batteries are to be removed from the toy. The supply terminals are not to be short-circuited. Do not dispose of the batteries in fire, battery may leak or explode. Battery should be replaced by an adult.

Battery Installation & Replacement

Switch off the power of the unit. Loosen the screw with a screw driver to open the battery compartment door at the back of the product. Insert/replace the new battery in the proper direction indicated inside the battery compartment. Close and screw the battery door.

Function

- The user can toggle the stove's light and sound settings by using the two red buttons on the surface: press the left button and a red flashlight is activated (four times per second) along with a sound that mimics water boiling; whilst pressing the right button activates the light and a sizzling pan sound. After 10 seconds, the light and sound will stop automatically.

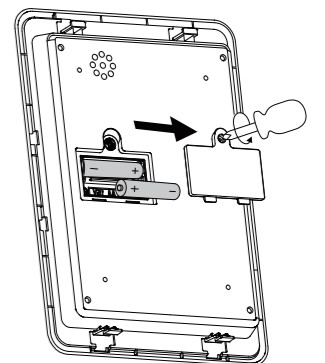
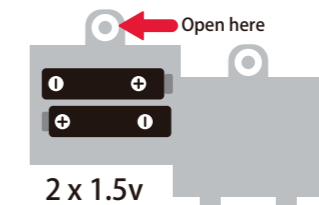
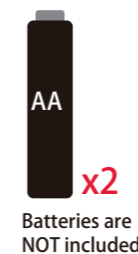


Inserting the batteries

- The electronic light-up stove is powered by 2x AA batteries. Use a screwdriver to open the battery-compartment cover on the back (see illustration), insert new batteries - taking note to use the correct polarity (+ and -) - and close the cover.

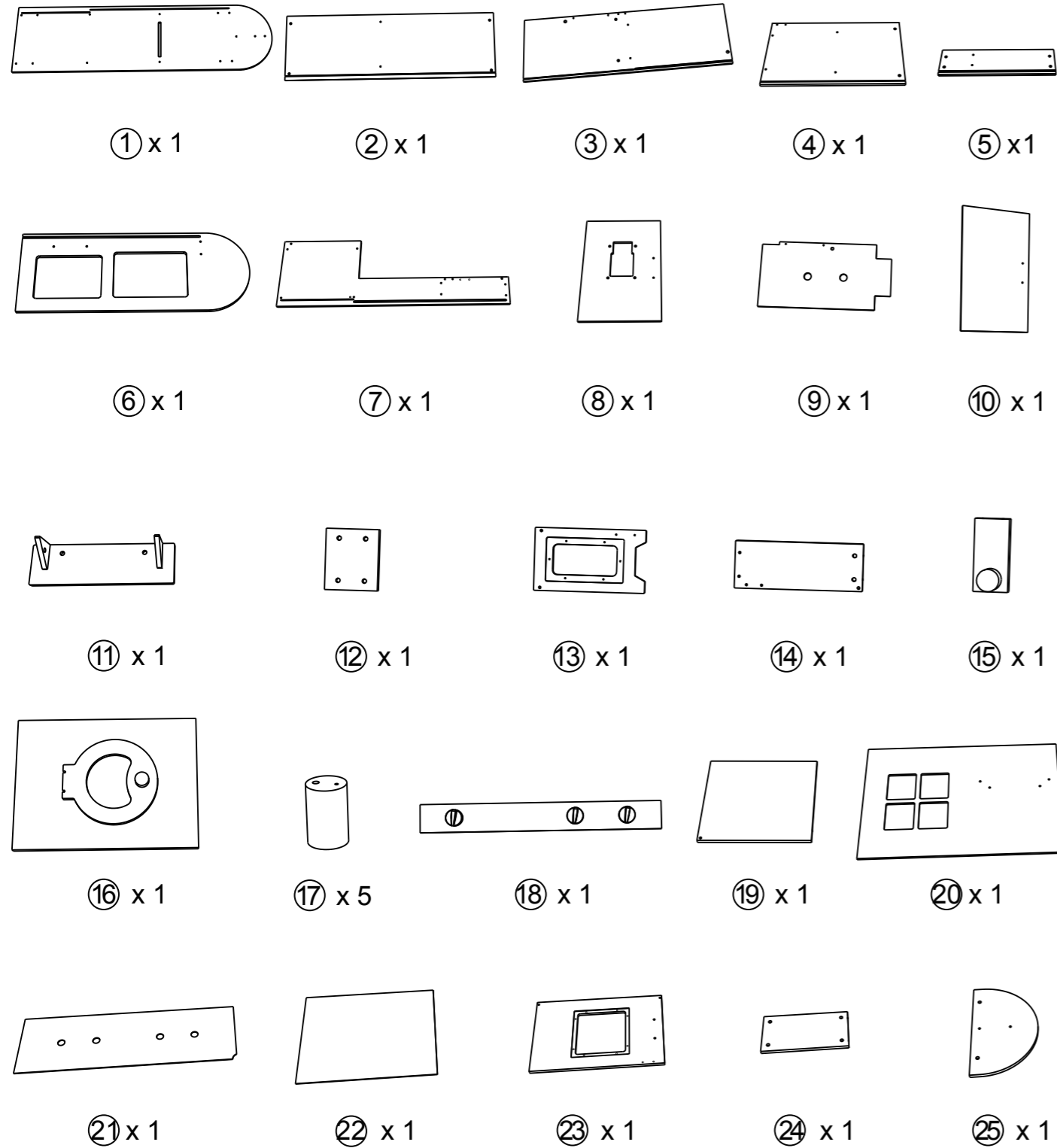
Important

- Please install the batteries using the correct polarity.
- Do not charge the batteries if they are not rechargeable.
- Please take the rechargeable batteries out of the toy before charging.
- Please charge the rechargeable batteries under the supervision of an adult.



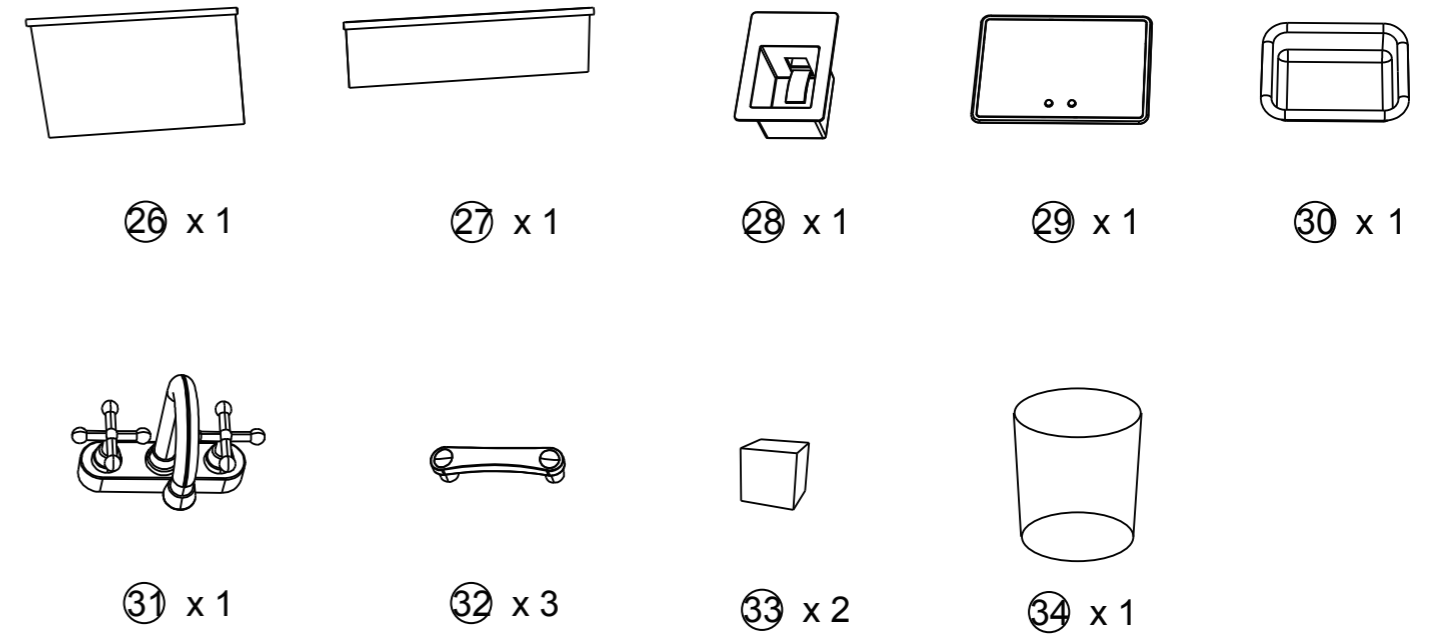
Parts

Please check you have all the parts and fittings listed below

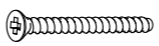


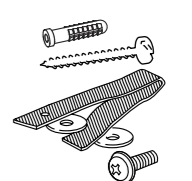
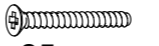

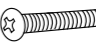


Parts

Please check you have all the parts and fittings listed below

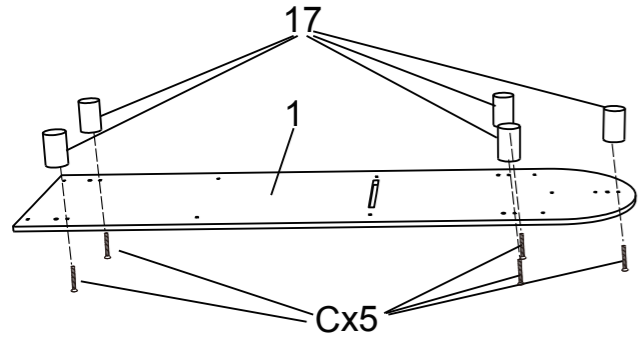


Note: The quantities below are the correct amount to complete the assembly. In some cases more fittings may be supplied than are required.

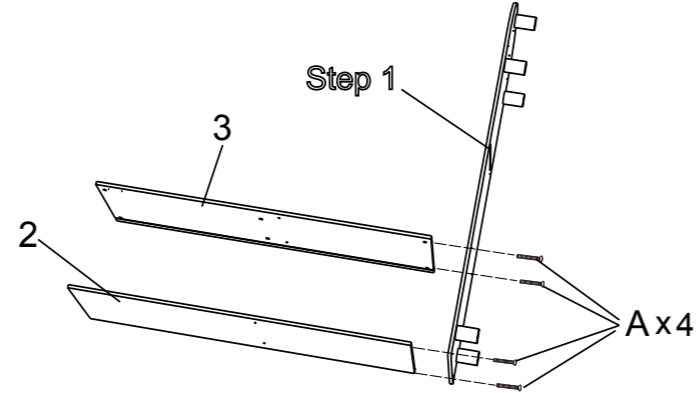
A  x 36 30mm	B  x 6 18mm	E  x 4 10mm	G  x 1
C  x 9 25mm	D  x 2 12mm	F  x 2 20mm	

Assembly Instructions

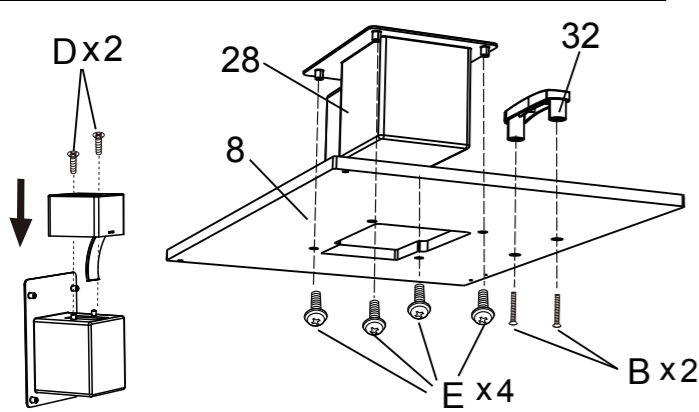
Step 1



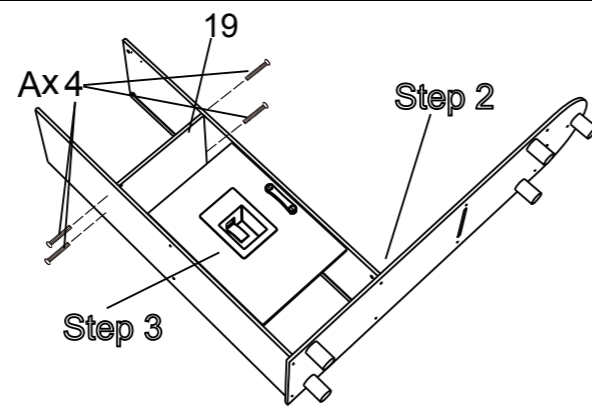
Step 2



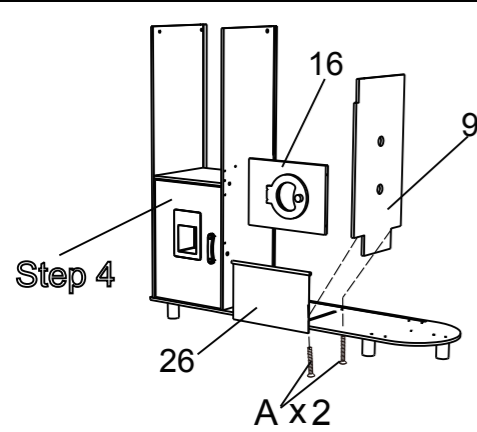
Step 3



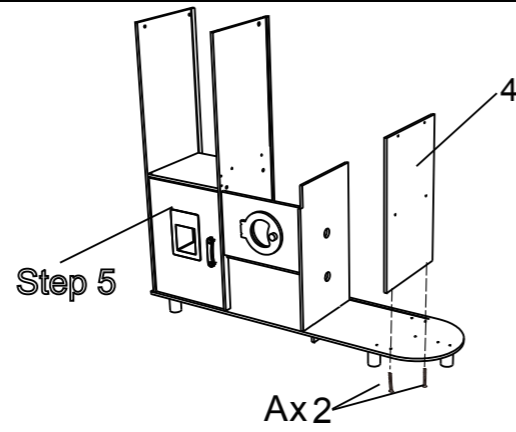
Step 4



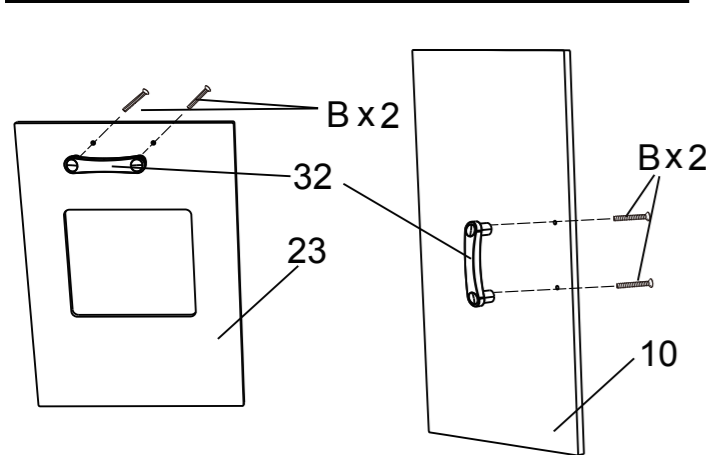
Step 5



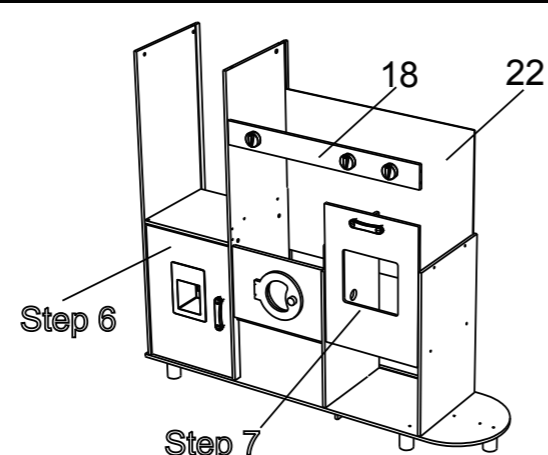
Step 6



Step 7

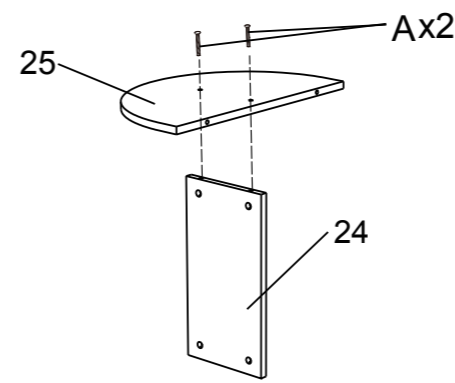


Step 8

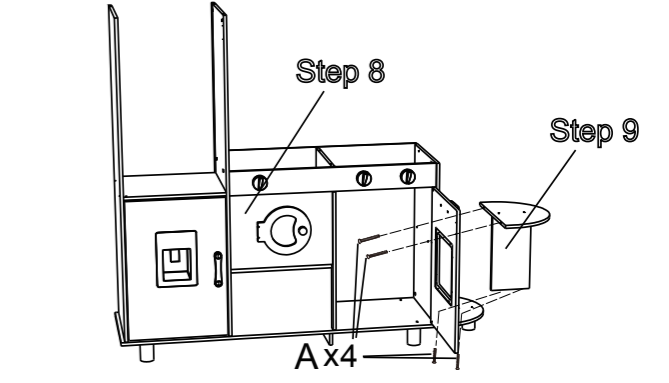


Assembly Instructions

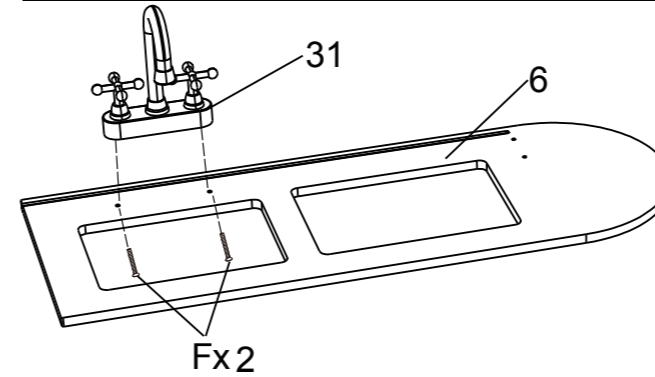
Step 9



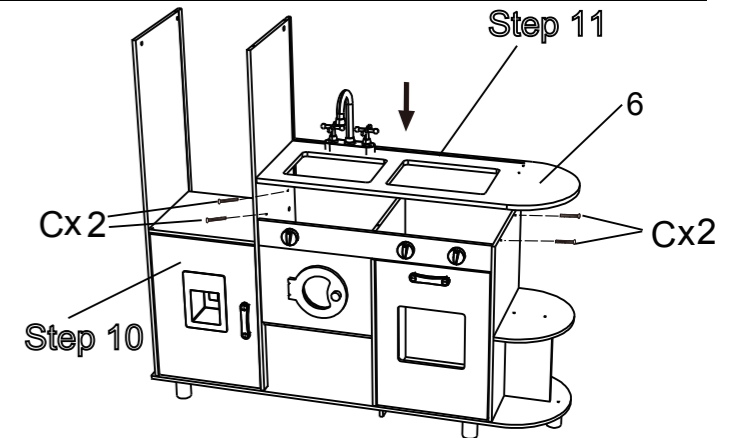
Step 10



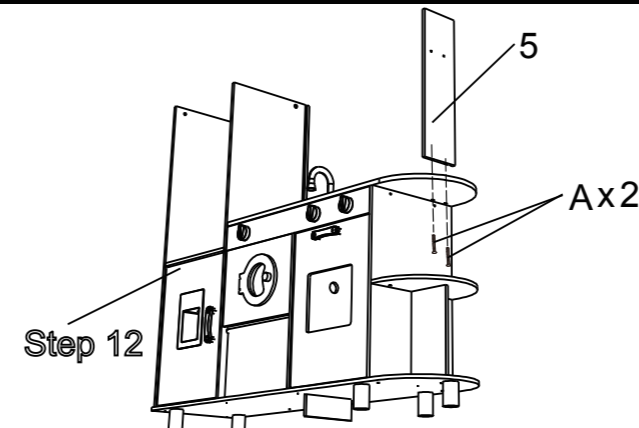
Step 11



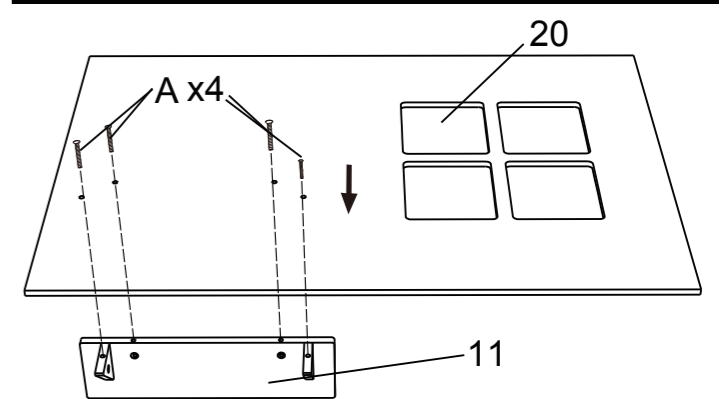
Step 12



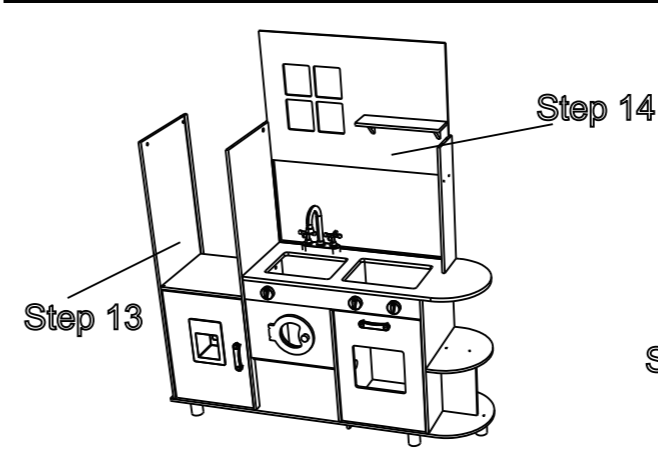
Step 13



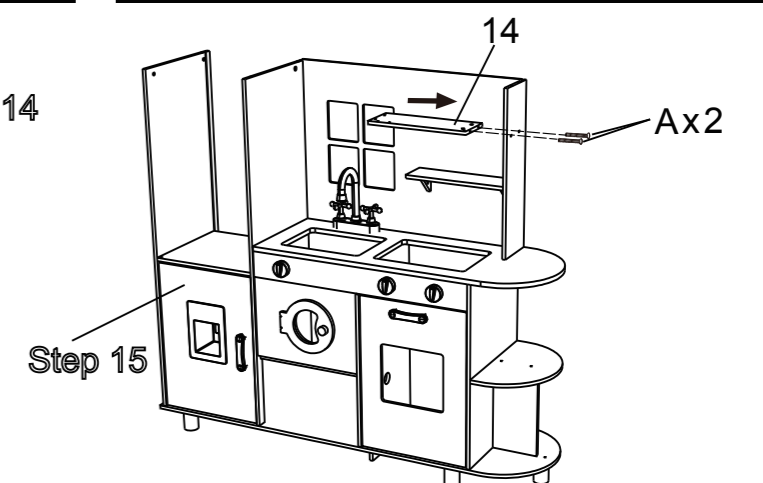
Step 14



Step 15

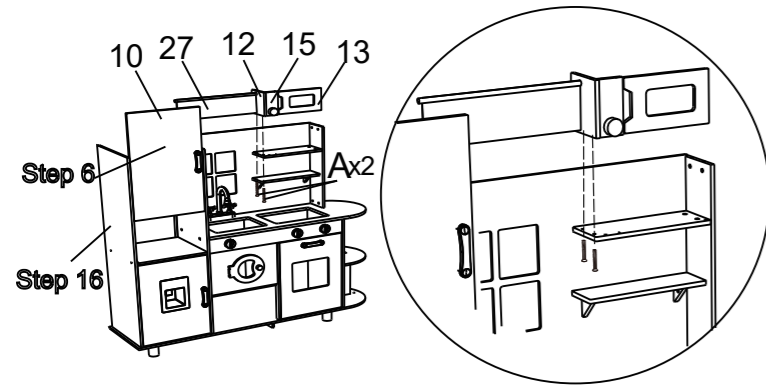


Step 16

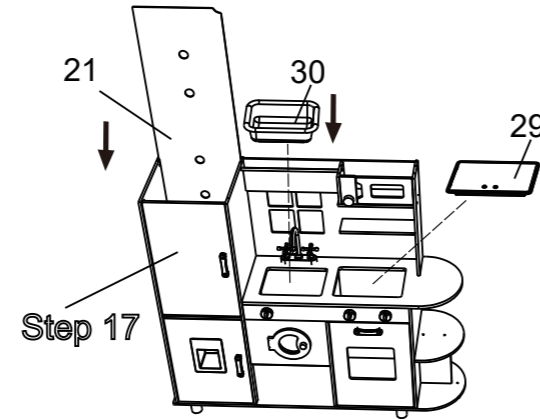


Assembly Instructions

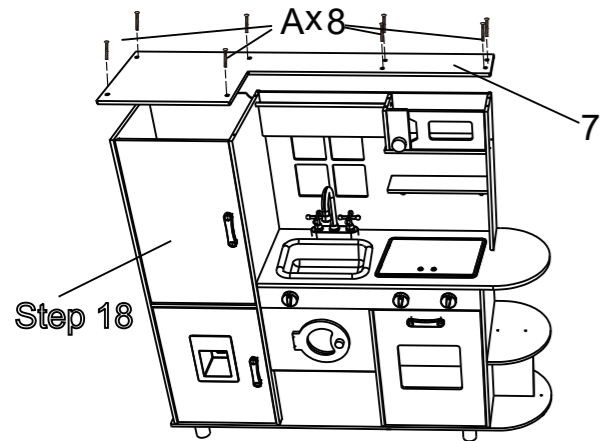
Step 17



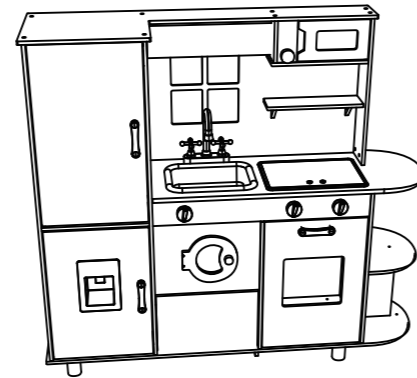
Step 18



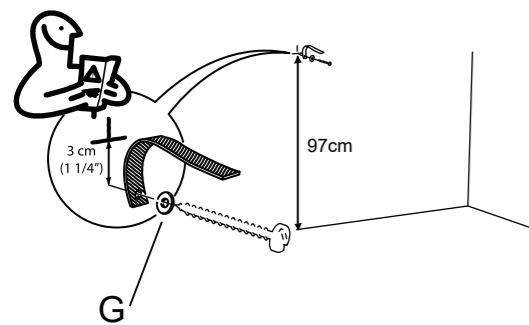
Step 19



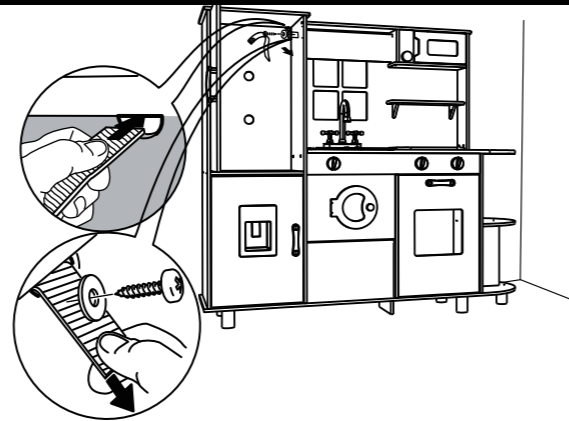
Step 20



Step 21



Step 22



Care and Maintenance

General

- Periodically check all fittings to ensure that none have come loose.
- Any loose fittings must be tightened using the correct tool.
- Store your tabletop kitchen in a cool and dry place indoors.
- Allow air to ventilate, to avoid moisture and mould.
- Treat the surface with care.
- Do not use sharp pointed objects on the surface as scratching the surface could cause permanent damage.
- Wipe clean the tabletop kitchen only with SOFT , DRY cloth.

Disposal information



Electrical product waste should not be discarded with household waste. Please actively support us in conserving resources and protecting the environment by returning the non-working electrical products to an appropriate disposable/recycling centre (if available).

**UK
CA**



**Warning! Not suitable for children under 36 months.
Choking hazard. Small parts.**

If you need help or have damaged or missing parts, call the **Customer Helpline: 0345 640 2020**

Produced for Argos Limited. Country of origin : China

Address: London, EC1N 2HT, UK. Argos (N.I.) Ltd. Forestside Shopping Centre,
Upper Galwally, Belfast, BT8 6FX, UK

Visit www.argos.co.uk/chadvalley