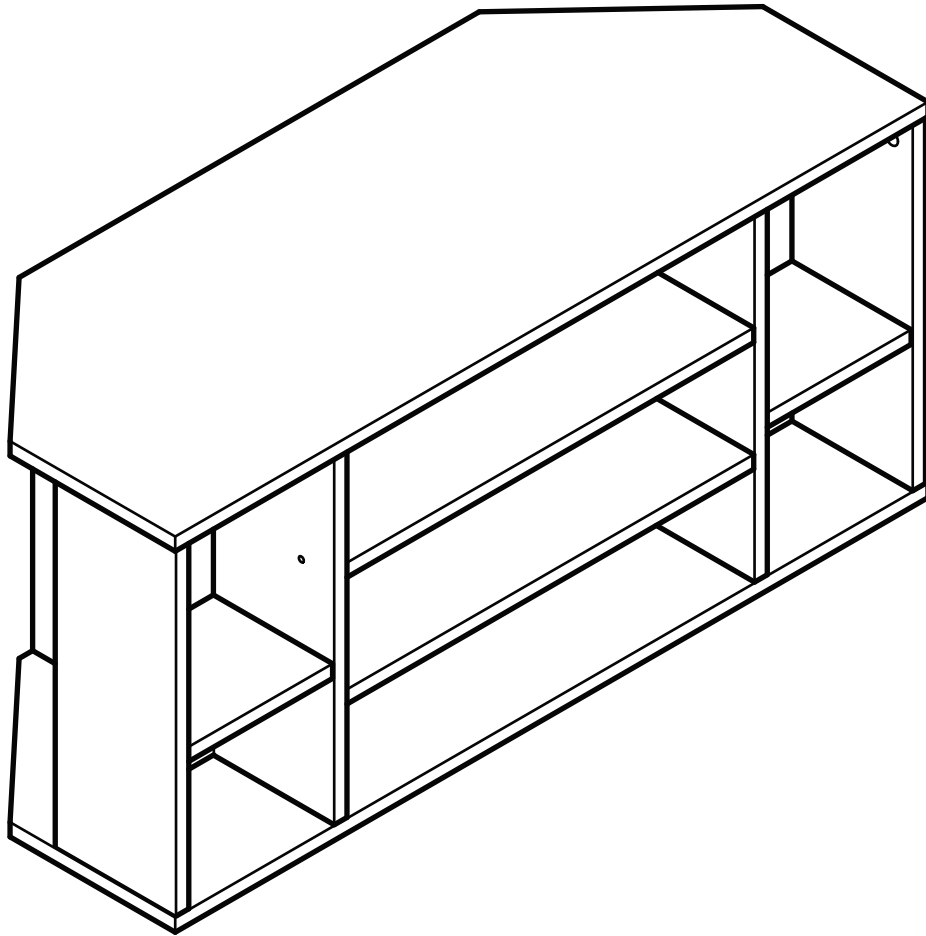



# Suki


# habitat




## Spare Parts

 [www.argos-support.co.uk](http://www.argos-support.co.uk)

 [Help@ClickSpares.co.uk](mailto:Help@ClickSpares.co.uk)

 0370 112 1928

## Customer Support

 0345 640 2020



# Safety and Care Advice

---

## Product Details

Suki Corner TV Unit 940/7879, 609/7426, 392/4970

## IMPORTANT, RETAIN FOR FUTURE REFERENCE: READ CAREFULLY.

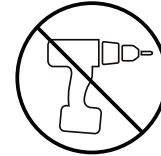
- Keep children and animals away from the work area, small parts could choke if swallowed.

- Make sure you have enough space to layout the parts before starting.

- This product has been constructed to be used in the domestic environment only and not for commercial purposes.

- Assemble the item as close to its final position (in the same room) as possible.

- Assemble on a soft level surface to avoid damaging the unit or your floor.



- We do not recommend the use of power drill/drivers for inserting screws as this could damage the unit. Only use hand screwdrivers.

- Parts of the assembly will be easier with 2 people.

- Dispose of all packaging carefully and responsibly.

## Care and maintenance

---

- Only clean using a damp cloth and mild detergent. Do not use abrasive cleaners.

- Use a dry cloth to clean the product, furniture polish is not recommended.

- From time to time check that there are no loose screws, nuts or bolts. If there are please re-tighten.

- This product should not be discarded with household waste. Take to your local authority waste disposal centre.

## WARNING

---

In order to prevent overturning this product must be used with the wall attachment device provided.

## Additional Guidance

---

- Assemble all parts and bolts loosely during assembly, only once the product is complete should you fully tighten the bolts.

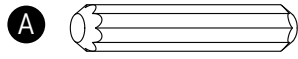
- Regularly check and ensure that all bolts and fittings are tighten properly.

- This product is compliant BS4875-7 level 3

# Fittings (Shown to scale)

---

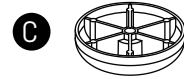
## Bag 1



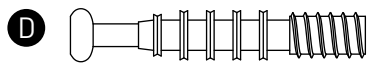
6 x 30mm Dowel x 8



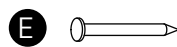
5 x 50mm Screw x 18



Foot x 4



7 x 39mm Locking Pin x 6



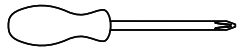
1.2 x 20mm Nail x 6



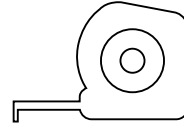
15 x 12mm Locking Nut x 6

# Tools required

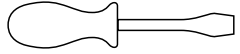
---



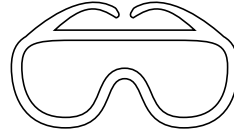
Phillips screwdriver  
(small & medium)



Ruler/tape  
measure



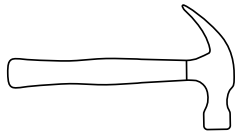
Phillips screwdriver  
(small & medium)



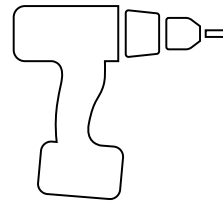
Eye protection  
(when using a  
hammer or glue)



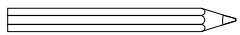
Small  
hammer



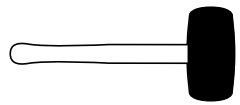
Large hammer



Power Drill



Pencil



Mallet



Drill Heads



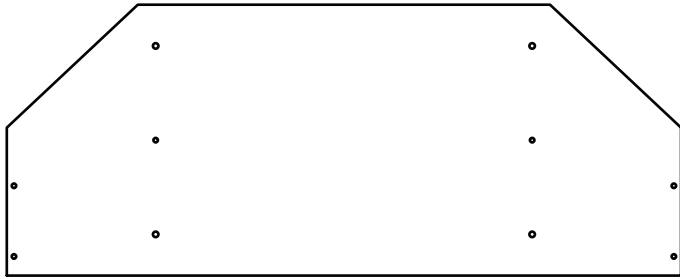
Set Square



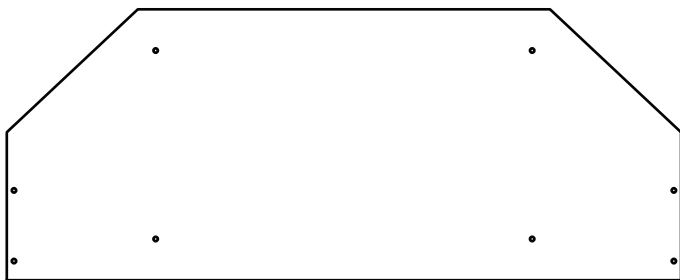
Spirit Level

# Panels

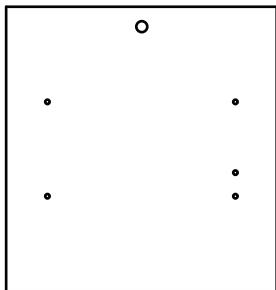
---



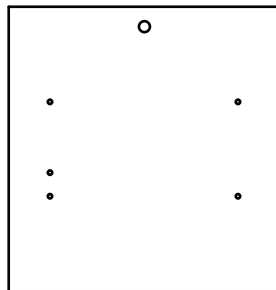
1 Top (916 x 368mm)



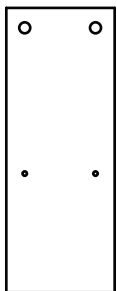
2 Bottom (916 x 368mm)



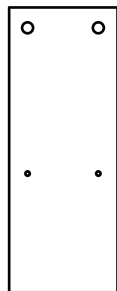
3 Middle Right (367 x 386mm)



4 Middle Left (367 x 386mm)



5 Right Side (147 x 386mm)



6 Left Side (147 x 386 mm)



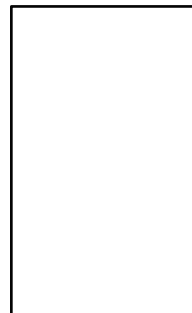
7 Right Shelf (177 x 145mm)



8 Left Shelf (177 x 145mm)

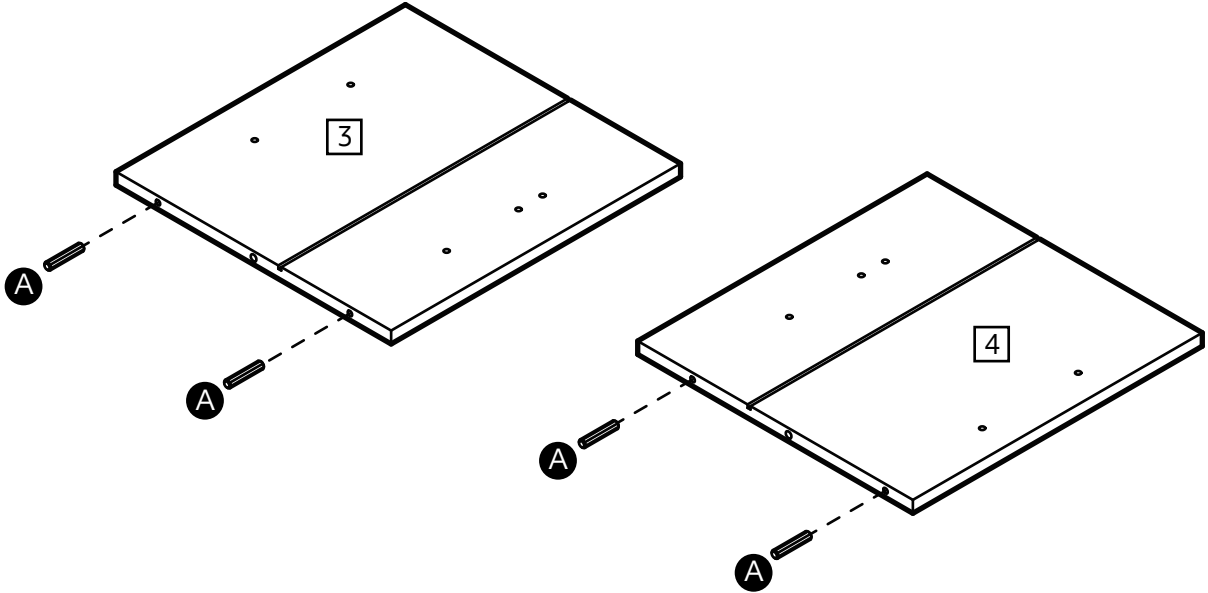
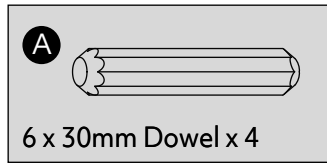
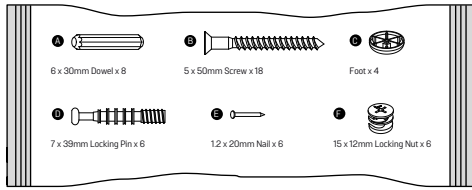


9 Middle Shelf (496 x 366mm) (x2)

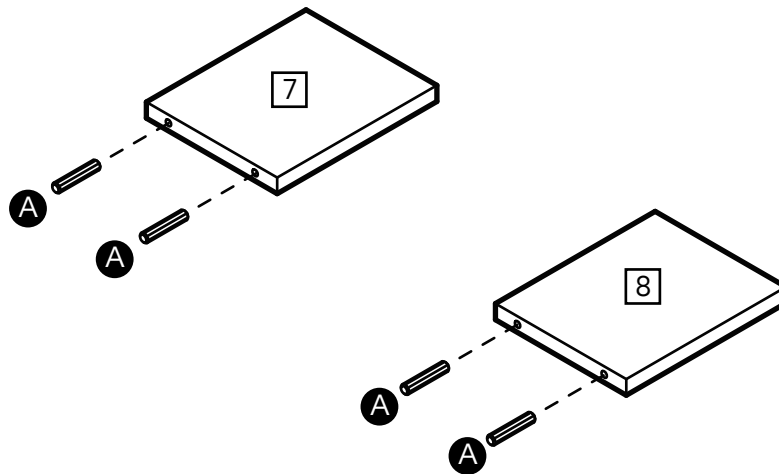
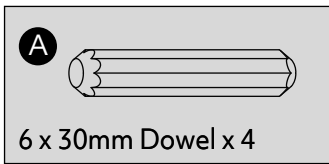


10 Back (192 x 386mm) (x2)

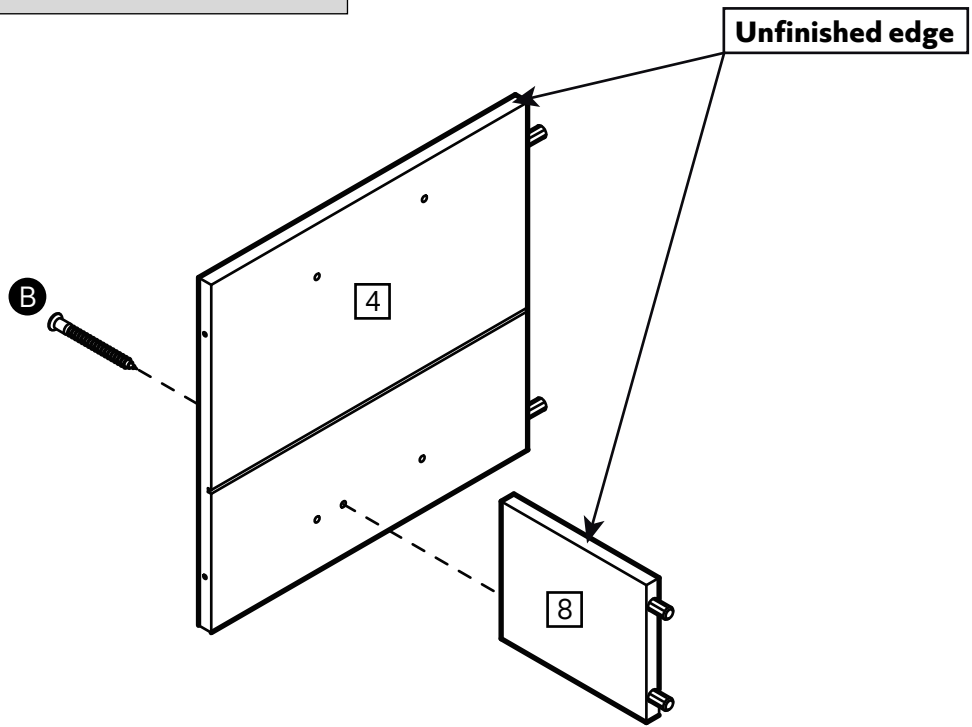
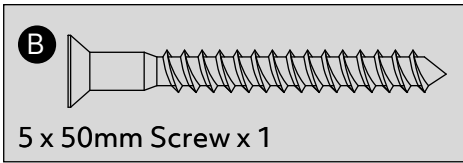
# 1



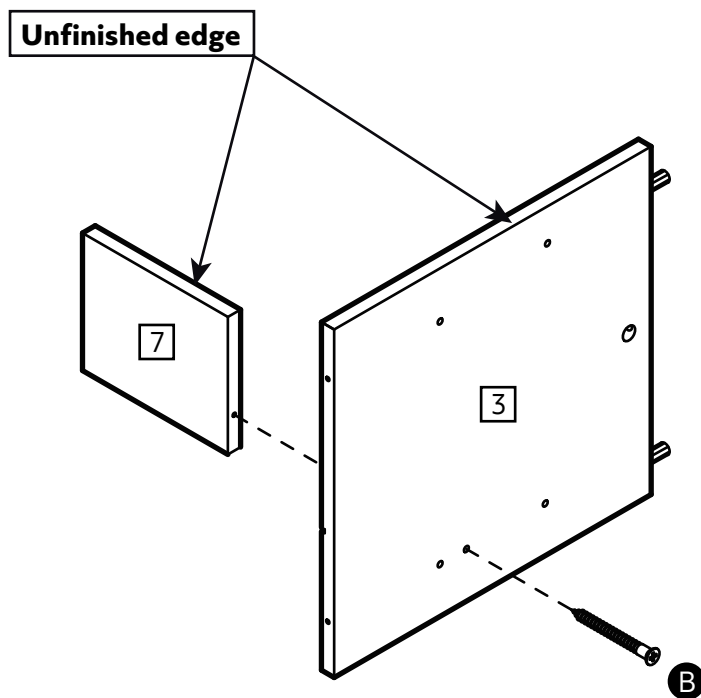
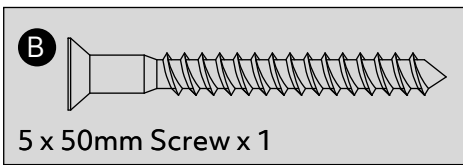
# 2



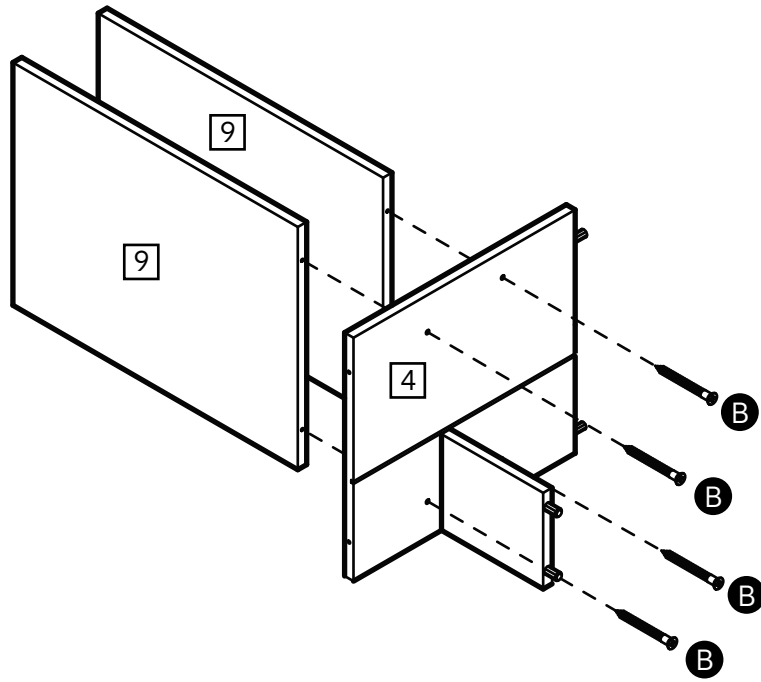
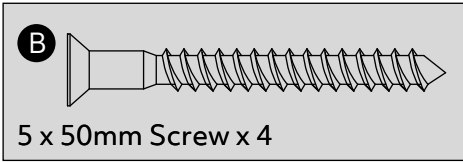
# 3



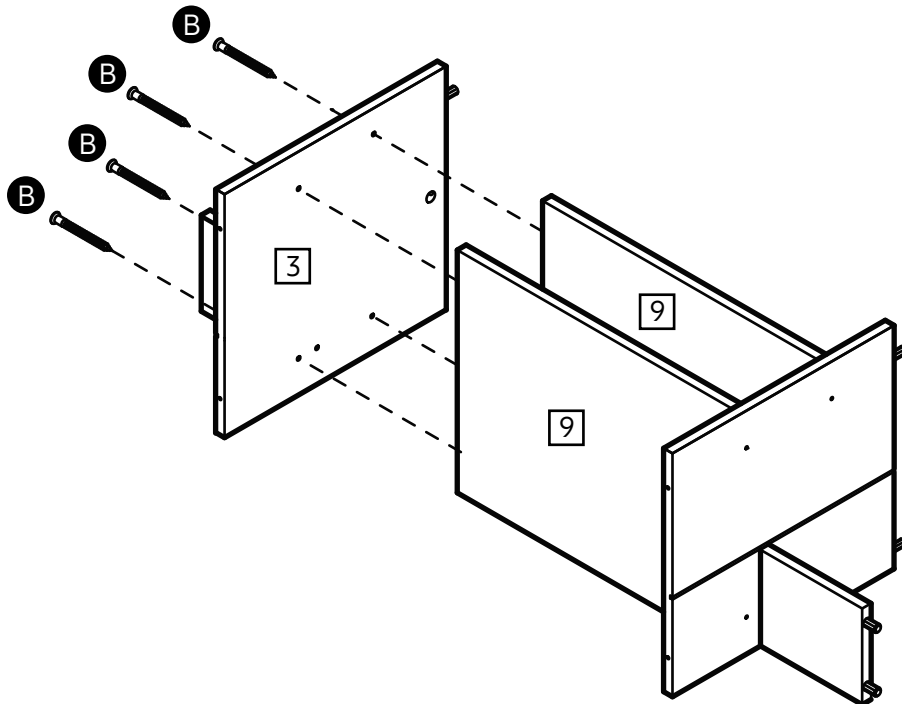
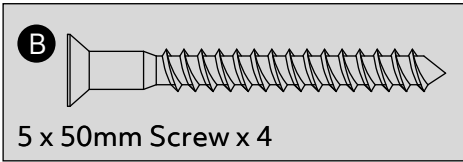
# 4



# 5

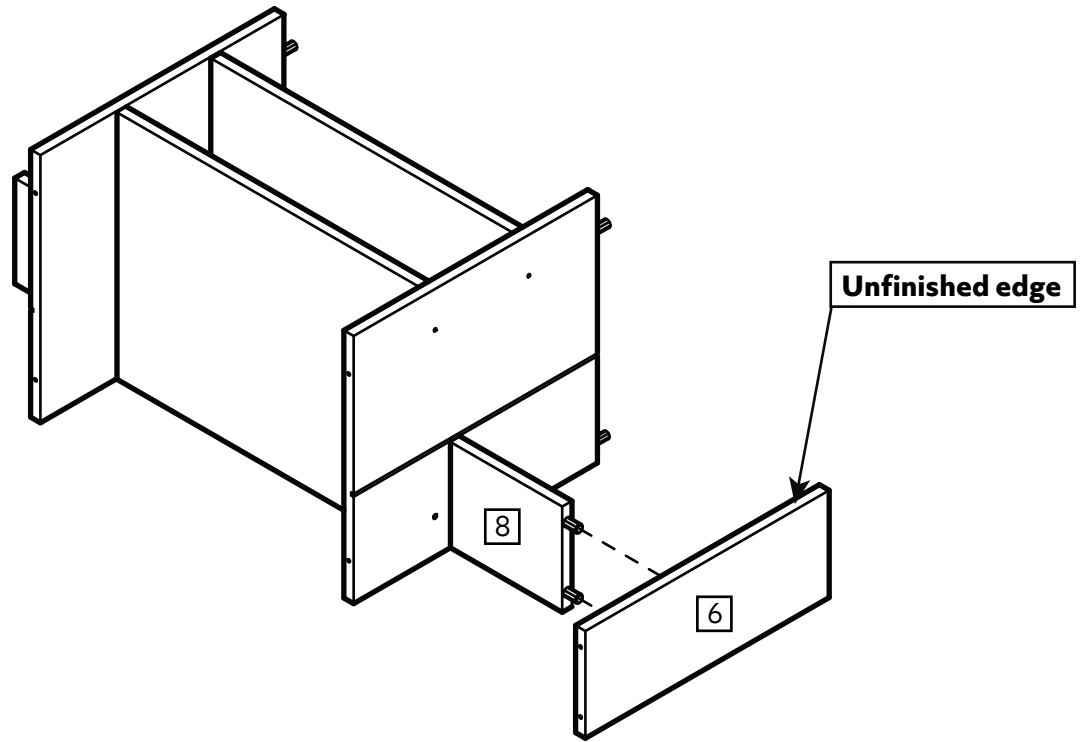


# 6

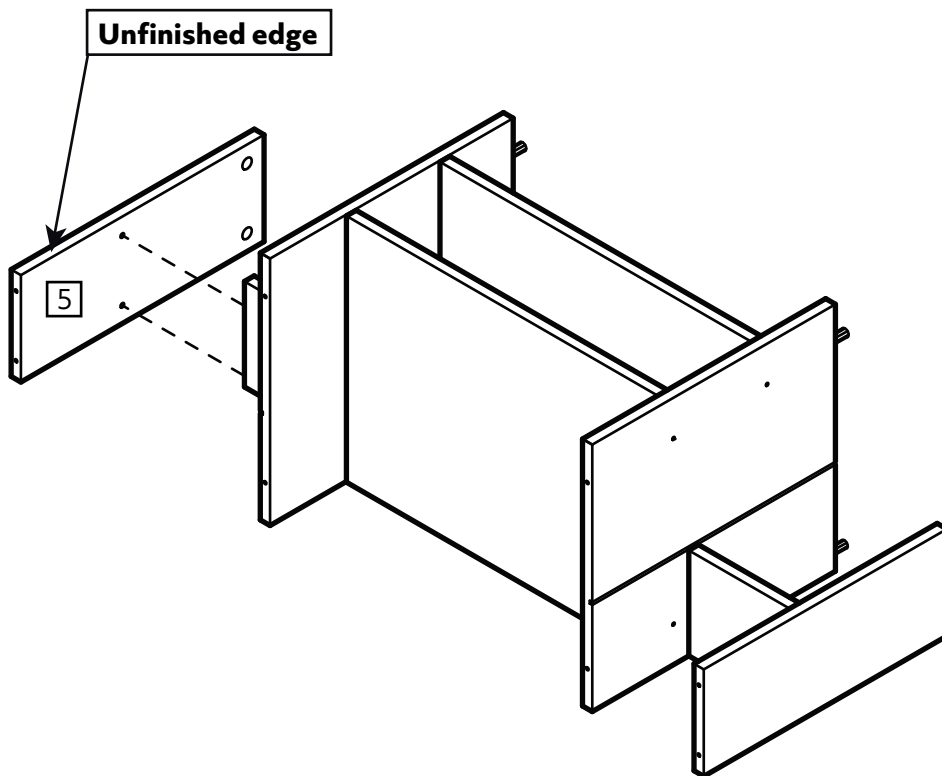




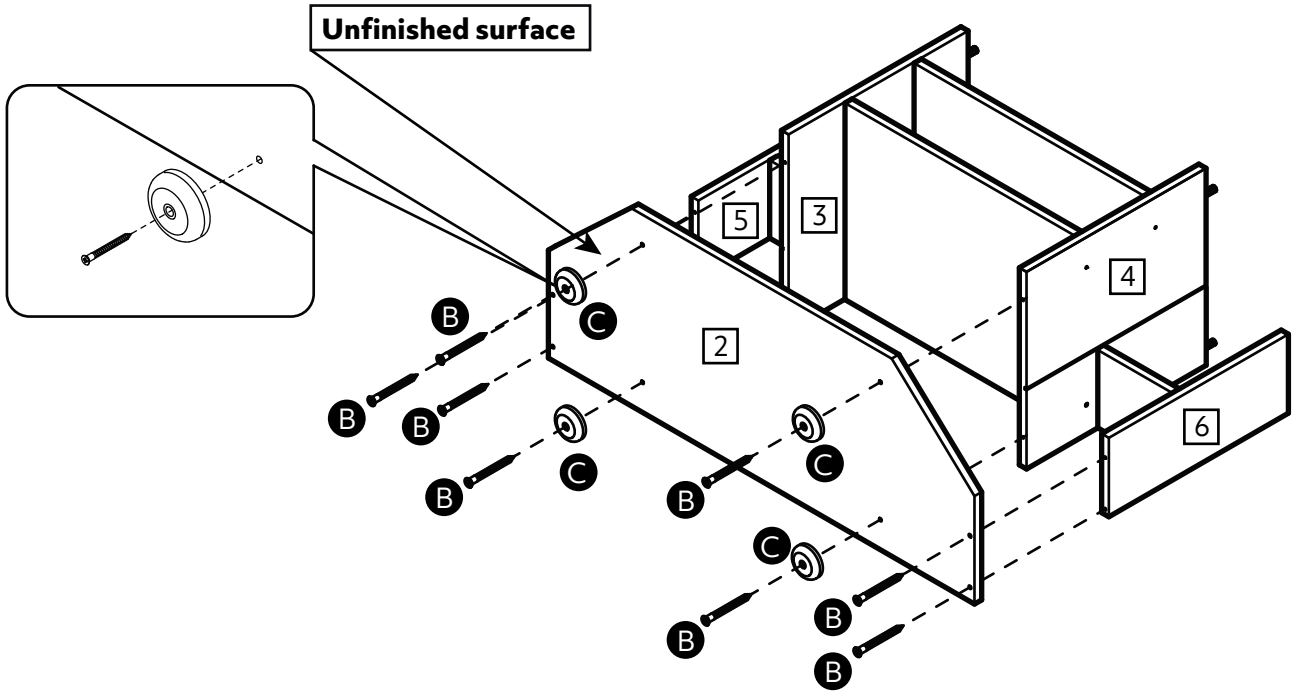
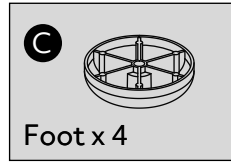
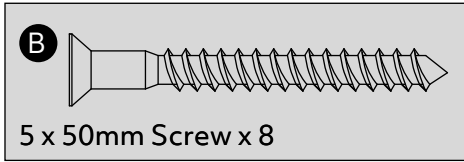
# 7



# 8

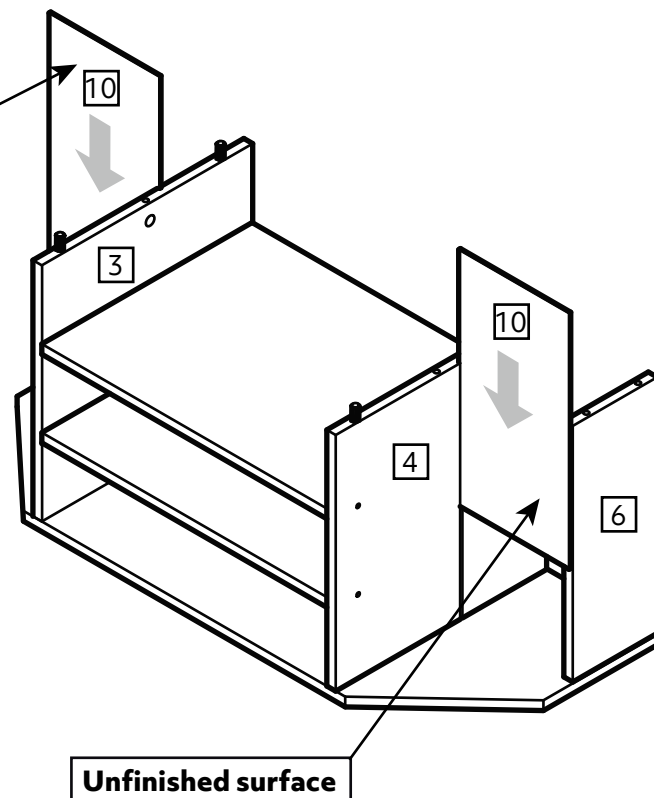


# 9

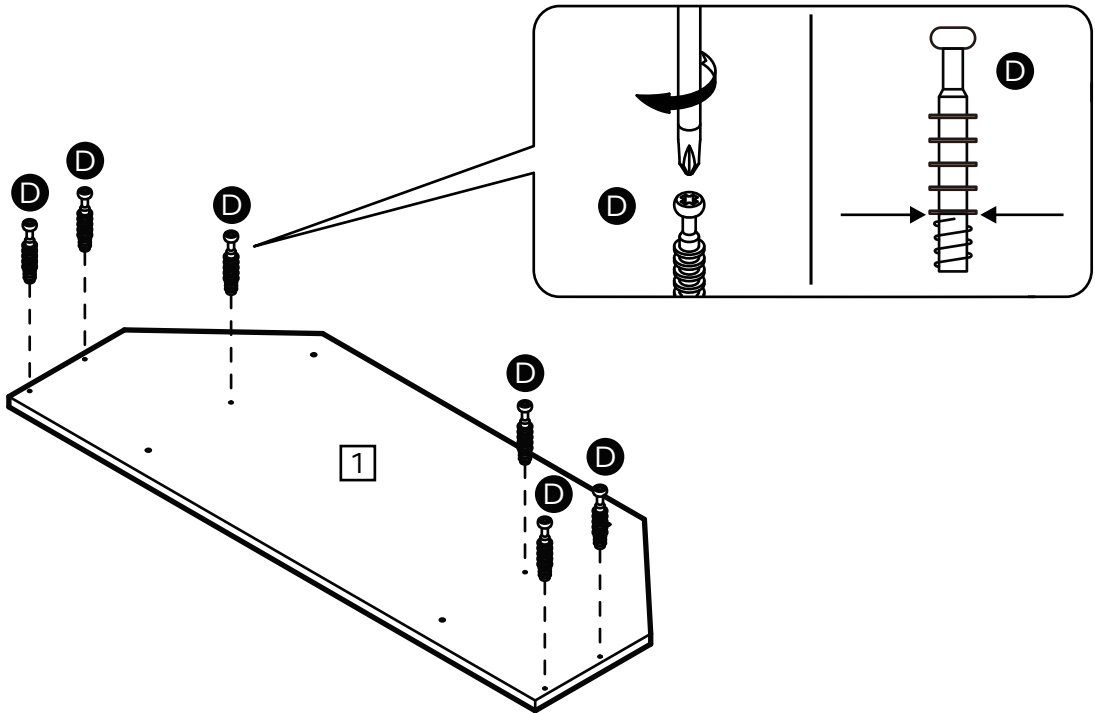
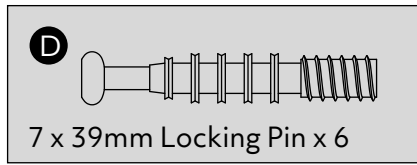


# 10

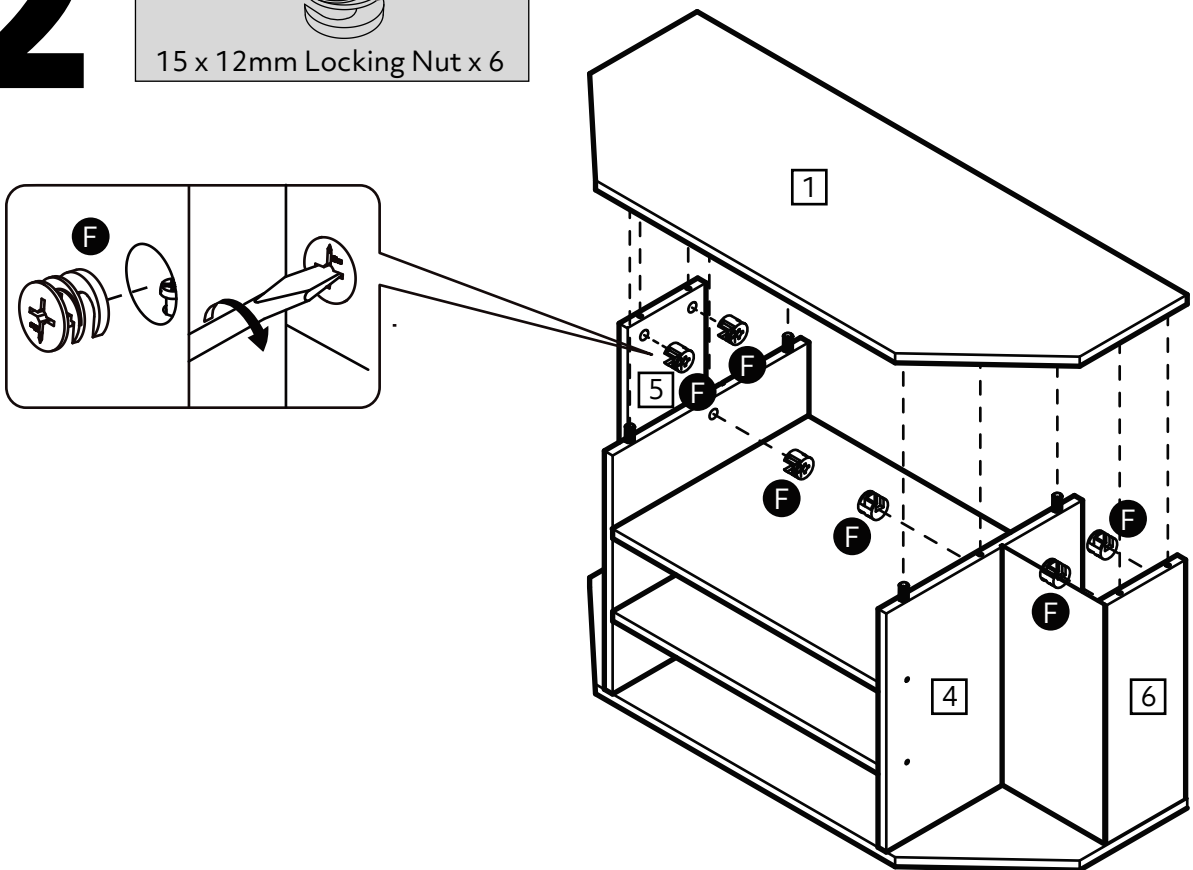
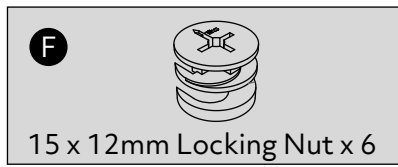
**Unfinished surface**



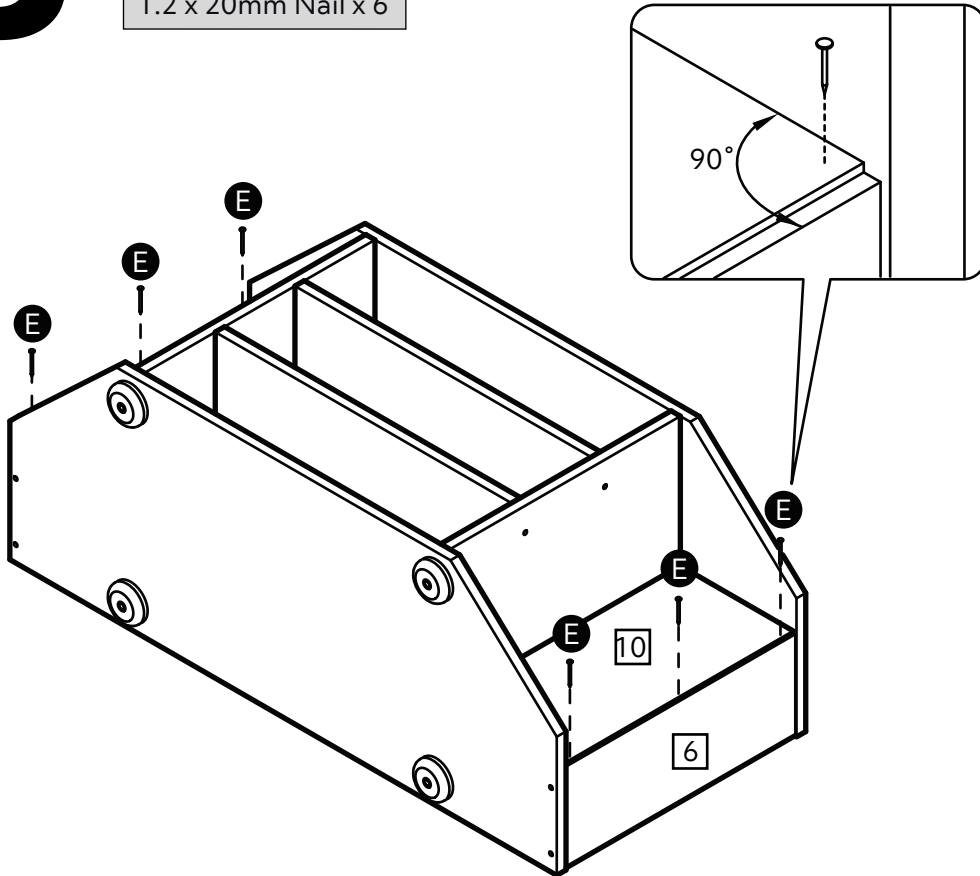
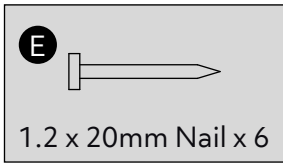
# 11



# 12



# 13



# 14

