

Important - Please read these instructions fully before installing or using

These instructions contain important information which will help you get the best from your appliance and ensure safe and correct installation, use and maintenance.

If you need help or have damaged or missing parts, call the **Customer Helpline: 0345 257 7271**

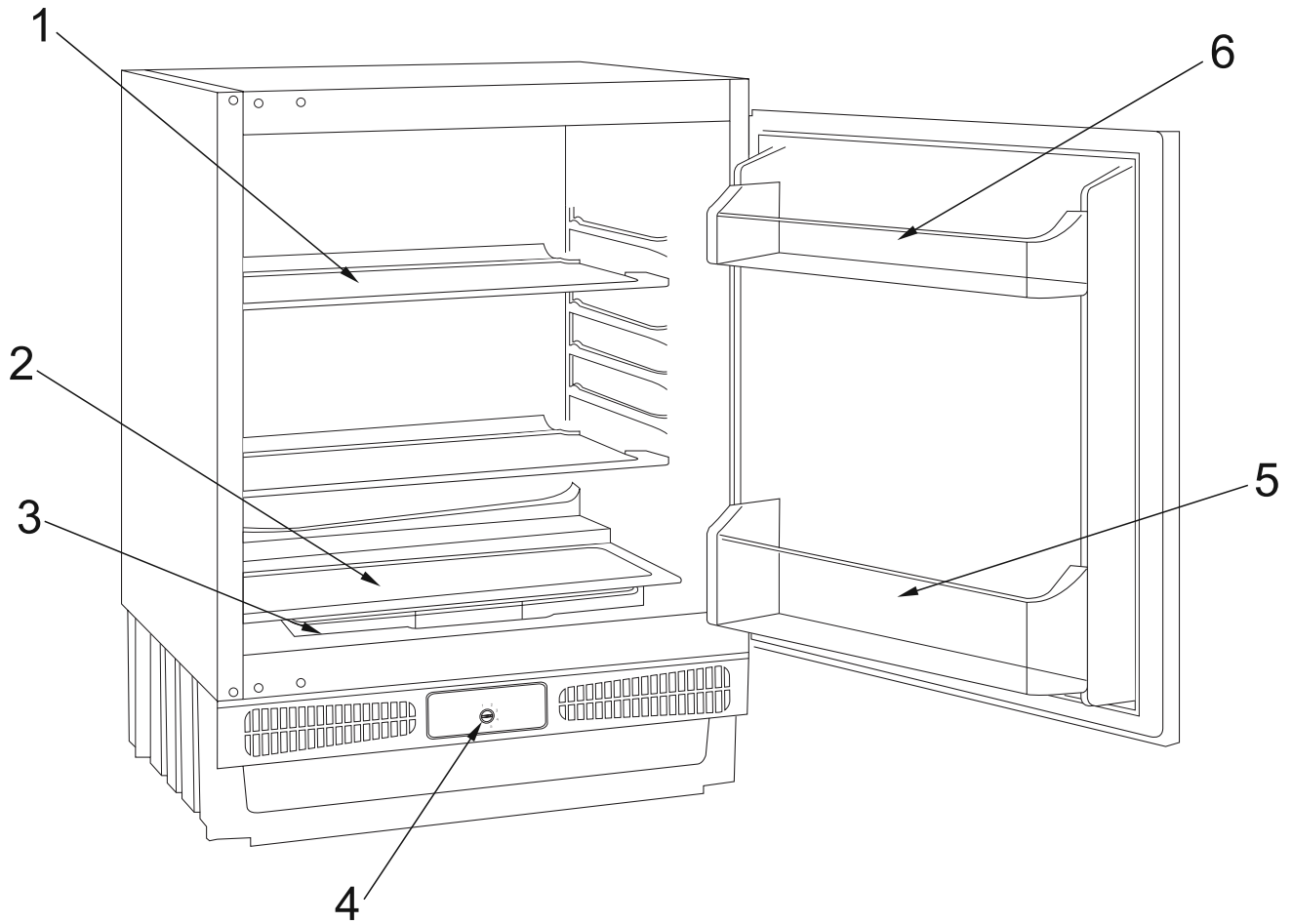
DESCRIPTION OF PRODUCTS & CONTENT	3
BEFORE USING THE APPLIANCE	4
General warnings	4
Old and out-of-order fridges	5
Disposal of your old appliance	5
Safety warnings	5
Installing and operating your fridge	6
Before using your fridge	6
Electrical Connection (For UK type plug)	6
INSTALLATION	8
Installation kit contents	8
Tools required	8
Dimensions for installation	9
Installing top bracket	9
Fitting the door gasket	10
Height adjustment	10
Position the larder	11
Securing the larder	11
Fitting the cabinet door	12
Installing the plinth	14
Reversing the door	15
USER INFORMATION	16
Thermostat settings	16
Warnings for temperature settings	16
ARRANGING FOOD IN THE APPLIANCE	17
CLEANING AND MAINTENANCE	18
Defrosting	18
Replacing the light bulb	18
SHIPMENT AND REPOSITIONING	19
BEFORE CALLING YOUR AFTER SALES SERVICE	20
Tips for saving energy	20
TECHNICAL SPECIFICATIONS	21
GUARANTEE	22

Product code

BUCL6082

DESCRIPTION OF PRODUCTS & CONTENT

Customer Helpline: 0345 257 7271



1. Larder shelf
2. Crisper cover/safety glass
3. Crisper
4. Thermostat button
5. Bottom shelf
6. Butter shelf



BEFORE USING THE APPLIANCE

Customer Helpline: 0345 257 7271

Important - Please read these instructions fully before installation

General warnings

WARNING: Keep ventilation openings, in the appliance enclosure or in the built-in structure, clear of obstruction.

WARNING: Do not use mechanical devices or other means to accelerate the defrosting process, other than those recommended by the manufacturer.

WARNING: Do not use electrical appliances inside the food storage compartments of the appliance, unless they are of the type recommended by the manufacturer.

WARNING: Do not damage the refrigerant circuit.

WARNING: To avoid a hazard due to the instability of the appliance, it must be fixed in accordance with the instructions.

- If your appliance uses R600a as a refrigerant – you can learn this information from the label on the cooler- you should be careful during shipment and installation to prevent your appliance's cooler elements from being damaged. Although R600a is an environmentally friendly and natural gas. As it is explosive, in the event of a leak due to damage to the cooler elements, move your fridge from open flame or heat sources and ventilate the room where the appliance is located for a few minutes.
- While carrying and positioning the fridge, do not damage the cooler gas circuit.
- Do not store explosive substances such as aerosol cans with a flammable propellant in this appliance.
- This appliance is intended to be used in household and similar applications such as;
 - staff kitchen areas in shops, offices and other working environments
 - farm houses and by clients in hotels, motels and other residential type environments
 - bed and breakfast type environments;
 - catering and similar non-retail applications
- If the socket does not match the refrigerator plug, it must be replaced by the manufacturer, its service agent or similarly qualified persons

in order to avoid a hazard.

- This appliance is not intended for use by persons (including children) with reduced physical, sensory or mental capabilities, or lack of experience and knowledge, unless they have been given supervision or instruction concerning use of the appliance by a person responsible for their safety. Children should be supervised to ensure that they do not play with the appliance.
- A specially grounded plug has been connected to the power cable of your refrigerator. This plug should be used with a specially grounded socket of 16 amperes. If there is no such socket in your house, please have it installed by an authorized electrician.
- This appliance can be used by children aged from 8 years and above and persons with reduced physical, sensory or mental capabilities or lack of experience and knowledge if they have been given supervision or instruction concerning use of the appliance in a safe way and understand the hazard involved. Children shall not play with the appliance. Cleaning and user maintenance, shall not be made by children without supervision.
- If the supply cord is damaged, it must be replaced by the manufacturer, its service agent or similar qualified persons in order to avoid a hazard.

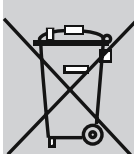
Old and out-of-order fridges

- If your old fridge has a lock, break or remove the lock before discarding it, because children may get trapped inside it and may cause an accident.
- Old fridges and freezers contain isolation material and refrigerant with CFC. Therefore, take care not to harm environment when you are discarding your old fridges.

Notes:

- Please read the instruction manual carefully before installing and using your appliance. We are not responsible of the damage occurred due to misuse.
- Follow all instructions on your appliance and instruction manual, keep this manual in a safe place to resolve any problems that may occur in the future.
- This appliance is produced to be used in domestic households only. It is not suitable for commercial use. Such use will cause the guarantee of the appliance to be cancelled and our company will not be responsible for the losses that may occur.
- This appliance is produced to be used in domestic households and it is only suitable for cooling / storing foods. It is not suitable for commercial use and/or for storing substances except for food. Our company is not responsible for the losses that may occur by incorrect use.

Disposal of your old appliance



This symbol on the product or package implies that the product should not be treated as domestic waste. Instead, it should be delivered to applicable waste collection places recycling electrical and electronic equipment. You will contribute to avoid potential negative results regarding environment and human health, which will arise due to wrong waste procedure for the product by ensuring that this product is annihilated properly. Recycling materials will help natural resources be preserved. For more detailed information regarding recycling of this product, please contact local municipality,

domestic waste annihilation service or the shop you have purchased the product.

Please ask your municipal authority about the disposal of the WEEE for the reuse, recycle and recovery purposes.

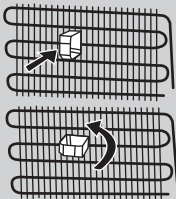
Safety warnings

- Do not use extension leads when connecting this appliance.
- Do not plug in damaged, torn or old plugs.
- Do not pull, bend or damage the cord.
- This appliance is designed for use by adults, do not allow children to play with the appliance or let them to hang on the door.
- Do not insert or remove the plug from the socket with wet hands. Electrocutation and or injury may occur.
- Do not place glass bottles or cans in the freezer compartment. Bottles or cans may explode.
- Do not place explosive or flammable material in your fridge for your safety. Place drinks with higher alcohol content vertically and by closing their necks tightly in the fridge compartment.
- When taking ice made in the freezer compartment, do not touch it, ice may cause ice burns and/or cuts.
- Do not touch frozen goods with wet hands! Do not eat ice-cream and ice cubes immediately after you take them out of the freezer compartment!
- Do not re-freeze defrosted items. This may cause health issues like food poisoning.
- Do not cover the body or top of fridge. This affects the performance of your fridge.
- Ensure the accessories are secured during transportation to prevent damage.

Installing and operating your fridge

Before starting to use your fridge, you should pay attention to the following points:

- Operating voltage for your fridge is 220-240 V at 50Hz.
- We do not take the responsibility of the damages that occur due to ungrounded usage.
- Do not place your appliance in direct sunlight.
- Your appliance should be at least 50 cm away from stoves, Gas ovens and heaters, and should be at least 5 cm away from electrical ovens.
- Your fridge should never be used outdoors or left out in the rain.
- When your fridge is placed next to a deep freezer, there should be at least 2 cm between them to prevent humidity on the outer surface.
- Do not place anything on your fridge, and install your fridge in a suitable place so that there is at least 15cm clearance at the top.
- The adjustable front legs should stabilise in an appropriate height to allow your fridge to operate in a stable and proper way. You can adjust the legs by turning them clockwise (or in the opposite direction). This should be done before placing food in the fridge.
- Before using your fridge, wipe all parts with warm water, and then rinse and dry. Place all parts back in the appliance after cleaning.
- Install the distance adjustment plastic (the part with black vanes at the rear) by turning it 90° as shown in the figure to prevent the condenser from touching the wall.
- Refrigerators should be placed against a wall with a free distance of at least 75mm.



Before using your fridge

- Before switching on your appliance for the first time, ensure it is positioned in its desired final location and is in its upright position for at least 3 hours before plugging in and switching on the power. Otherwise you may damage the compressor.
- You may experience an odour from the appliance when it is operated for the first time. This is normal and will fade when your appliance starts to cool.



Electrical Connection (For UK type plug)

For your safety please read the following information

Warning: This appliance must be earthed.

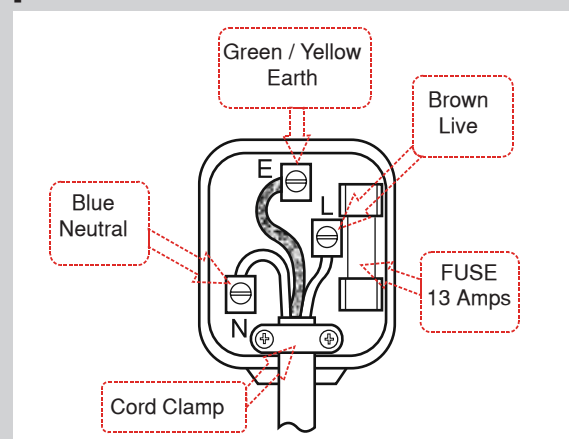
This appliance operates from 220-240 volts and should be protected by a 13 amp fuse in the plug.

The appliance is supplied with a standard 13 amp 3-pin mains plug fitted with a 13-amp fuse. Should the fuse require replacement, it must be replaced with a fuse rated at 13 amp and approved to BS1362.

If the mains plug which is fitted is unsuitable for the socket outlet in your home or is removed for any other reason, please follow the instructions below on how to wire a 13 amp 3 pin plug..

How to wire a 13 amp plug.

Important



The wires in the mains lead on this appliance are coloured in accordance with the following code:

Green and Yellow – Earth

Blue – Neutral

Brown – Live

As the colours may not correspond with the markings identifying the terminals in your plug proceed as follows.

The green and yellow wire must be connected to the terminal in the plug which is marked with the letter E or with the earth symbol \perp or coloured green and yellow.

The blue wire must be connected to the terminal marked N.

The brown wire must be connected to the terminal marked L.

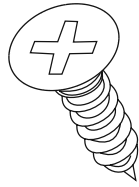
You must make sure the lead is firmly secured under the cord clamp.

INSTALLATION

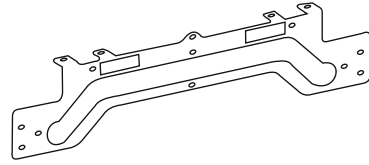
Customer Helpline: 0345 257 7271

Installation kit contents

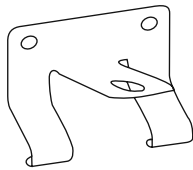
Please check you have all of the parts listed below



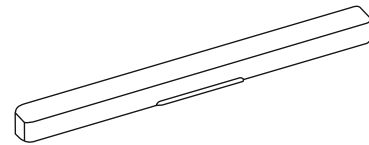
A. Wood screw x17



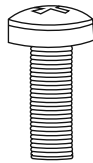
B. Door hang



C. Door Bottom Fixings x2



D. Hang cover

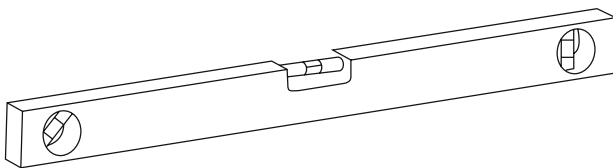


E. Screw

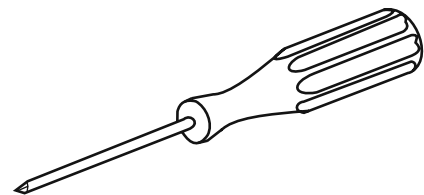


F. Top bracket

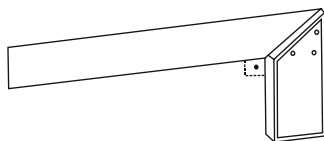
Tools required



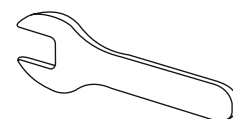
Spirit level



Screwdriver



Setsquare



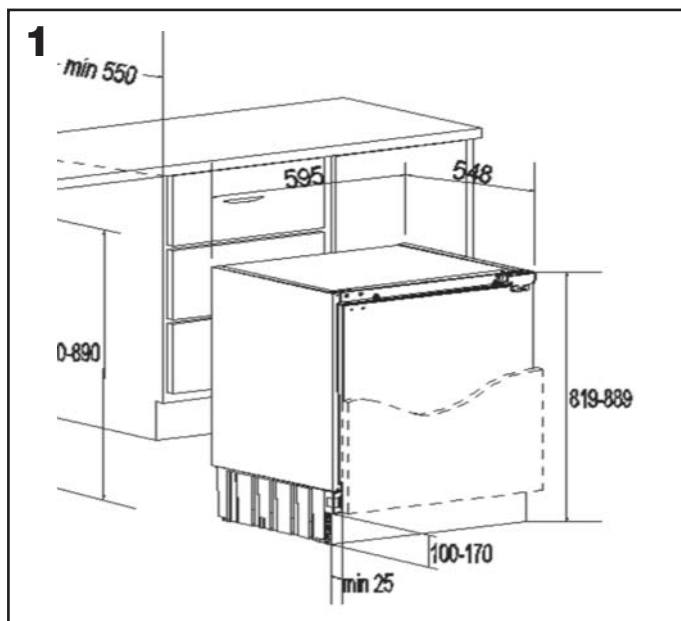
Wrench

Dimensions for installation



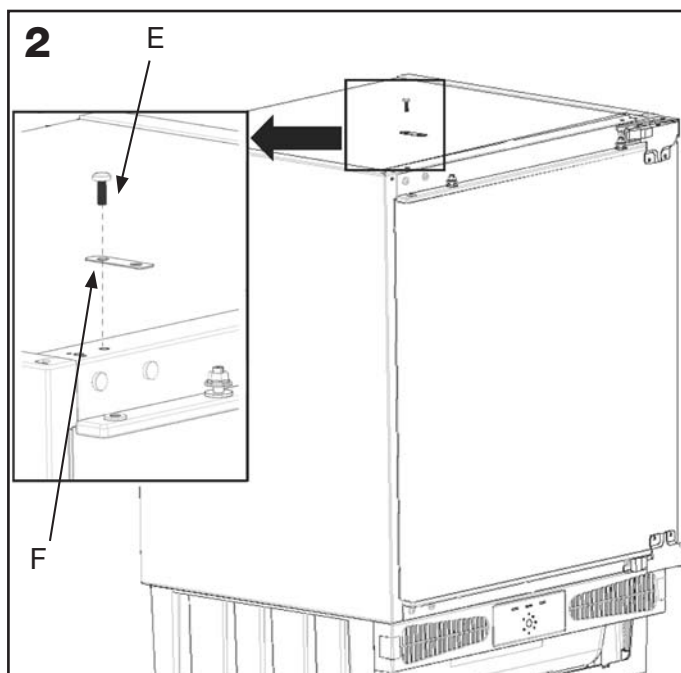
Caution: 2 people are required to unpack and handle the larder. It is recommended that gloves are worn.

- a: Carefully remove all packaging materials and dispose of correctly.
- b: Make sure that the space available for the larder is large enough as per the dimensions (1).



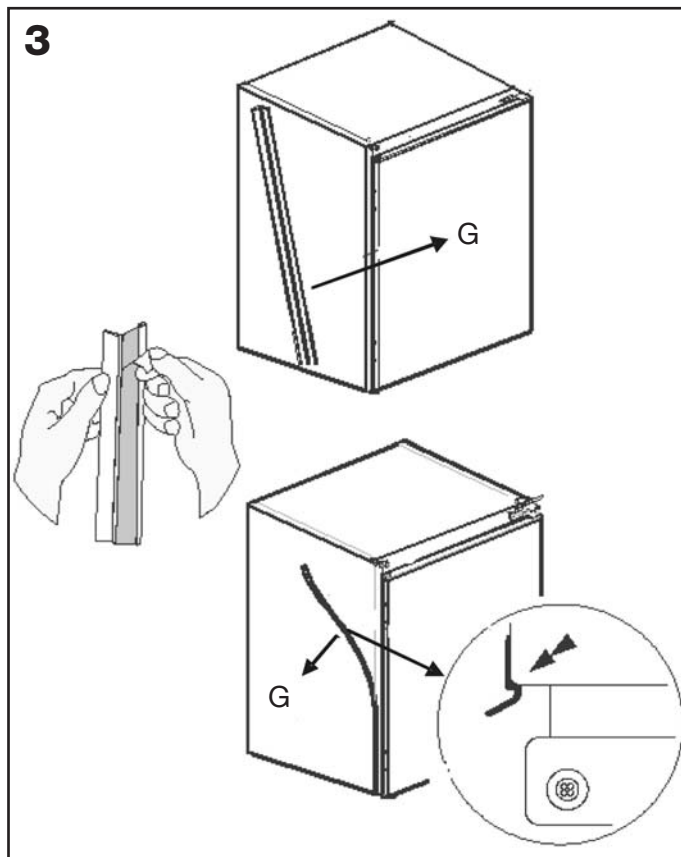
Installing top bracket

- a: Remove the screw (E) on top of the larder, place the top bracket (F) in position and fix with the screw (E).



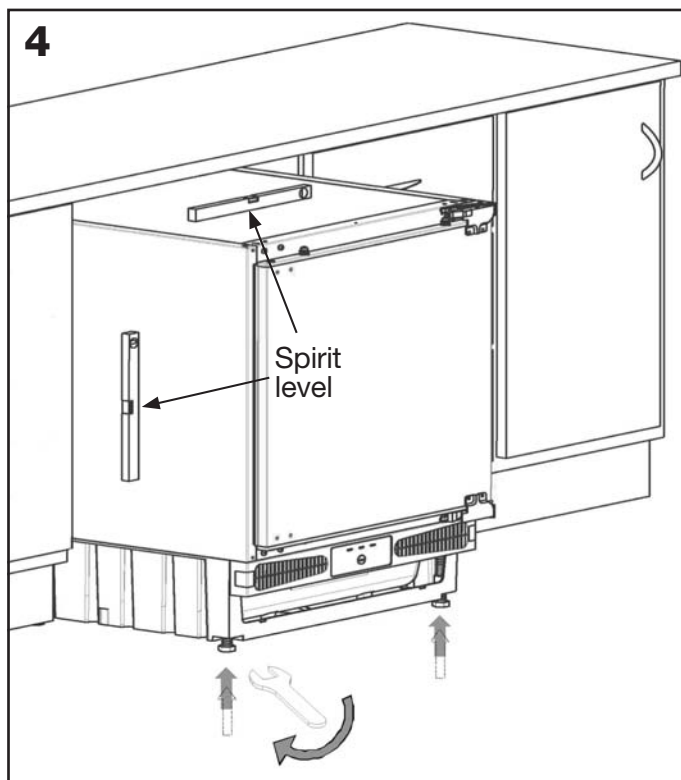
Fitting the door gasket

- a:** Take out the gasket (**G**) located on the side panel, and remove the protective tape.
- b:** Stick the gasket (**G**) on the larder side panel, on the opposite side to the door hinges, as shown (**3**).



Height adjustment

- a:** If necessary, the height of the larder can be adjusted, by loosening the locking nuts on the adjustable feet and screwing the feet in or out to the desired height. A wrench may be required to undo the locking nuts.
- b:** When the desired height is reached, re-tighten the locking nuts using the wrench to lock the adjustable feet in position.

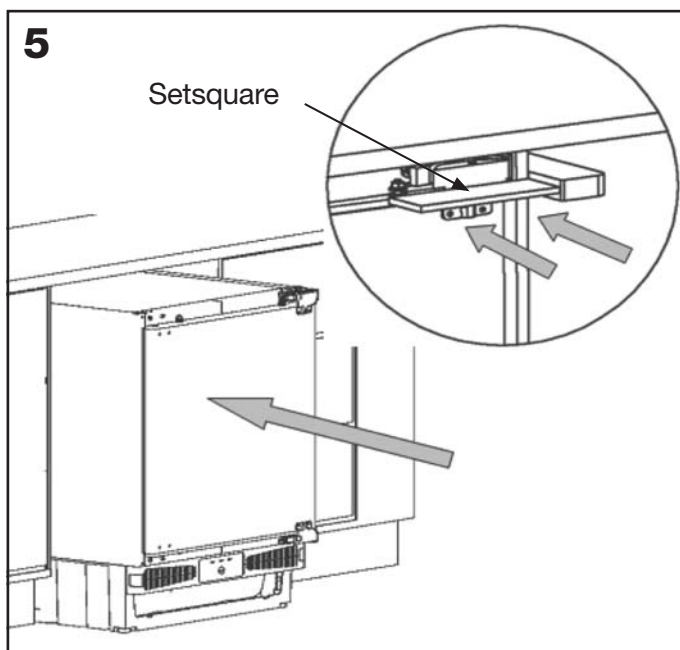


Position the larder



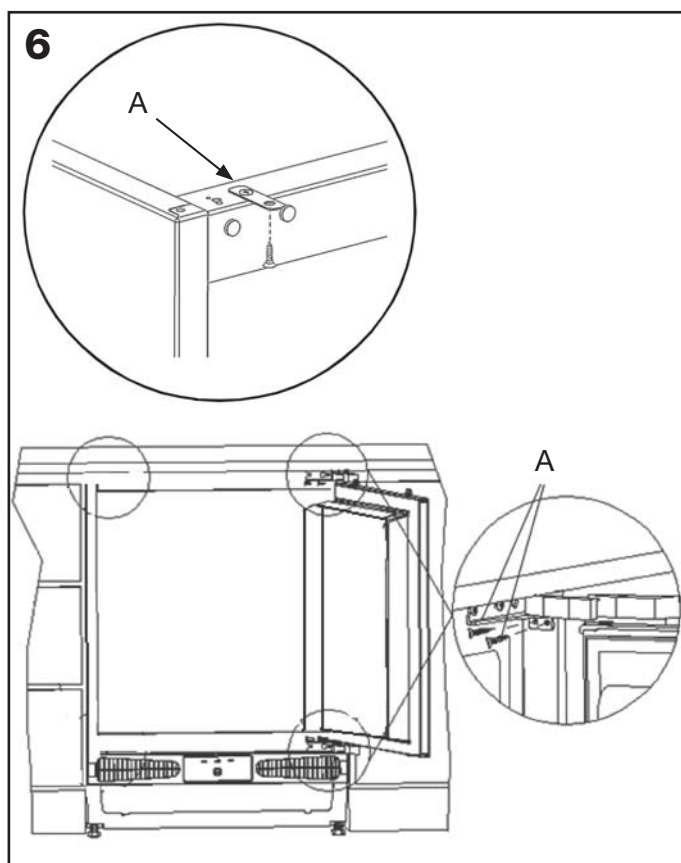
Caution: The larder may require 2 people to handle it when pushing it into position.

- a: Check behind the larder to make sure there are no tools or obstructions that may cause damage.
- b: Carefully slide the larder into position until the hinge surface is aligned with the front surface of the kitchen unit.
- c: Check that the larder is square using the setsquare.



Securing the larder

- a: Secure the larder to the kitchen units using screws (A), through the top bracket (F) and through both the upper and lower door hinges as shown (6).



Fitting the cabinet door

a: Unscrew and remove the nuts and washers from the appliance door.

b: Place door hang on the appliance door by inserting the holes to adjustment bolts.

c: Dimensions

B= Measure from the underside surface of kitchen unit to the bottom of door hang.
Dimension

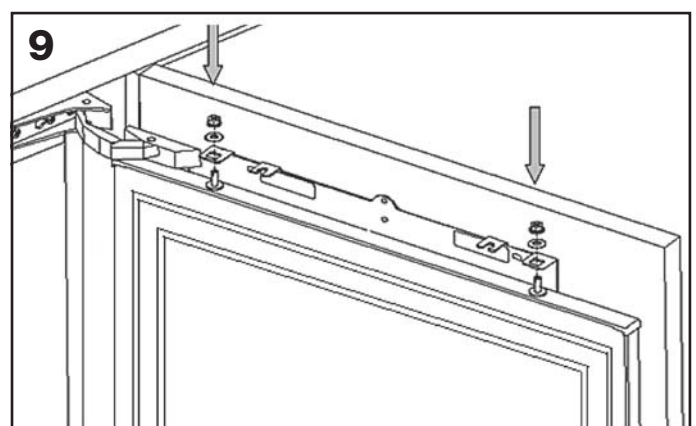
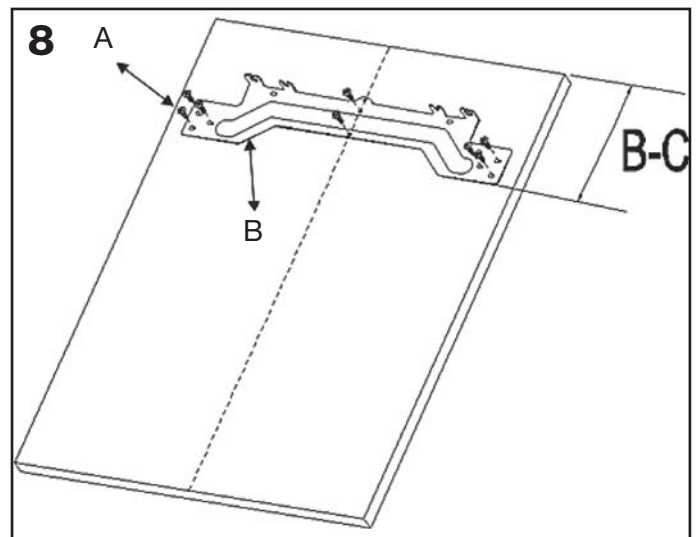
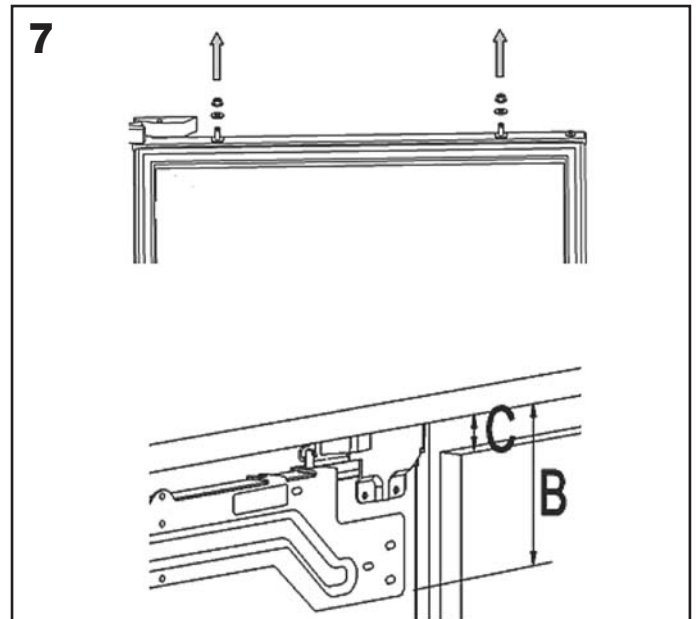
C= Measure from the underside surface of kitchen unit to the top of next unit door.

d: Subtract C from B and place door hang (**B**) using this dimension for vertical position and place to the centre for horizontal position.

e: Screw the door hang (**B**) using screws (**A**).

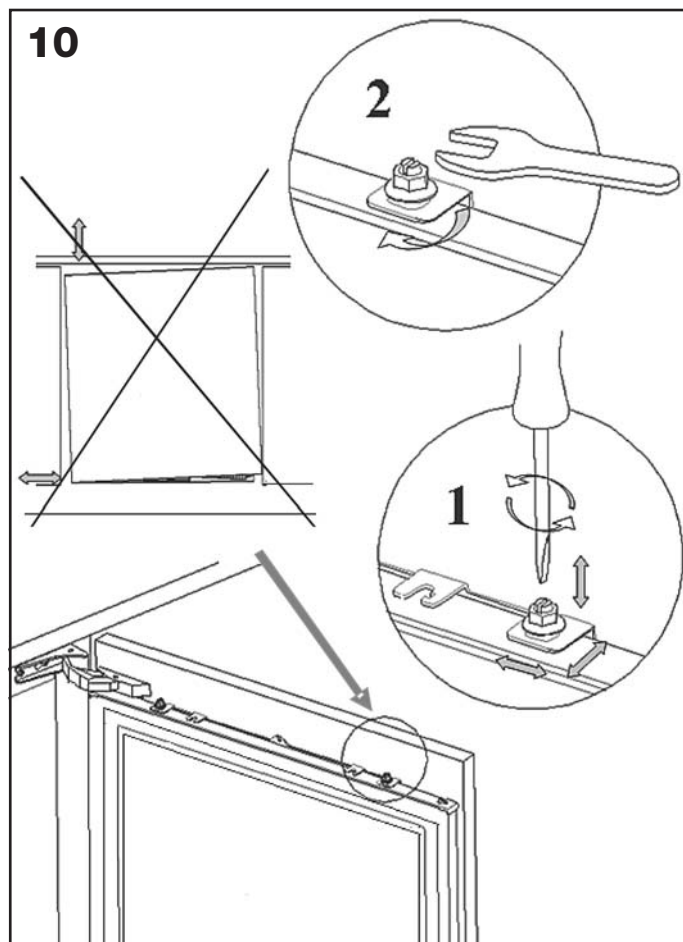
f: Place the cabinet door onto the appliance door by inserting adjustment bolts into the slots on the door hang.

g: Place the washers and screw the nuts onto the adjustment bolts.

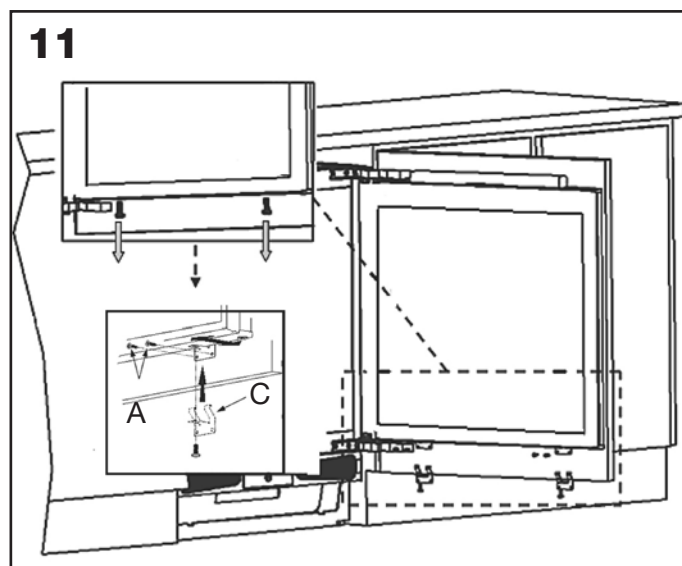


Continued on next page

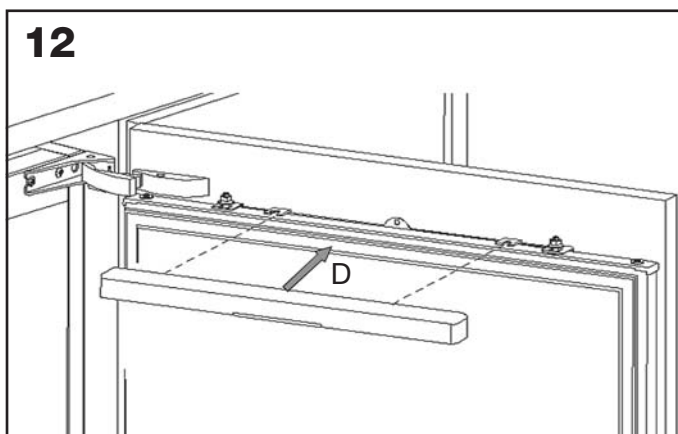
- h:** Close the door and check the alignment with the other cabinet doors.
- i:** Make the adjustment of the unit door by screwing or unscrewing the adjustment bolts for vertical adjustment and by the help of the slots on the door hang for other directions.
- j:** Tighten the nuts to fix the bracket.



- k:** Remove the screws at the bottom of the appliance door.
- l:** Place the door bottom fixings (**C**) and screw the fixings to the appliance door and the cabinet door using screws (**A**).

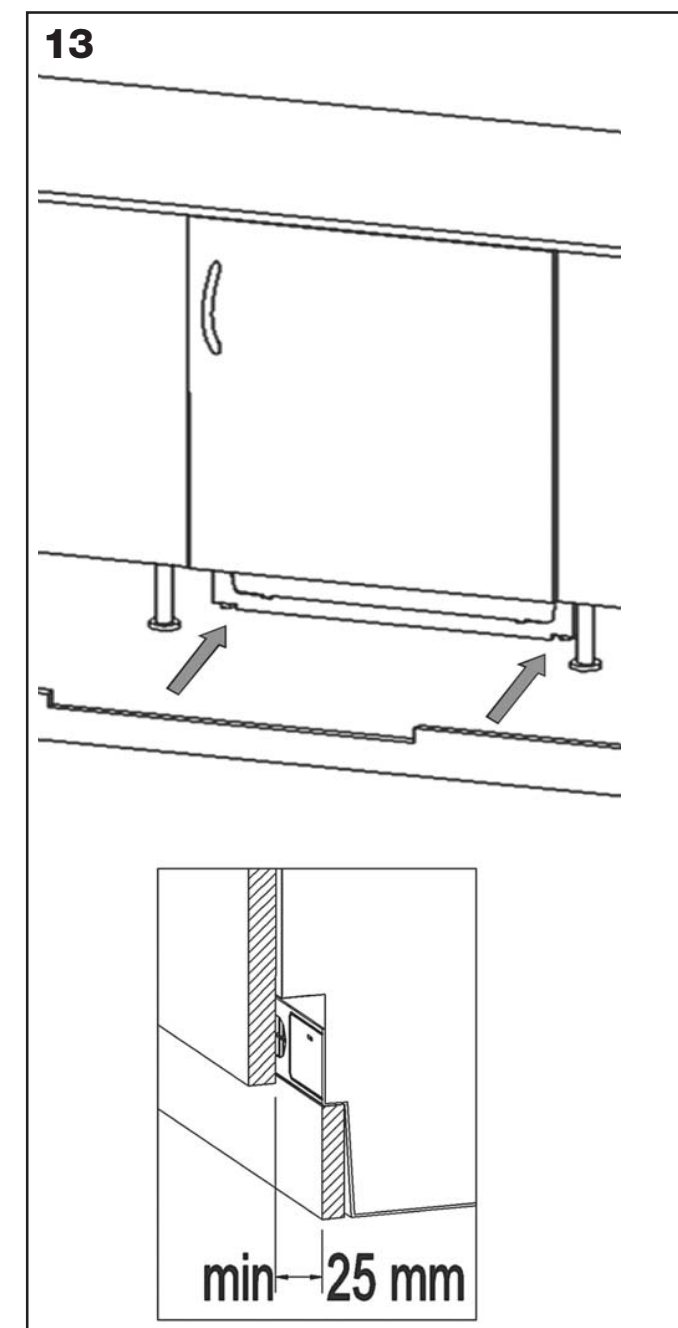


m: Slide the hang cover (D) onto the door hang (B).



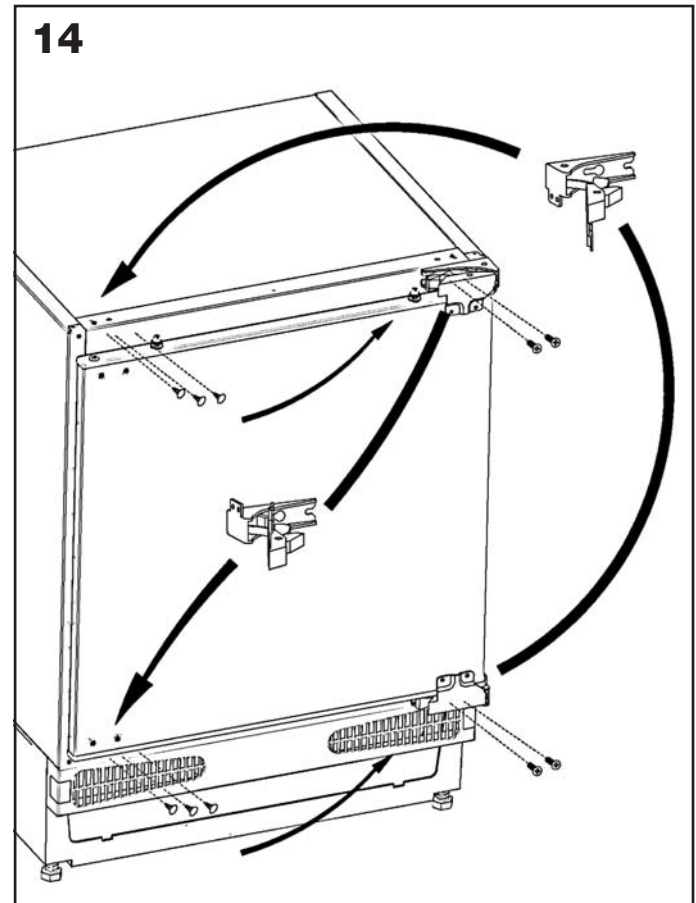
Installing the plinth

a: Position the plinth providing minimum 25 mm gap between the cabinet door and fix it.

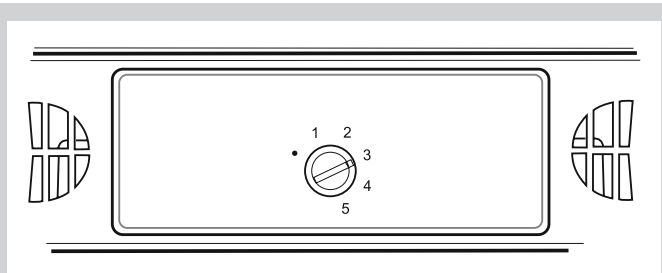


Reversing the door

- a:** Unscrew the screws on the front surface of the appliance door. Take the appliance door to a safe place.
- b:** Move the hole plugs on the appliance door's front surface, to the holes on the reverse side.
- c:** Open the door upper hinge and door lower hinge, disassemble them.
- d:** Move the hole plugs to opposite side.
- e:** Assemble the door upper hinge and door lower hinge to the opposite corners of their original position.
- f:** Assemble the appliance door.



Thermostat settings



The thermostat automatically regulates the inside temperature of the larder. By rotating the knob from positions 1 to 5, colder temperatures can be obtained.

Important note: Do not try to rotate knob beyond 1 position it will stop your appliance

- For the short-term storage of food, set the larder knob between the minimum and medium position (1-3).
- For the long-term storage of food, set the larder knob to the medium position (3-4).
- Note that the ambient temperature (temperature of the freshly stored food and how often the door is opened) affects the temperature in the larder if required, change the temperature setting.
- When you first switch on the appliance, you should ideally run it without any food for 24 hours and not open the door. If you need to use it straight away, try not to put too much food inside.
- If the unit is switched off or unplugged, you must allow at least 5 minutes before restarting to avoid damaging the compressor.

Warnings for temperature settings

- The ambient temperature, temperature of the freshly stored food and how often the door is opened, affects the temperature in the fridge. If required, change the temperature setting.
- It is not recommended that you operate your fridge in environments colder than 10 °C in terms of its efficiency.
- The thermostat setting should be done by taking into consideration how often the fresh food door is opened and closed, how much food is stored in the fridge, and the environment in which the fridge is located.
- Your fridge should be operated up to 24 hours according to the ambient temperature without interruption after being plugged in to be completely cooled. Do not open doors of your fridge frequently and do not place much food inside it in this period.
- A 5 minute delaying function is applied to prevent damage to the compressor of your fridge, when you take the plug off and then plug it on again to operate it or when an energy breakdown occurs. Your fridge will start to operate normally after 5 minutes.
- Your fridge is designed to operate in the ambient temperature intervals stated in the standards, according to the climate class stated in the information label. It is not recommended that your fridge is operated in the environments which are out of the stated temperature intervals in terms of cooling efficiency.

Climate Class	Ambient Temperature °C
T	Between 16 and 43 (°C)
ST	Between 16 and 38 (°C)
N	Between 16 and 32 (°C)
SN	Between 10 and 32 (°C)

- To reduce humidity and consequent increase of frost never place liquids in unsealed containers in the fridge. Frost tends to concentrate in the coldest parts of the evaporator and in time will require more frequent defrosting.
- Never place warm food in the fridge. Warm food should be allowed to cool at room temperature and should be arranged to ensure adequate air circulation in the fridge.
- Nothing should touch on the back wall as it will cause frost and the packages can stick on the back wall. Do not open the refrigerator door too frequently.
- Arrange the meat and cleaned fish(wrapped in packages or sheets of plastic) which you will use in 1-2 days, in the bottom section of the refrigerator (that is above the vegetable holder) as this is the coldest section and will ensure the best storing conditions.
- You can place fruit and vegetables unwrapped in the vegetable holder.

Replacing the light bulb

- Make sure you unplug the fridge before starting to clean it.
- Do not pour water directly over your appliance.
- You can wipe the inner and outer sides with a soft cloth or a sponge using warm soapy water.
- Remove parts individually and clean by hand with soapy water. Do not place in dishwashers.
- Never use flammable, explosive or corrosive material for cleaning your appliance
- You should clean the condenser periodically to keep your appliance running efficiently.

Make sure your appliance is unplugged before cleaning.

Defrosting

- Defrosting occurs automatically in the larder during operation. The defrost water is collected by the evaporating compartment and evaporates automatically.
- The defrost water drain hole should be cleaned periodically along with the defrost drain plug to prevent water from collecting on the bottom of the larder instead of flowing out.
- You can also pour glass of water into the drain hole to clean it inside.

When replacing the bulb of the larder:

1. Unplug the unit from the power supply.
2. Press the hook in front of the light cover to remove it (see Figure 1 and Figure 2).
3. Replace the light bulb with a new one; maximum power 15w.
4. Replace the light cover then wait 5 minutes before inserting plug back into the power supply.

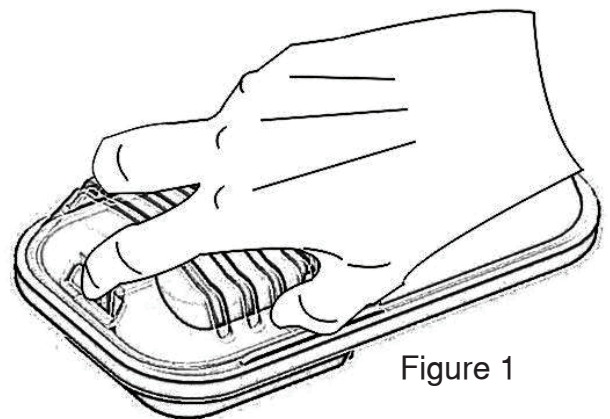


Figure 1

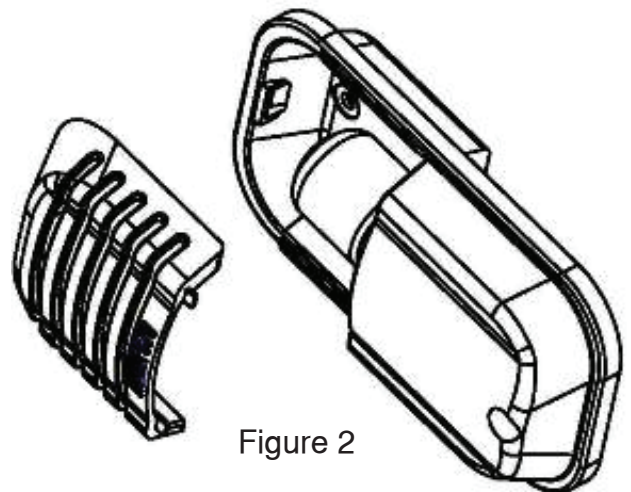


Figure 2

Replacing The Light Led (If the illumination is occurred via LED strip)

Please call the service helpline

- Original package and foam may be kept for re-transportation (optionally).
- You should fasten your fridge with thick package, bands or strong cords and follow the instructions for transportation on the package for re-transportation.
- Remove movable parts (shelves, accessories, vegetable bins etc.) or fix them into the fridge against shocks using bands during re-positioning and transportation.

Carry your fridge in the upright position.

BEFORE CALLING YOUR AFTER SALES SERVICE

Customer Helpline: 0345 257 7271

If your appliance is not working correctly, before calling the service helpline check the following:

What to do if your refrigerator does not operate ;

Check that ;

- Is there power to the appliance?
- Check your fuse box to see if it has tripped out.
- The thermostat setting is on « • » position ,
- Check the power socket is working by plugging in another appliance.

What to do if your refrigerator performs poorly ;

Check that ;

- You have not overloaded the appliance ,
- The doors are closed correctly ,
- There is no dust on the condenser ,

If there is noise ;

The cooling gas which circulates in the refrigerator circuit may make a slight noise(bubbling sound) even when the compressor is not running. Do not worry this is quite normal. If these sounds are different check that ;

- The appliance is well level
- Are the shelves or the plates on the shelves of your appliance vibrating? If so rearrange the shelves accordingly.

If there is water in the lower part of the refrigerator ;

Check that ;

The drain hole for defrost water is not clogged(Use defrost drain plug to clean the drain hole)

Recommendations

- In order to increase space and improve the efficiency, the « cooling section » of this appliance is positioned inside the back wall of the refrigerator compartment. When the appliance is running, this wall is covered with frost or water drops. Do not worry. This is quite normal. The appliance should be defrosted only if an excessively thick layer forms on the wall.

- If the appliance is not used for a long time (for example during the summer holidays)defrost and clean the refrigerator leaving the door open to odours developing.

Tips for saving energy

1– Install the appliance in a cool, well ventilated room, but not in direct sunlight or near heat sources (radiators, cooker, etc...).

2– Allow warm food and drinks to cool down before placing in the appliance.

3– When placing liquids in the appliance they must be covered.

4– When placing food and drinks, open the appliance door as briefly as possible.

5– Door seals should be kept clean and undamaged.

TECHNICAL SPECIFICATIONS

Customer Helpline: 0345 257 7271

Supplier's name or trade mark	BUSH
Model / Item	BUCL6082
Type of appliance	BGSN1700DOD
The energy efficiency class	A+
Voltage	220-240V / 50 Hz
Power	74 W
Energy consumption	0,316 kWh/24h - 115 kWh/year
Net storage volume of fresh food	133 lt.
Net storage volume of frozen food	- lt.
Star rating of frozen food storage compartment	-
Power cut failure safe storage (-18°C to -9°C)	-
Freezing capacity	- Kg
Climate class	SN (10°C - 32°C)
Size (mm) (W x D x H)	595 x 548 x 818
Noise	44 dB (A)

We apologise for any inconvenience caused by minor change or inconsistencies in these instructions that may occur as a result of product improvements and development.

Conformity Information

- This equipment is designed for use at an ambient temperature within the 10 °C - 32 °C range.
- The appliance is designed in compliance with the IEC60335-1 / IEC60335-2-24, 2004/108/ EC standards.





Product Guarantee

This product is guaranteed against manufacturing defects for a period of



This product is guaranteed for twelve months from the date of original purchase. Any defect that arises due to faulty materials or workmanship will either be replaced, refunded or repaired free of charge where possible during this period by the dealer from whom you purchased the unit.

The guarantee is subject to the following provisions:

- The guarantee does not cover accidental damage, misuse, cabinet parts, knobs or consumable items.
- The product must be correctly installed and operated in accordance with the instructions contained in this manual.
- It must be used solely for domestic purpose.
- The guarantee will be rendered invalid if the product is re-sold or has been damaged by inexpert repair.
- Specifications are subject to change without notice.
- The manufacturer disclaims any liability for the incidental or consequential damages.
- The guarantee is in addition to, and does not diminish your statutory or legal rights.
- In the event of a problem with the product with in the guarantee period call the Customer Helpline: **0345 257 7271**

Guarantor: Argos Ltd
489 - 499 Avebury Boulevard
Central Milton Keynes
MK9 2NW

