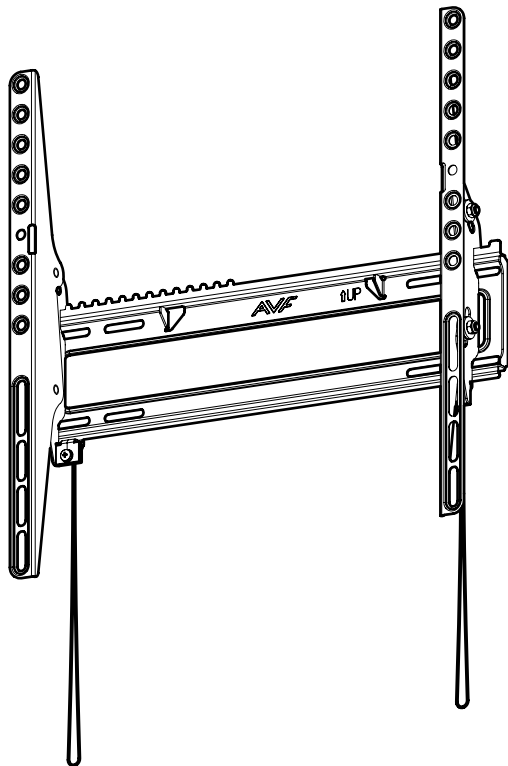


www.avfgroup.com



468344 rev00



30kg
66lbs



Read through ALL instructions before commencing installation.

Please don't return me to the store

If you are unsure or need advice
please contact our **UK-based support team:**

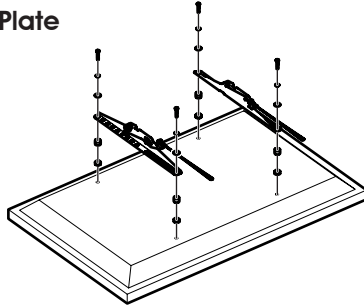


0333 320 0463 | avfgroup.com

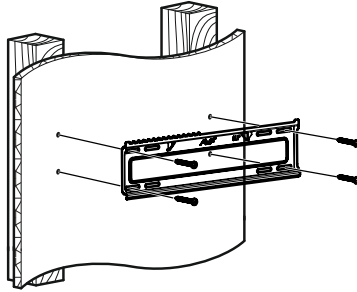
Phone lines open Mon-Fri during AVF office hours

Assembly Overview

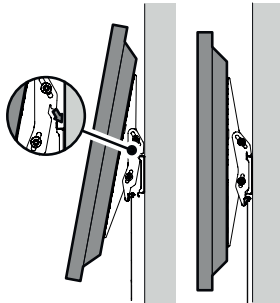
Fit the TV Mounting Plate



Fit the Wall Bracket



Connect the TV



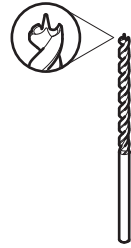
Tools Recommended



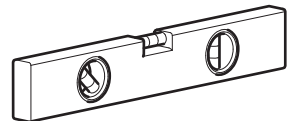
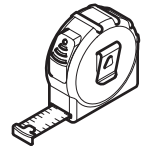
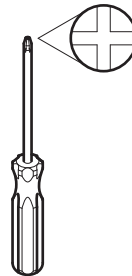
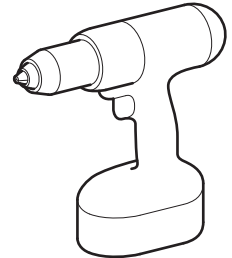
Stud Finder



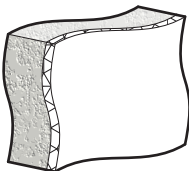
Ø8mm (5/16")
Masonry



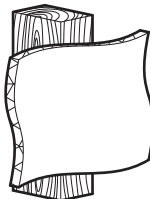
Ø3mm (1/8")
Wood



Suitable Wall Types



Solid Wall



Wood Stud

Index

1 Measure the TV fixing holes Width and Height

2 Fitting the TV Brackets

3 Fitting the Wall Bracket

4 Connecting the TV

5 To Remove the TV

Retain all packaging in case the bracket needs to be returned.

Contents may vary from photography/illustrations.

You will not need all these parts, so expect there to be some left over depending upon the specification of your TV.

This product is intended for indoor use only. Use of this product outdoors could lead to failure and personal injury.

It is the responsibility of the installer to ensure that the mounting wall is of a suitable standard and void of any services (eg gas, electricity, water etc).

AVF accept no responsibility for any damage or loss caused by installing this product i a sub standard wall.



10 YEAR WARRANTY

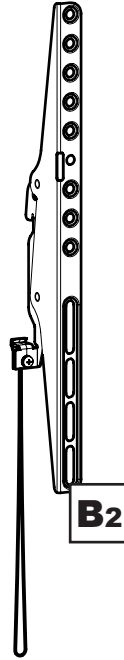
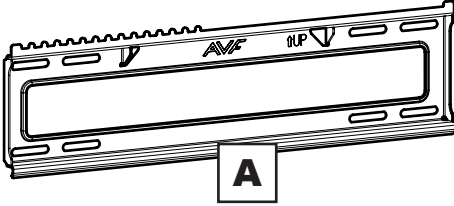
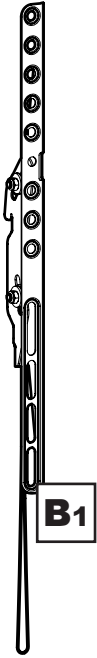


This product comes with a 10 Year Warranty.

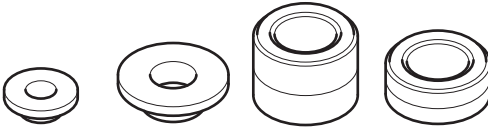
This will be honoured as long as the product is owned by the original consumer purchaser. Proof of purchase is required.

For detailed warranty information please visit: www.avfgroup.com/warranties

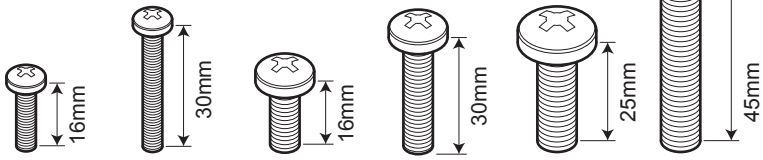
Boxed Parts



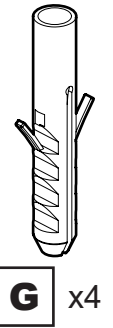
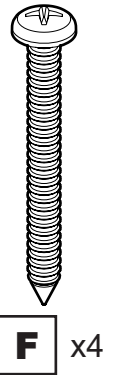
TV Screws, Reducers and Spacers

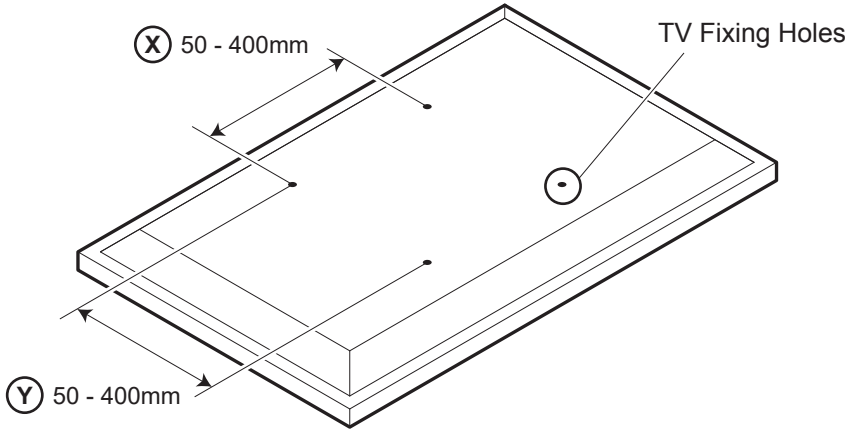


C1 x4 **C2** x4 **D1** x4 **D2** x4



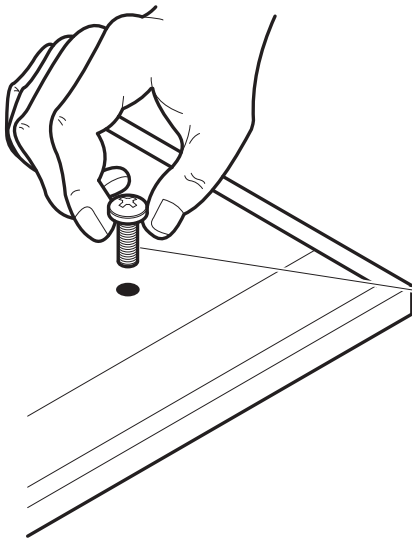
E1 x4 **E2** x4 **E3** x4 **E4** x4 **E5** x4 **E6** x4



1**Measure the TV fixing holes Width and Height**

If width **X** is greater than 400 mm or height **Y** greater than 400mm
STOP installation now and contact the customer help line.

You are provided with 3 diameters of TV fixing screws, **M4**, **M6** and **M8**.
Determine the screw diameter that fits and remember for step 2.



M4 =	E1/E2
-------------	--------------

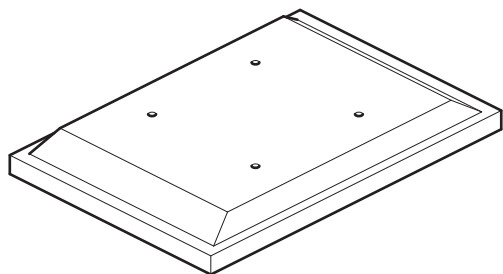
M6 =	E3/E4
-------------	--------------

M8 =	E5/E6
-------------	--------------

2 Fitting the TV Brackets

No Spacers

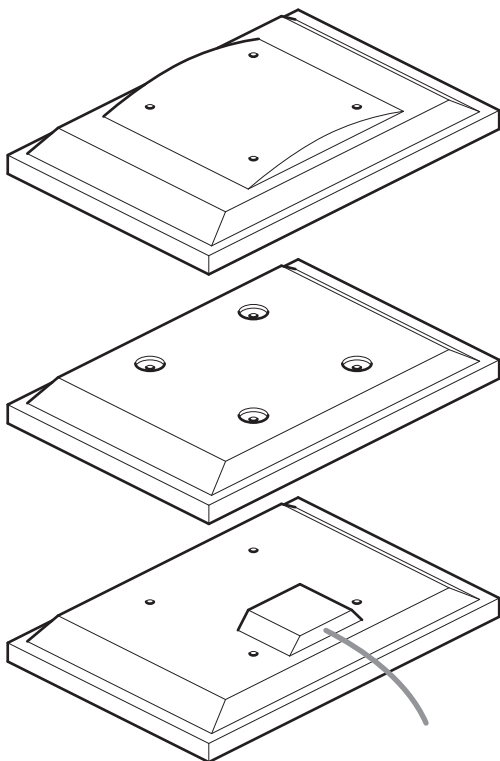
For TVs with flat / unobstructed back.



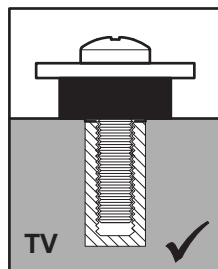
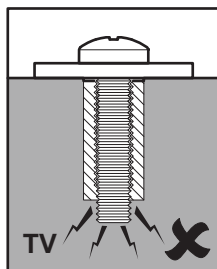
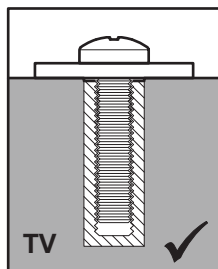
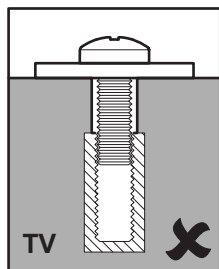
Spacers

D1/D2

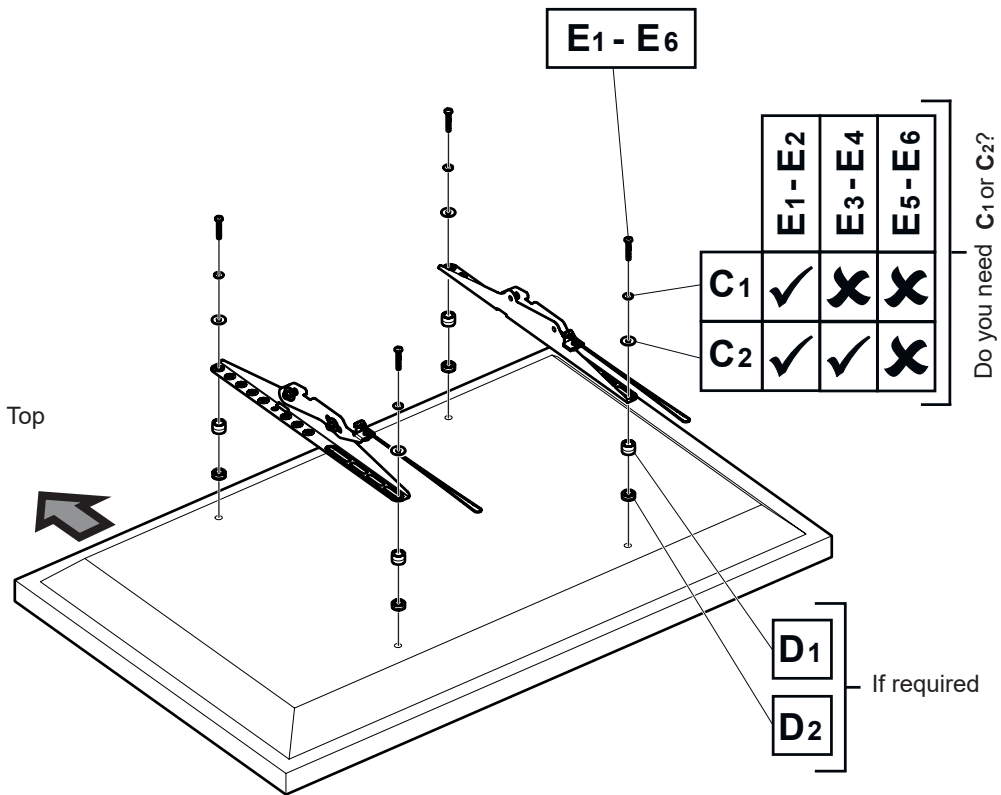
For TVs with irregular / obstructed back.



WARNING



After completing step 2 you will have fittings left over, please keep for future reference.

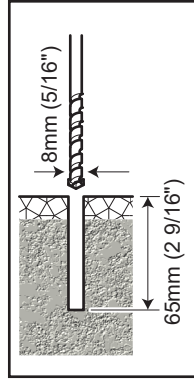
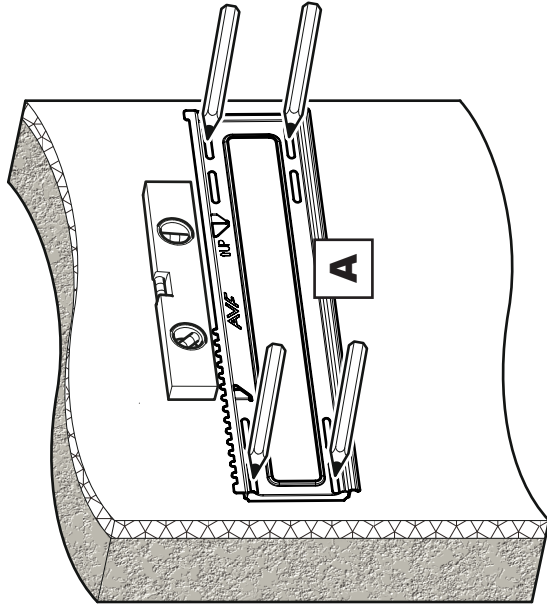


Attach the bracket to the back of your TV using suitable screw, reducer and spacer combinations.

3

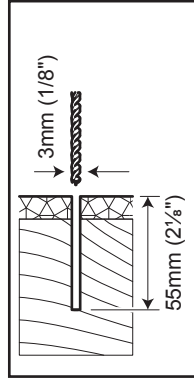
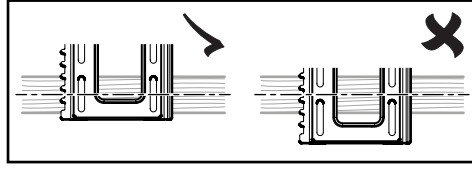
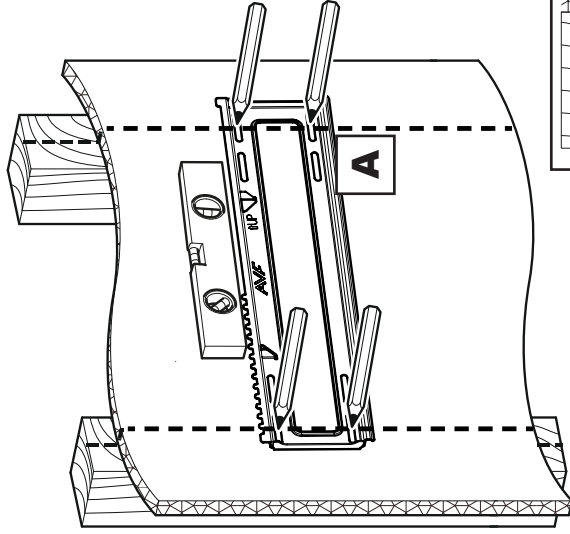
Fitting the Wall Bracket

Solid Wall



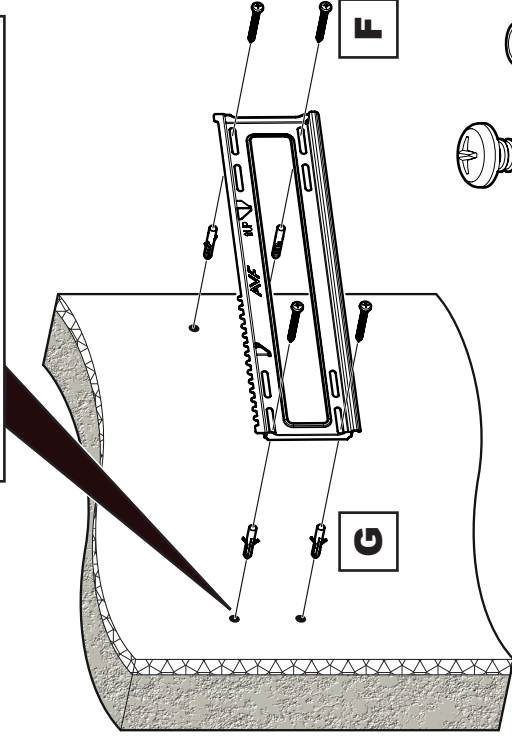
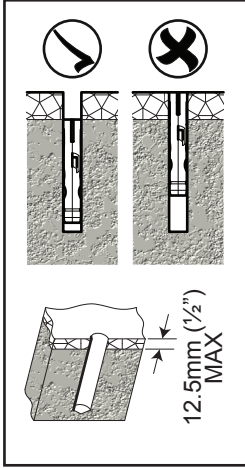
Remove Dust from Hole.

Wood Stud



Ensure drill marks are in the centre of the wood stud.

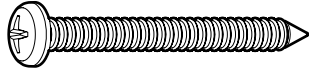




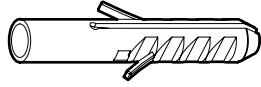
Lubricate screw thread with soap.



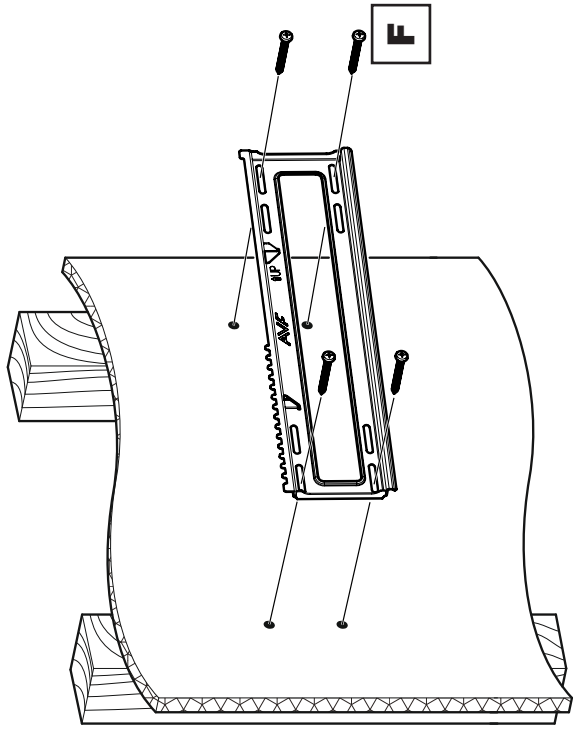
DO NOT overtighten screws.
Tighten screws by hand only.



F x4



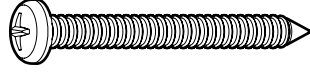
G x4



Lubricate screw thread with soap.



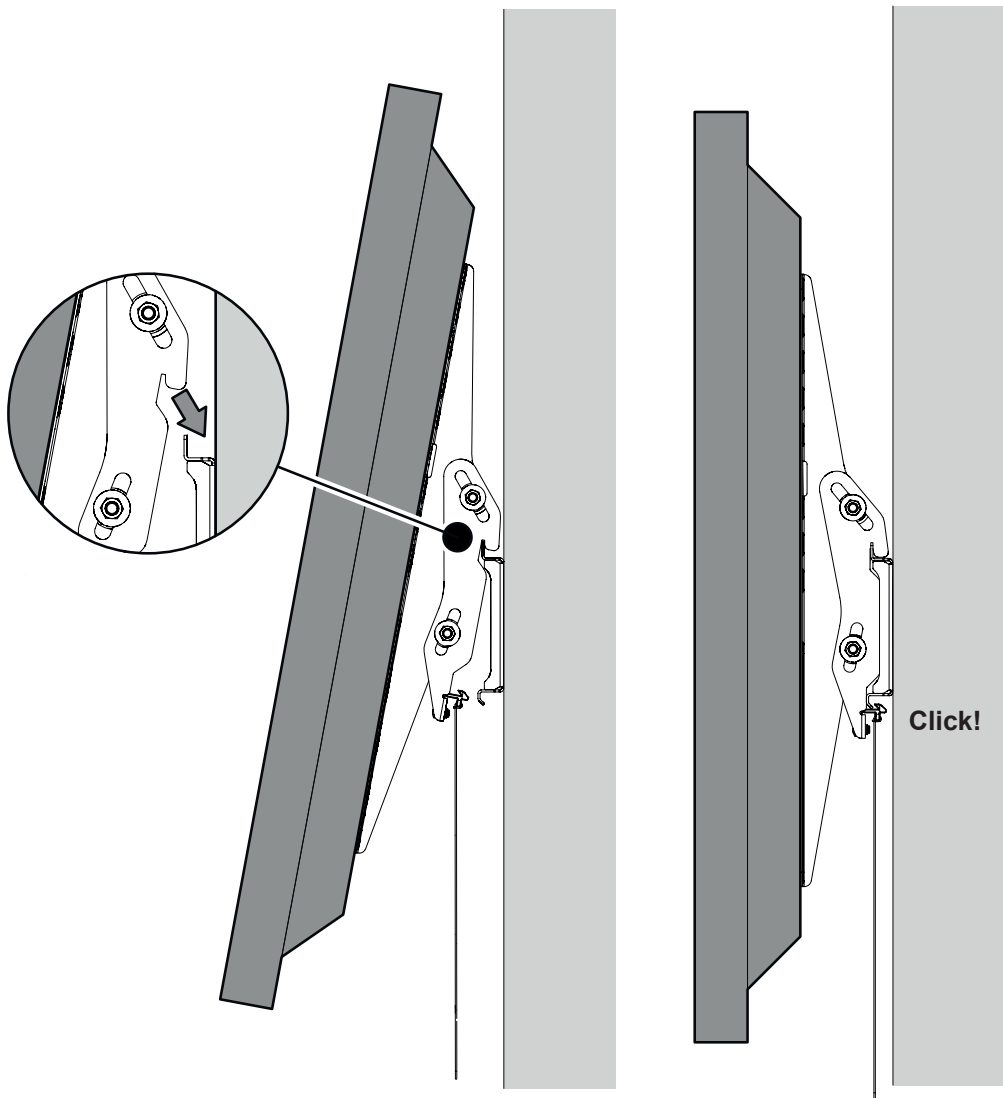
DO NOT overtighten screws.
Tighten screws by hand only.



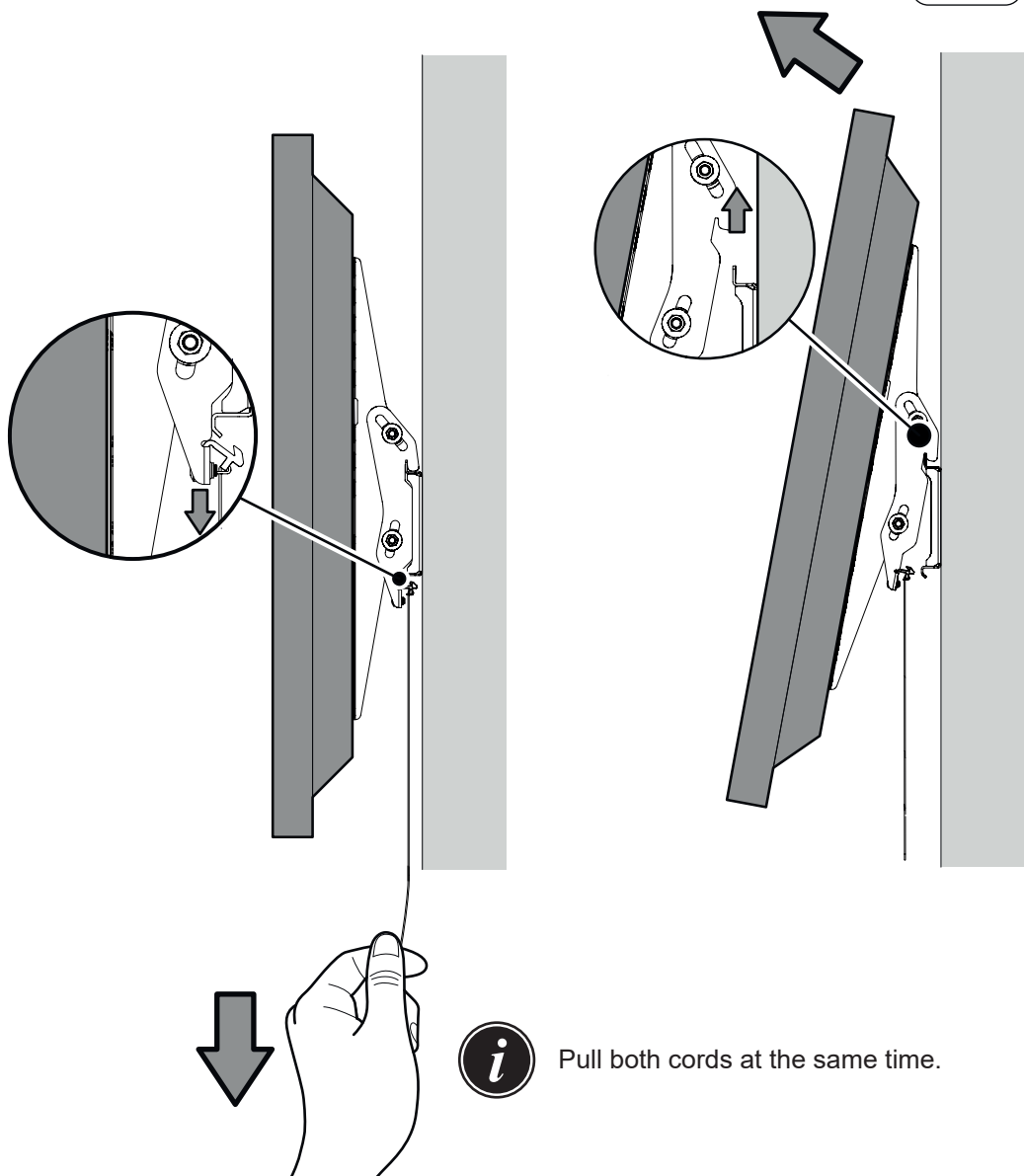
F x4

4

Connecting the TV



5 To Remove the TV



i Pull both cords at the same time.