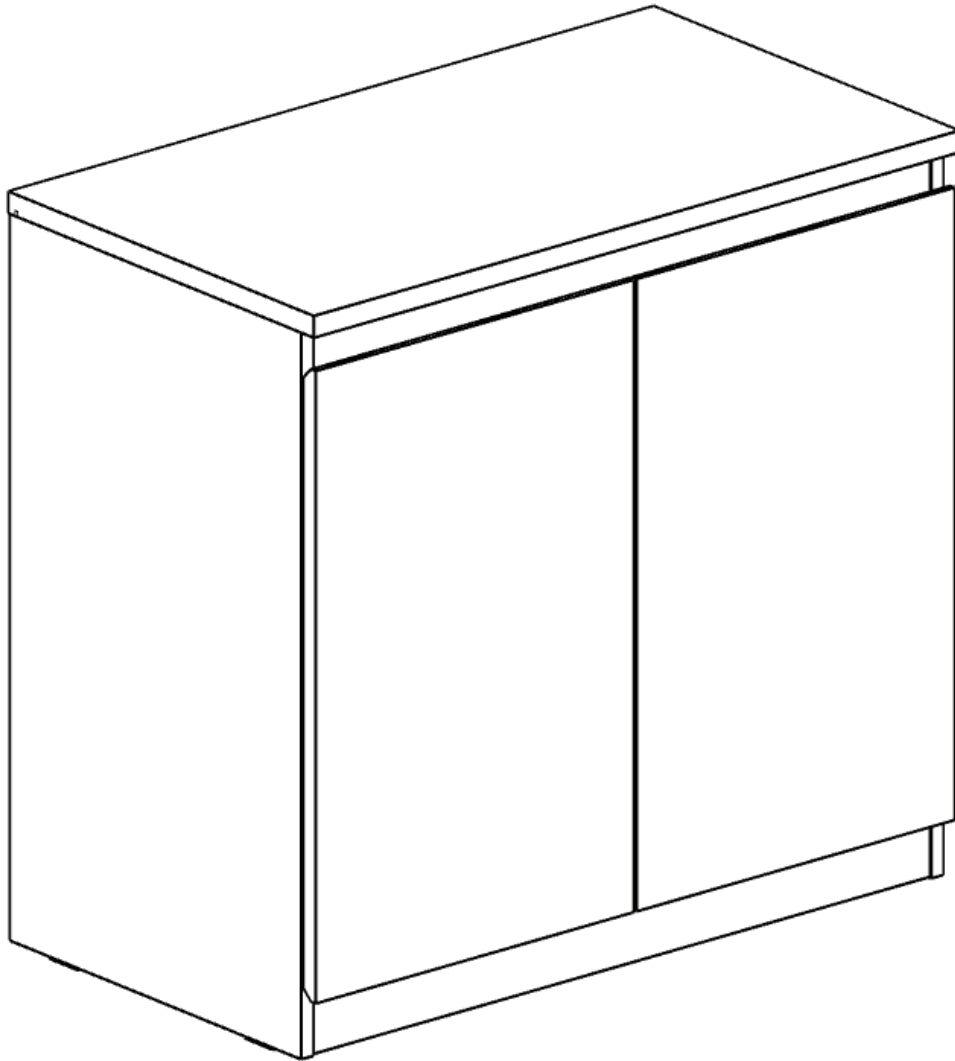


JENSON

Gloss

937/4610 940/4597



Spare Parts

Visit: www.argos-support.co.uk

Email: Help@ClickSpares.co.uk

Call: 0330 016 1114

Customer Support

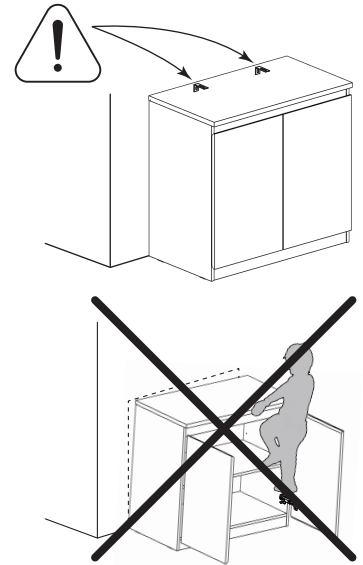
Call: 0345 640 2020

Safety

Important - Please read these instructions fully before starting assembly

- Warning: This unit weighs approximately 66kgs. Please lift with care.
- During assembly children should be kept away from the product due to possible risk of injury.
- Installation shall only be carried out exactly according to the manufacturer's instructions - otherwise a safety risk can occur if incorrectly installed.
- Do not use this item if any components are missing or damaged.

- **WARNING:** To prevent possible overbalancing this unit must be secured to a wall using the 2 overbalance protector kits supplied.
- A unit that is allowed to topple can cause serious or fatal injury. In addition to wall fixing the unit, place heavy items on the lower shelves, do not put any heavy objects on top of the unit and never allow children to climb or hang on drawers, doors or shelves.
- Refer to guide after section 27 for wall fixing information.



Care Advice

- Check you have all the components and tools listed on relevant pages.
- Remove all fittings from the specified plastic bag and separate them into their groups.
- Parts of the assembly will be easier with 2 people.
- Make sure you have enough space to layout the parts before starting.
- Do not stand or put weight on the product, this could cause damage.

- Assemble the item as close to its final position (in the same room) as possible.
- Assemble on a soft level surface to avoid damaging the unit or your floor (use opened out unit carton).



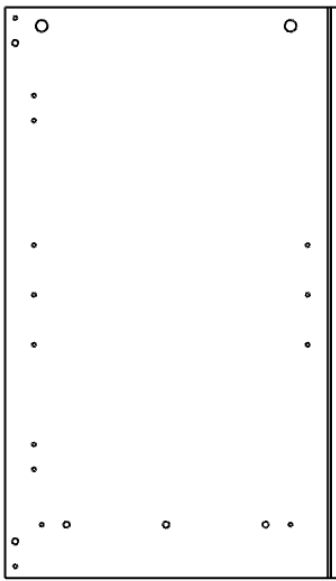
- Assembly videos are available throughout these instructions by scanning in the QR codes.



- We do not recommend the use of power drill/drivers for inserting screws, as this could damage the unit. Only use hand screwdrivers.
- Dispose of all packaging carefully and responsibly.
- Only clean with a damp cloth.

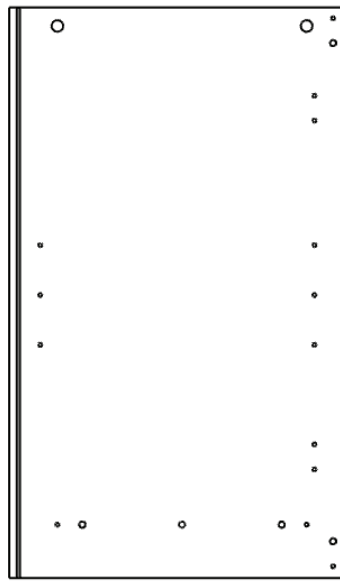
Cabinet Panels

Please do NOT remove any protective film until after assembly



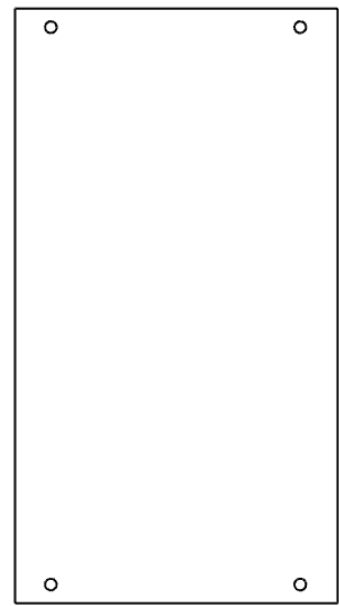
DF-00023252

1 73.3 x 42.9cm



DF-00023253

2 73.3 x 42.9cm



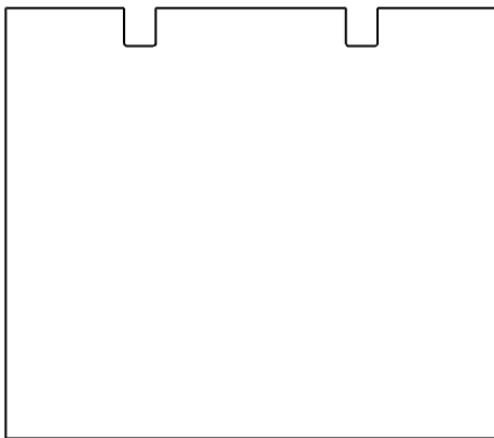
DF-00023248

3 76.4 x 41.4cm



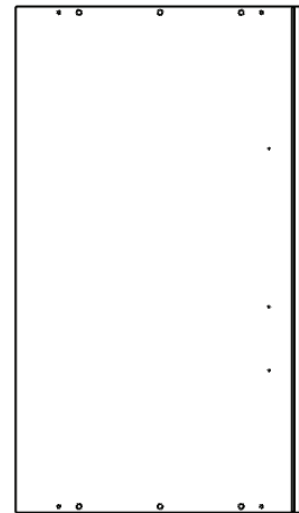
DF-00023255

4 76.4 x 6cm X 2



XDF-00022863

5 67.7 x 77.4cm



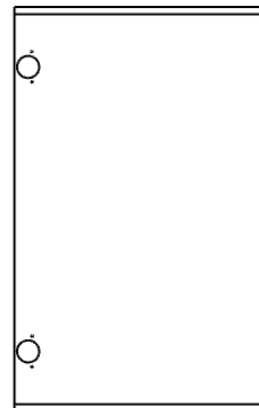
DF-00013263

6 79.8 x 45cm



DF-00021905

7 76.4 x 41.3cm

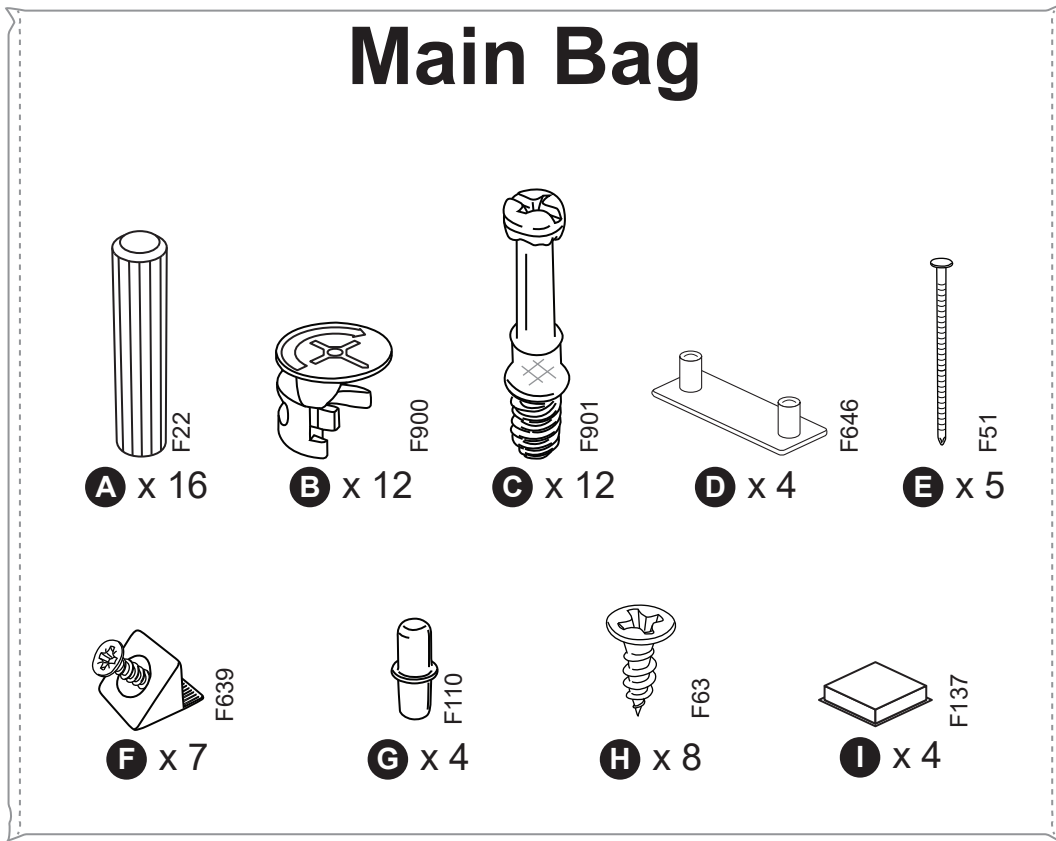


DF-00023249

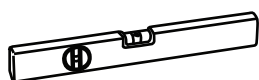
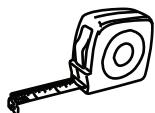
8 63.7 x 39.3cm

Fittings

Use these drawings to correctly identify the fittings

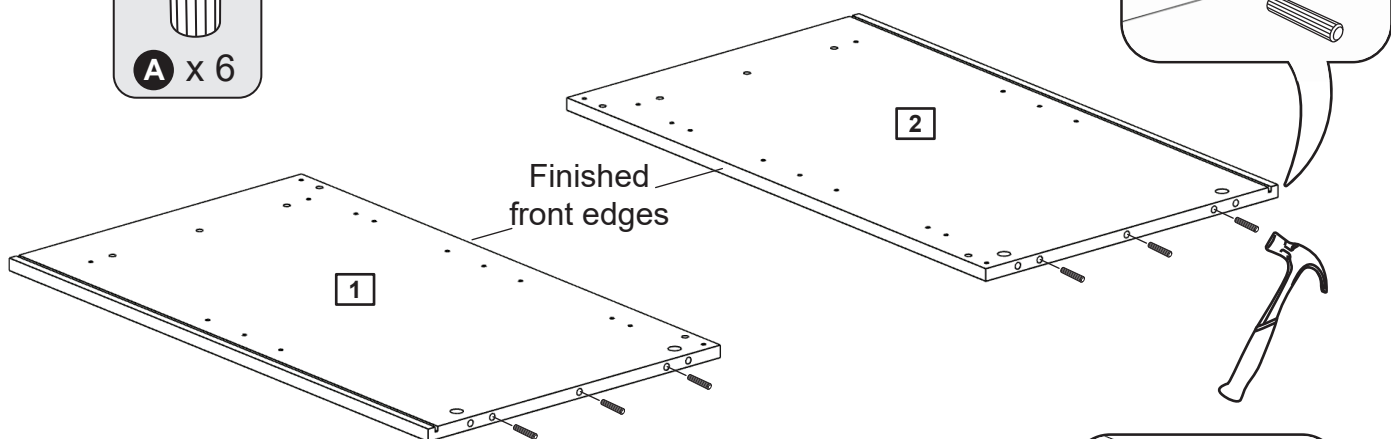
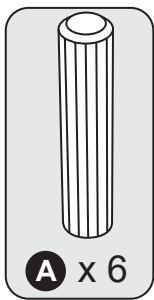


Tools

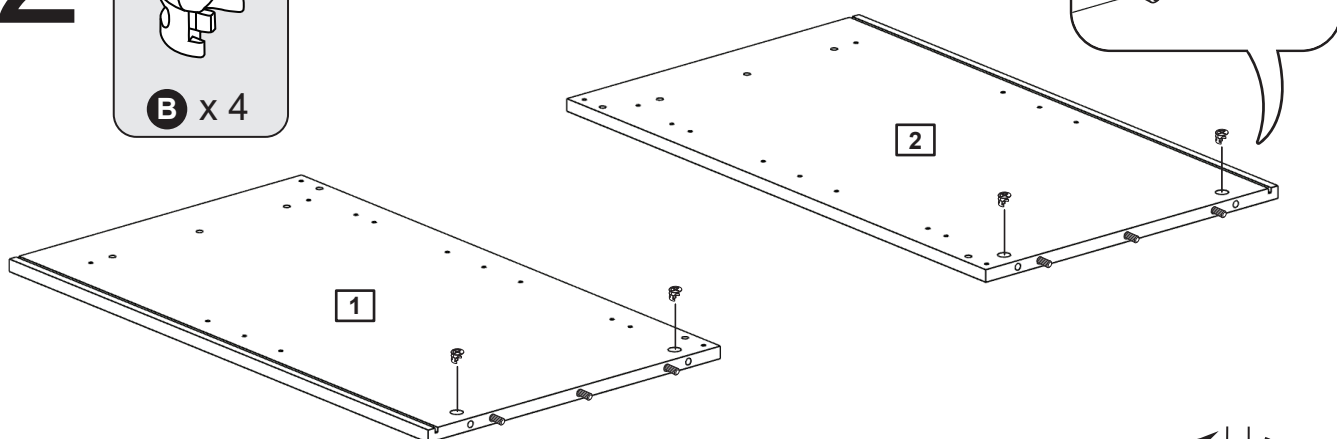


Only used for drilling walls

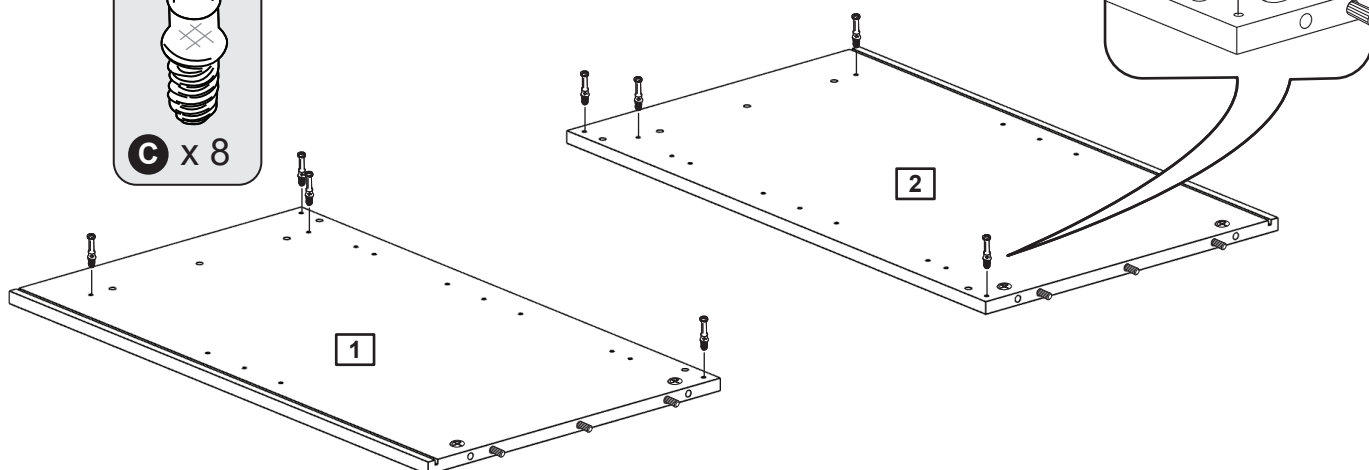
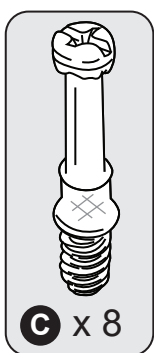
1



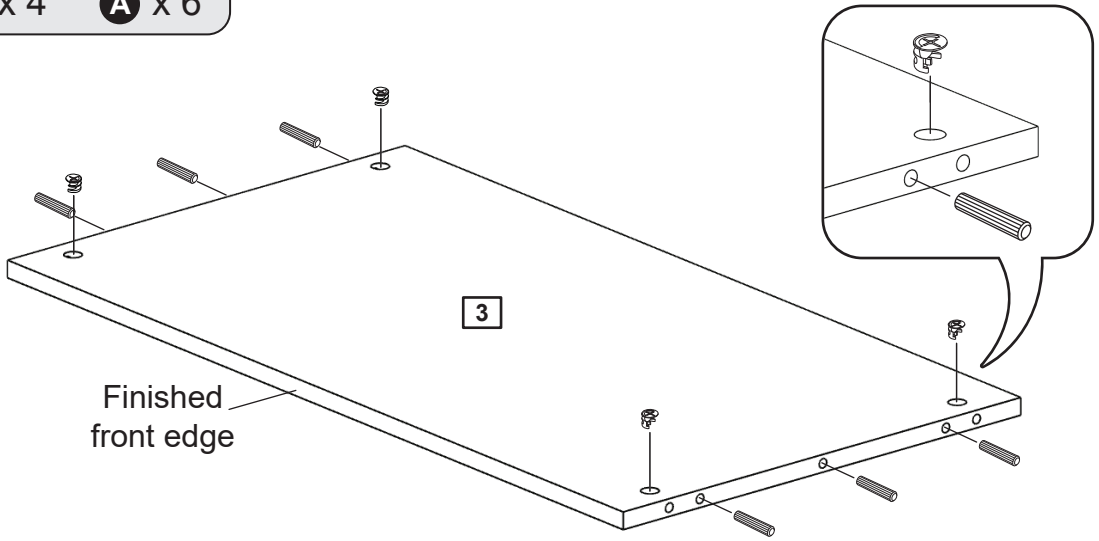
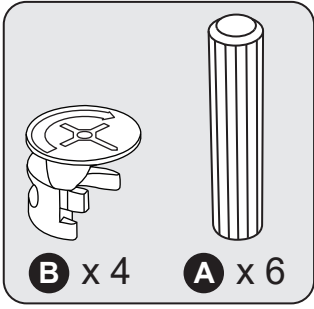
2



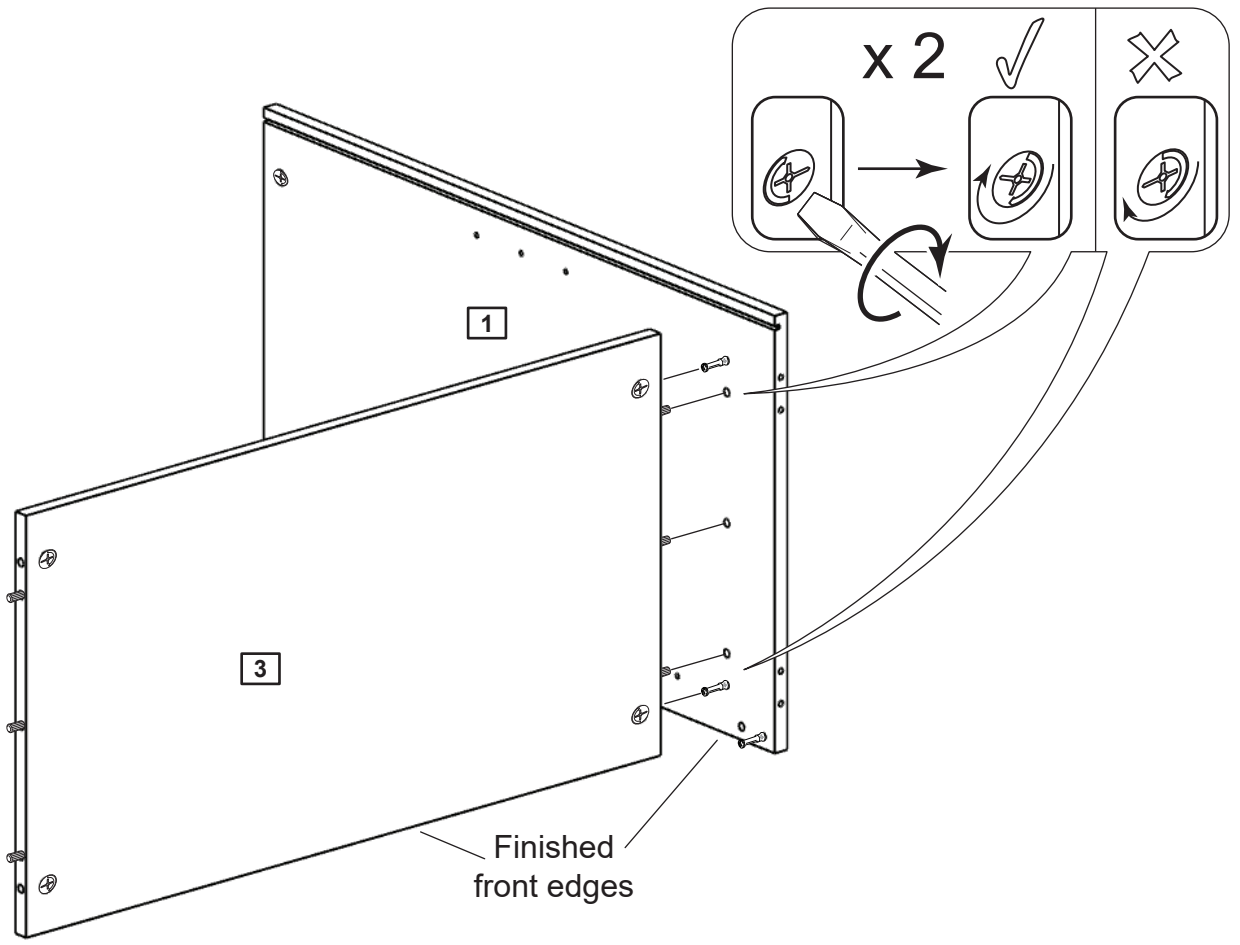
3



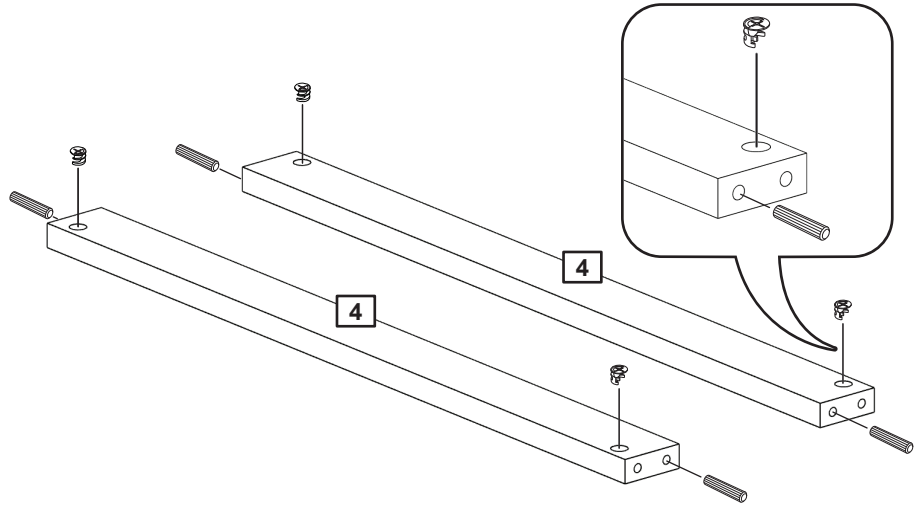
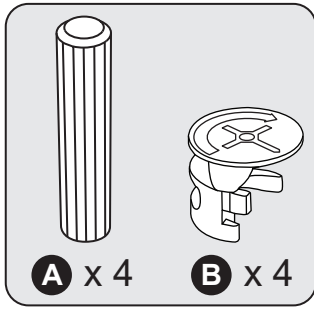
4



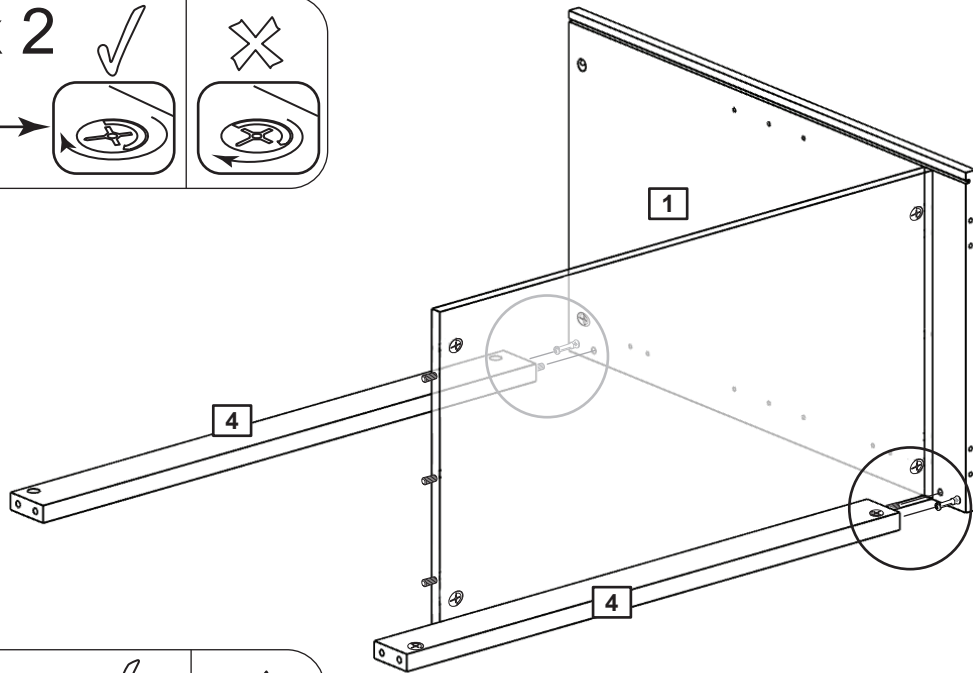
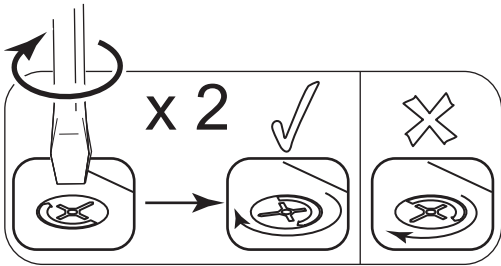
5



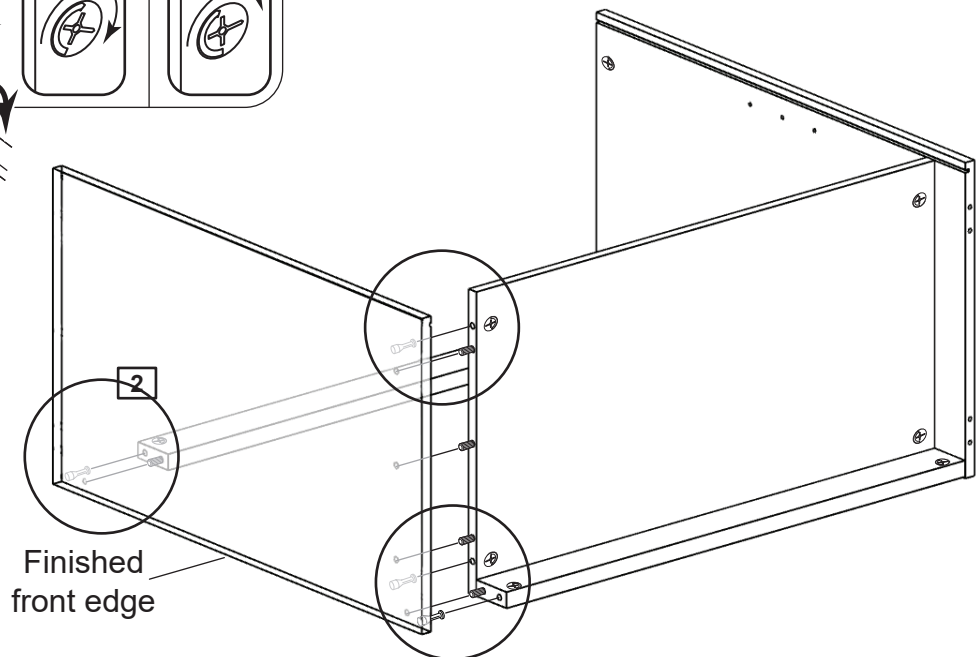
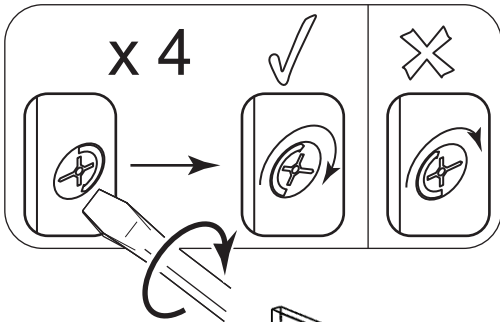
6



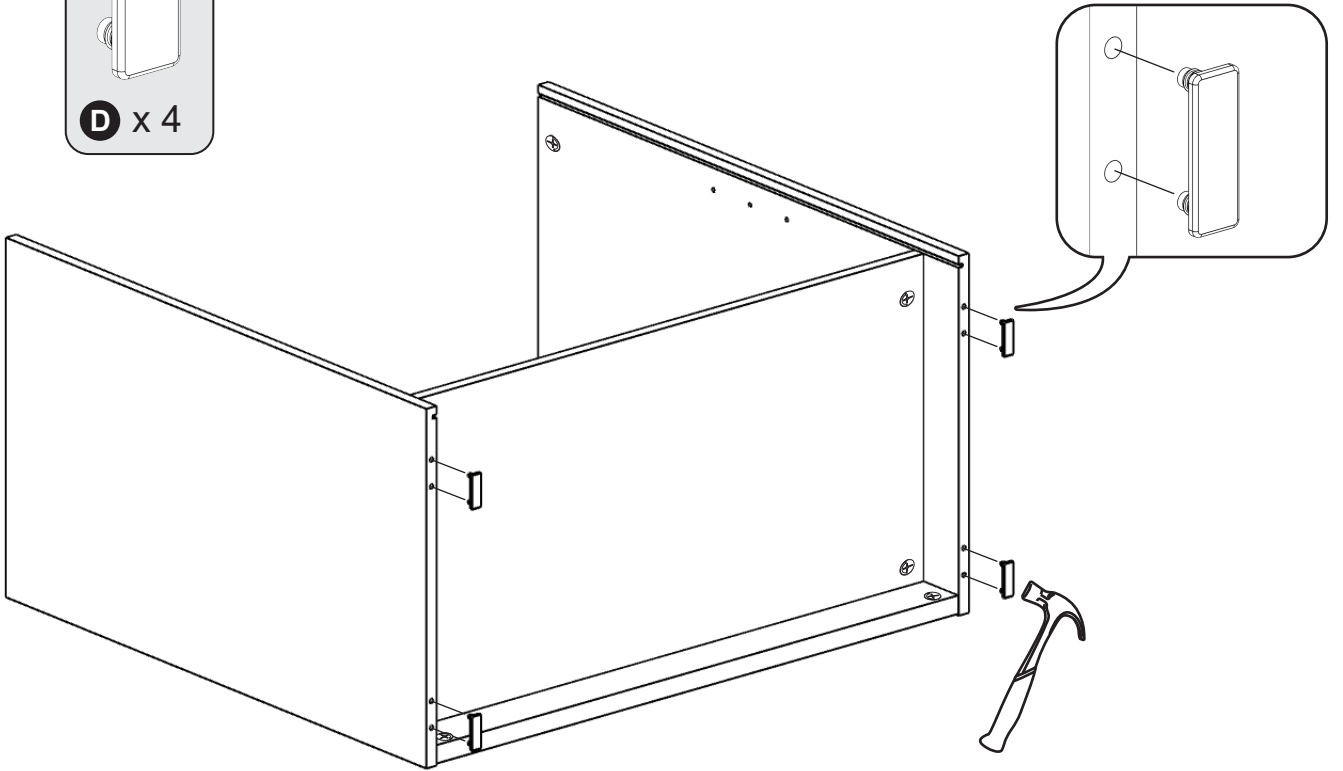
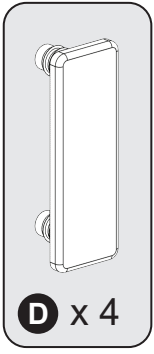
7



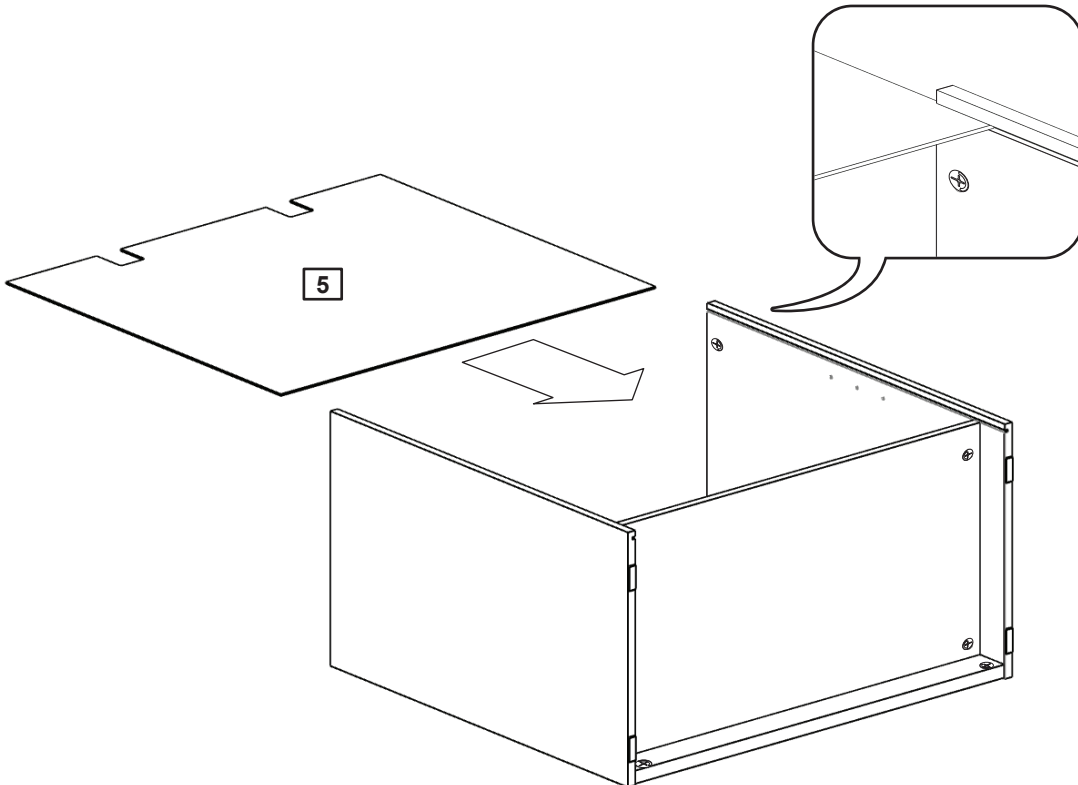
8



9



10



11

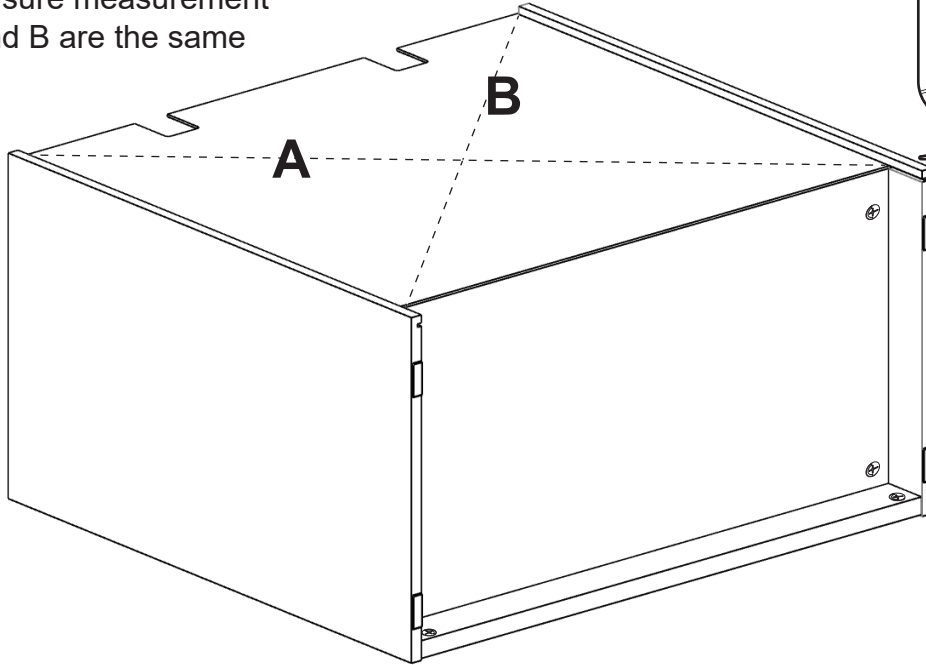


Squaring up a Chest and fitting the Back Panel

www.youtube.com/watch?v=Feal6541z7o

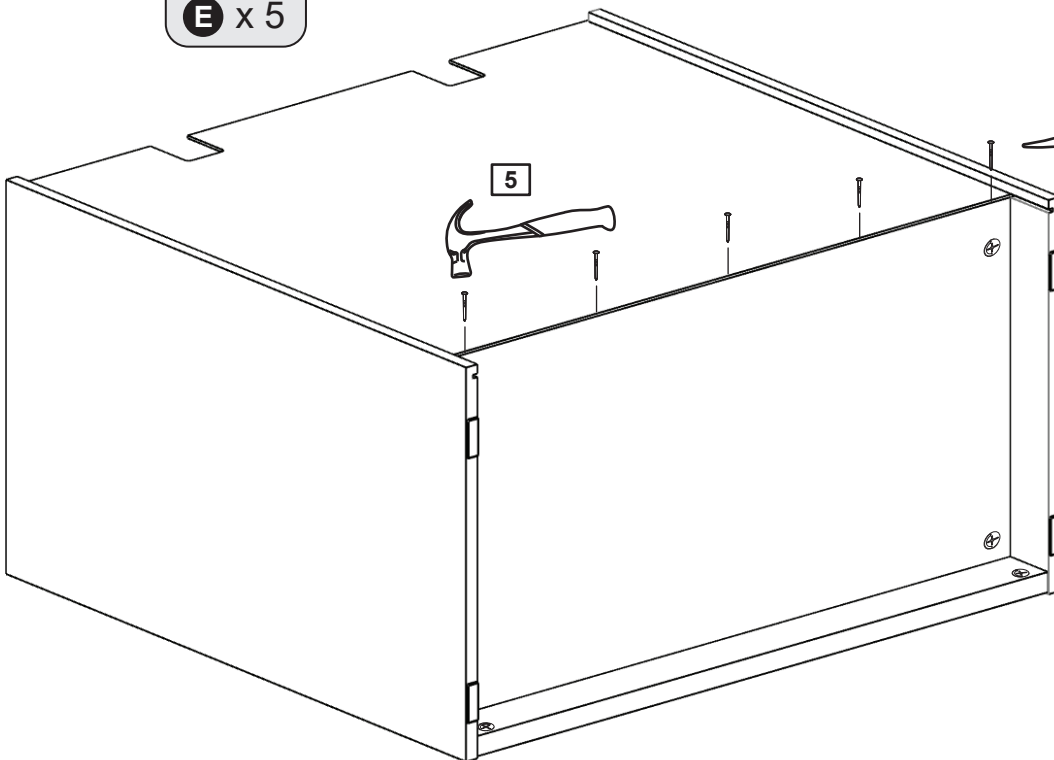
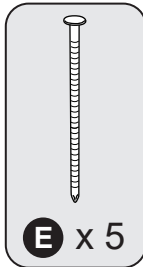


Make sure measurement
A and B are the same

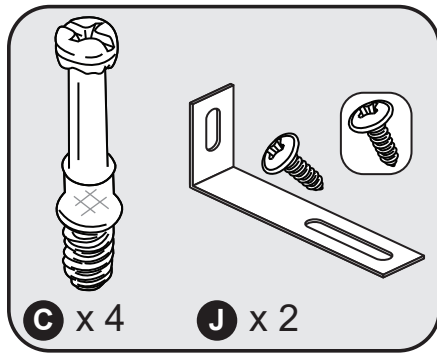


The Back panel must be
flush with the Back Rail.

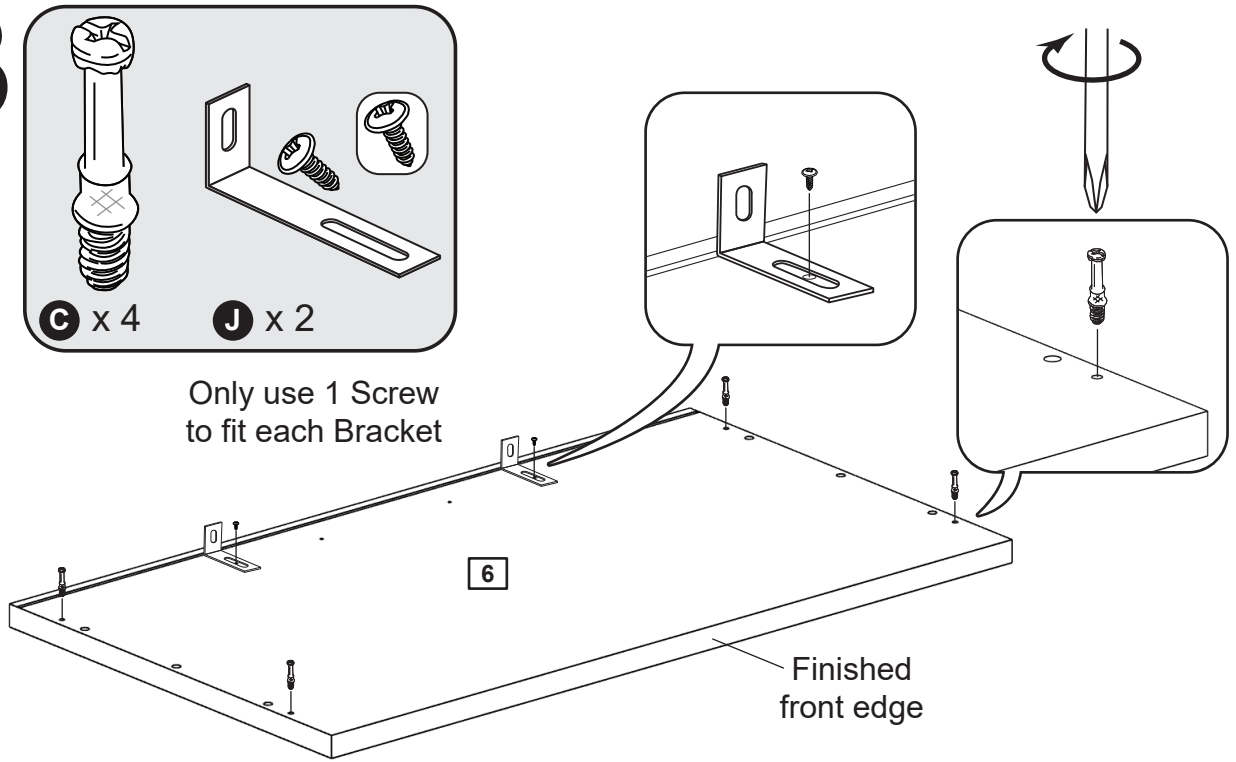
12



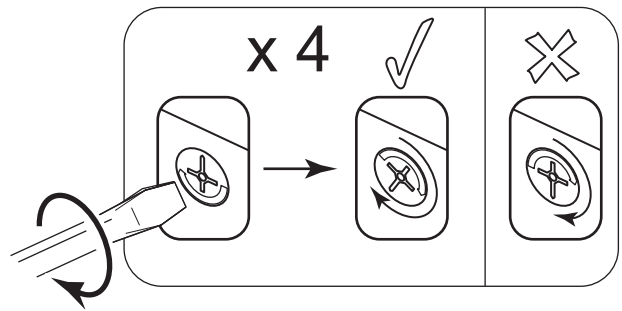
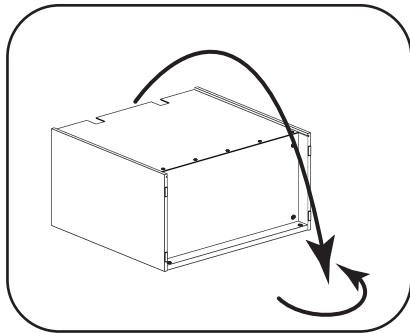
13



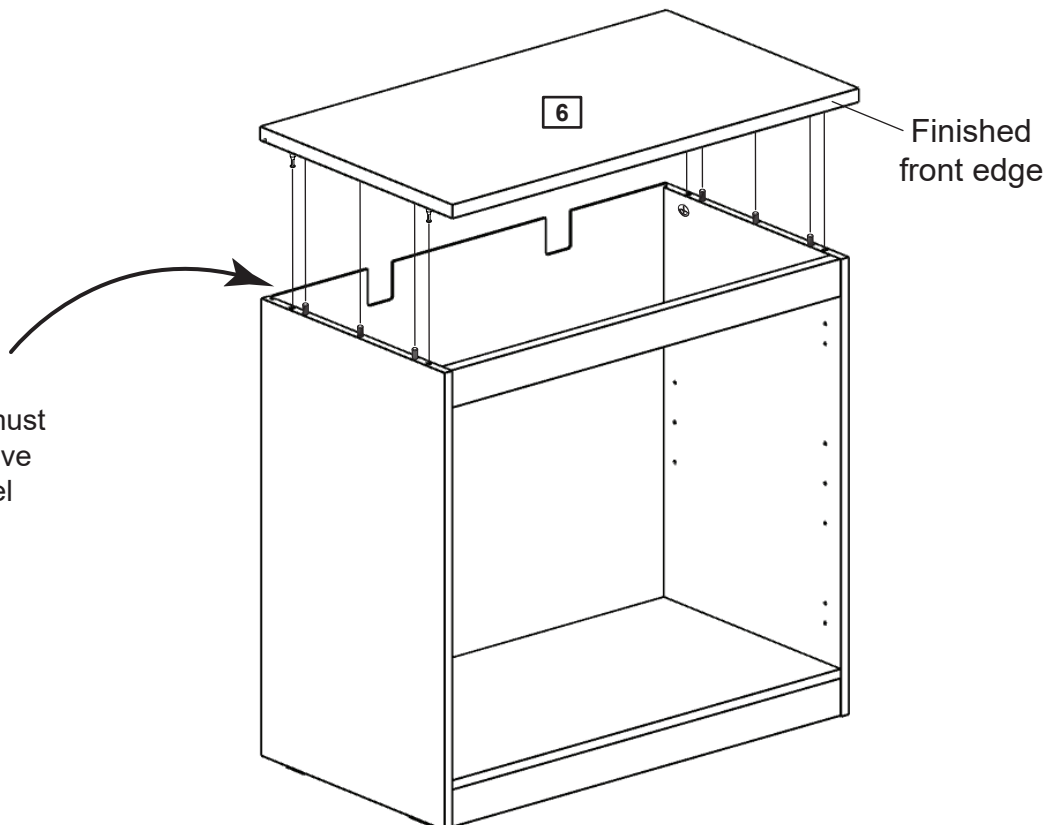
Only use 1 Screw
to fit each Bracket



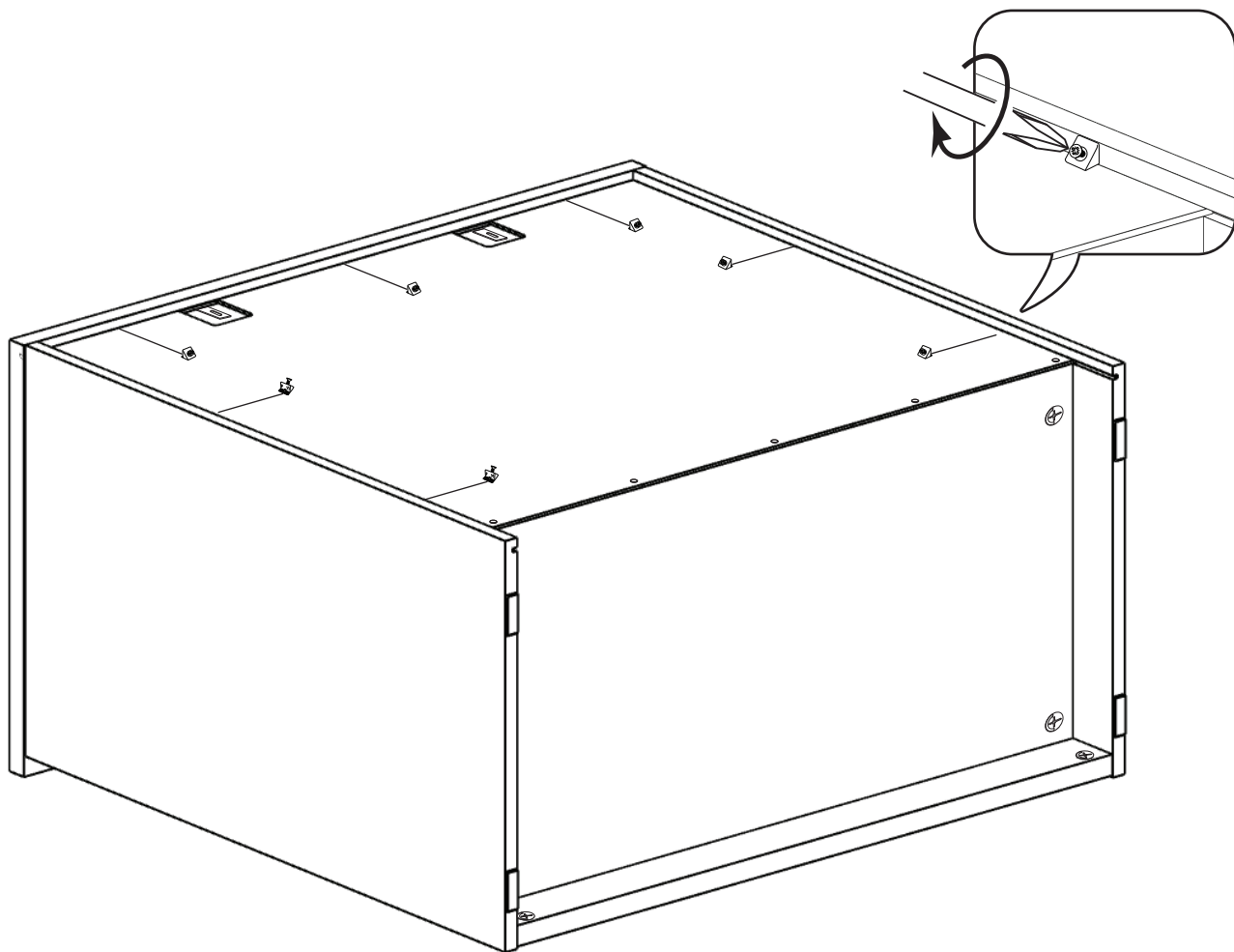
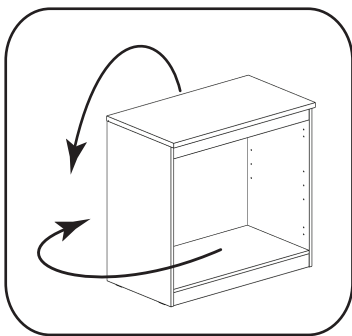
14



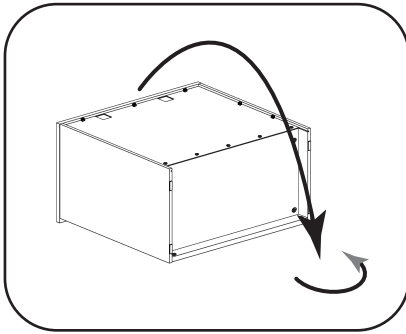
IMPORTANT:
The Back panel must
slot into the groove
in the Top panel



15



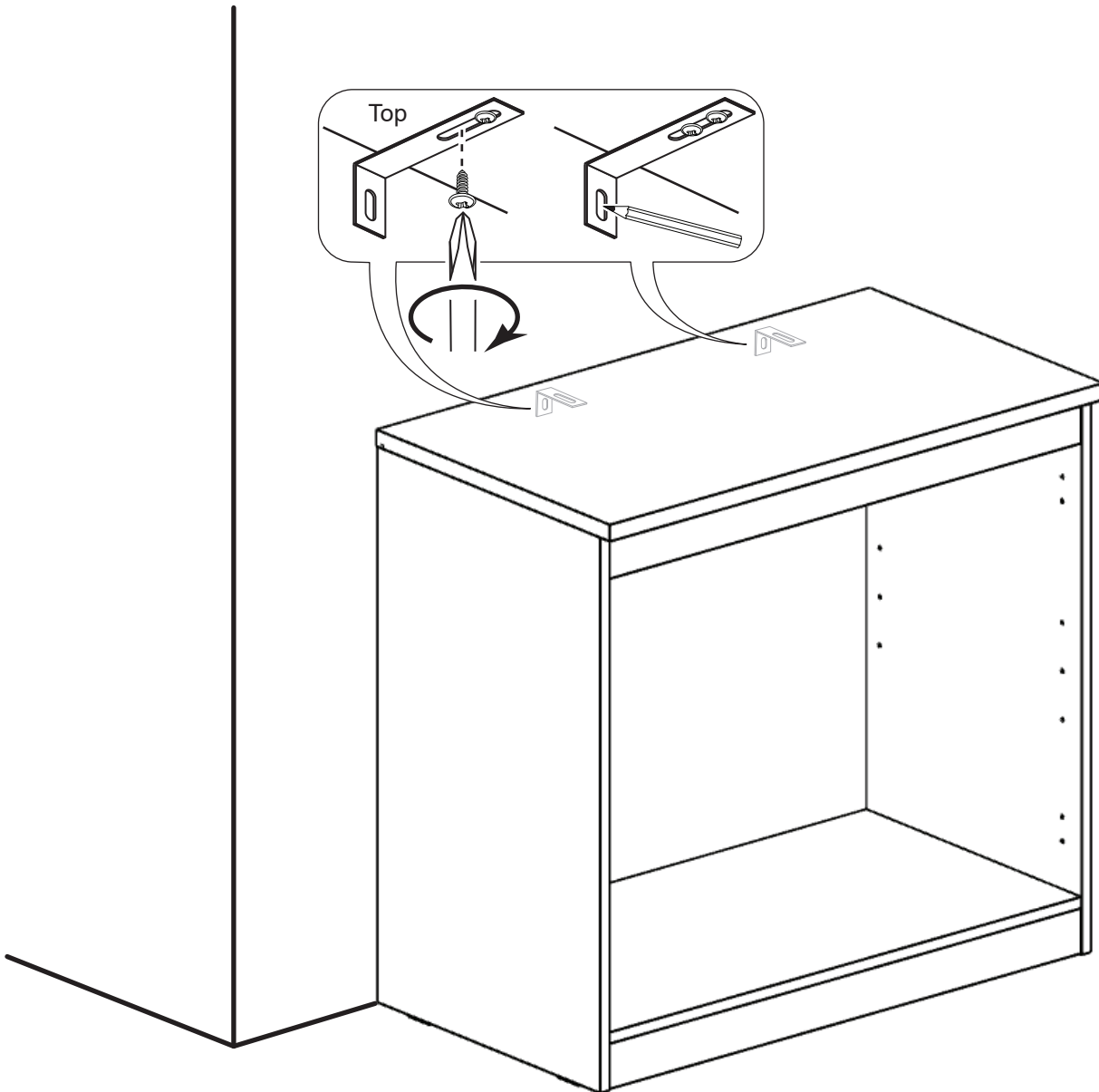
16



WARNING!

In order to prevent overturning this product must be used with the 2 wall attachment devices provided

See the next section for a guide to wall mounting and fixings



Slide the Brackets against the wall. Fit the 2nd screws supplied with the Brackets into the underside of the Top panel.

Mark the slot at the back of the Brackets for drilling into the wall.

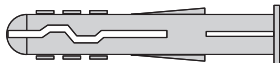
Wall fixings are not supplied as they will need to suit the wall type.

**Note: Take care when drilling the wall that you do not drill into any pipes, wires etc.
If in doubt, consult an expert.**

A Guide to Wall Mounting & Fixings

Important note:

If plastic wall plugs are supplied with your product:



- these are only suitable for use in masonry walls.

If you are in any doubt about the correct wall plugs for your wall, seek professional advice.


Failure of the product due to using incorrect fixings is the responsibility of the installer.



Important: When drilling into walls always check that there are no hidden wires or pipes etc.

Make sure that the screws and wall plugs being used are suitable for supporting your unit. Consult a qualified tradesperson if you are unsure.

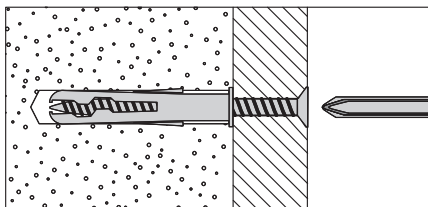
Hints:

- 1: General rule:  Always use a larger screw and wall plug if you are not sure.
- 2: Ensure you use the recommended drill bit to match the wall plug and hole size.
- 3: Ensure you drill the hole horizontally, do not force the drill or enlarge the hole.
- 4: Take extra care when drilling high walls, ceilings and ceramic tiles. Ensure wall plugs are inserted beyond the thickness of the ceramic tiles to avoid the tiles splitting or cracking.
- 5: Ensure wall plugs are well fitted and are a tight fit in the drilled hole.

Types of walls

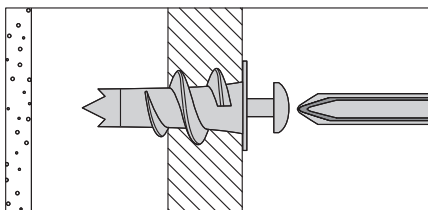
You can use one of the following types of wall plug if your walls are made of brick, breeze block, concrete, stone or wood.

No.1 "General Purpose" wall plug



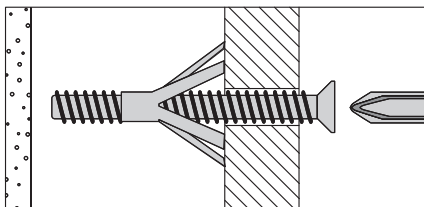
Generally aerated blocks should not be used to support heavy loads, use a specialist fitting in this case. For light loads, general purpose wall plugs can be used.

No.2 "Plasterboard" wall plug



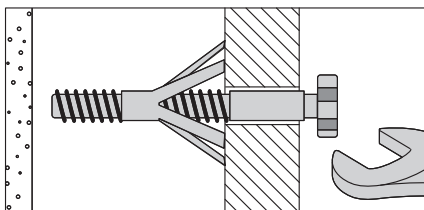
For use when attaching light loads on to plasterboard partitions.

No.3 "Cavity Fixing" wall plug



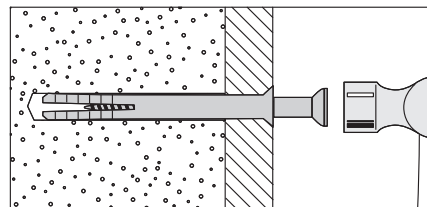
For use with plasterboard partitions or hollow wooden doors.

No.4 "Cavity Fixing-Heavy Duty" wall plug



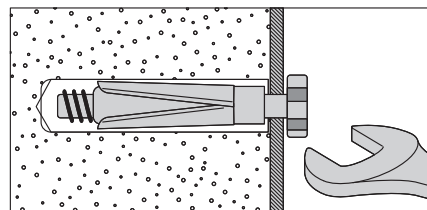
For use when fitting or supporting heavy loads such as shelving, wall cabinets and coat racks.

No.5 "Hammer Fixing" wall plug



For use with walls stuck with plasterboard. The hammer fixing allows it to be fixed to the wall rather than the plasterboard. Always check the fixing is secure to the retaining wall.

No.6 "Shield Anchor" wall plug Heavy loads



For use with heavier loads such as TV & HiFi speakers and satellite dishes etc.

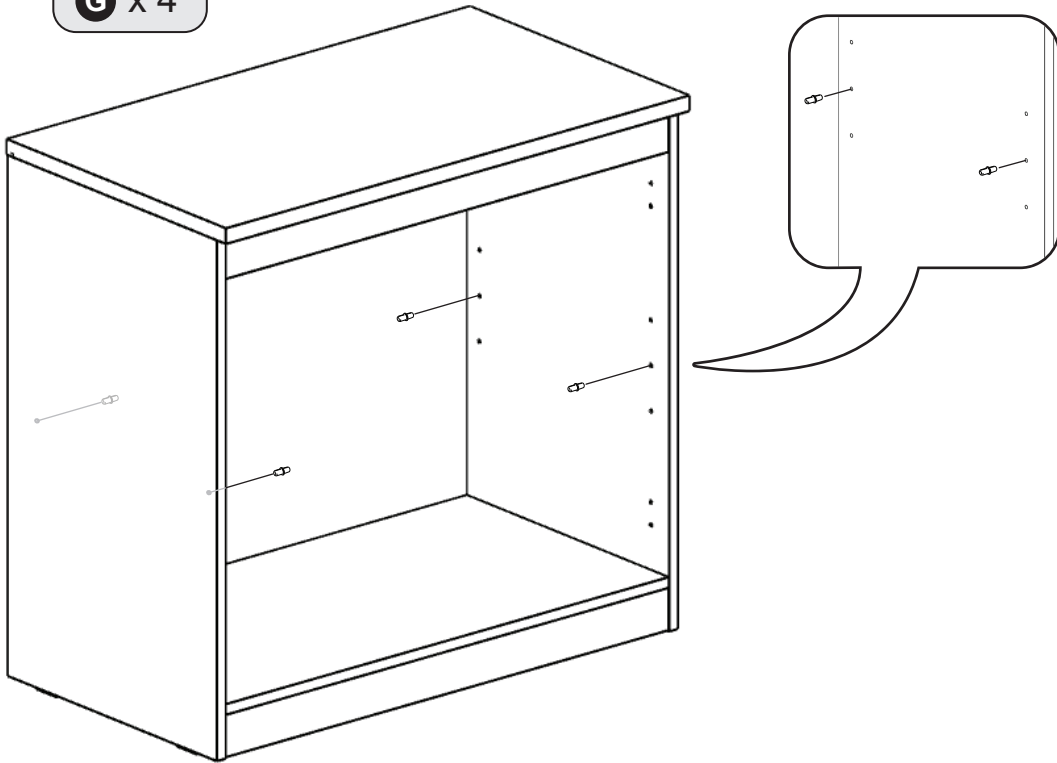
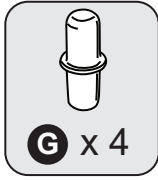


Care & Maintenance

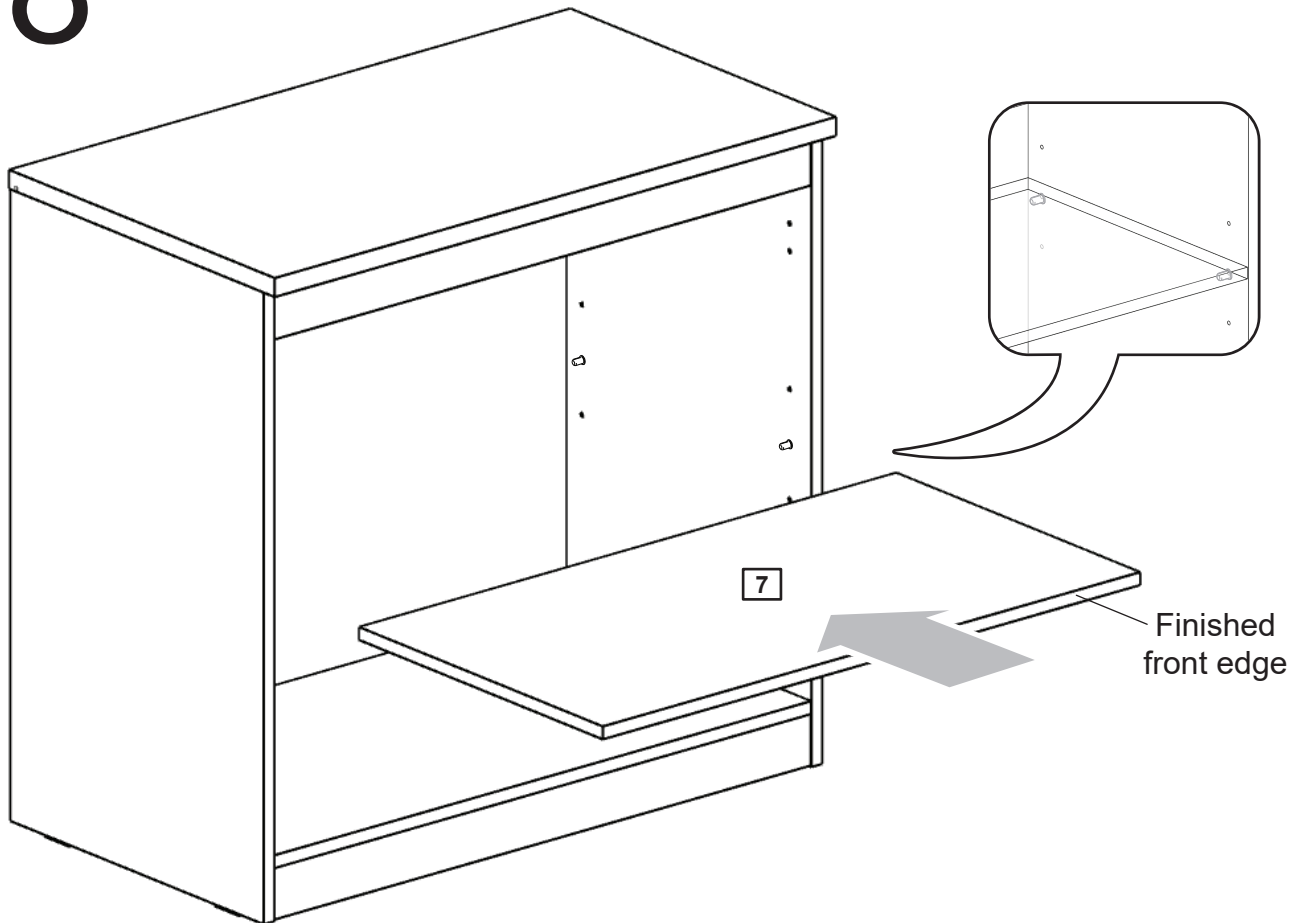
Safety: Always check the fitting and location to ensure your safety in and around the home.

Fitting: From time to time check the fitting to ensure the wall plugs or screws do not become loose.

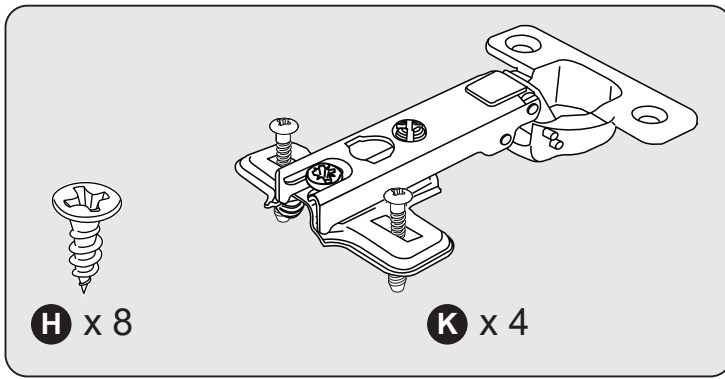
17



18

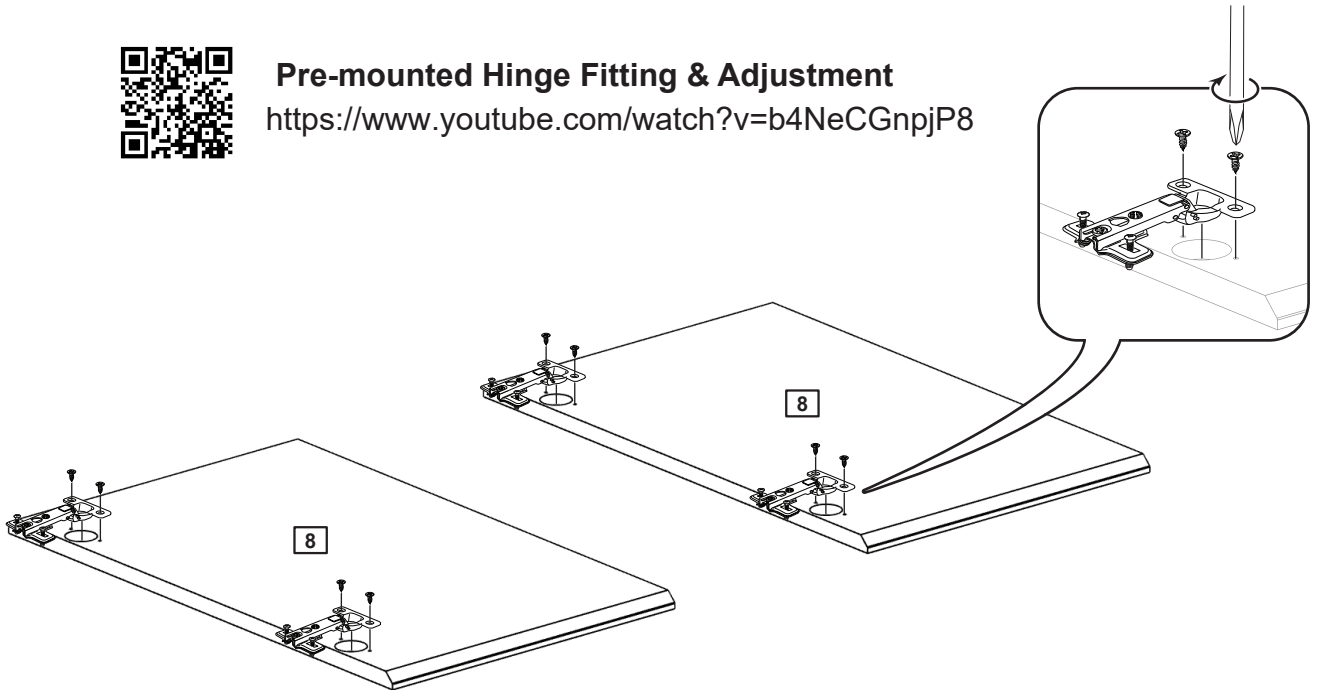


19

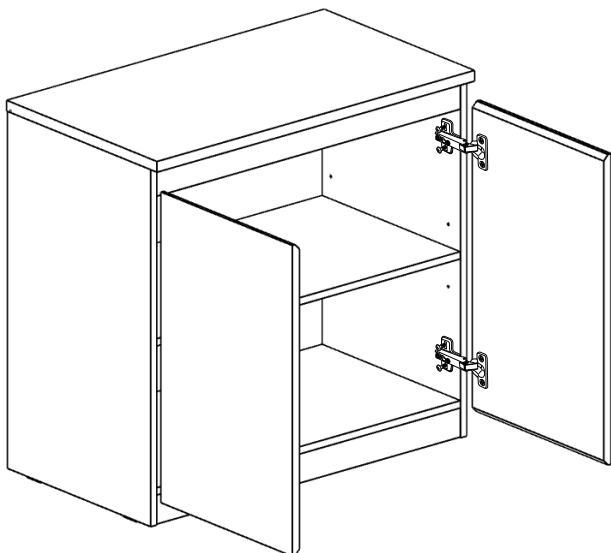


Pre-mounted Hinge Fitting & Adjustment

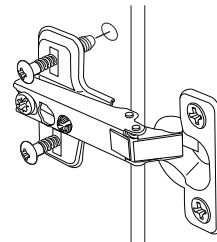
<https://www.youtube.com/watch?v=b4NeCGnpjP8>



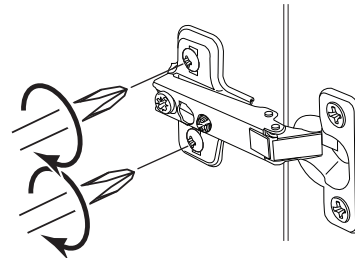
20



Press the screws into the holes in the panels



When the hinges have been pushed in,
tighten up their screws



Repeat for both doors

21



Pre-mounted Hinge Fitting & Adjustment

<https://www.youtube.com/watch?v=b4NeCGnpjP8>

Adjust the Door if required

a: Height adjustment.

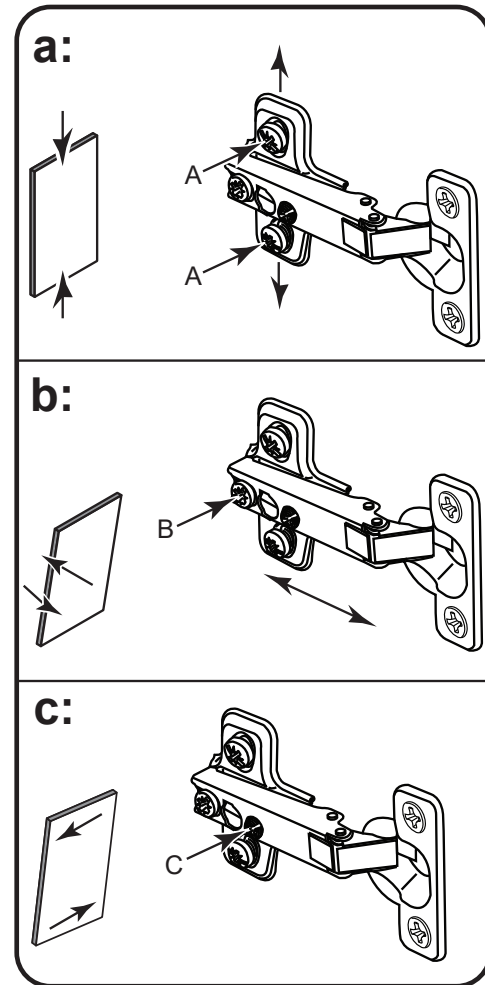
Loosen screws A on Hinge Plates and move Door up or down as required. Retighten screw A.

b: Forward and Back adjustment.

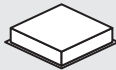
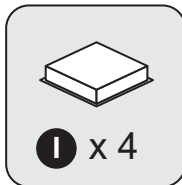
Loosen screw B on Hinge Plate and move door in or out as required. Retighten screw B.

C: Sideways adjustment.

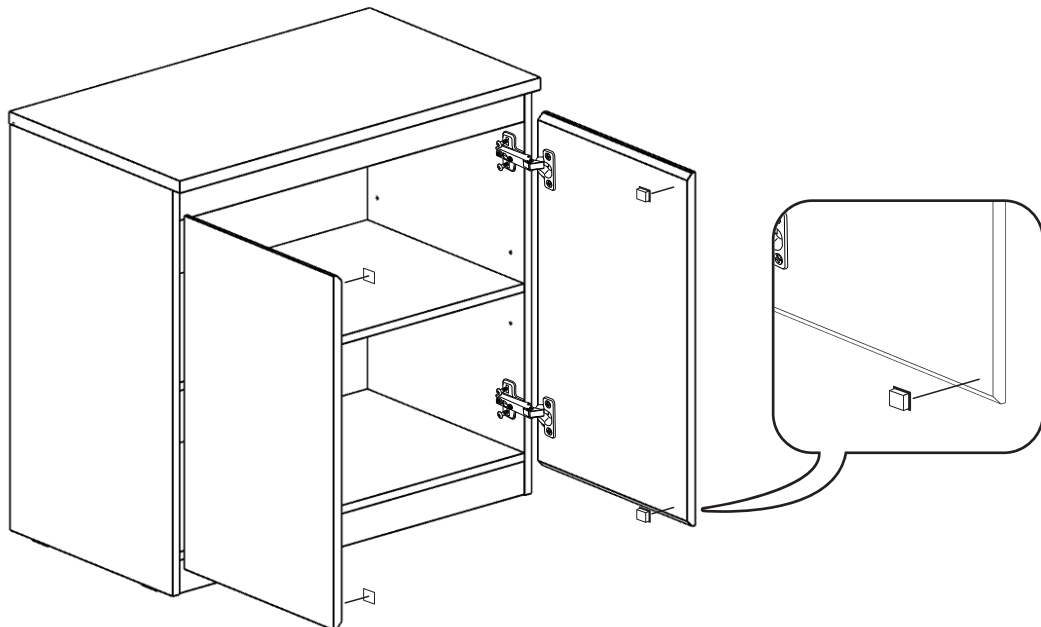
To move door 'out' loosen screw C. To move door 'in' tighten screw C.



22



ⓘ x 4



Assembly is complete

Please remove any blue protective film from panel edges and clear protective film from panel surfaces