

Radius Solid Oak 3FT Frame

habitat 



Spare Parts

 www.argos-support.co.uk

 Help@ClickSpares.co.uk

 0370 112 1928

Customer Support

 0345 640 2020



Safety and Care Advice

Product Details

Radius Soild Oak 3FT Frame 9402733

IMPORTANT, RETAIN FOR FUTURE REFERENCE: READ CAREFULLY.

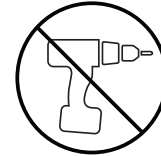
- Keep children and animals away from the work area, small parts could choke if swallowed.

- Make sure you have enough space to layout the parts before starting.

- This product has been constructed to be used in the domestic environment only and not for commercial purposes.

- Assemble the item as close to its final position (in the same room) as possible.

- Assemble on a soft level surface to avoid damaging the unit or your floor.



- We do not recommend the use of power drill/drivers for inserting screws as this could damage the unit. Only use hand screwdrivers.

- Parts of the assembly will be easier with 2 people.

- Dispose of all packaging carefully and responsibly.

Care and maintenance

- Only clean using a damp cloth and mild detergent. Do not use abrasive cleaners.

- Use a dry cloth to clean the product, furniture polish is not recommended.

- From time to time check that there are no loose screws, nuts or bolts. If there are please re-tighten.

- This product should not be discarded with household waste. Take to your local authority waste disposal centre.

Additional Guidance

- Assemble all parts and bolts loosely during assembly, only once the product is complete should you fully tighten the bolts.

- Regularly check and ensure that all bolts and fittings are tightend properly.

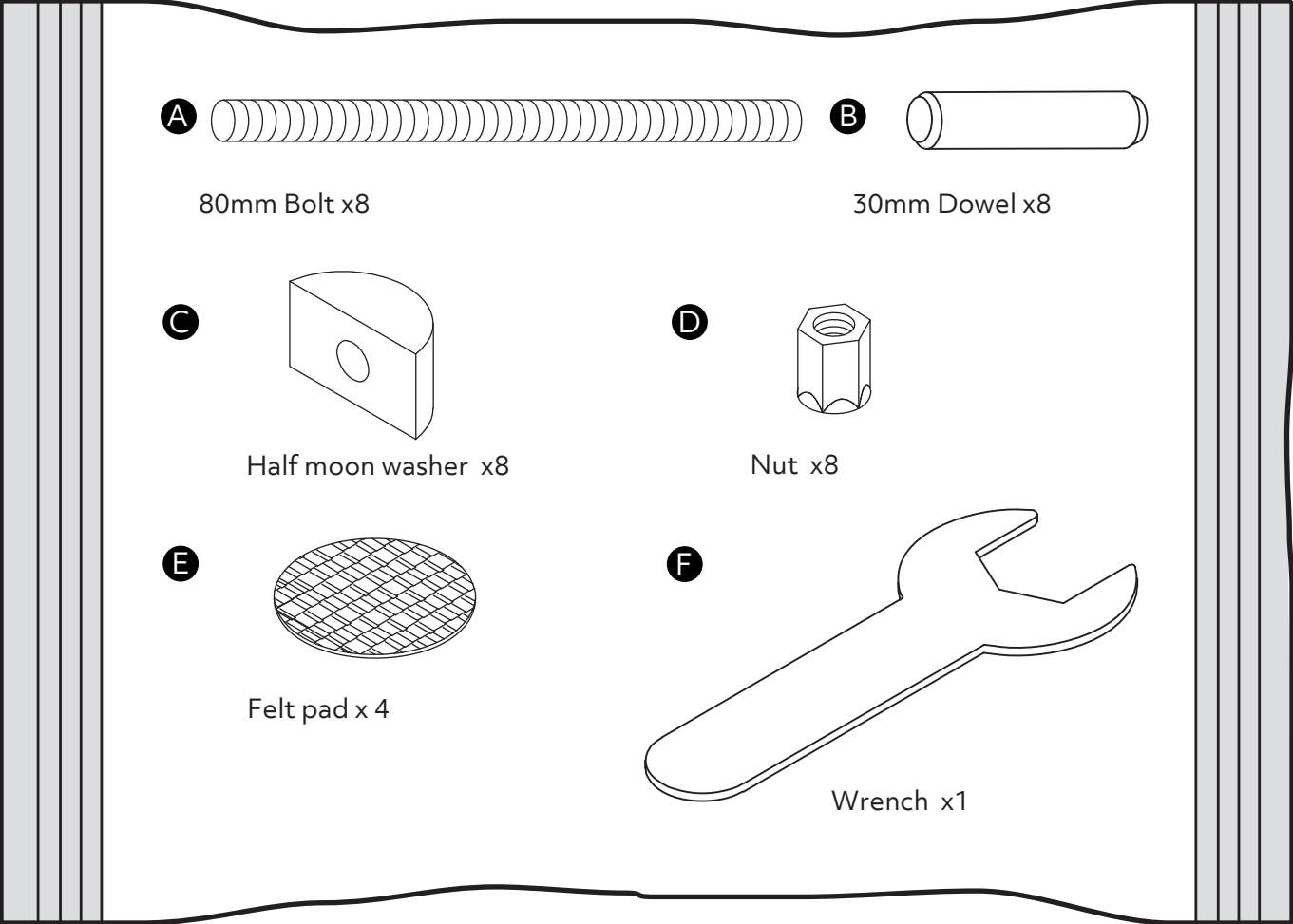
- Maximum user weight 100kg(refer to EN1725)

- This product is compliant EN1725:2015

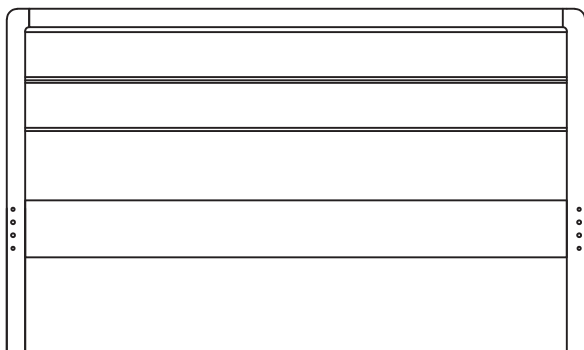
- Any additional or replacement parts are obtained from the manufacturer.

Fittings (Shown to scale)

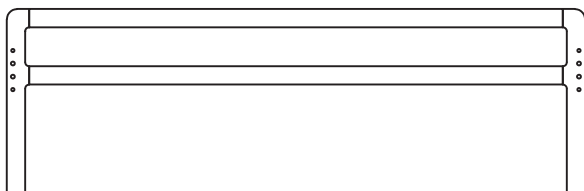
Bag 1



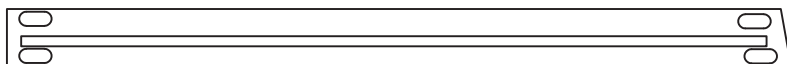
Panels



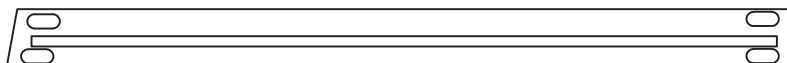
1 Head Board x 1
(970 x 840mm)



2 Foot Board x 1
(970 x 450mm)



3 Left Side Panel x 1
(1926 x 140mm)



4 Right Side Panel x 1
(1926 x 140mm)

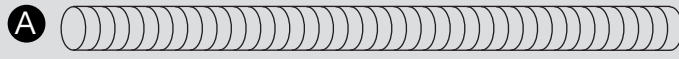


5 End Cap x 30



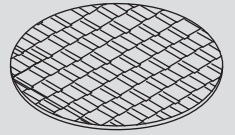
6 Slats x 15
(915 x 53mm)

1

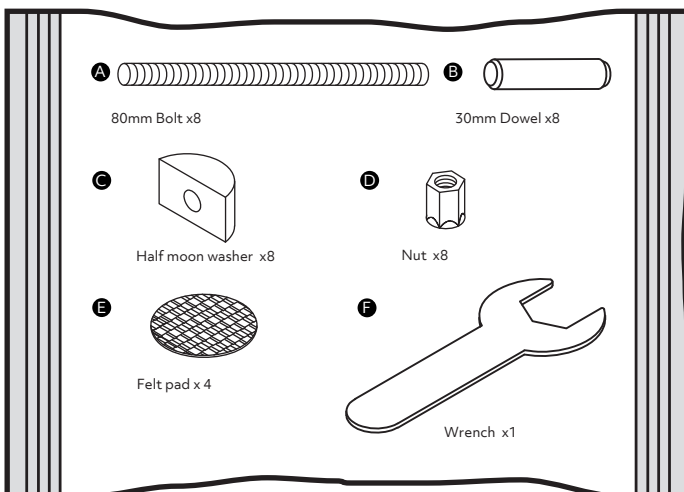
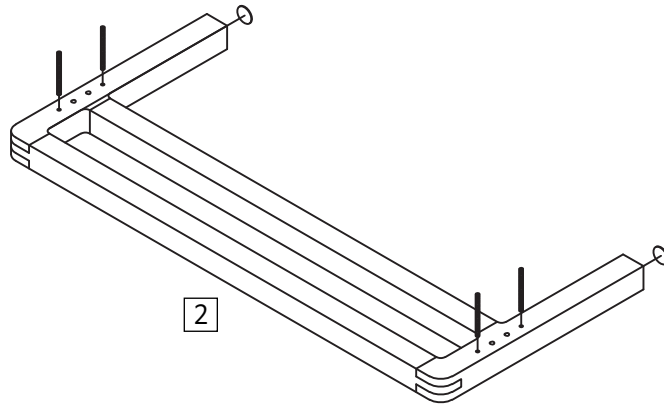
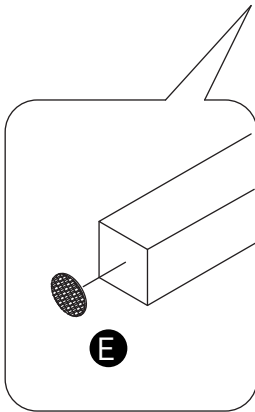
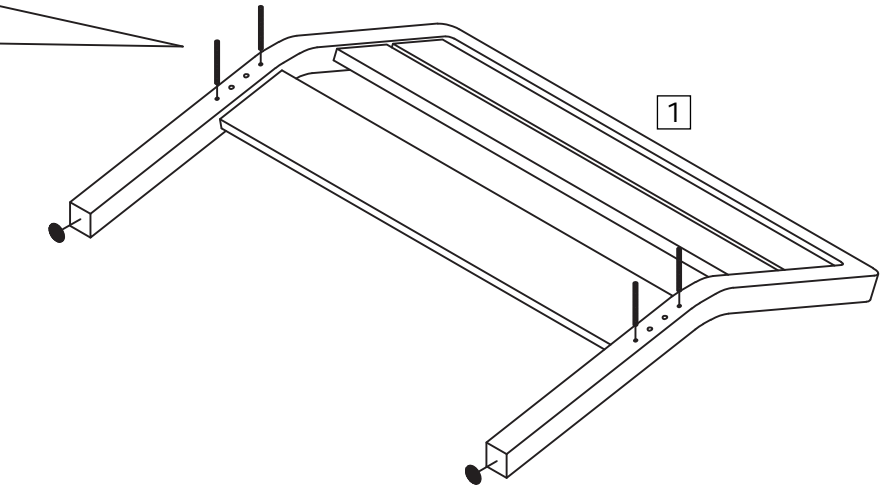
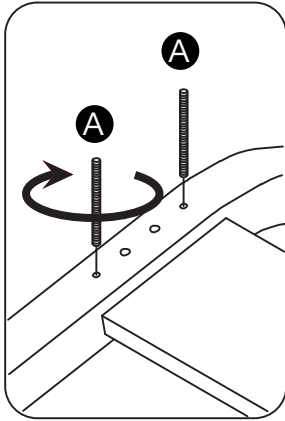


80mm Bolt x8

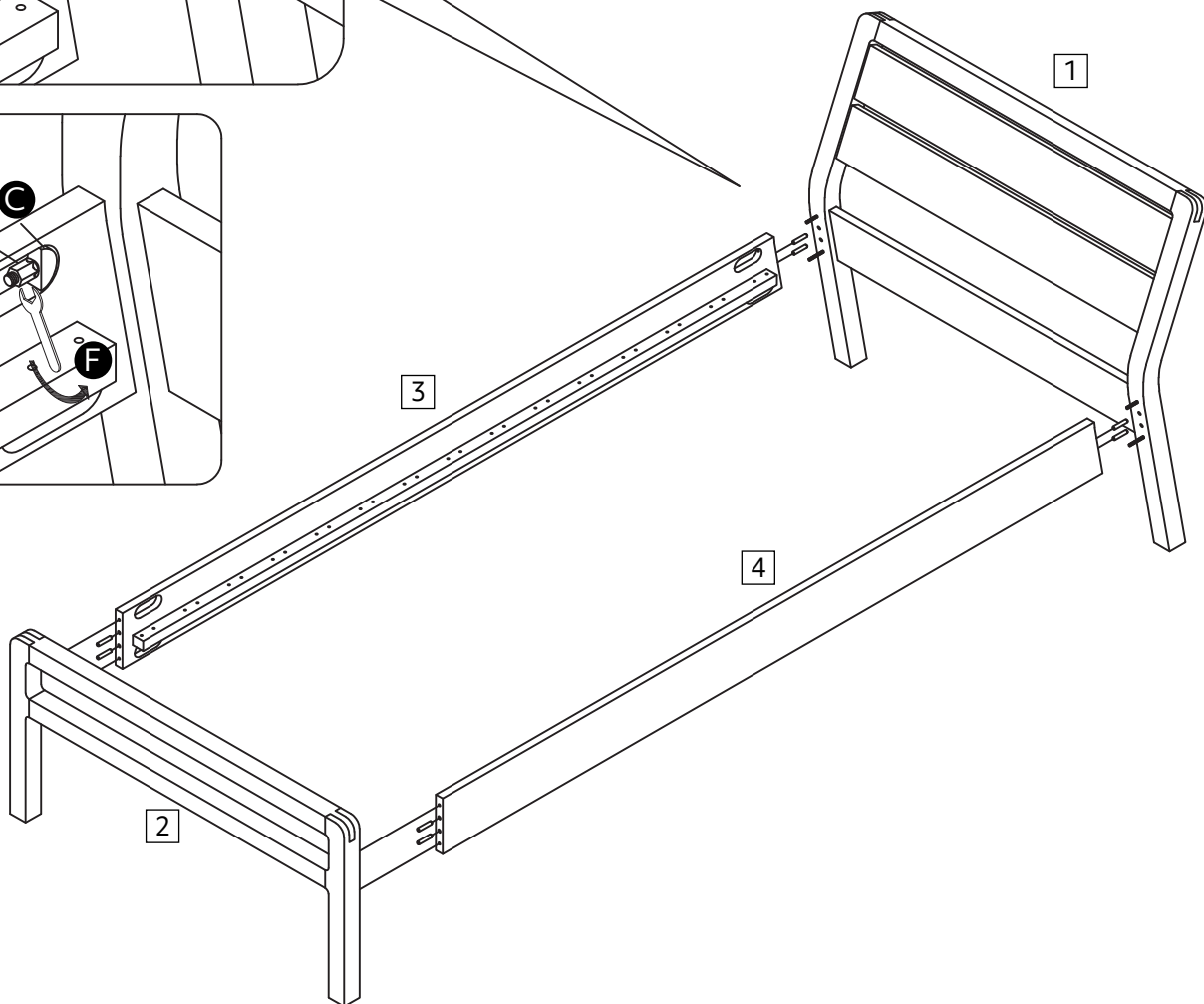
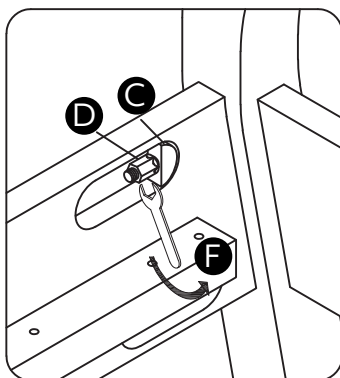
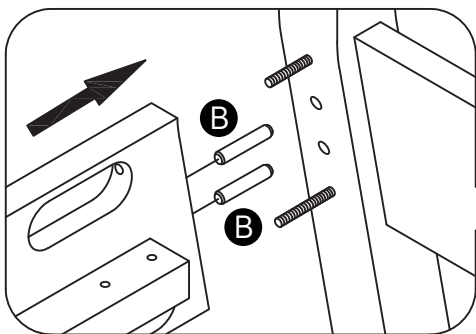
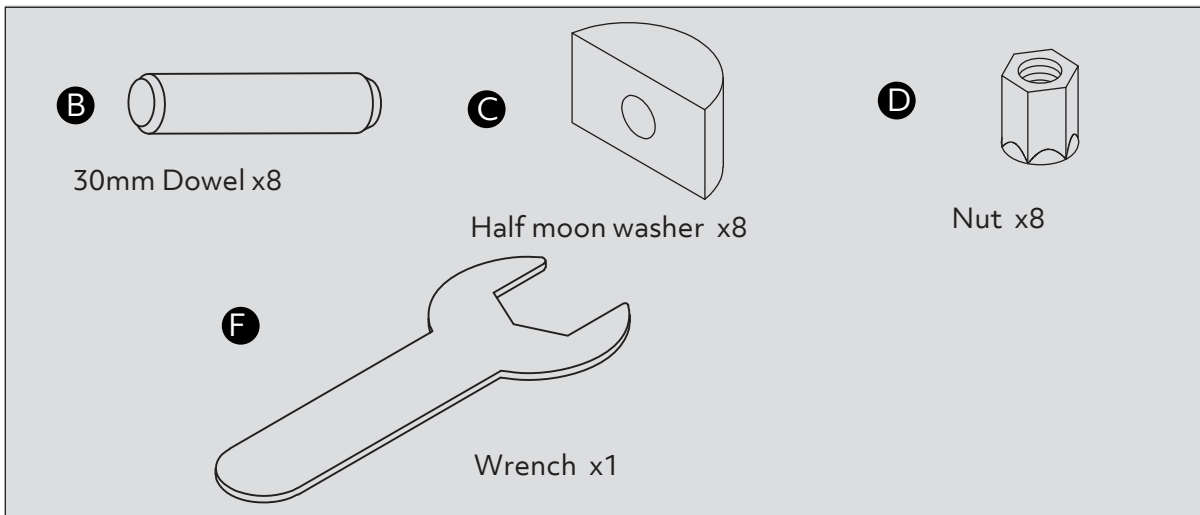
E



Felt pad x 4

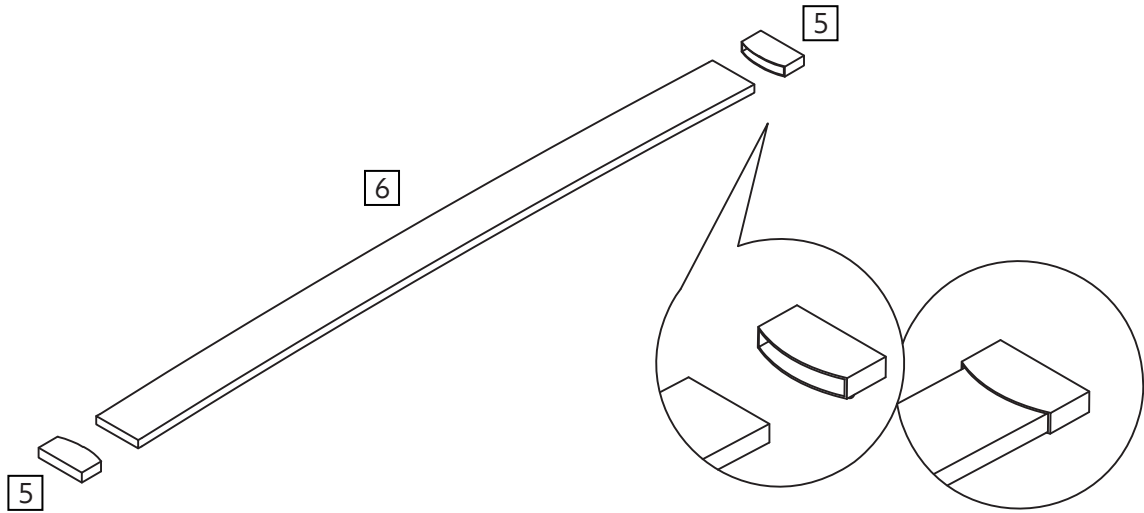


2



3

x15



4



5



Assembly is complete.