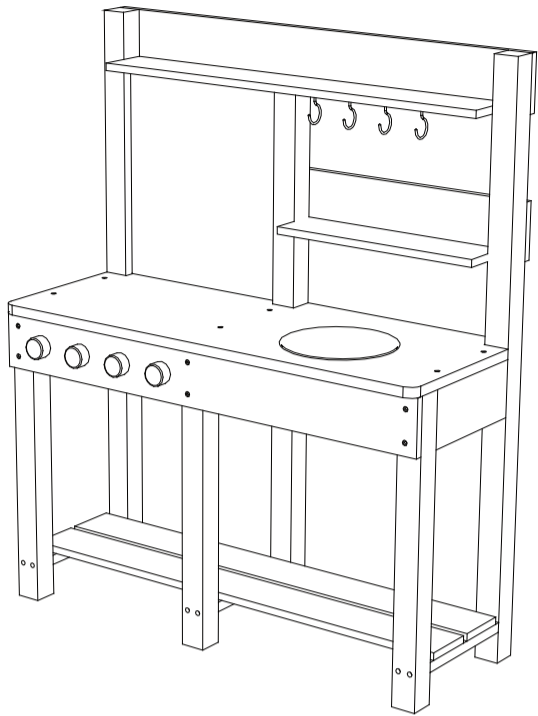


# CV WOODEN MUD KITCHEN

Assembly & User Instructions - Please keep for future reference 940/2348



## Important

Age: 3+ years

## Important – Please read these instructions fully before assembly or use

These instructions contain important information which will help you get the best from your product and ensure safe and correct assembly, use and maintenance.

Issue 1 - 08/08/20

## ⚠ Safety Information

**Important** – Please read these instructions fully before assembly or use

### General safety

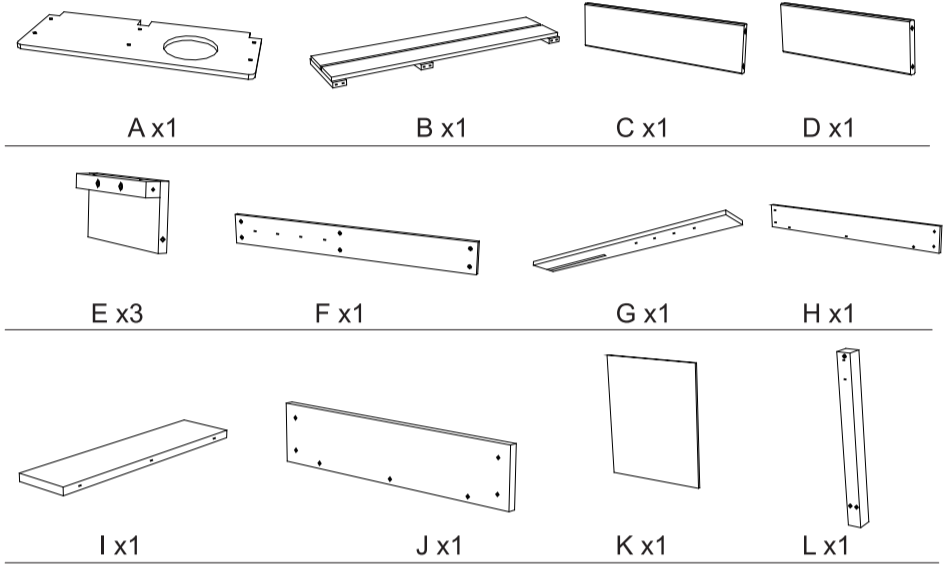
- Adult assembly required!
- Before use, please ensure the item is on a stable and level surface.
- Do not use the item if any part is broken or missing.
- Keep away from fire at all times.
- Adult supervision is required as young children in play are unaware of potential hazards and dangers.

### Warning

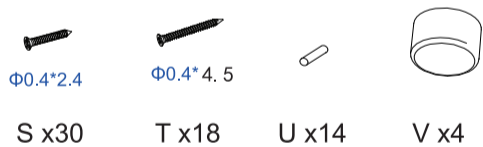
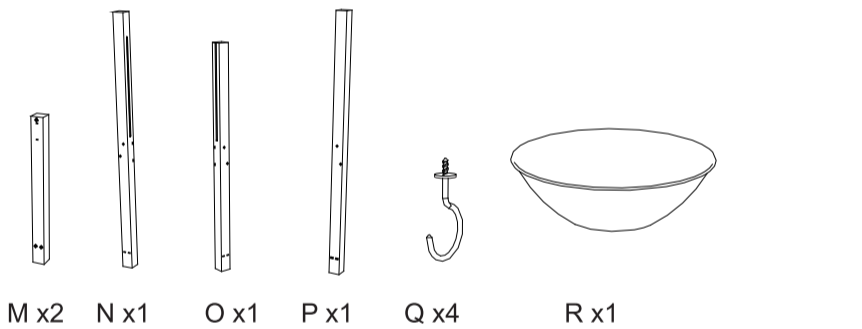
- This product contains small part which may be hazardous to your children!
- During assembly children should be kept away from the product due to possible risk of injury.
- Important: Retain these instructions for future reference.
- Assembly must be performed by two adults. Must be secured using a screwdriver.
- Suitable for use outdoor .To extend the life of your product it is recommended to treat the wood or cover the product during heavy rain and extreme hot sun.

## Parts

Please check you have all the parts and fittings listed below



1



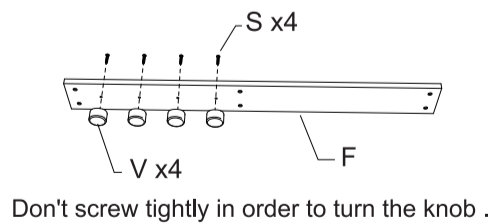
Ruler - Use this ruler to help correctly identify the screws



## Assembly Instructions

### Step 1:

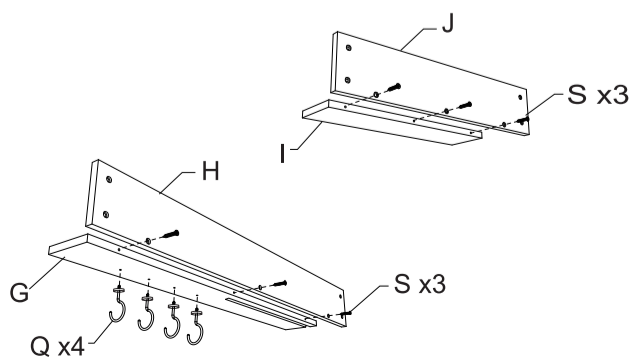
Insert part V into part F by screw S.



Don't screw tightly in order to turn the knob .

### Step 2:

Insert part G into part H by screw S, and then screw the part Q and part G together, and insert part I into part J by screw S.



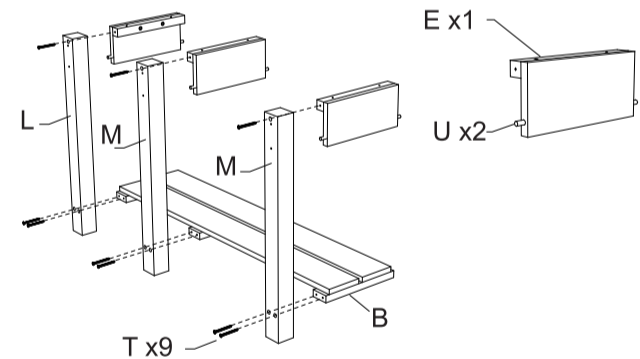
3

2

## Assembly Instructions

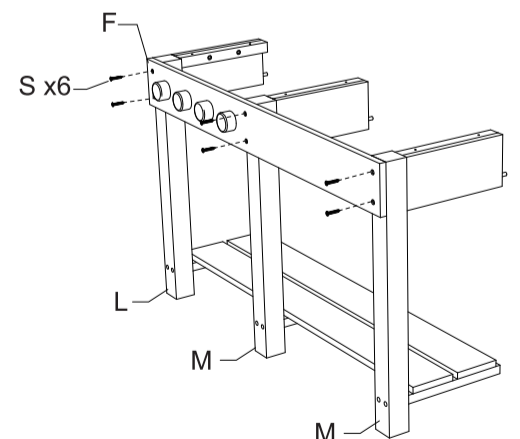
### Step 3:

Put the wood plug U into part E. Insert part L/M into part B by screw T, and then part E into part L/M .



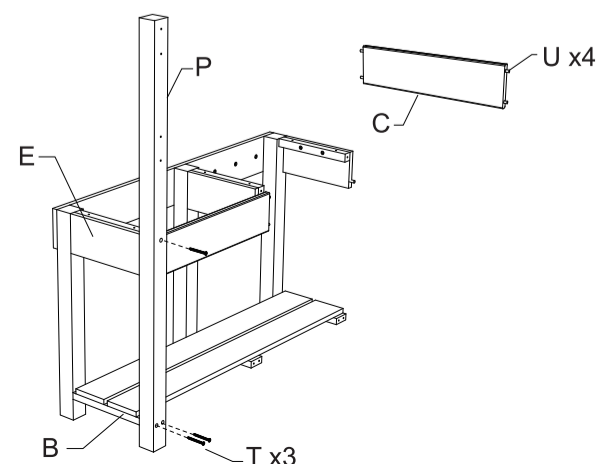
### Step 4:

Insert part F into part L/M by screw S.



### Step 5:

Put the wood plug U into part C. Insert part C into part P. Insert part E/B into part P by screw T as shown.

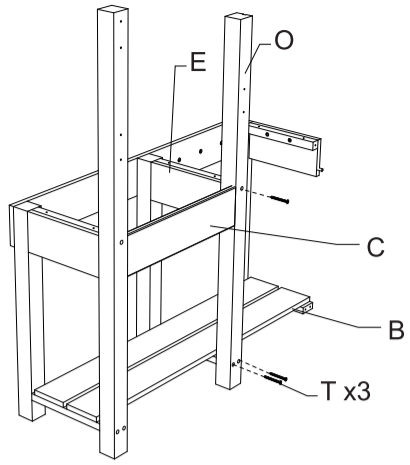


4

## Assembly Instructions

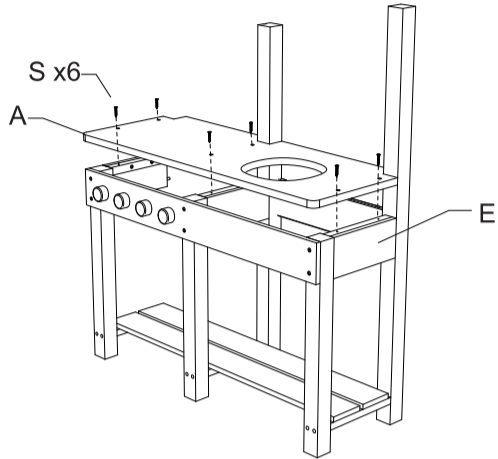
### Step 6:

Insert part O into part C/E.  
Insert part E/B into part O  
by screw T as shown.



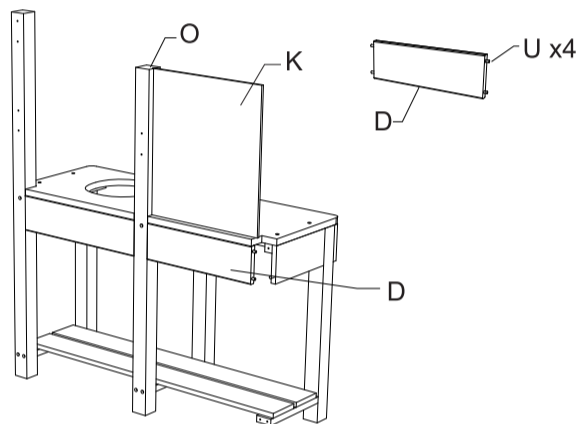
### Step 7:

Insert part A into part E by  
screw S.



### Step 8:

Put the wood plug U into  
part D.  
Put part K into the part O.  
Insert part D into part O.

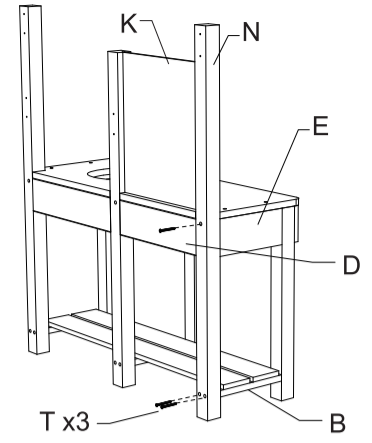


5

## Assembly Instructions

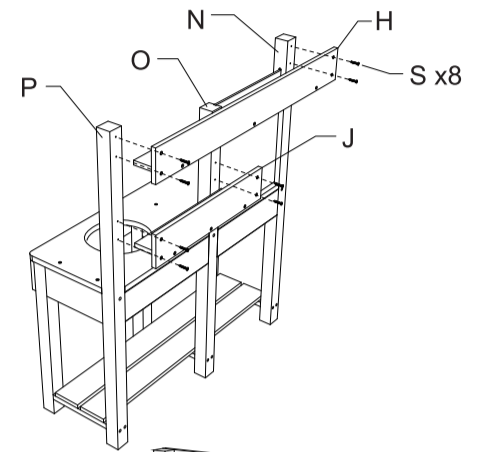
### Step 9:

Insert part N into part  
K/D/E.  
Insert part E/B into part N  
by screw T as shown.



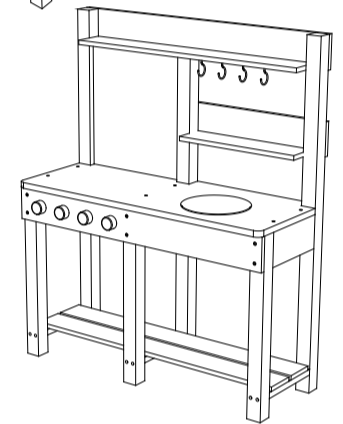
### Step 10:

Insert part H into part N/P  
by screw S, insert part J into  
part O/P by screw S.



### Step 10:

Assembly is complete.



6

### Care and Maintenance

- Periodically check all fittings to ensure that none have come loose.
- Any loose fittings must be tightened using the correct tool.



**Not suitable for children under 3 years  
due to small parts, choking hazard.**

If you need help or have damaged or missing parts, call the **Customer Helpline:** 0345 604 0105  
Produced in China for Argos Limited, 489-499 Avebury Boulevard, Millton Keynes, MK9 2NW.  
Visit [www.argos.co.uk/chadvalley](http://www.argos.co.uk/chadvalley)

7