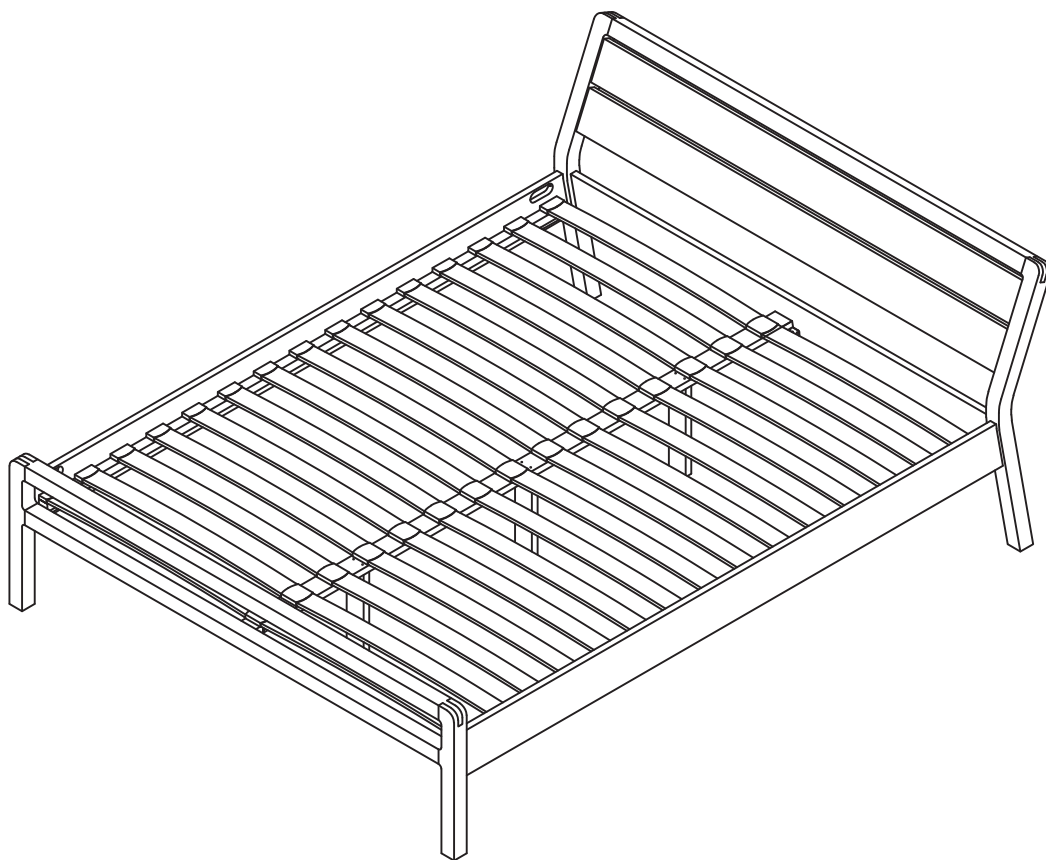


Radius Solid Oak King Frame

habitat 



Spare Parts

 www.argos-support.co.uk

 Help@ClickSpares.co.uk

 0370 112 1928

Customer Support

 0345 640 2020



Safety and Care Advice

Product Details

Radius Soild Oak King Frame 9394494

IMPORTANT, RETAIN FOR FUTURE REFERENCE: READ CAREFULLY.

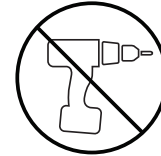
- Keep children and animals away from the work area, small parts could choke if swallowed.

- Make sure you have enough space to layout the parts before starting.

- This product has been constructed to be used in the domestic environment only and not for commercial purposes.

- Assemble the item as close to its final position (in the same room) as possible.

- Assemble on a soft level surface to avoid damaging the unit or your floor.



- We do not recommend the use of power drill/drivers for inserting screws as this could damage the unit. Only use hand screwdrivers.

- Parts of the assembly will be easier with 2 people.

- Dispose of all packaging carefully and responsibly.

Care and maintenance

- Only clean using a damp cloth and mild detergent. Do not use abrasive cleaners.

- Use a dry cloth to clean the product, furniture polish is not recommended.

- From time to time check that there are no loose screws, nuts or bolts. If there are please re-tighten.

- This product should not be discarded with household waste. Take to your local authority waste disposal centre.

Additional Guidance

- Assemble all parts and bolts loosely during assembly, only once the product is complete should you fully tighten the bolts.

- Regularly check and ensure that all bolts and fittings are tightend properly.

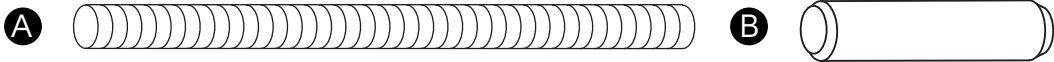
- Maximum user weight 100kg(refer to EN1725)

- This product is compliant EN1725:2015

- Any additional or replacement parts are obtained from the manufacturer.

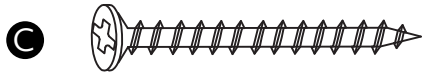
Fittings (Shown to scale)

Bag 1



80mm Bolt x8

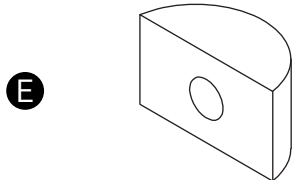
30mm Dowel x8



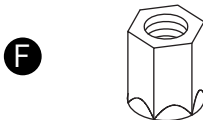
50mm Screw x6



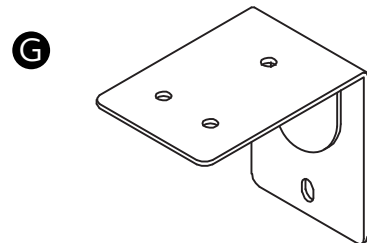
15mm Screw x6



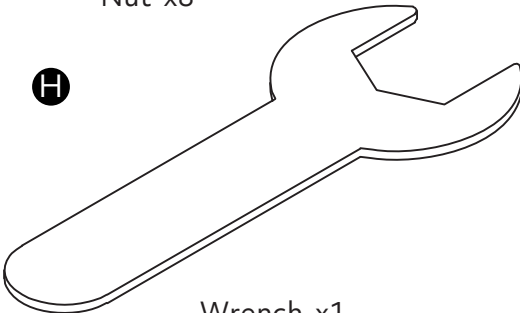
Half moon washer x8



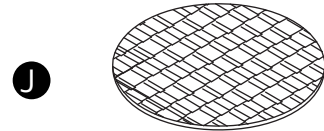
Nut x8



43mm Hanger iron x1

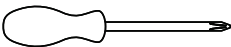


Wrench x1



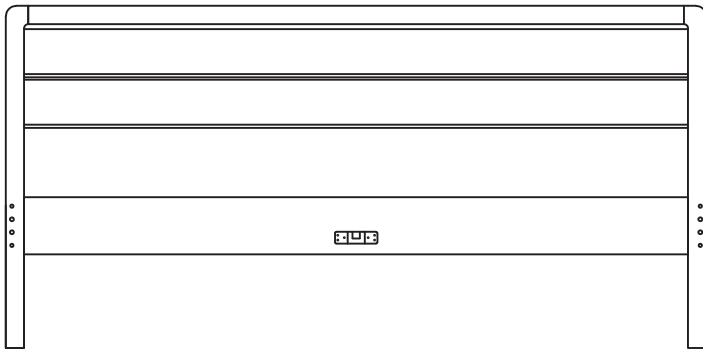
Felt pad x 4

Tools required

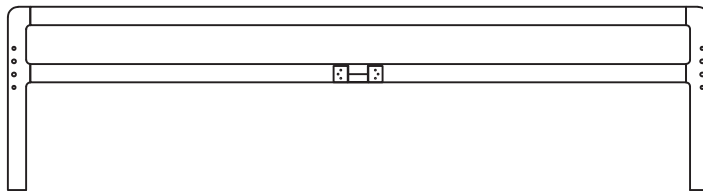


Phillips screwdriver
(small & medium)

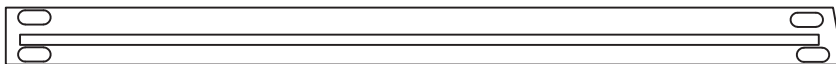
Panels



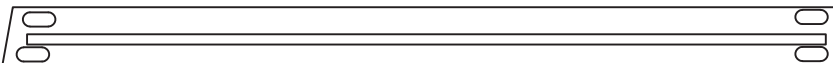
1 Head Board x 1
(1570 x 840mm)



2 Foot Board x 1
(1570 x 450mm)



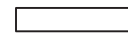
3 Left Side Panel x 1
(2000 x 140mm)



4 Right Side Panel x 1
(2000 x 140mm)



5 Center rail x 1
(2033 x 60mm)



6 Support Leg x 3
(270 x 60mm)



7 End Cap x 30



8 Slats x 30
(710 x 53mm)



9 Connector x 15

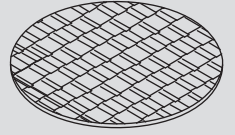
1

A

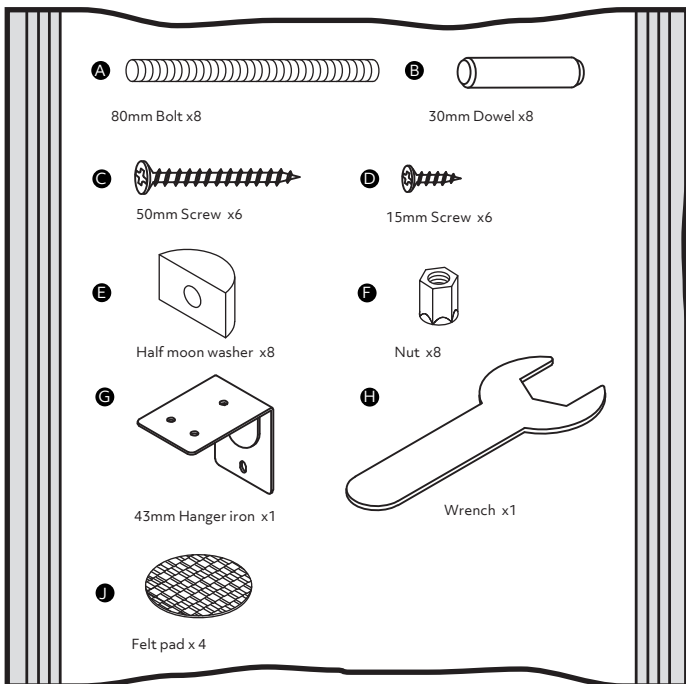
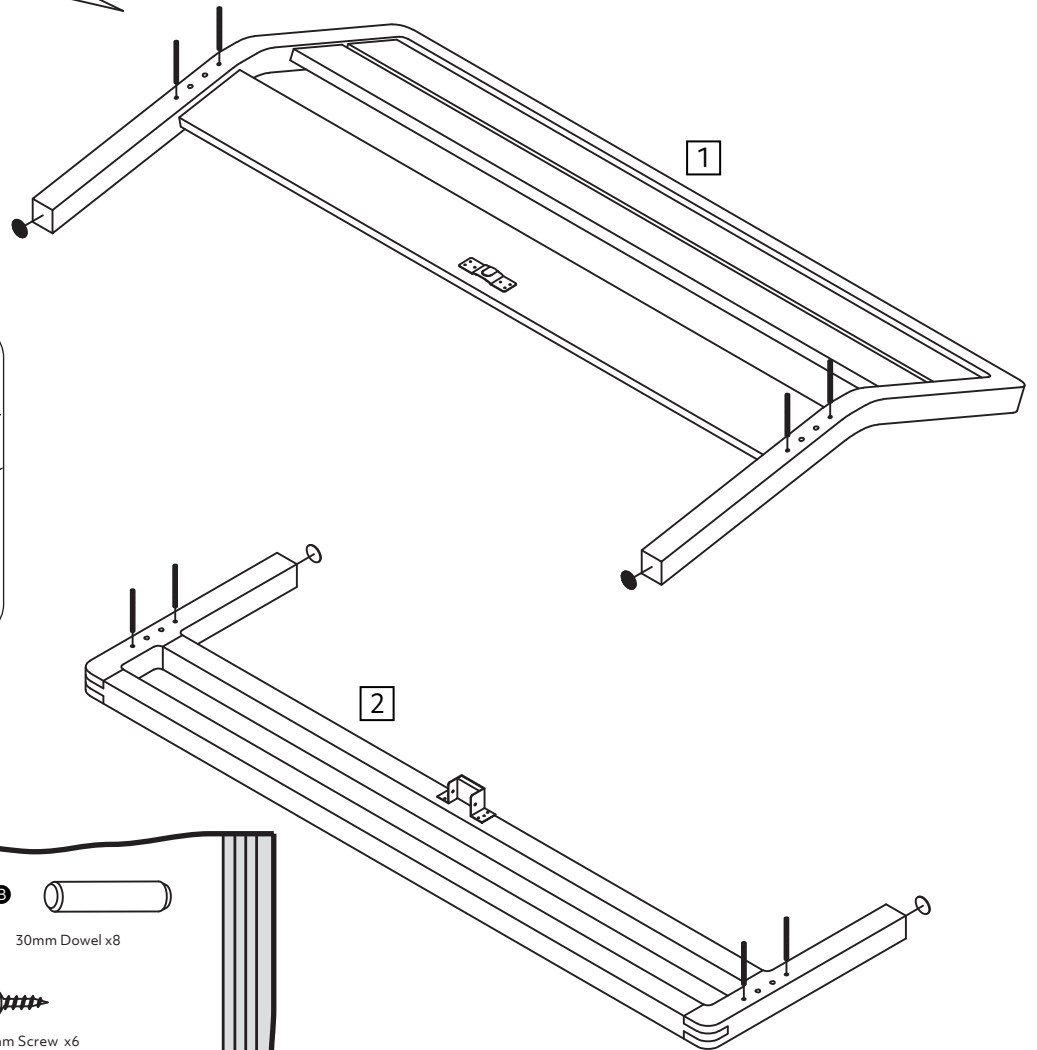
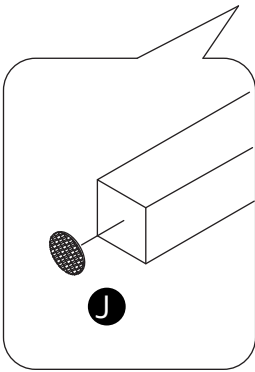
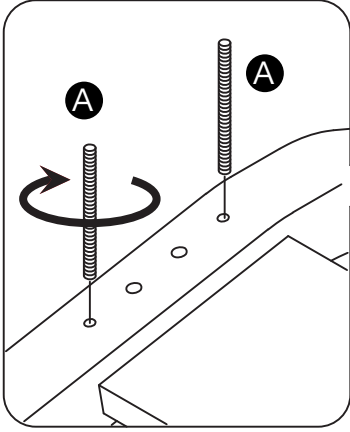


80mm Bolt x8

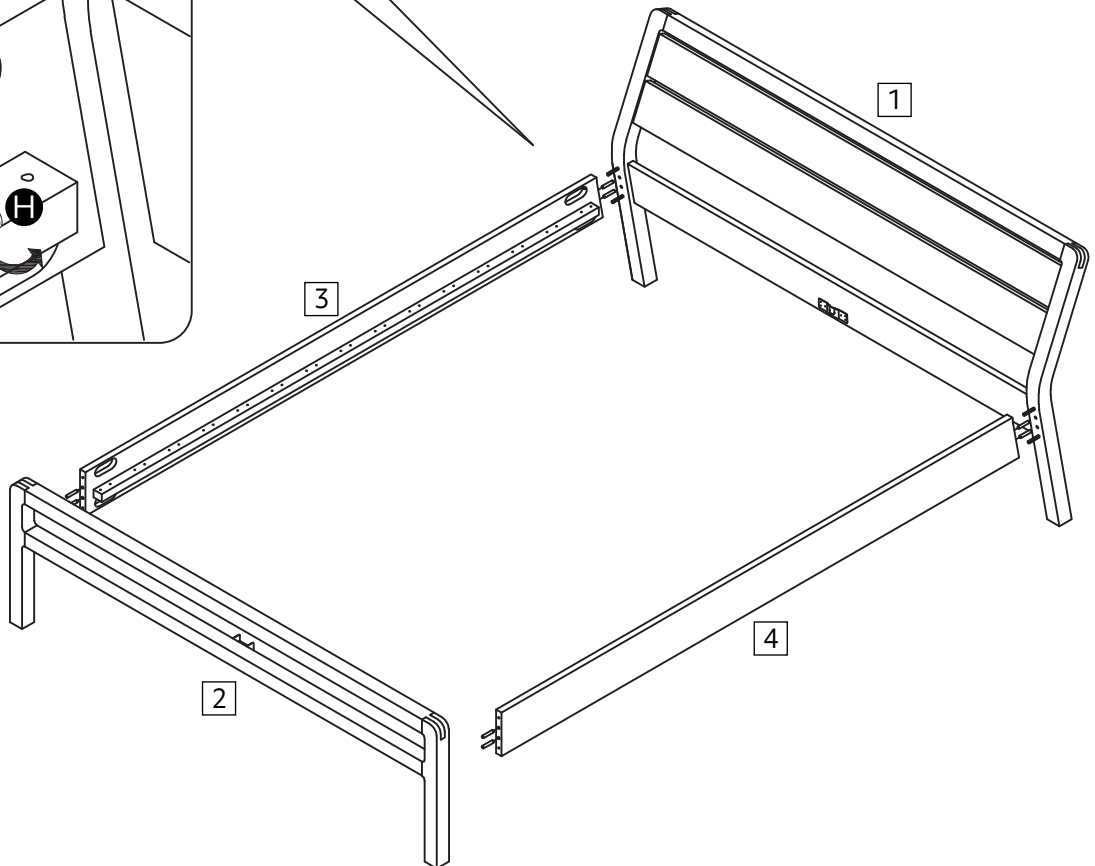
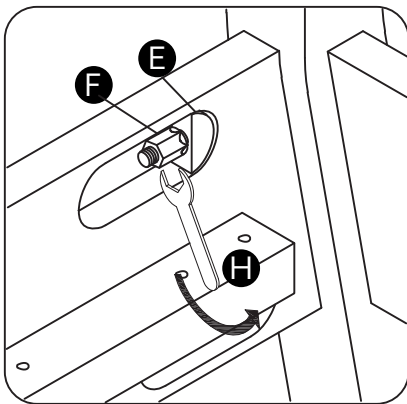
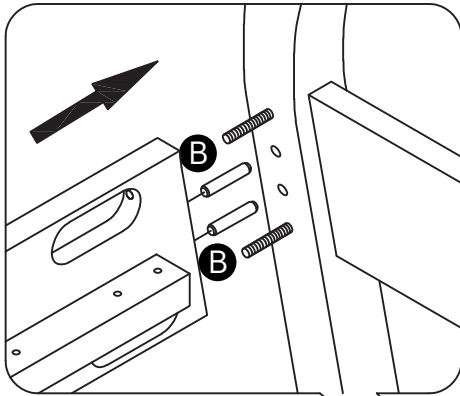
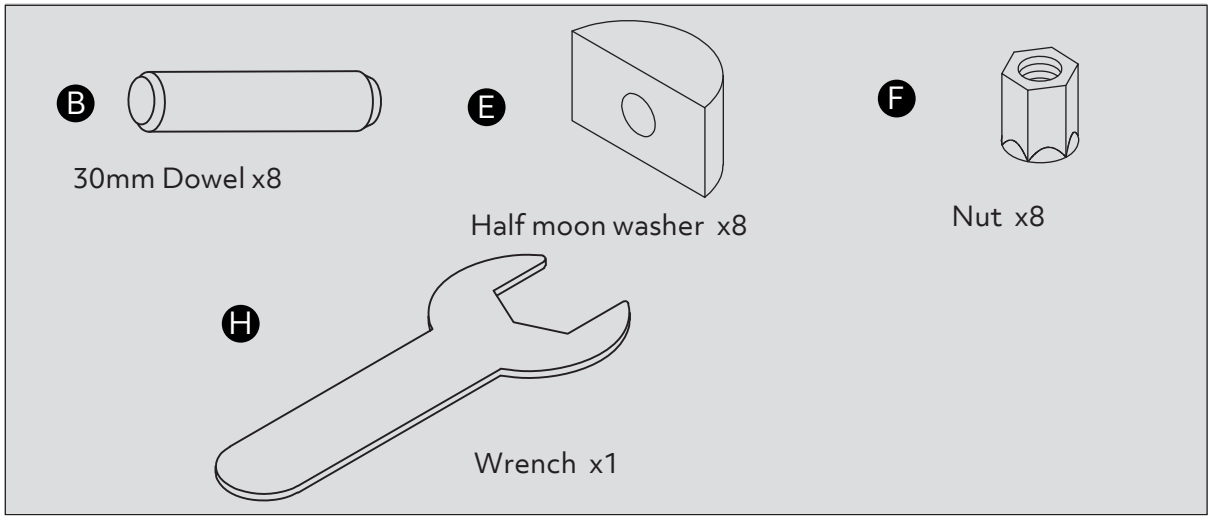
J



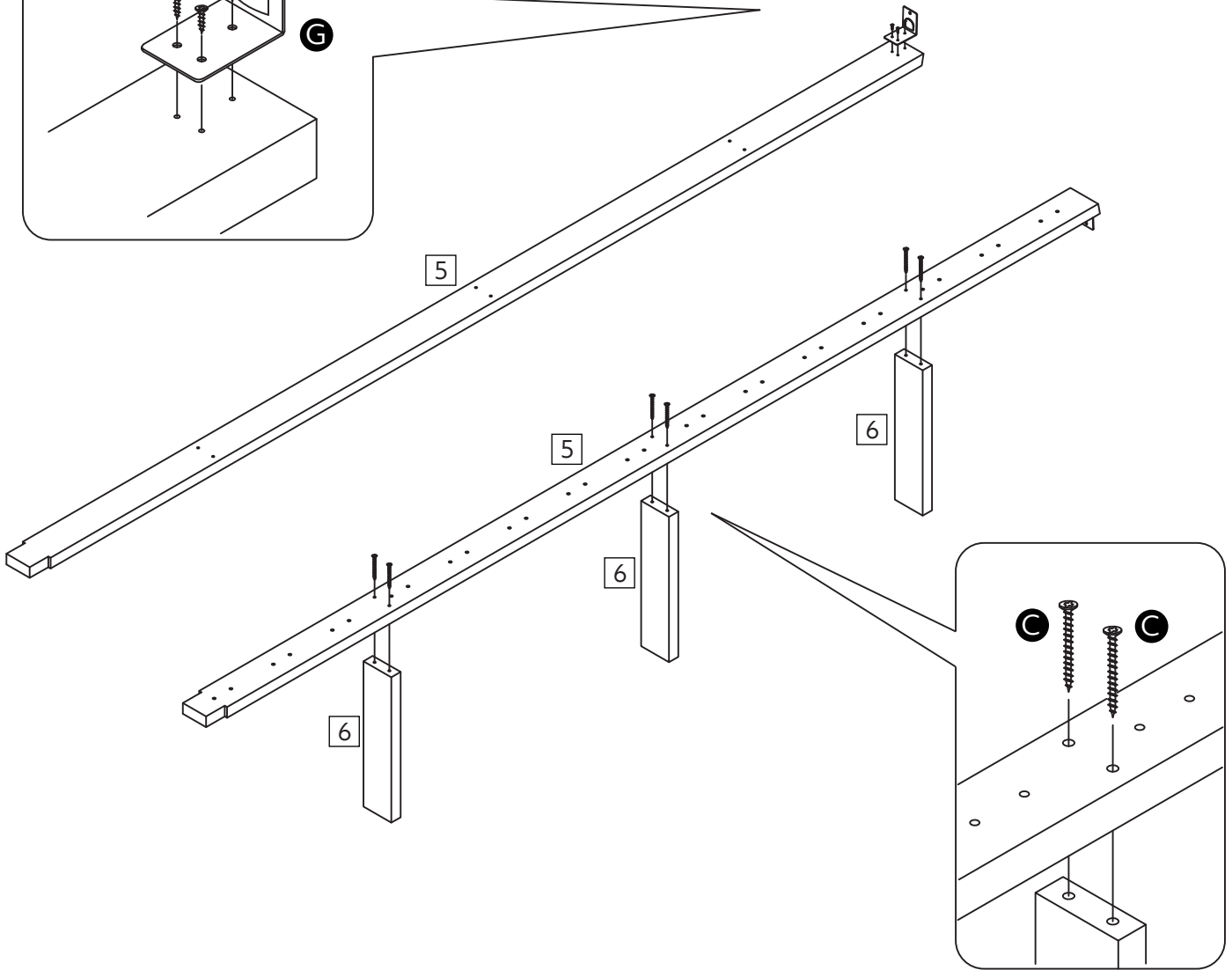
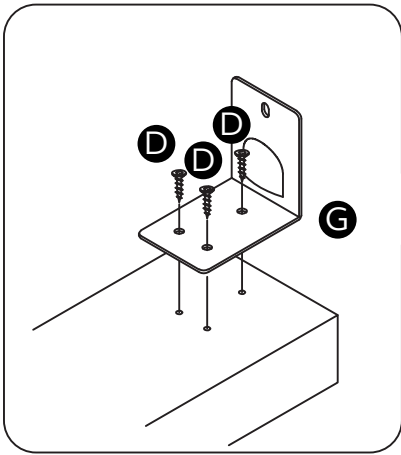
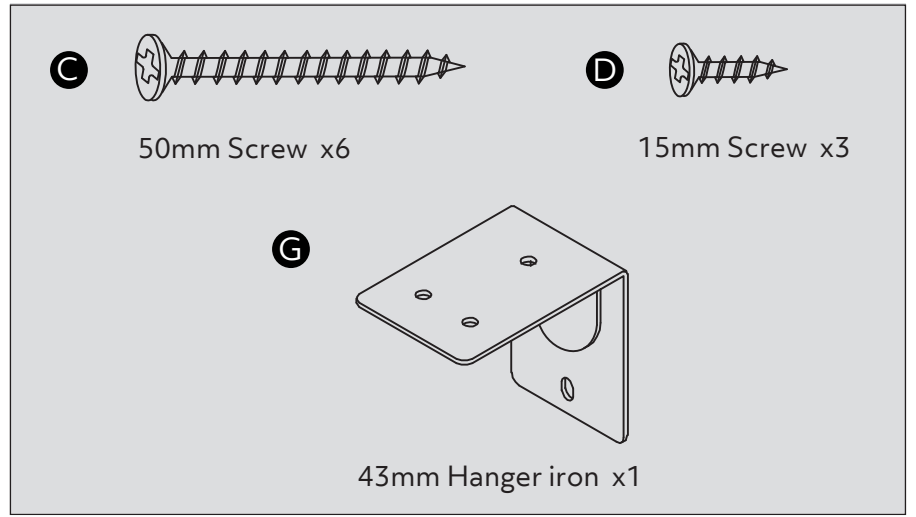
Felt pad x 4



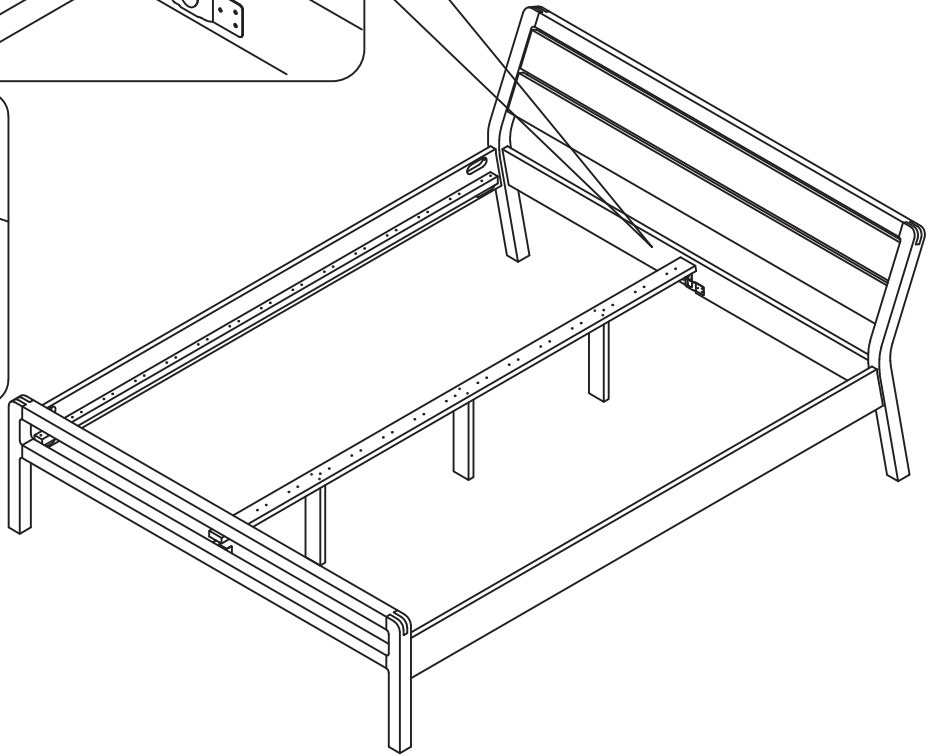
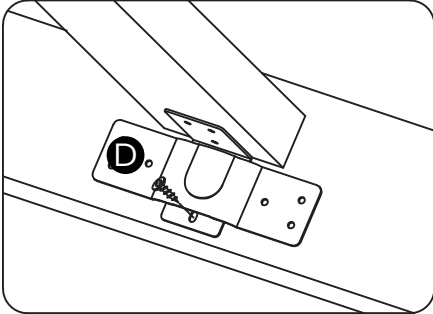
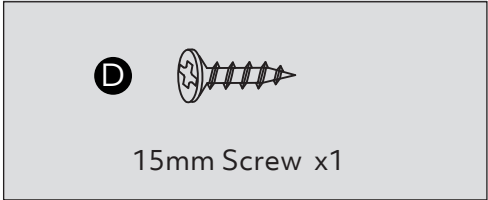
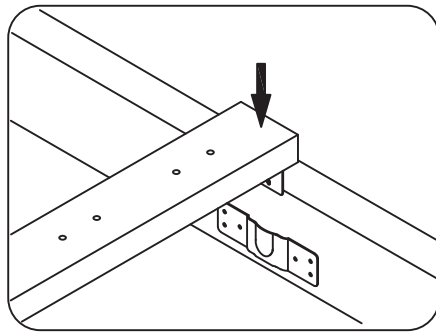
2



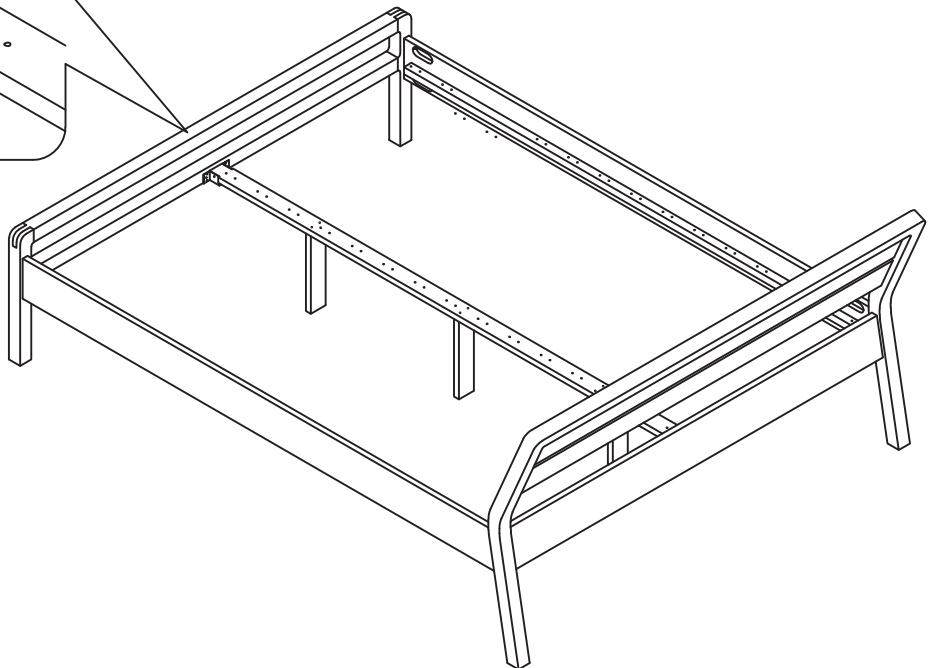
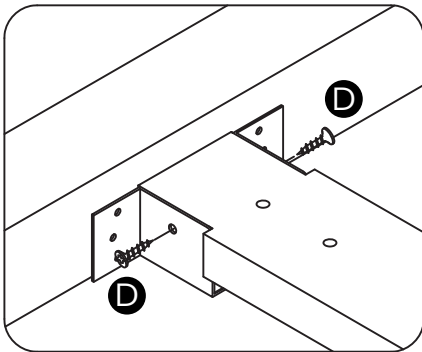
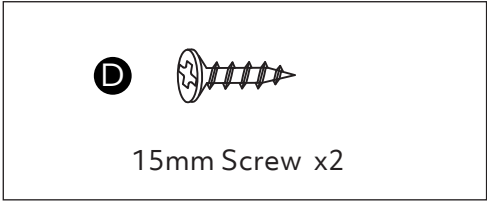
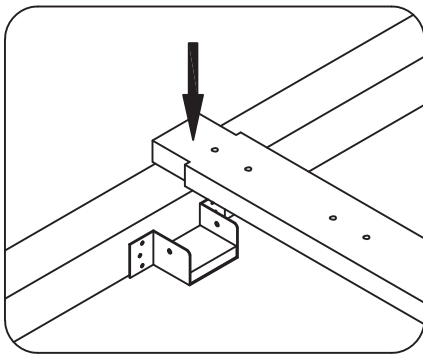
3



4

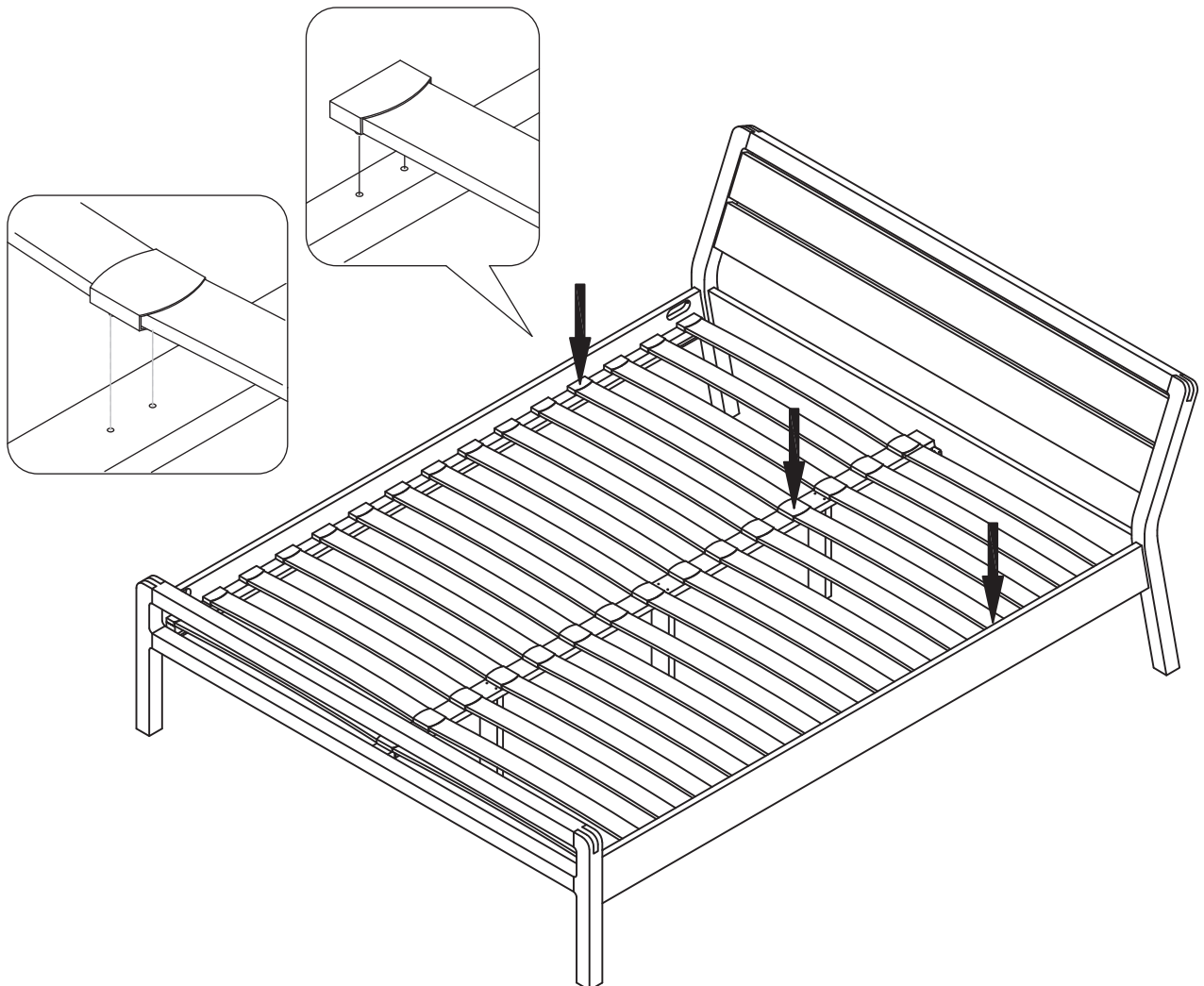
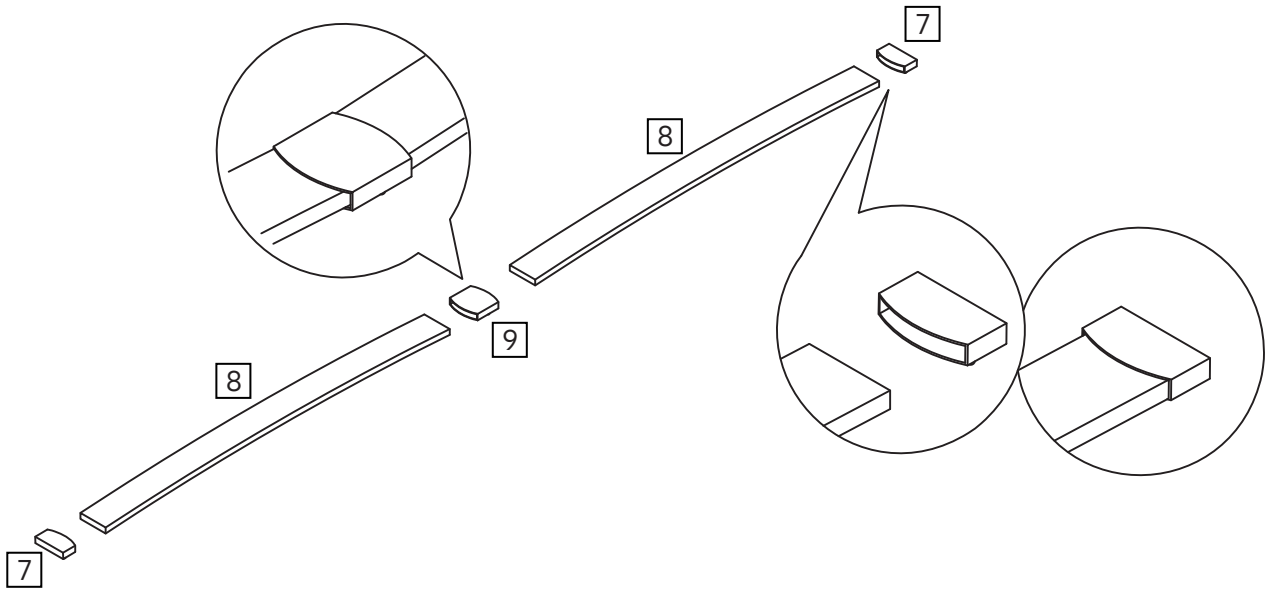


5

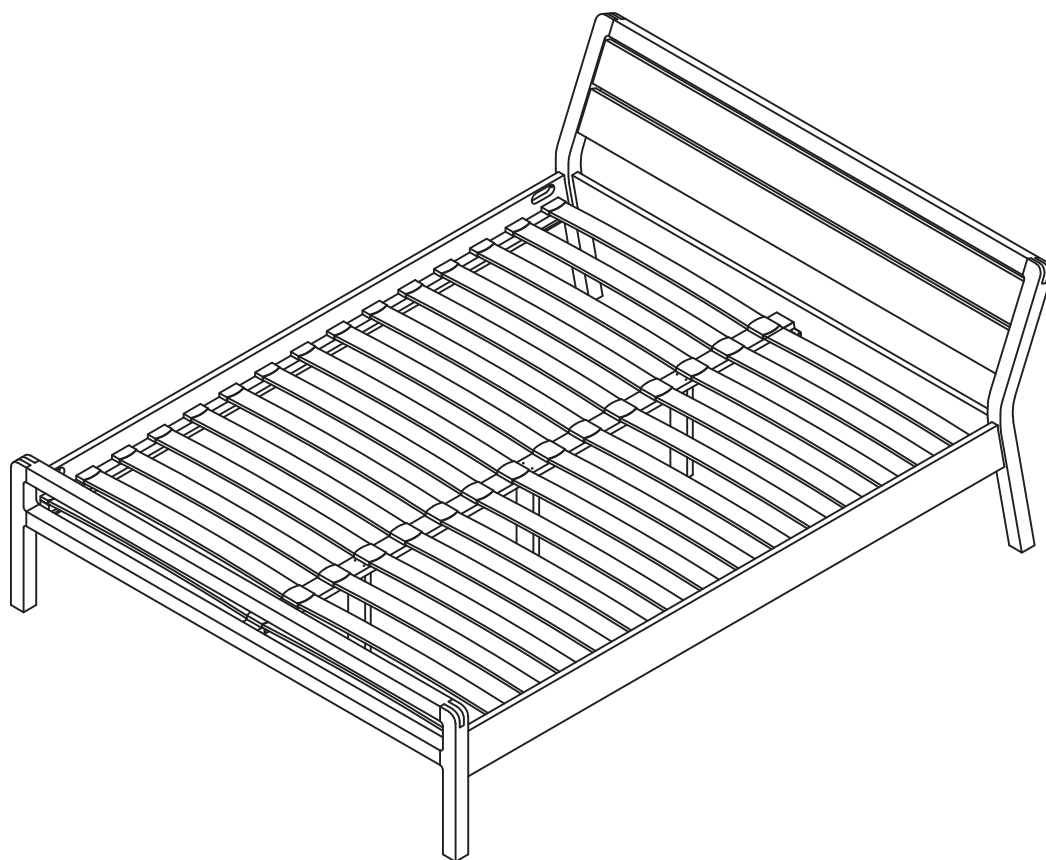


6

x15



7



Assembly is complete.