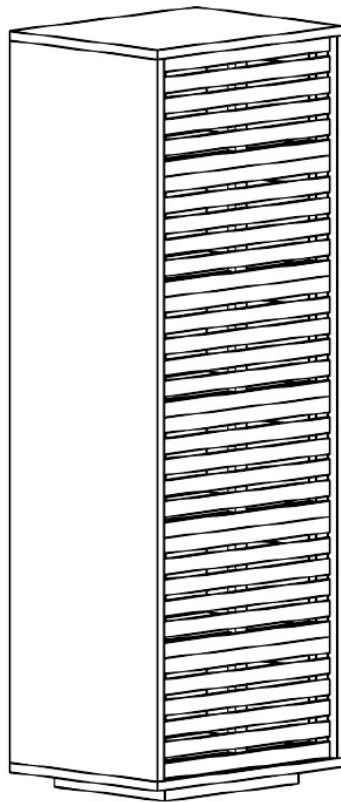
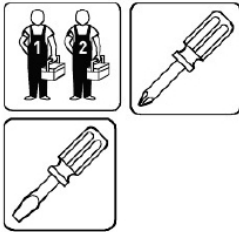


MAX
Tallboy

50 x39.5x122.8 cm

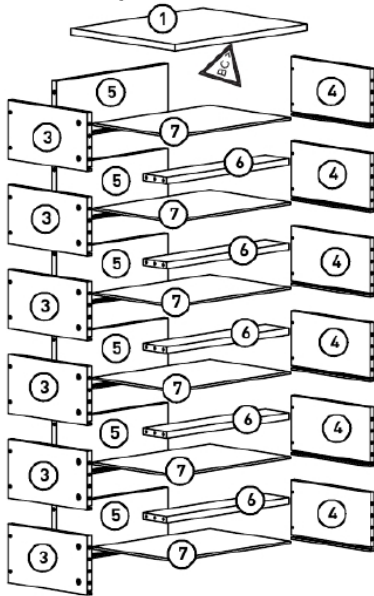
164452


MAX-TB-SS15-A

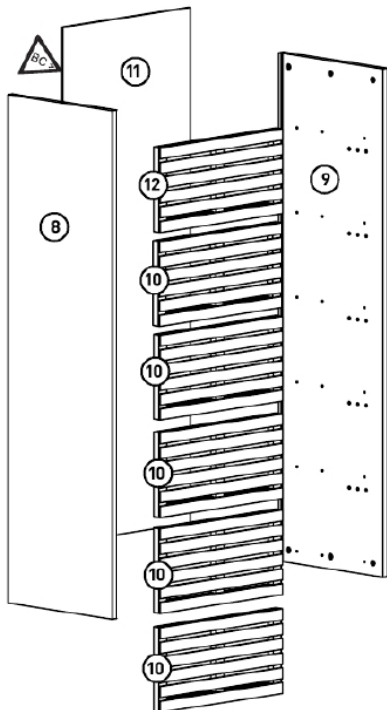
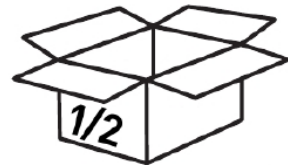
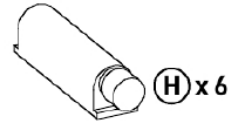
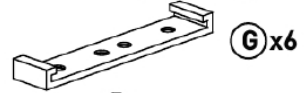
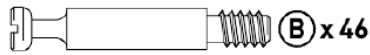
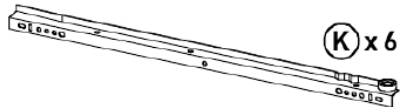
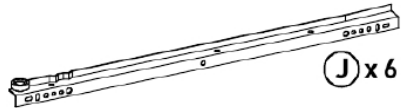


habitat 

Components



 Please retain batch code label



Assembly Instructions

Please keep safe for future reference

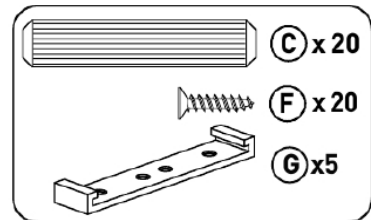
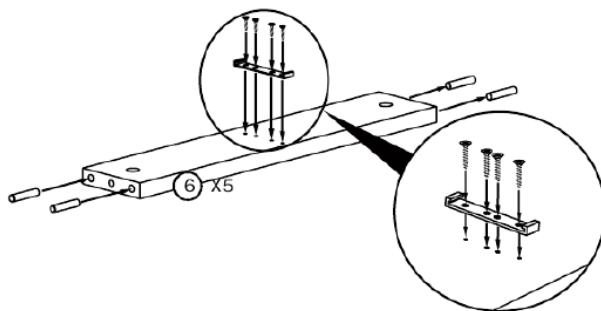
Before assembling the furniture please identify all component parts.

It would be sensible to assemble the furniture as close to its final position as possible.

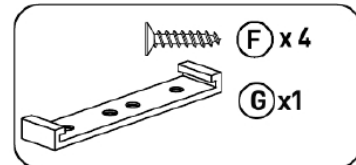
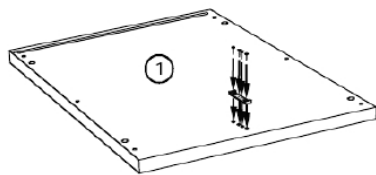
Do not place furniture directly in front of radiators, fires or any source of heat. Ensure the surface on which you are assembling the furniture is flat and clear of anything that might scratch it.

Check all packaging carefully for components and fittings before discarding it.

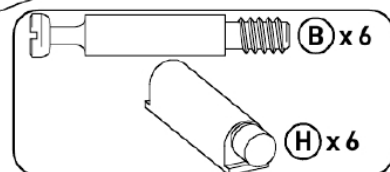
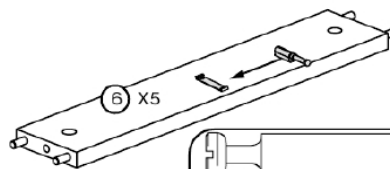
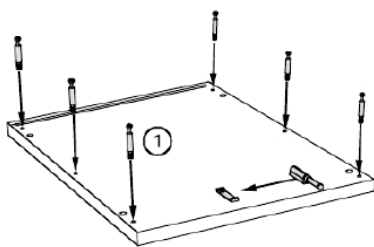
1



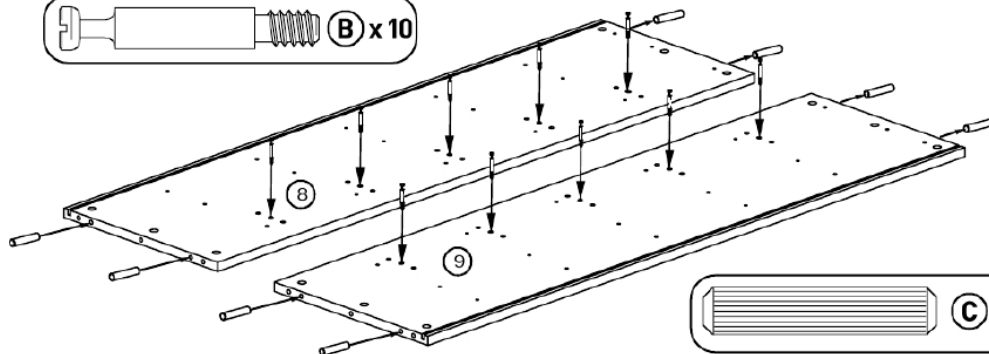
2



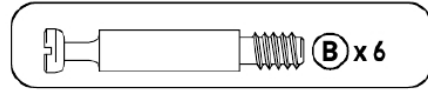
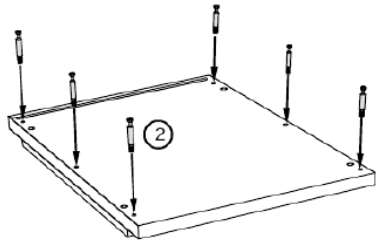
3



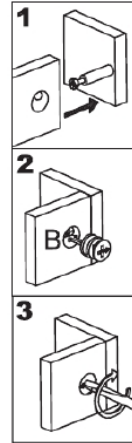
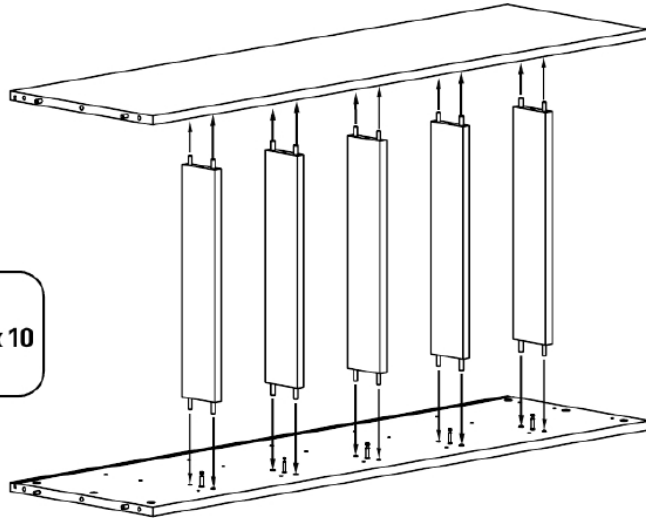
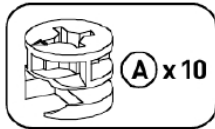
4



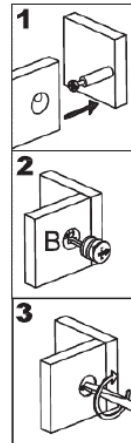
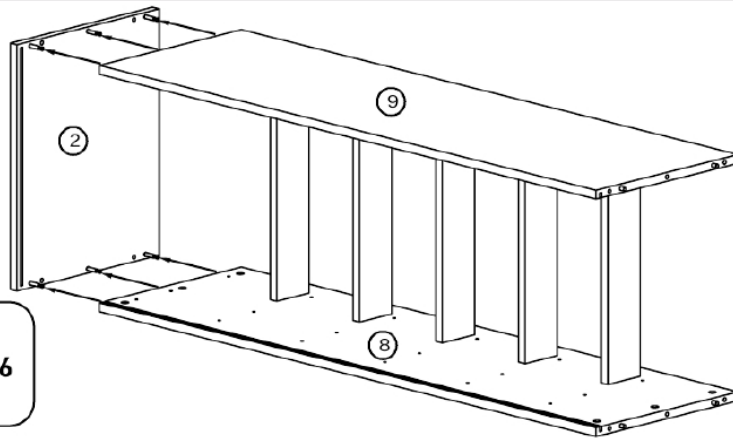
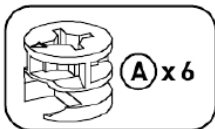
5



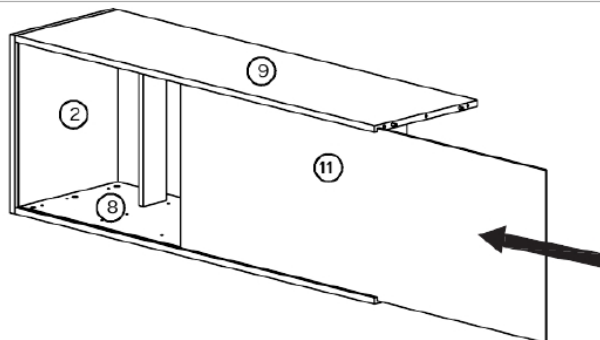
6



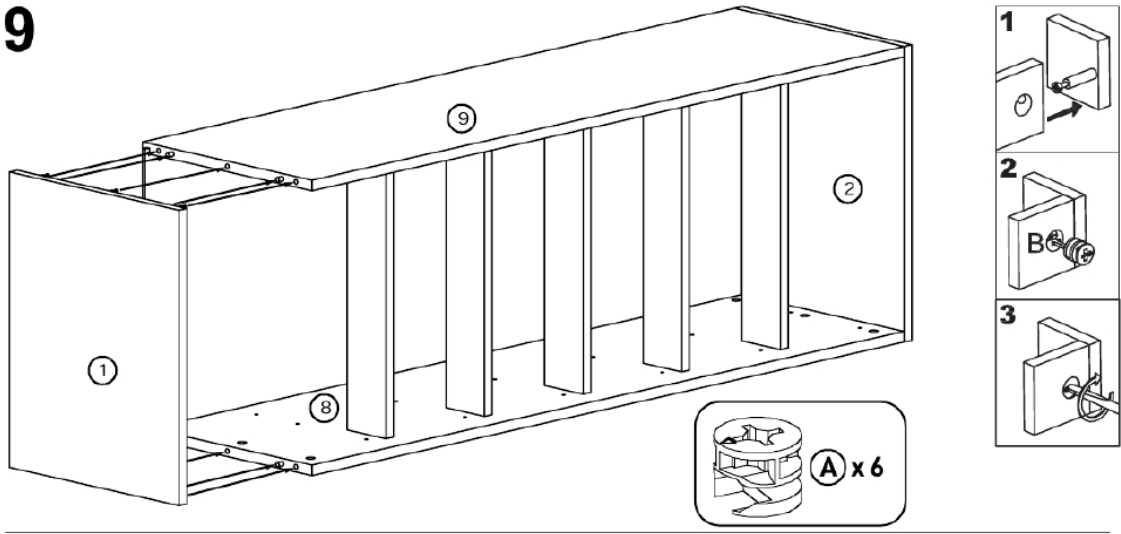
7



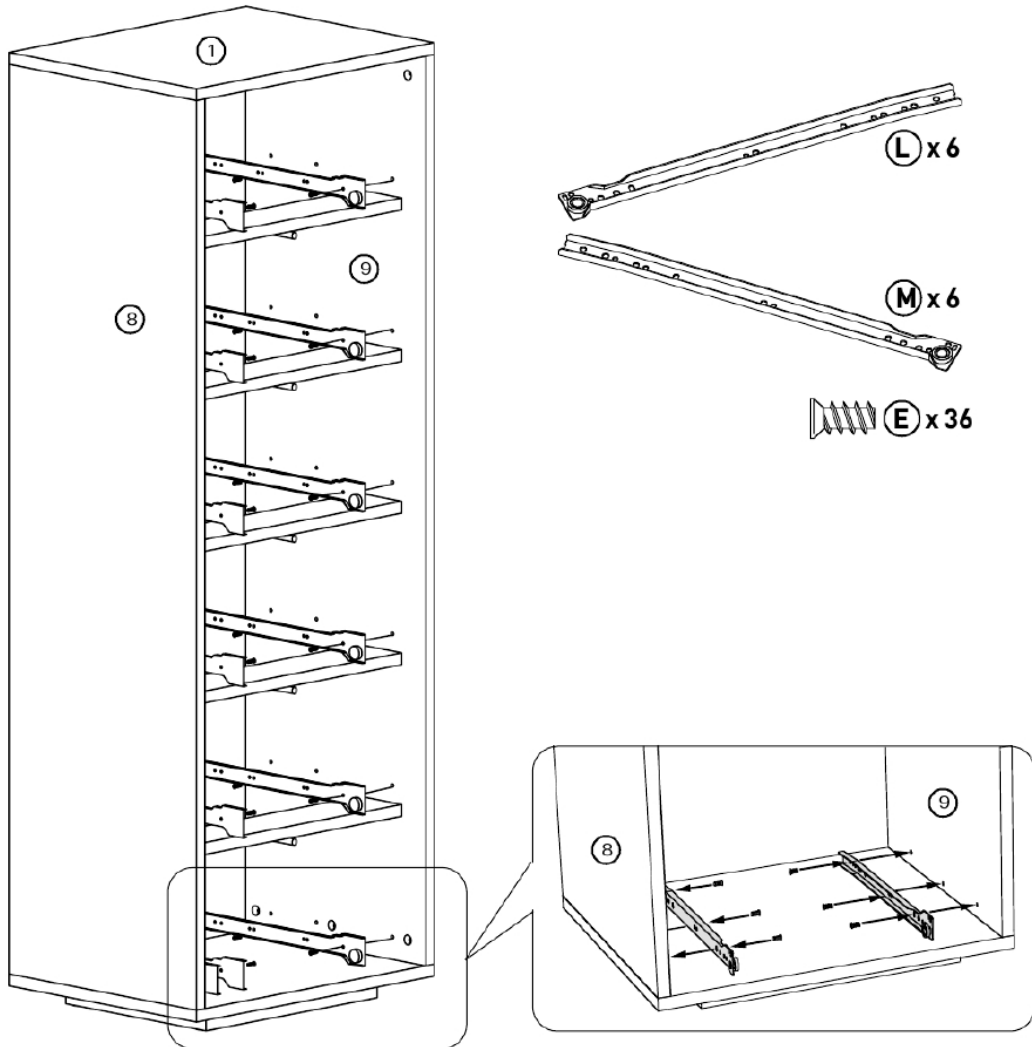
8

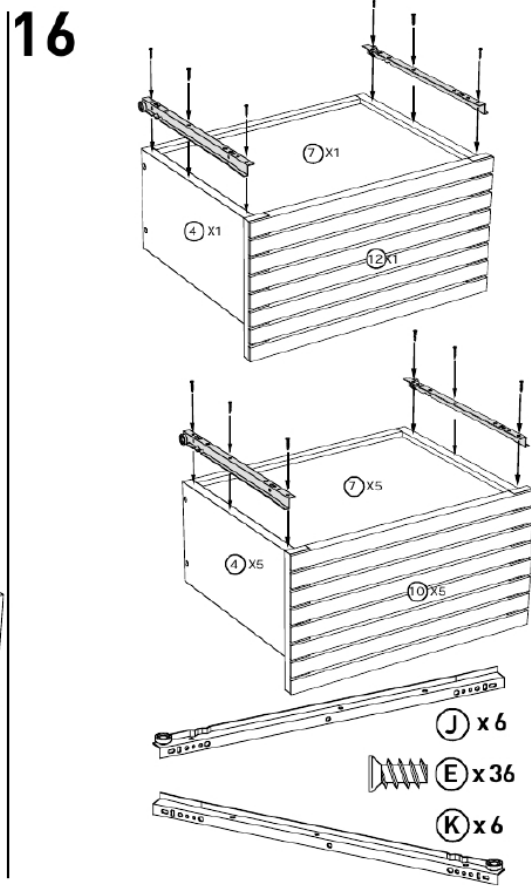
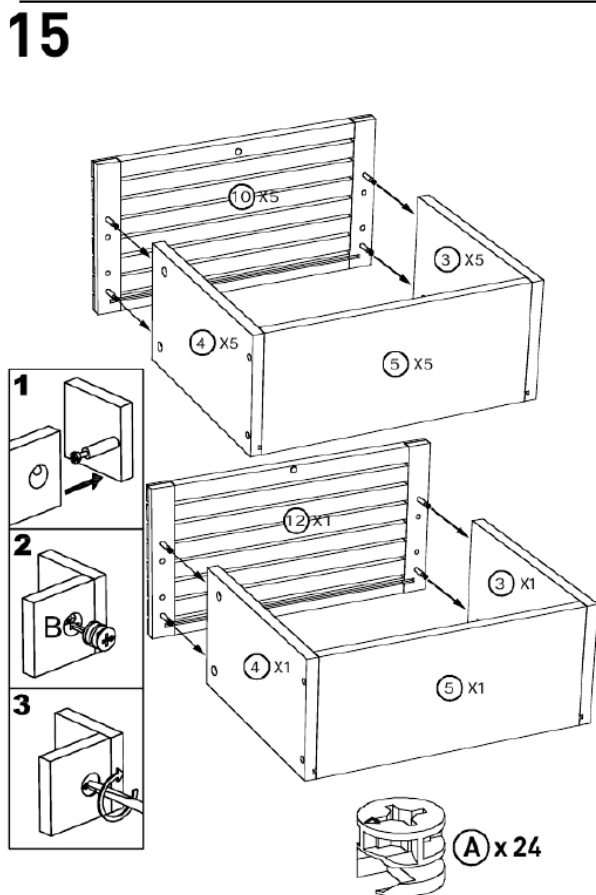
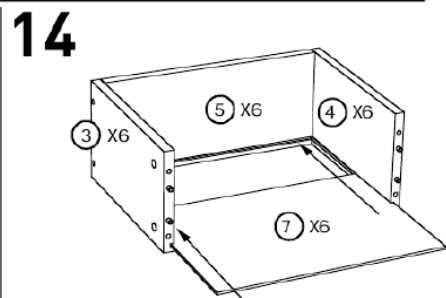
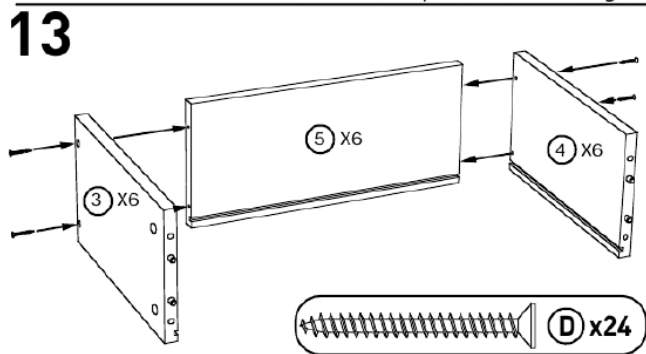
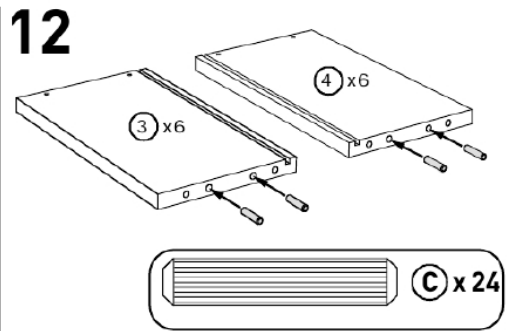
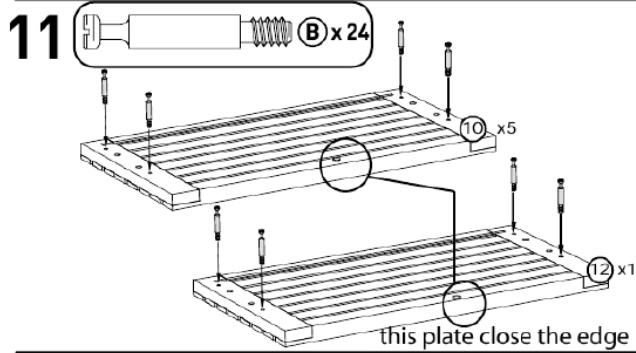


9

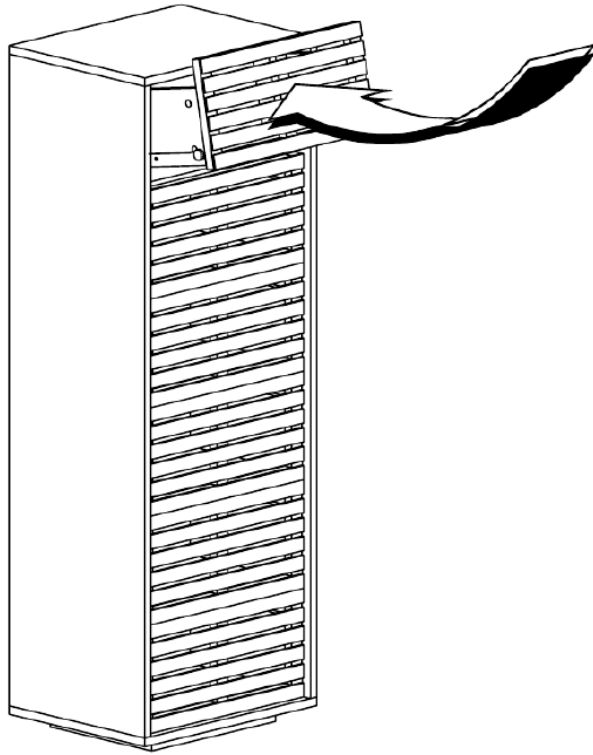


10

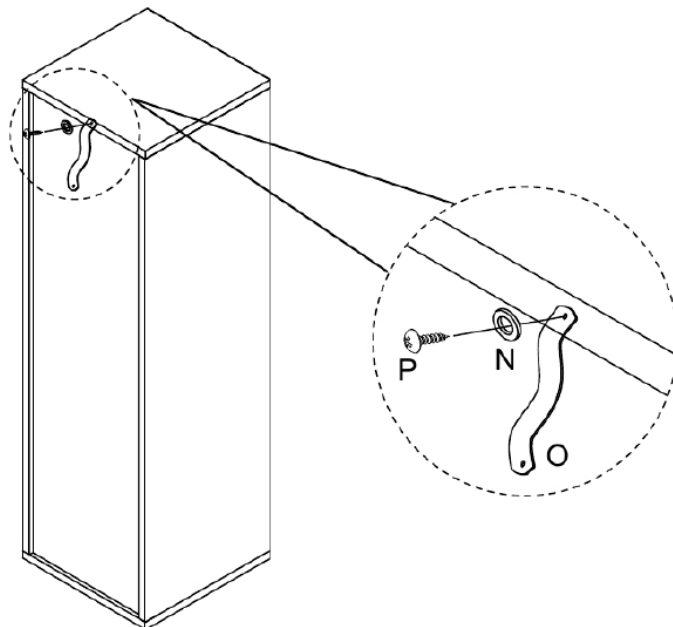




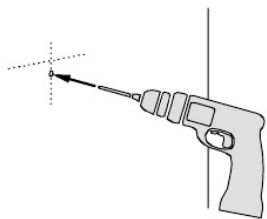
17



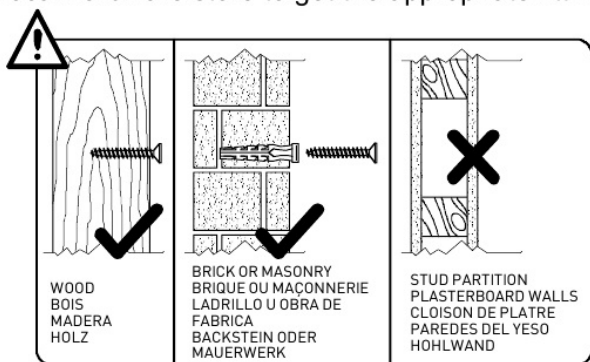
18



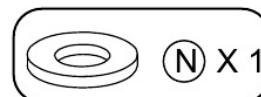
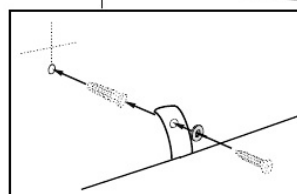
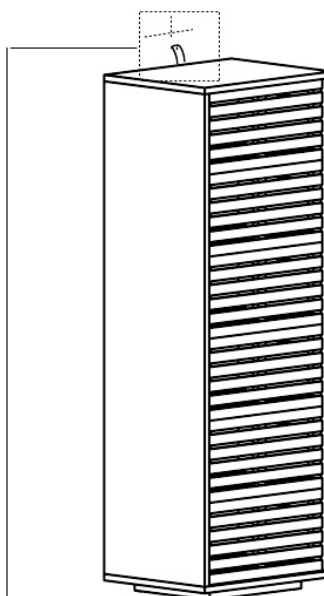
19



Because of the variety of different wall types, Habitat cannot provide you with the exact fittings to fix this product. It is necessary that you identify the type of wall you intend to fix this item onto and contact your local hardware store to get the appropriate fittings.



20



For more information please see Wall Mounting and Fittings section at the end of this document

Care Instructions

Cleaning of Solid Timber / Veneers and Lacquered Surfaces

Dust regularly with a clean dry cloth. Wipe up any spills immediately with a damp cloth and then dry the surface with a clean dry duster. Repeat this procedure for periodic cleaning. The use of furniture polish or spray is not necessary or recommended. Always use place mats and coasters to protect the surface from moisture and heat.

Reapply oil every year. Apply a generous coating of furniture oil to the outer panels.

Allow oil to absorb for 1-2 hours and wipe dry. Follow the oil manufacturers instructions.

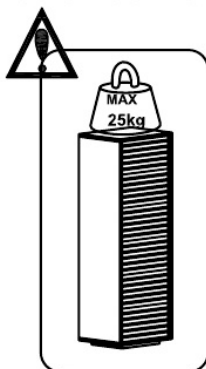
Do not oil the inside of the drawers.

If you need help or have received damaged or missing parts please email our customer services team at customerservices@habitat.co.uk or call them on 0344 499 4686 and they will be happy to help.

If you have any comments or suggestions regarding this product, its assembly instructions or the service you have received, please contact your nearest store or contact us directly via our website at www.habitat.co.uk .

Alternatively you can write to us at :-

Habitat Retail Ltd. 489 – 499 Avebury Boulevard, Milton Keynes MK9 2NW.



Warning!

Do not over load the drawers.

Do not open multiple drawers at once as this could destabilise the unit.

A Guide to - Wall Mounting & Fixings

Important note:

Wall Fixings:



- because of the variety of different wall types, Habitat cannot provide you with the exact fixings you will need to fix this product to the wall.


You must first identify the type of wall you intend to fix product onto and then contact your local hardware store to get the appropriate fixings.



Important: When drilling into walls always check that there are no hidden wires or pipes etc.

Make sure that the screws and wall plugs being used are suitable for supporting your unit. Consult a qualified tradesperson if you are unsure.

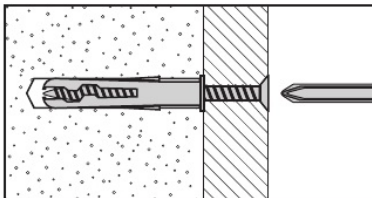
Hints:

- 1: General rule:**  Always use a larger screw and wall plug if you are not sure.
- 2:** Ensure you use the recommended drill bit to match the wall plug and hole size.
- 3:** Ensure you drill the hole horizontally, do not force the drill or enlarge the hole.
- 4:** Take extra care when drilling high walls, ceilings and ceramic tiles. Ensure wall plugs are inserted beyond the thickness of the ceramic tiles to avoid the tiles splitting or cracking.
- 5:** Ensure wall plugs are well fitted and are a tight fit in the drilled hole.

Types of walls

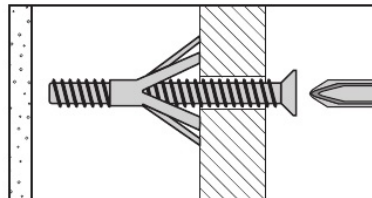
You can use one of the following types of wall plug if your walls are made of brick, breeze block, concrete, stone or wood.

No.1 "General Purpose" wall plug



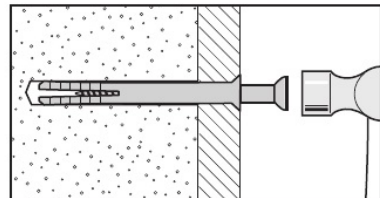
Generally aerated blocks should not be used to support heavy loads, use a specialist fitting in this case. For light loads, general purpose wall plugs can be used.

No.3 "Cavity Fixing" wall plug



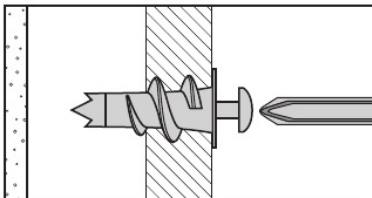
For use with plasterboard partitions or hollow wooden doors.

No.5 "Hammer Fixing" wall plug



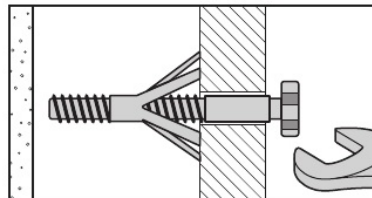
For use with walls stuck with plasterboard. The hammer fixing allows it to be fixed to the wall rather than the plasterboard. Always check the fixing is secure to the retaining wall.

No.2 "Plasterboard" wall plug



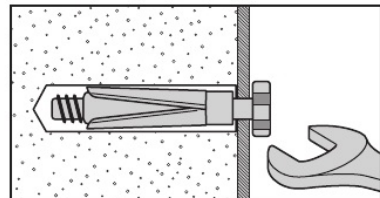
For use when attaching light loads on to plasterboard partitions.

No.4 "Cavity Fixing-Heavy Duty" wall plug



For use when fitting or supporting heavy loads such as shelving, wall cabinets and coat racks.

No.6 "Shield Anchor" wall plug Heavy loads



For use with heavier loads such as TV & HiFi speakers and satellite dishes etc.



Care & Maintenance

Safety: Always check the fitting and location to ensure your safety in and around the home.

Fitting: From time to time check the fitting to ensure the wall plugs or screws do not become loose.