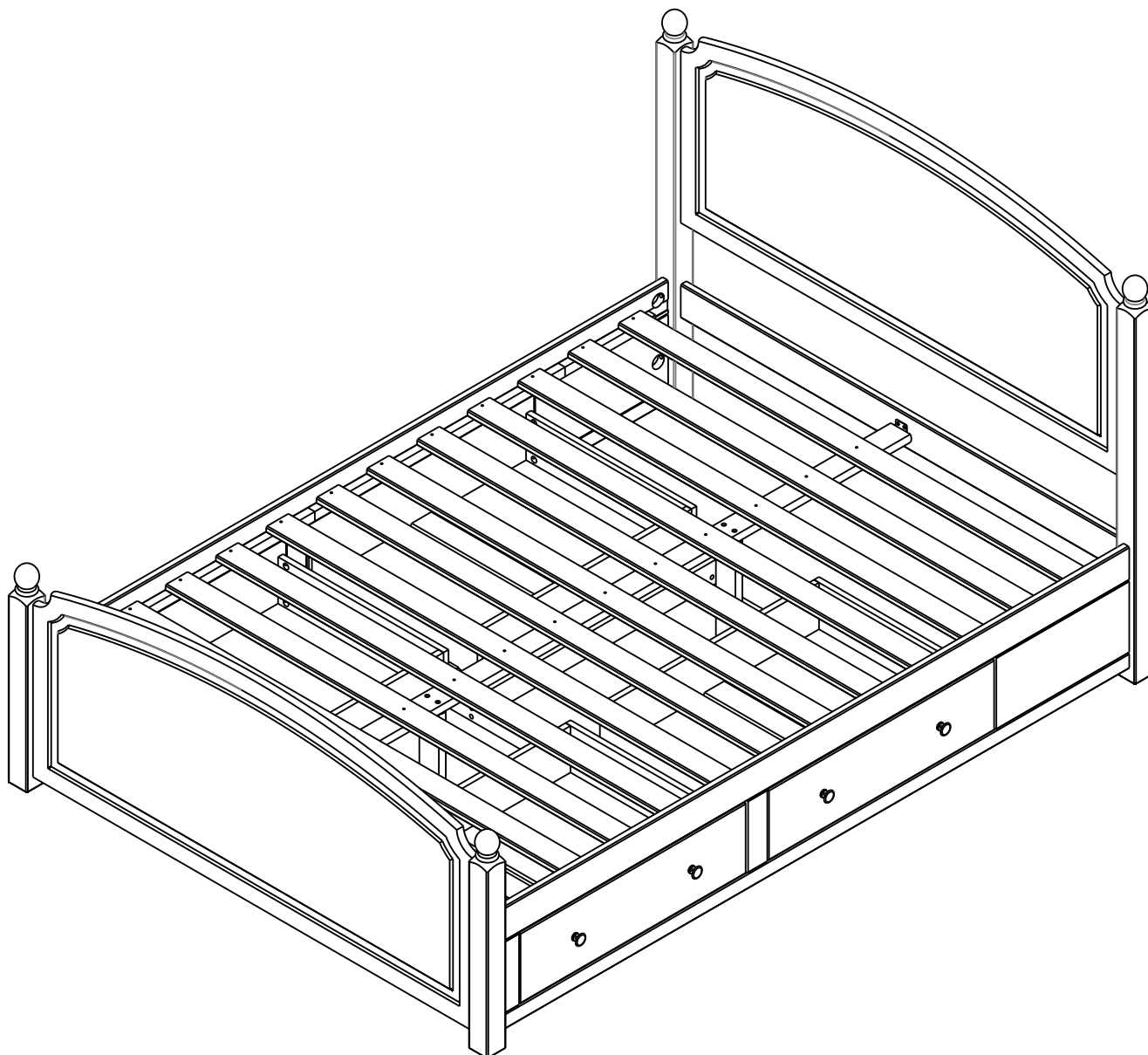


Emberton




Spare Parts

 www.argos-support.co.uk

 Help@ClickSpares.co.uk

 0370 112 1928

Customer Support

 0345 640 2020



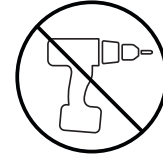
Safety and Care Advice

Product Details 4ft6 Pine : 934/ 2501

IMPORTANT! KEEP IT FOR FUTURE REFERENCE: READ CAREFULLY.

- Keep children and animals away from the work area, small parts could choke if swallowed.
- Make sure you have enough space to layout the parts before starting.
- This product has been constructed to be used in the domestic environment only and not for commercial purpose.

- Assemble the item as close to its final position (in the same room) as possible.
- Assemble on a soft level surface to avoid damaging the unit or your floor.



- We do not recommend the use of power drill/drivers for inserting screws as this could damage the unit. Only use hand screwdrivers.
- Parts of the assembly will be easier with 2 people.
- Dispose of all packaging carefully and responsibly.

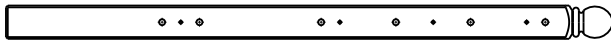
Care and maintenance

- Only clean using a damp cloth and mild detergent. Do not use abrasive cleaners.
- Use a dry cloth to clean the product, furniture polish is not recommended.
- From time to time check that there are no loose screws, nuts or bolts. If there are please re-tighten.
- This product should not be discarded with household waste. Take to your local authority waste disposal centre.

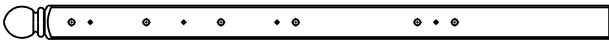
Additional Guidance

- Assemble all parts and bolts loosely during assembly, only once the product is complete should you fully tighten the bolts.
- Regularly check and ensure that all bolts and fittings are tightened properly.
- Maximum user weight 100 kgs x 2 users.

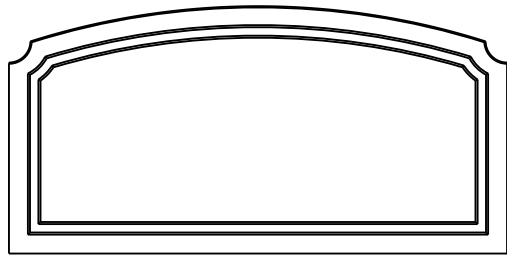
Panels



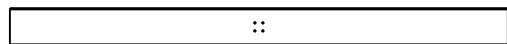
1 Left headboard foot (1040 x 57mm)



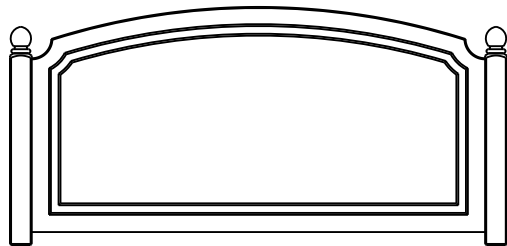
2 Right headboard foot (1040 x 57mm)



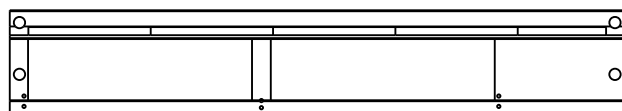
3 Headboard Panel (1334 x 588mm)



4 Headboard rail (1334 x 89mm)



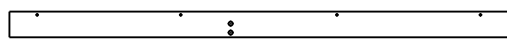
5 Footboard (1448 x 615mm)



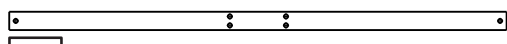
6 Left side rail (1900 x 320mm)



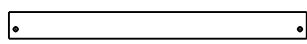
7 Right side rail (1900 x 320mm)



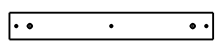
8 Bottom side bar (x2) (1373 x 63mm)



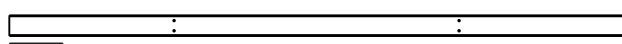
9 Bottom central bar (1373 x 45mm)



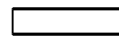
10 Bottom support (x2) (704 x 63mm)



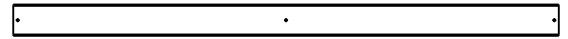
11 Runner (x2) (480 x 63mm)



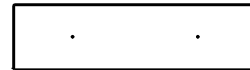
12 Central rail (1932 x 65mm)



13 Middle support (x2) (271 x 63mm)



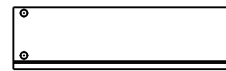
14 Slats (x12) (1370 x 70mm)



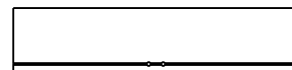
15 Drawer front (x4) (686 x 183mm)



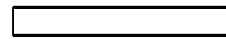
16 Drawer right side (x4) (500 x 140mm)



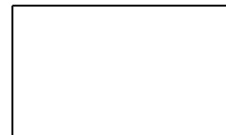
17 Drawer left side (x4) (500 x 140mm)



18 Drawer back (x4) (632 x 140mm)



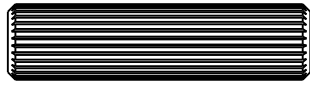
19 Drawer bottom support (x4) (485 x 63mm)



20 Drawer bottom (x8) (497 x 295mm)

Fittings

A



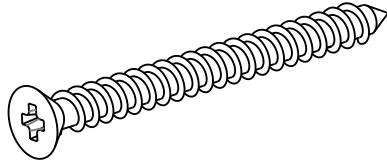
Large wooden dowel x 44
10 x 40mm

B



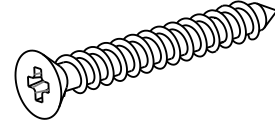
3.5 x 16mm Screw x 60

C



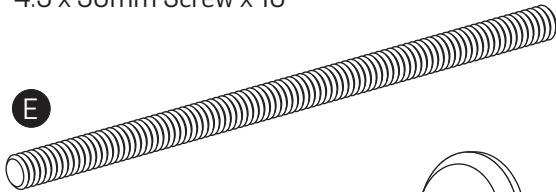
4.5 x 50mm Screw x 10

D



4 x 35mm Screw x 36

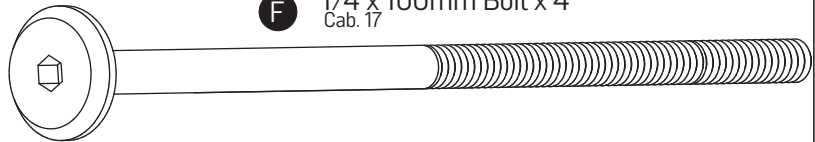
E



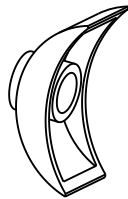
Headless bolt 1/4 x 70mm x 4

F

1/4 x 100mm Bolt x 4
Cab. 17



G



Half moon nut 1/4 x 4

H



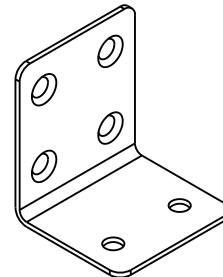
Nut 1/4 x 4

I



6 x 7mm Screw x 16

J



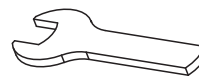
Metal bracket x 2

K



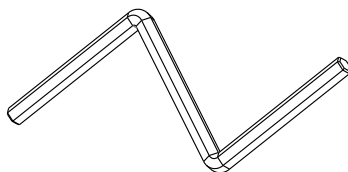
Washer x 4

L



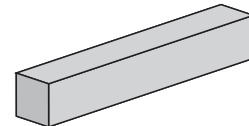
Spanner

M



Allen key x 1

N

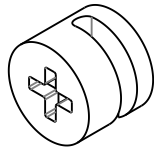


82mm Spacer x 2

Fittings

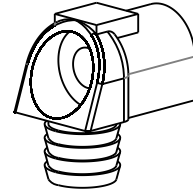
O

Large Locking nut x 24



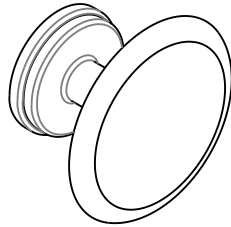
P

Plastic bracket x 12



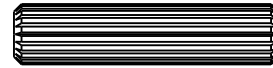
Q

Drawer handle x 8



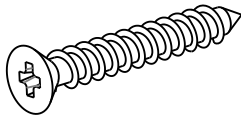
R

Thin wooden dowel x 32
8 x 35mm



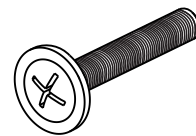
S

4 x 30mm Screw x 28



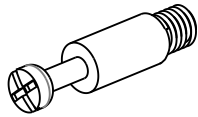
T

M4 x 25 bolt x 8



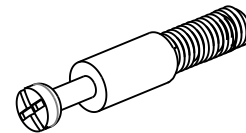
U

Small Metal dowel x 16



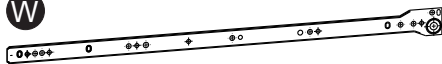
V

Large Metal dowel x 8



W

Right side runner x4



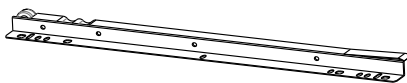
X

Left side runner x4



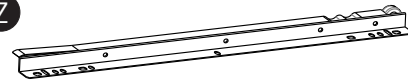
Y

Drawer right side runner x4

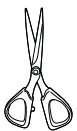


Z

Drawer left side runner x4



Tools required



Scissors



Phillips screwdriver
(small & medium)

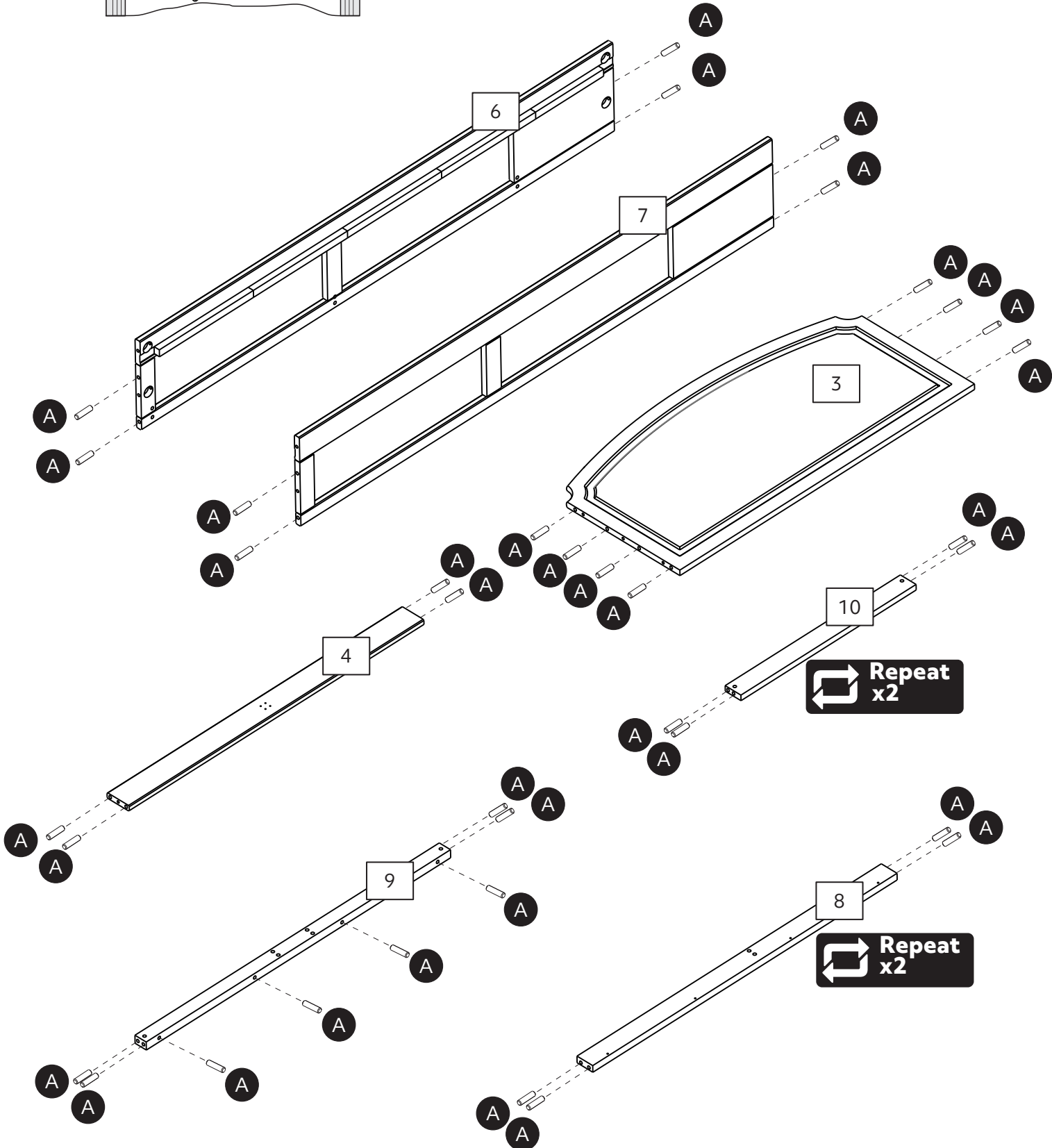
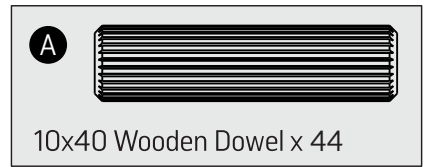
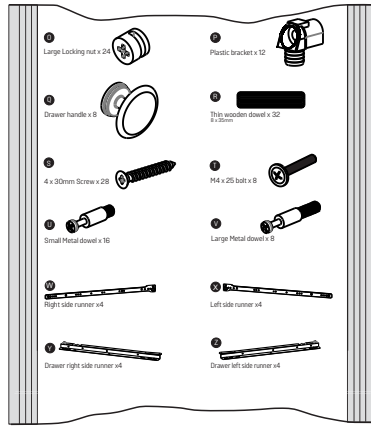
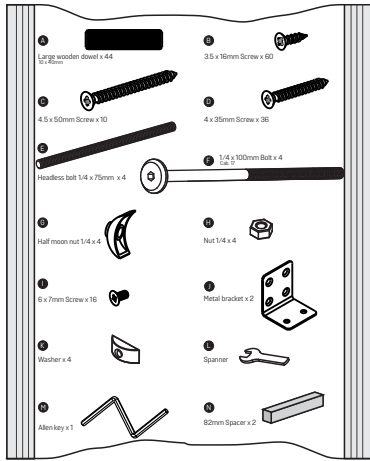


Small
hammer

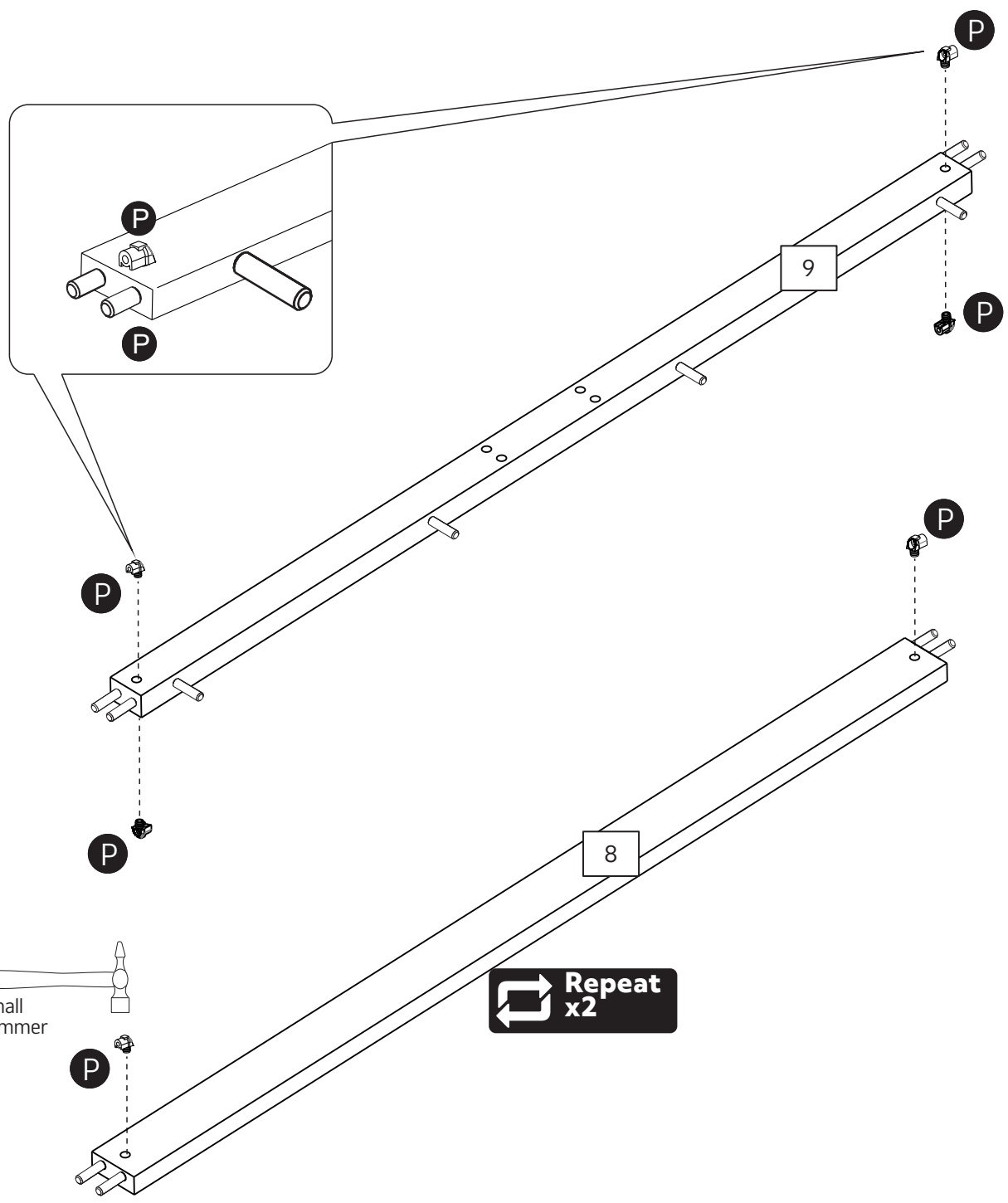
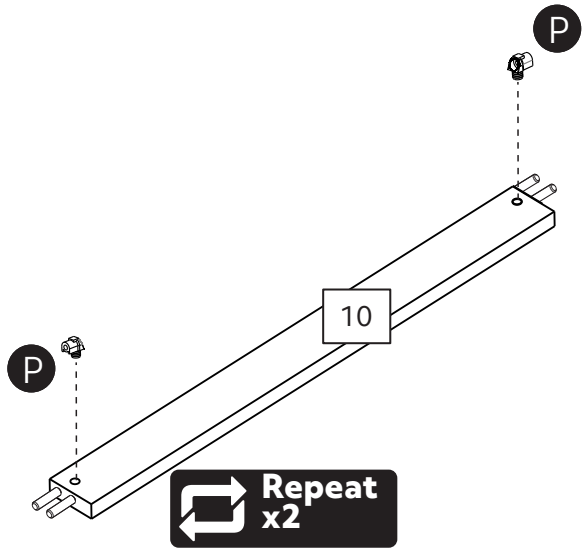
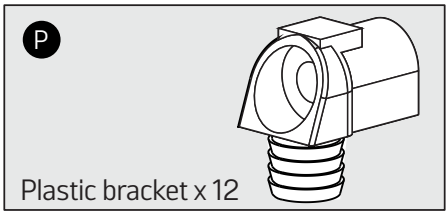


Eye protection
(when using a
hammer or glue)
(when using a

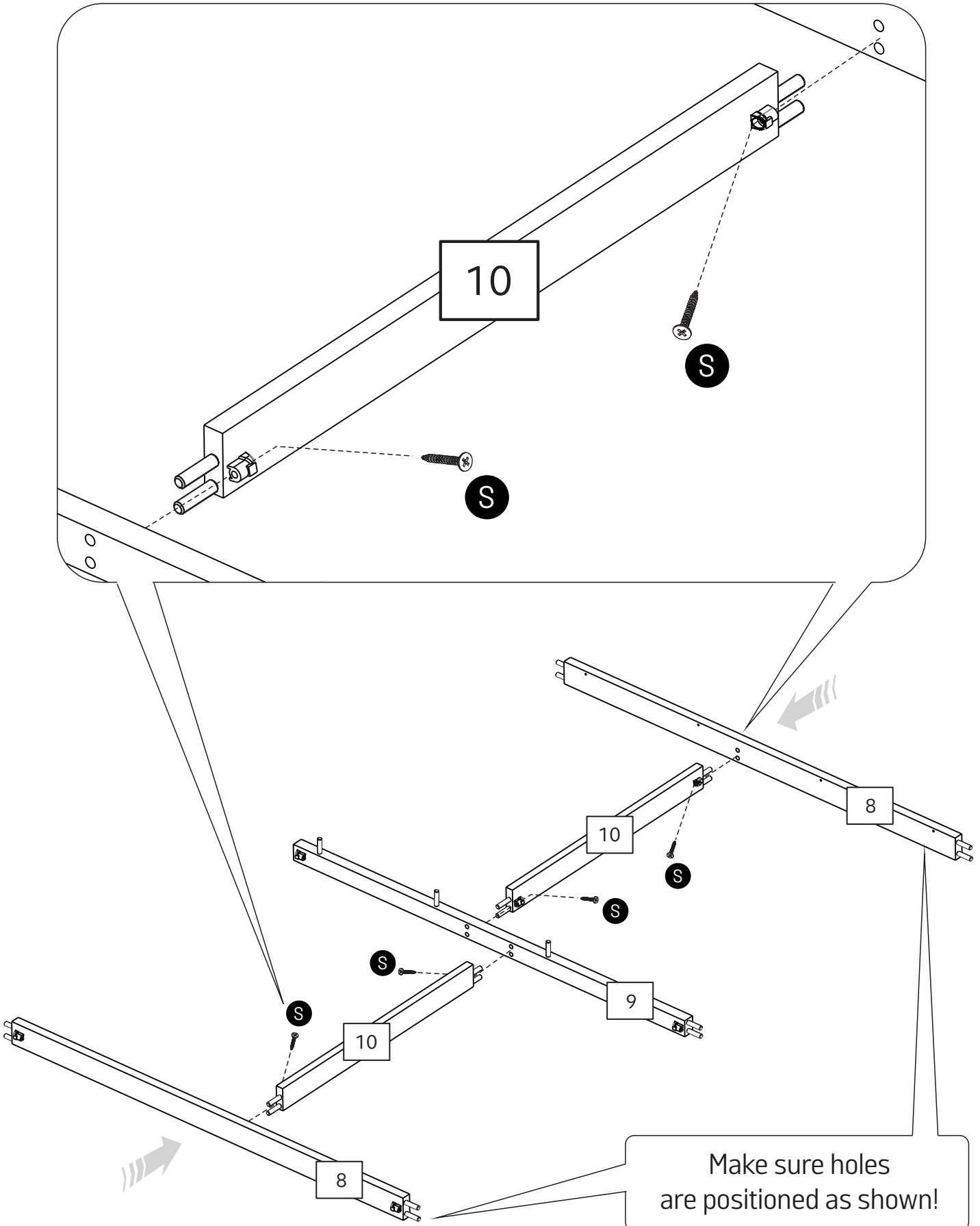
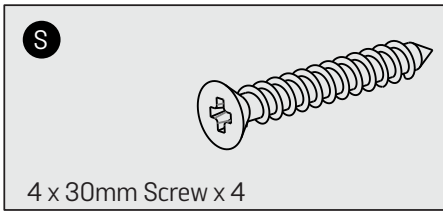
1



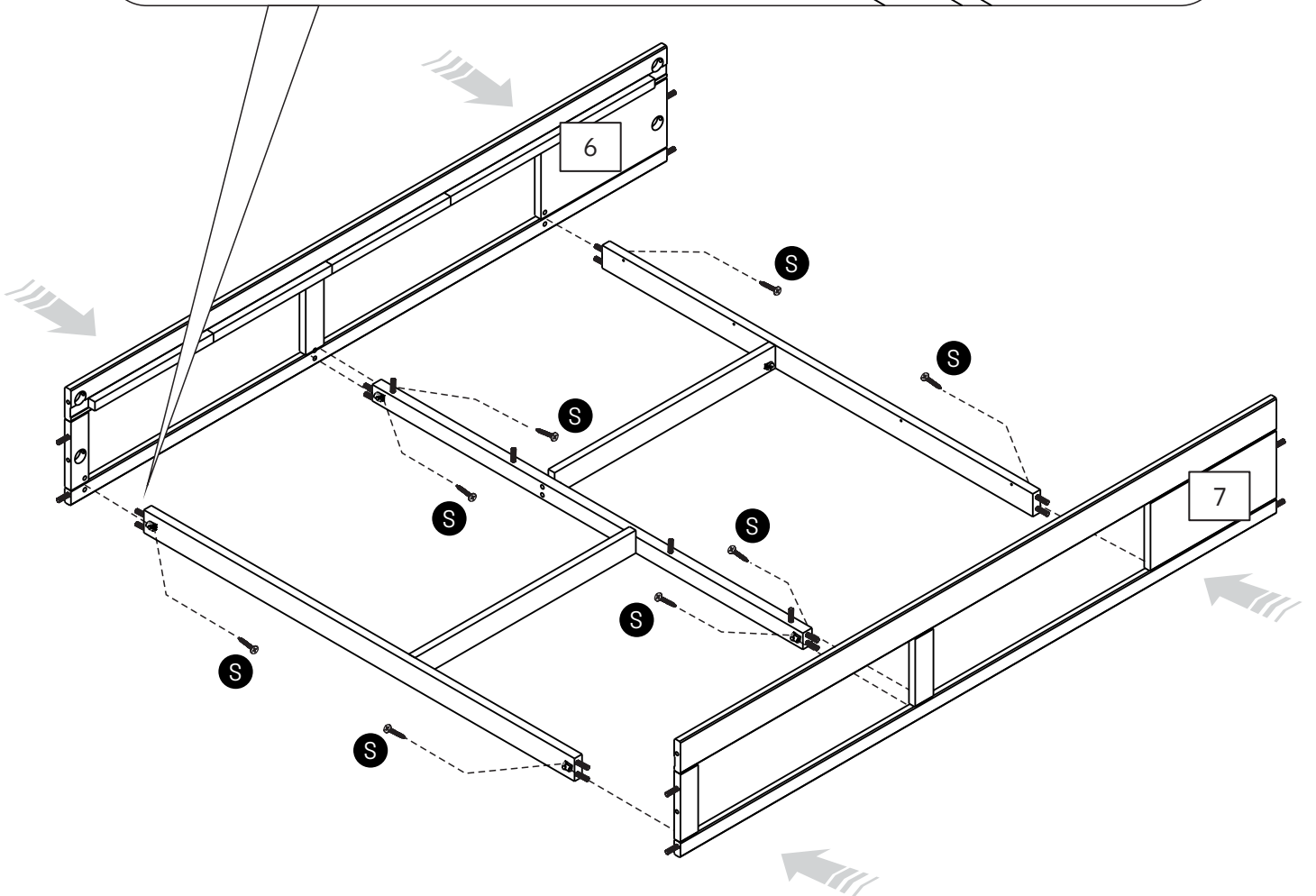
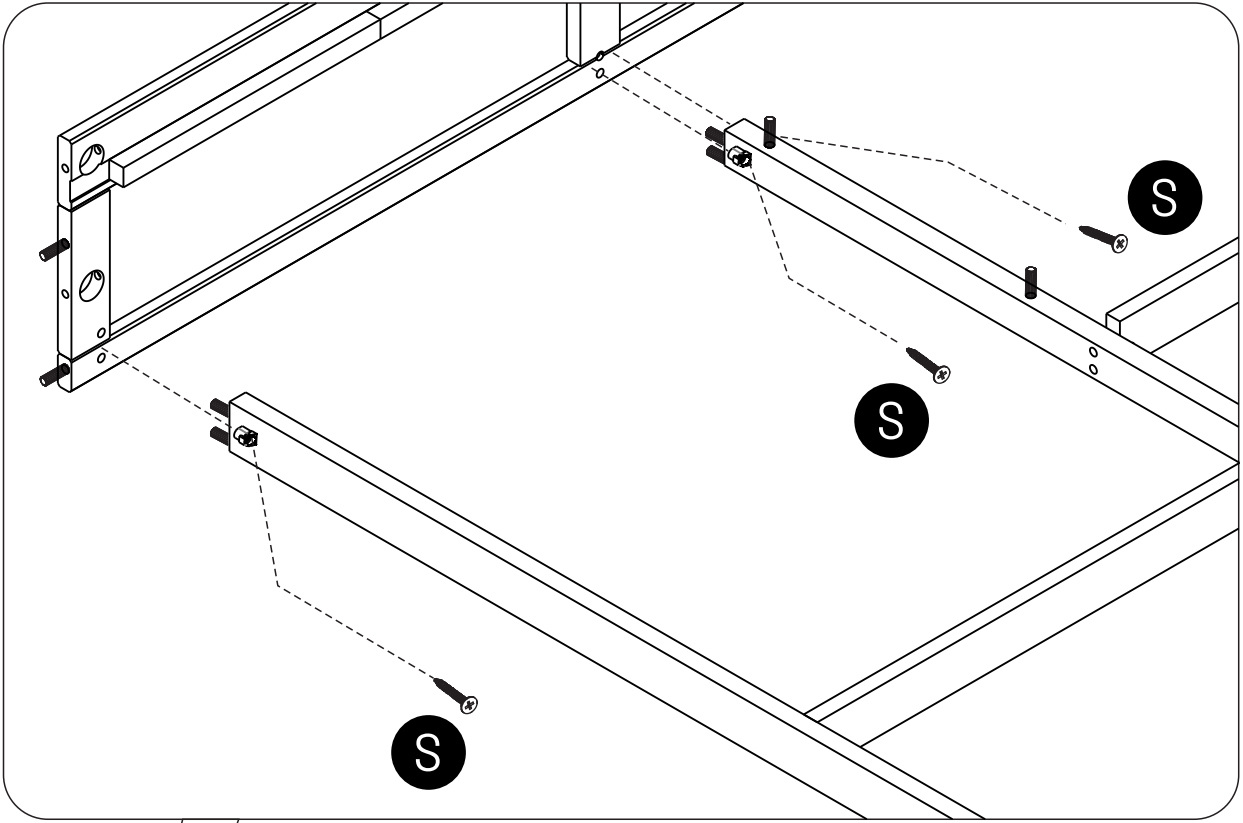
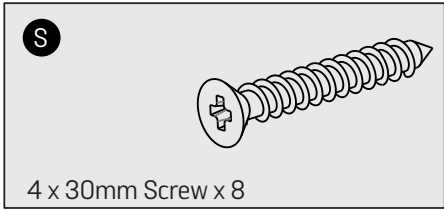
2



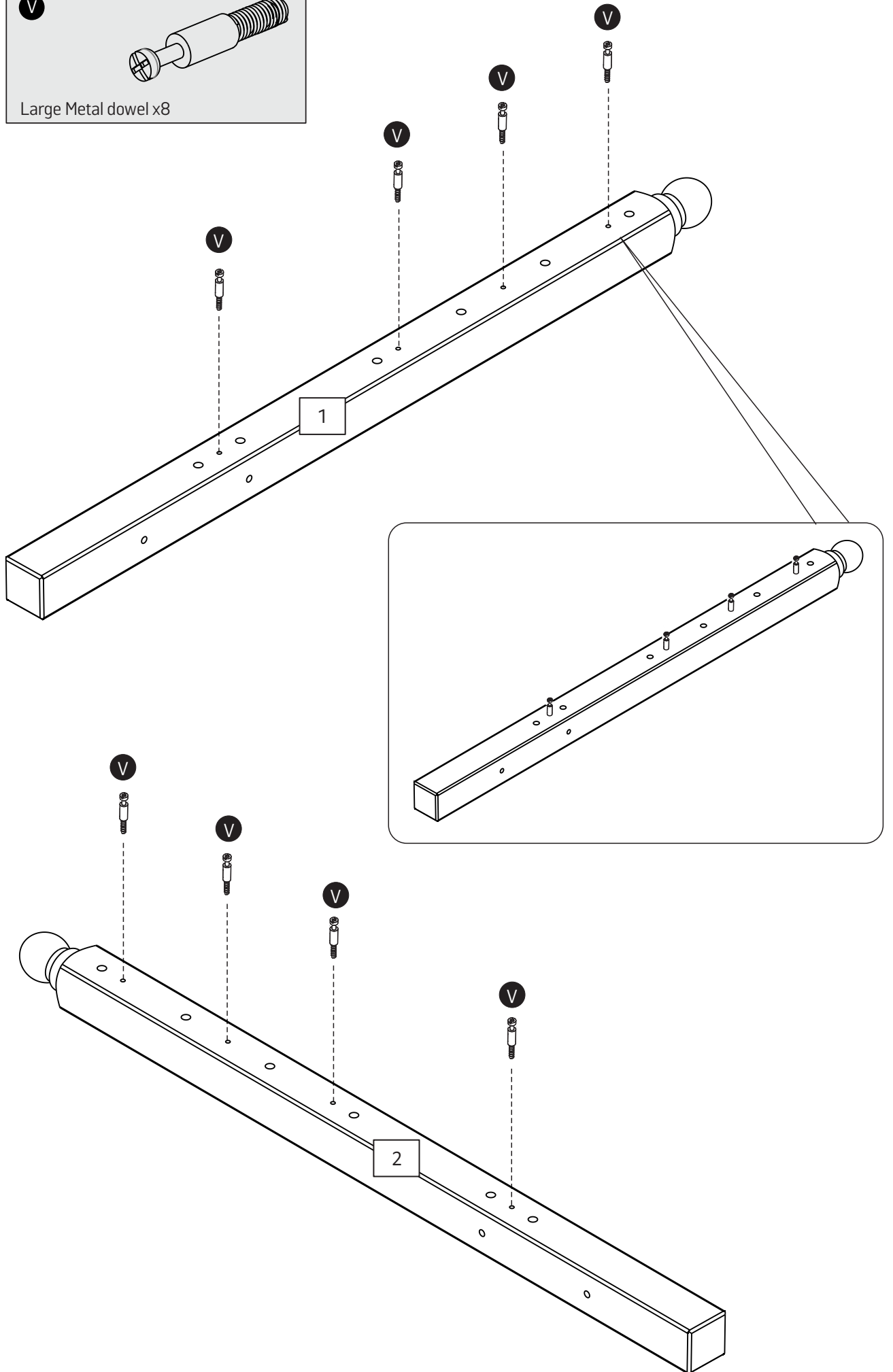
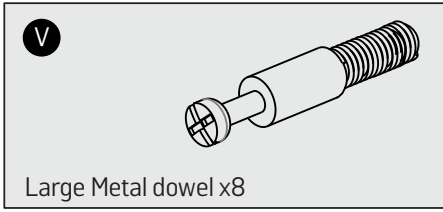
3



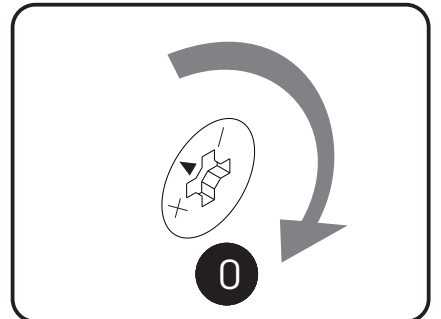
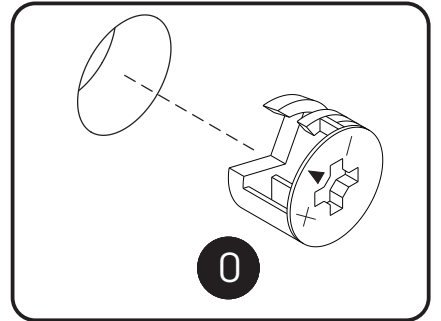
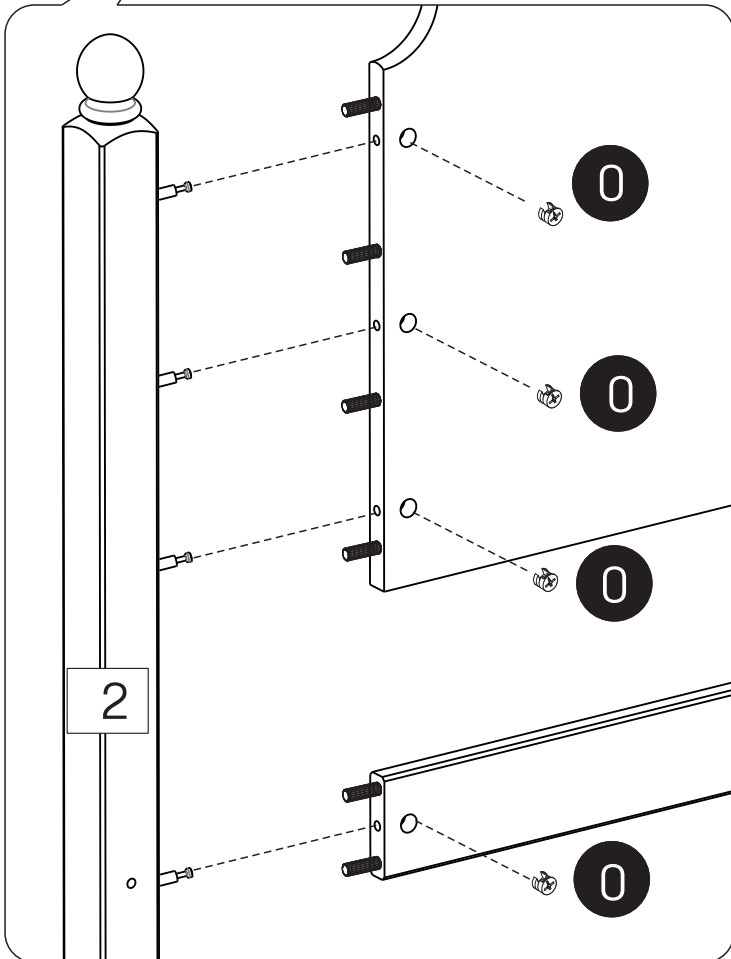
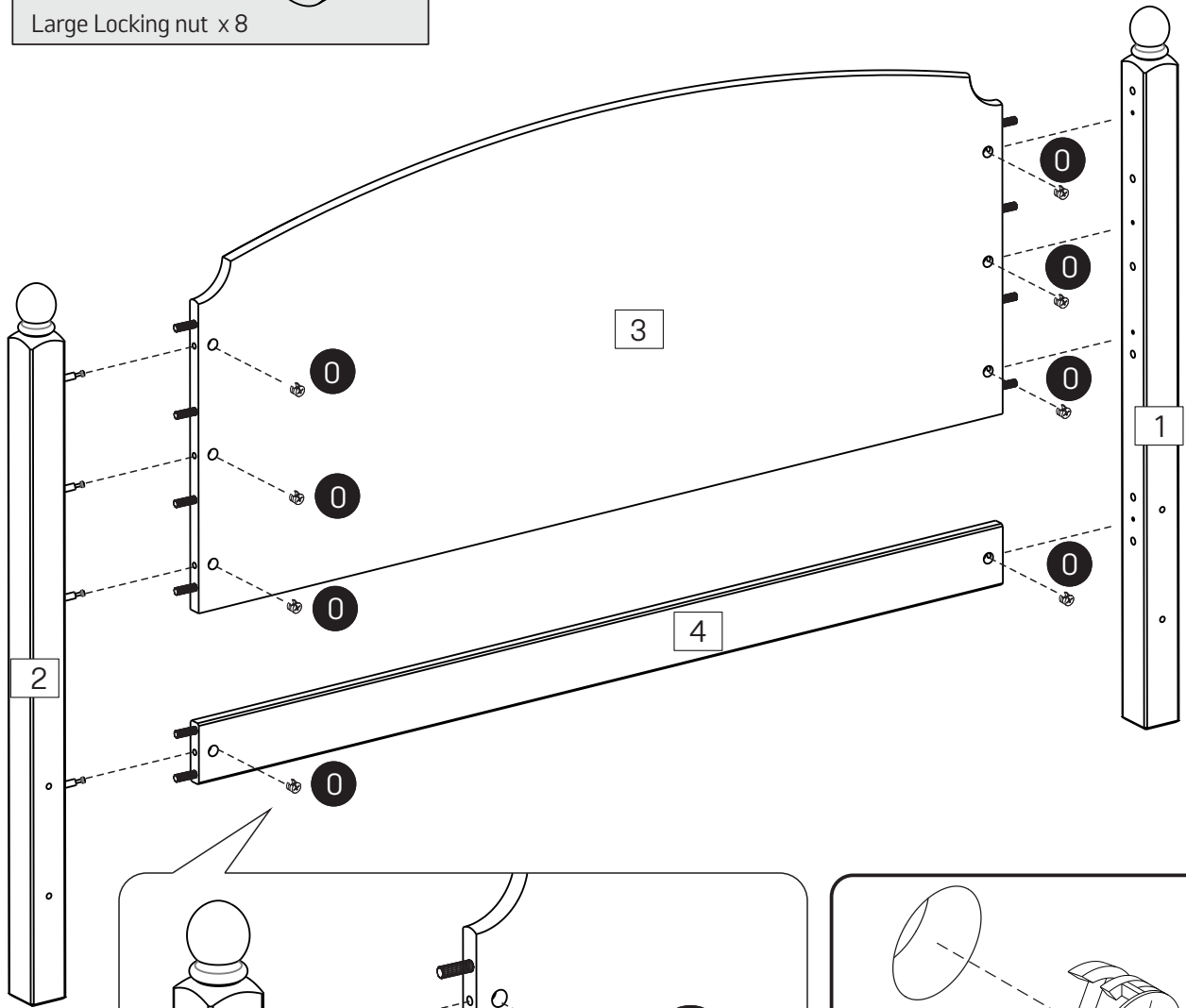
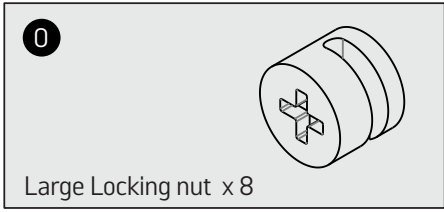
4



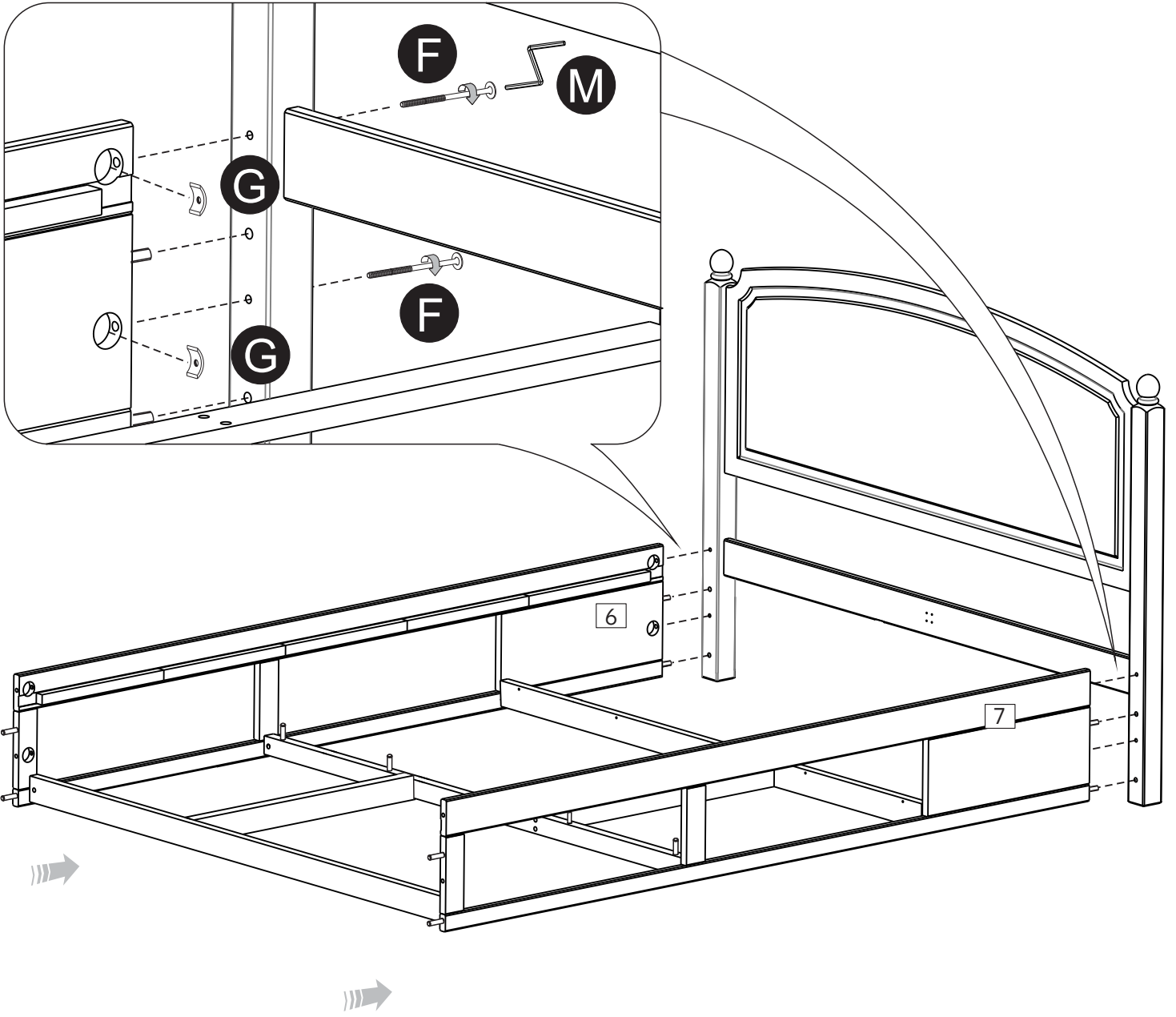
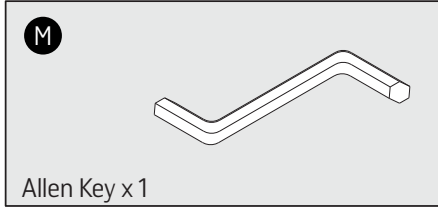
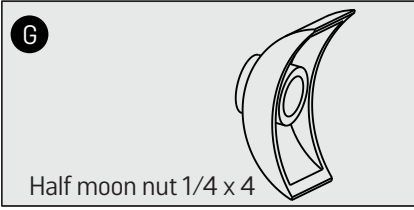
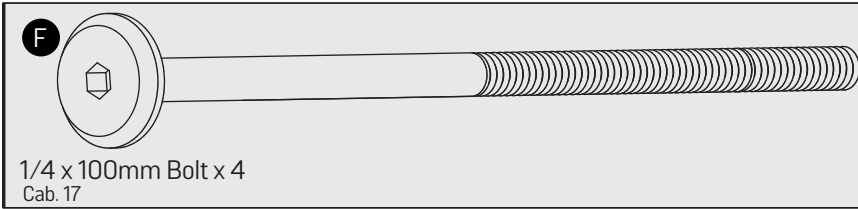
5



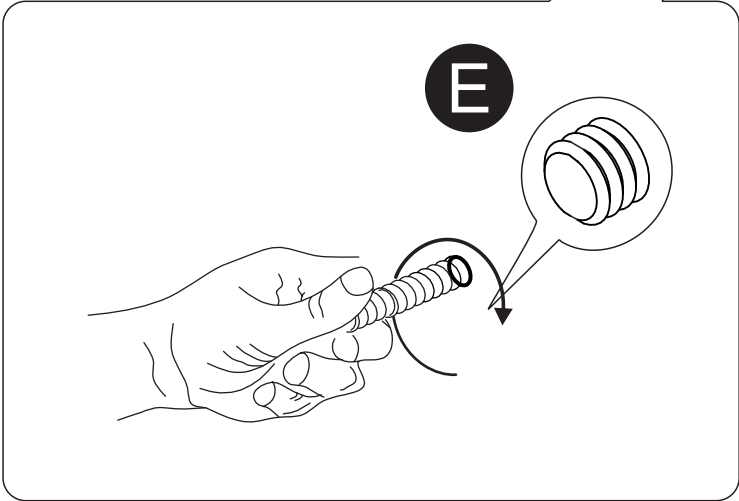
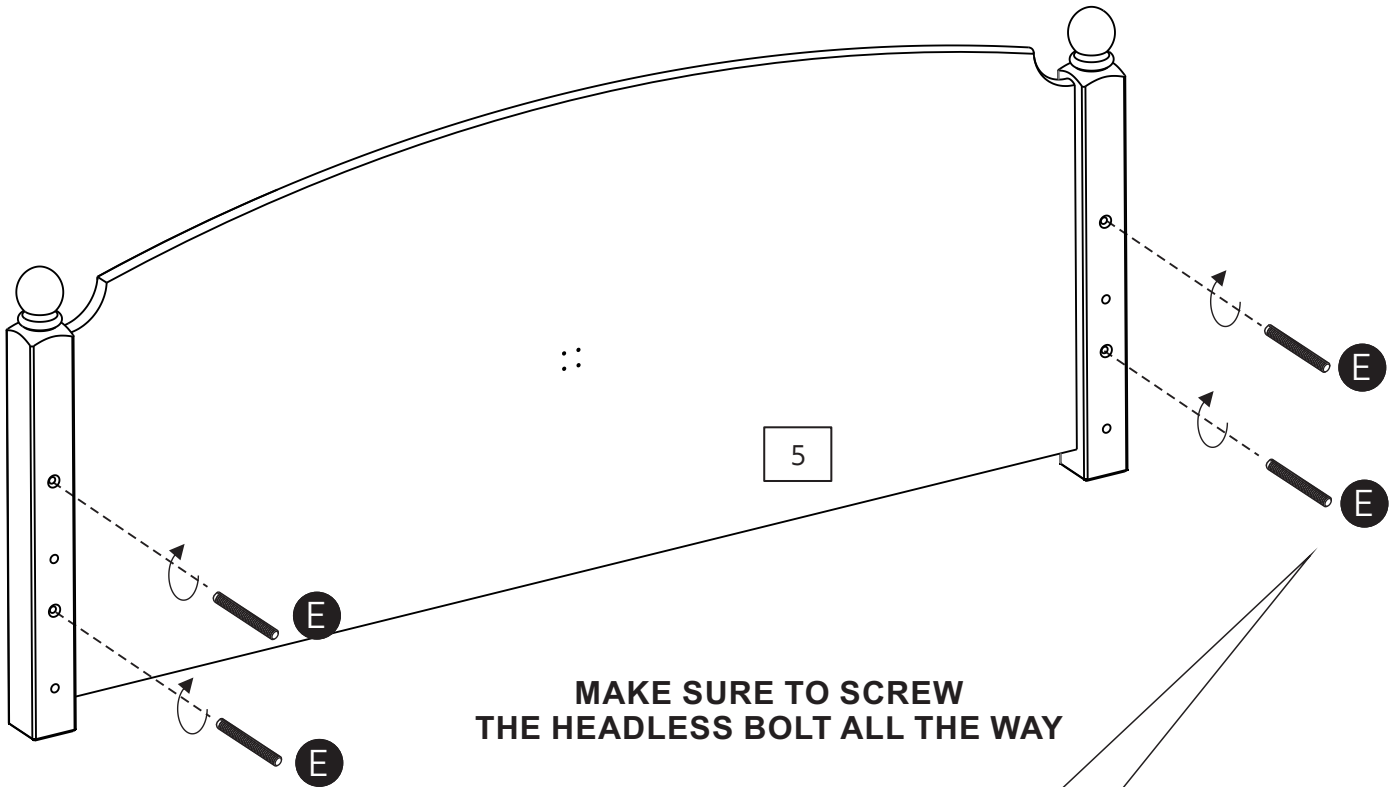
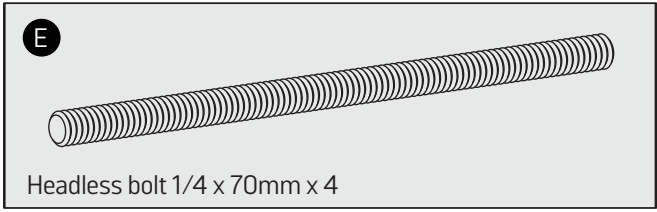
6



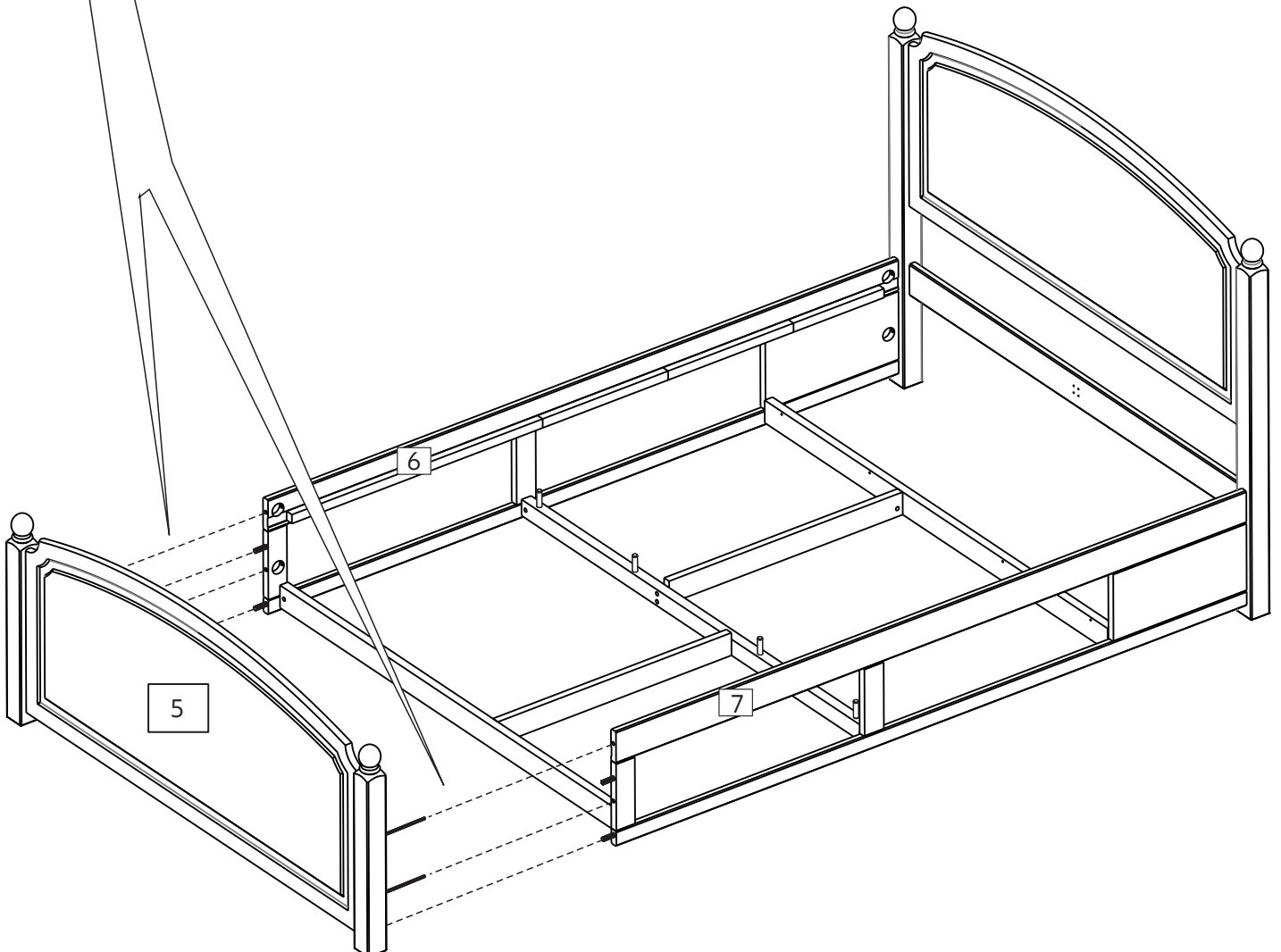
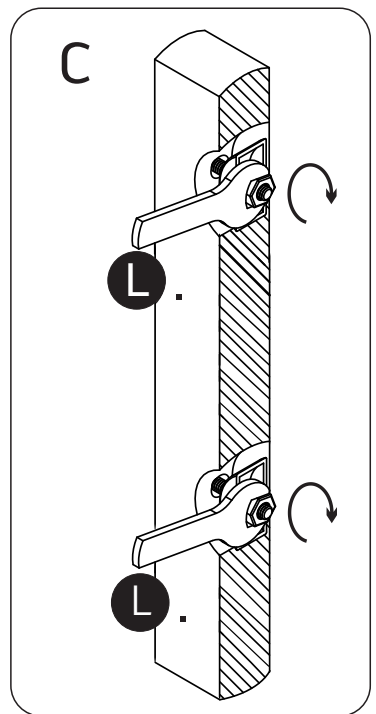
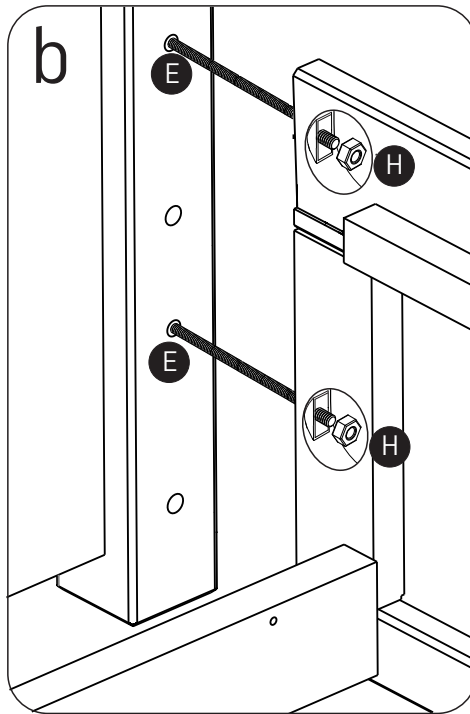
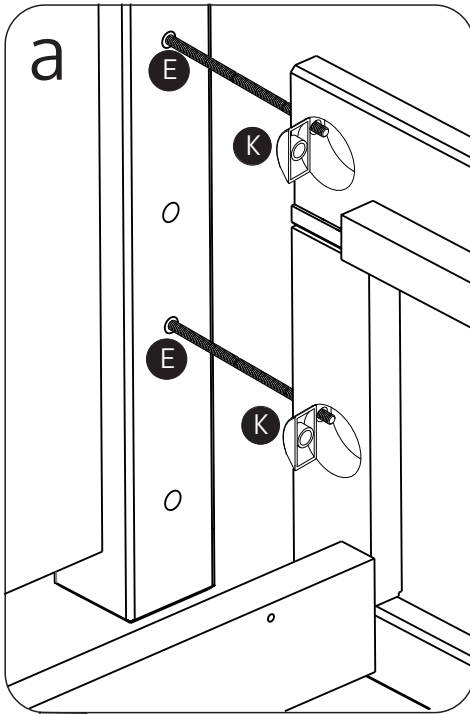
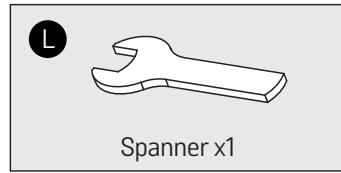
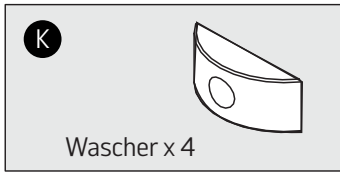
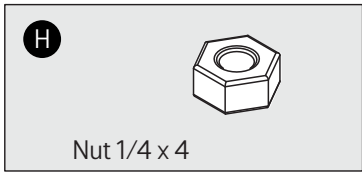
7



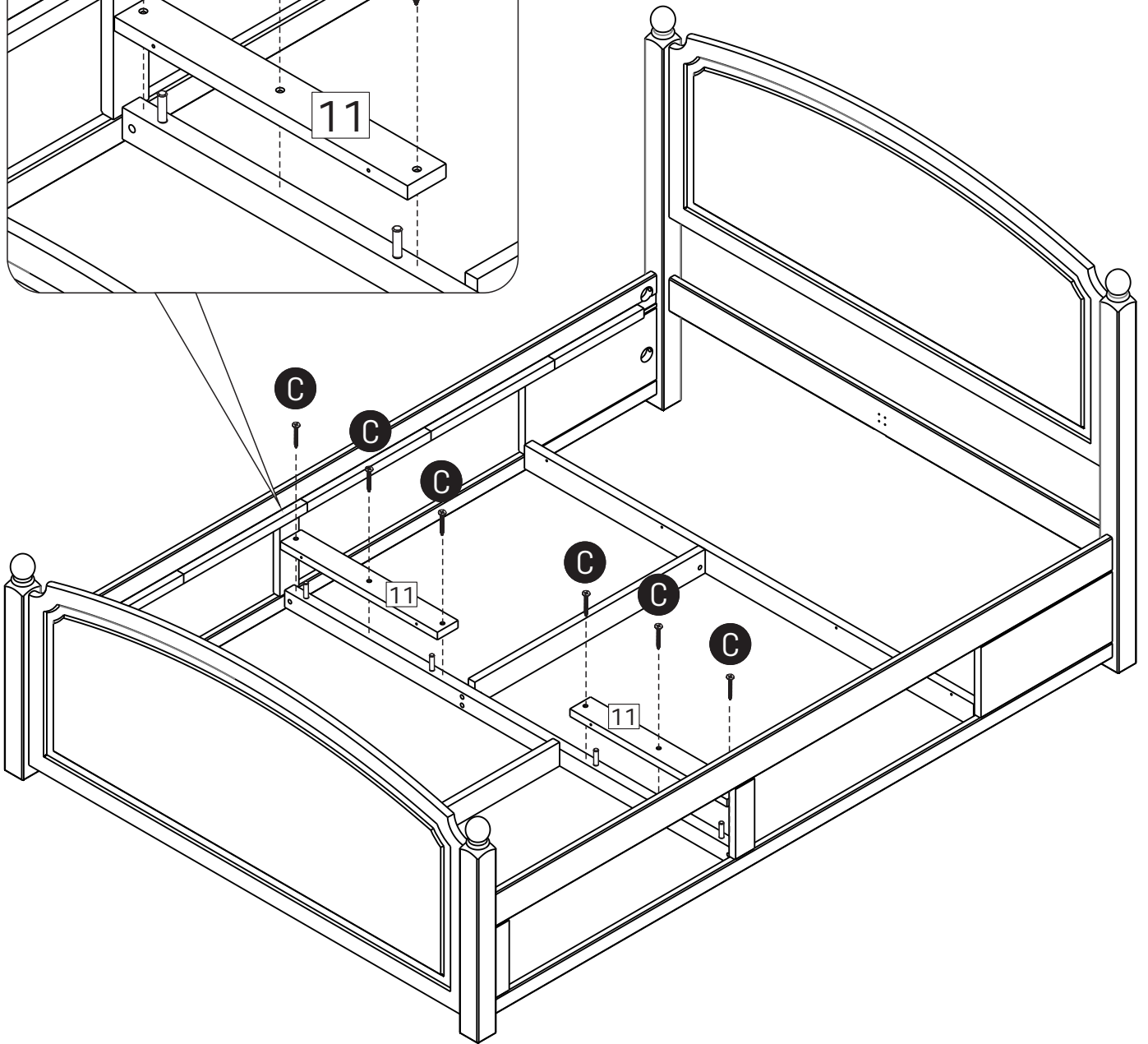
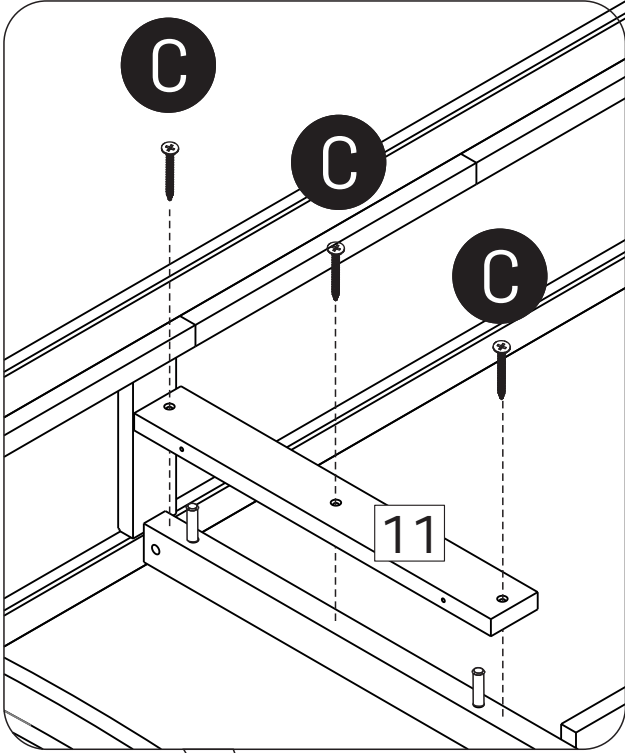
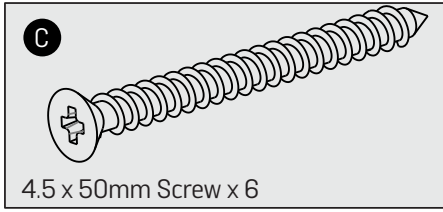
8



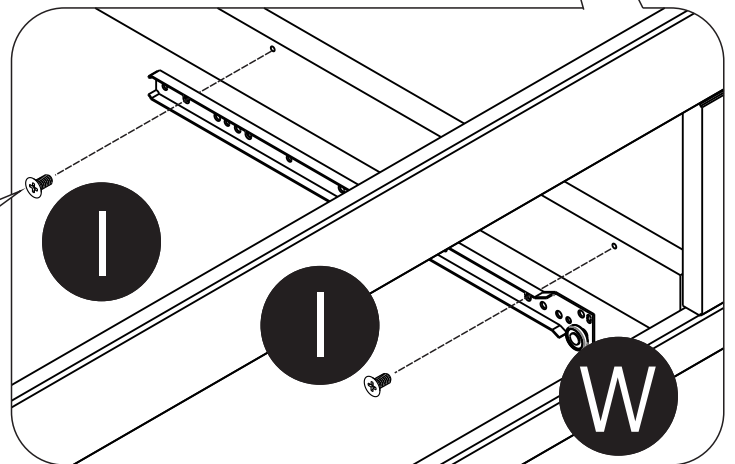
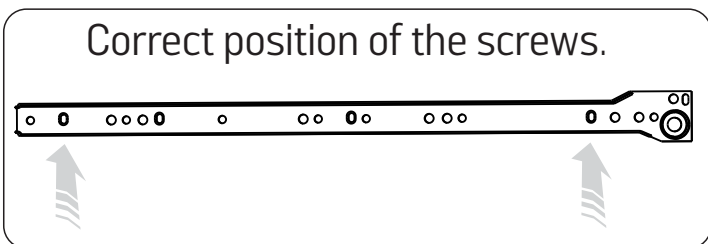
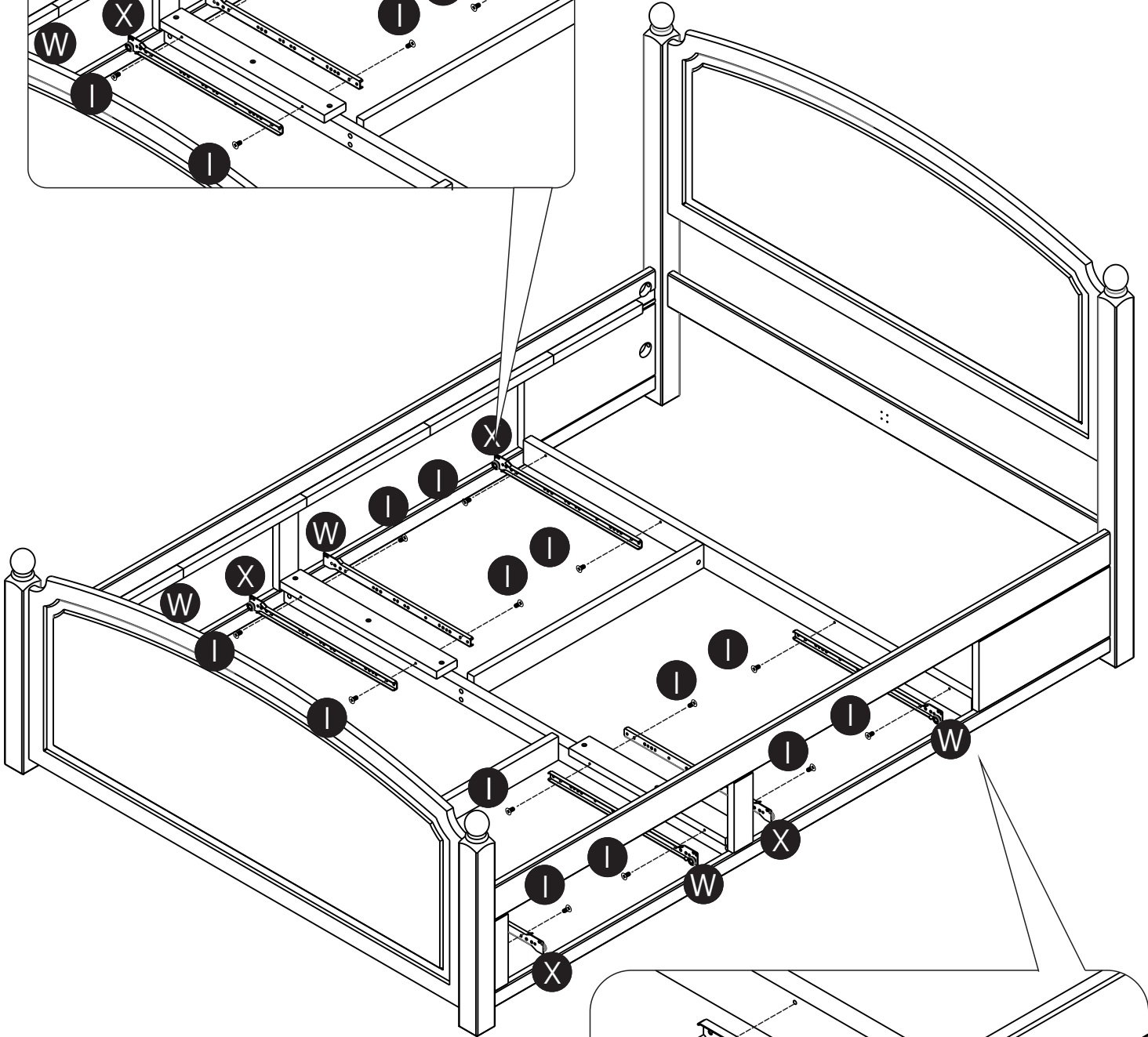
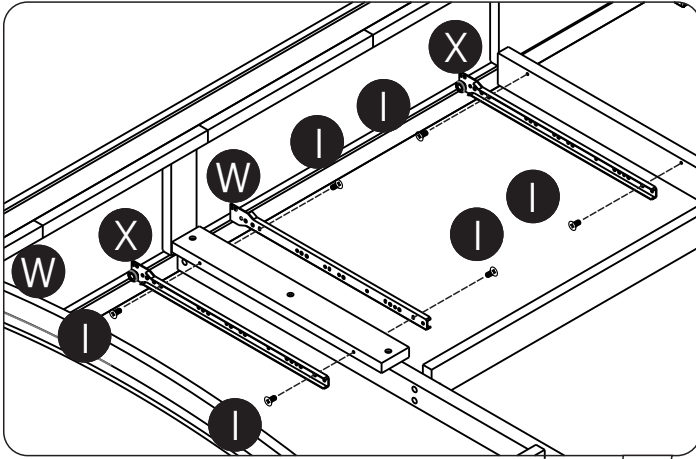
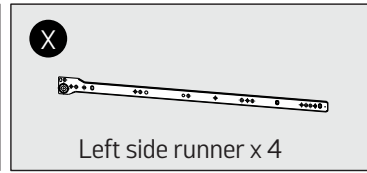
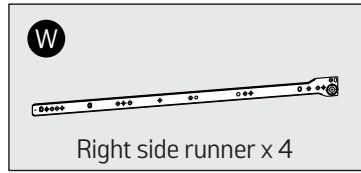
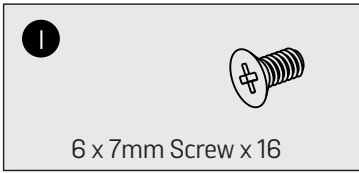
9



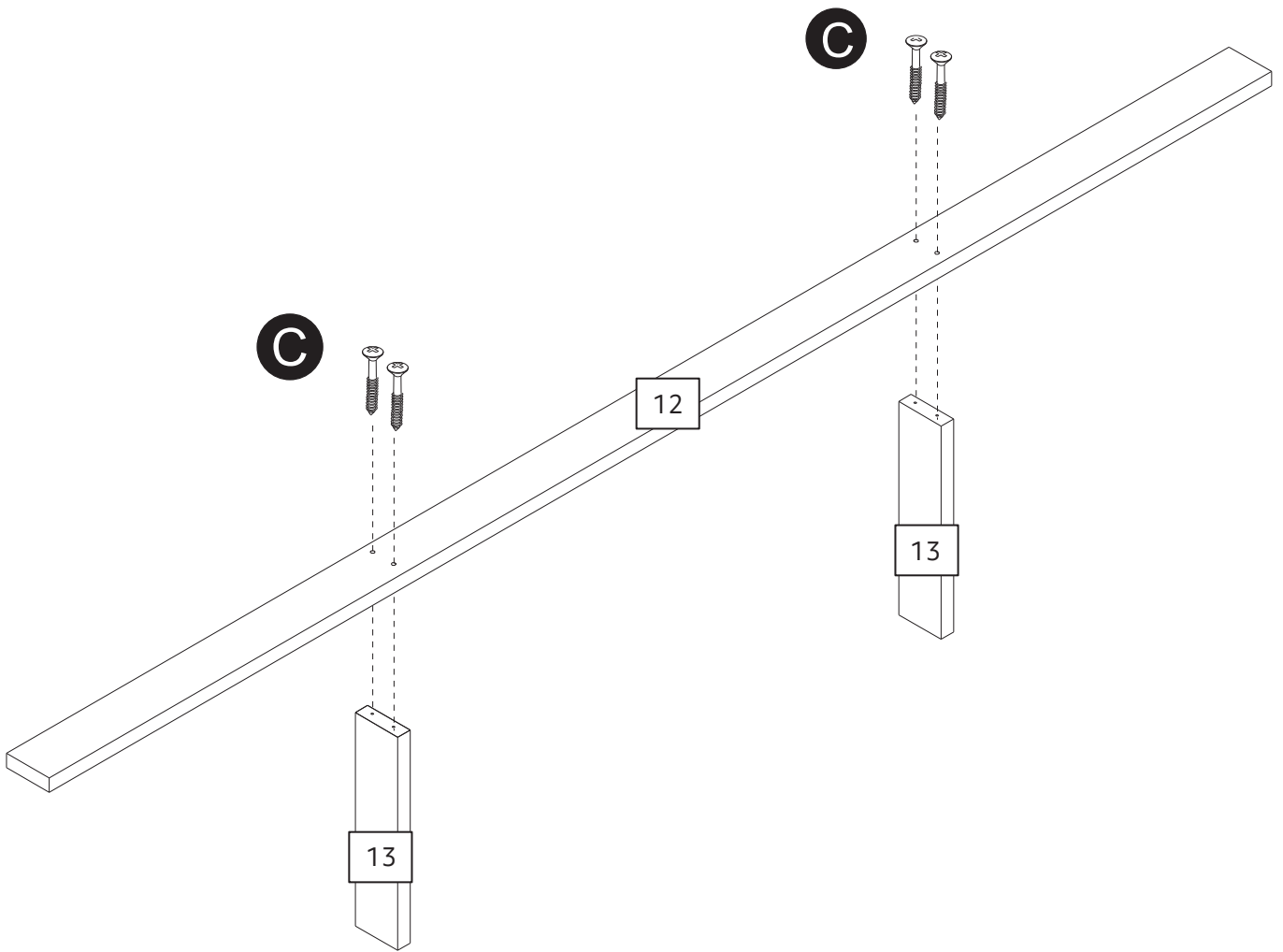
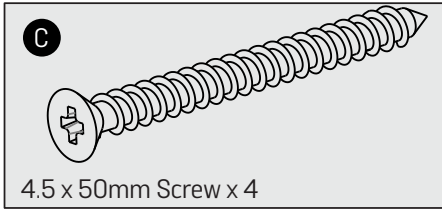
10



11



12



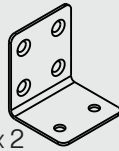
13

B

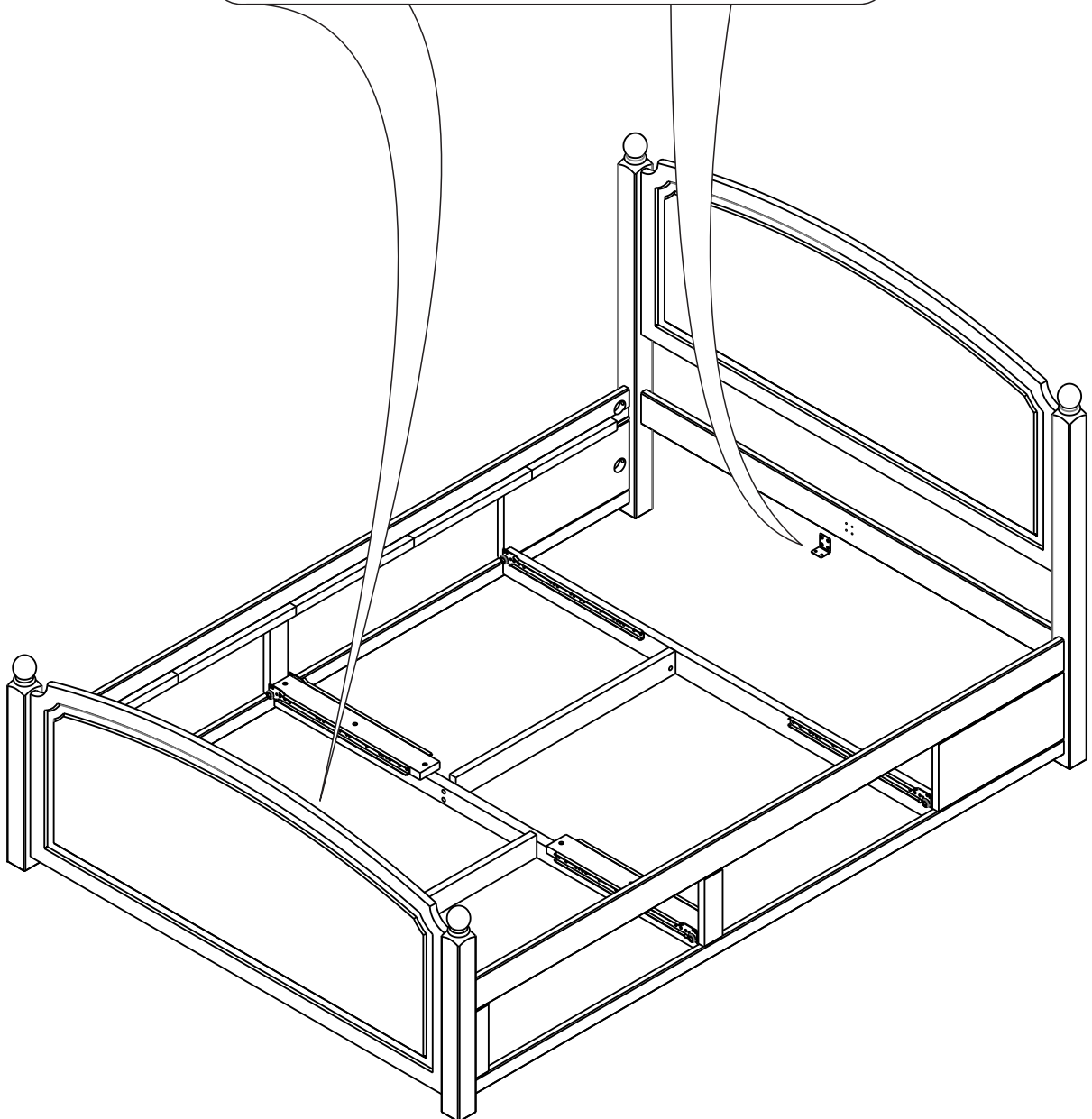
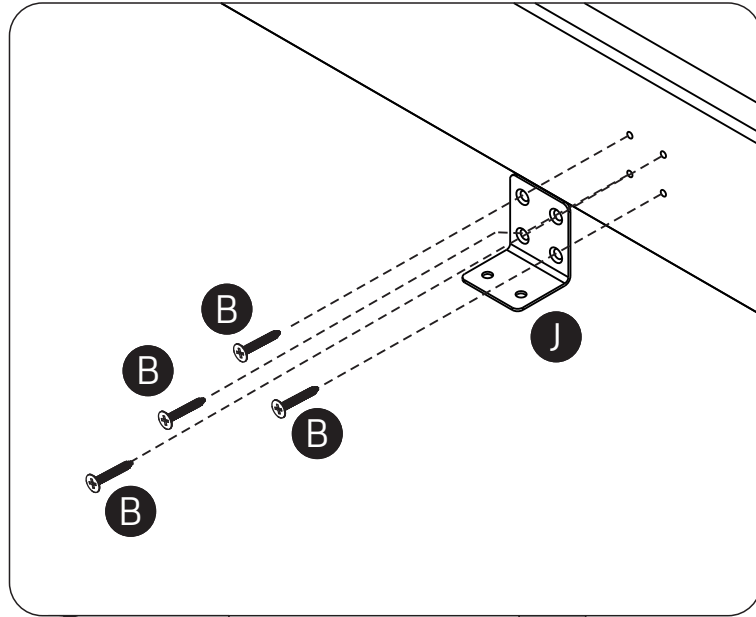


3.5 x 16mm Screw x 8

J



Metal bracket x 2

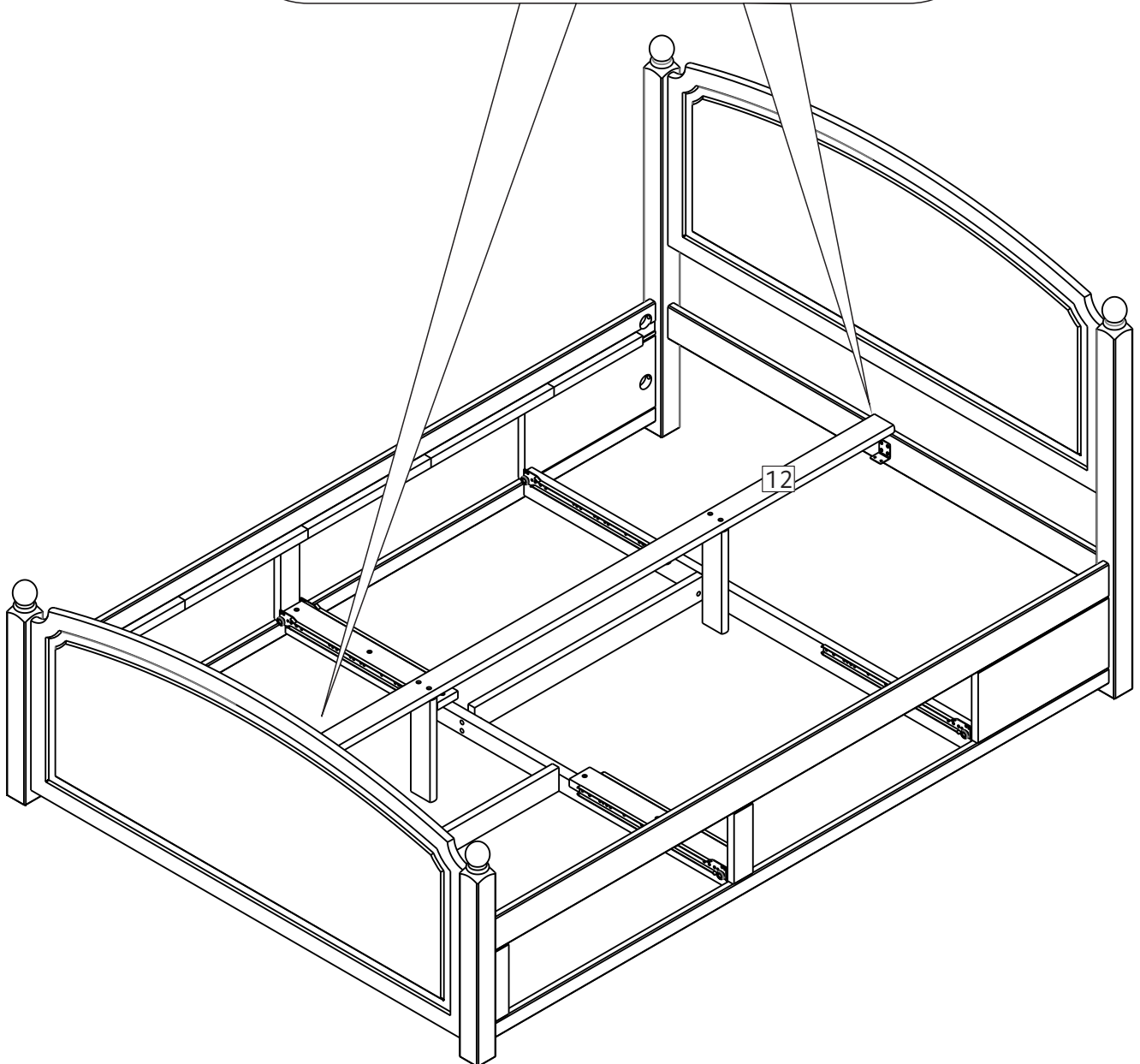
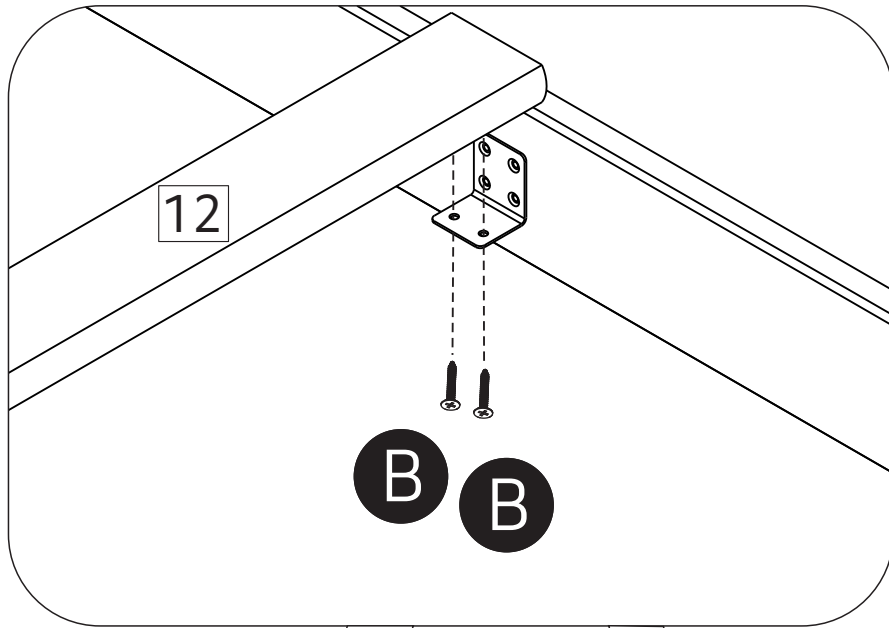


14

B



3.5 x 16mm Screw x 4

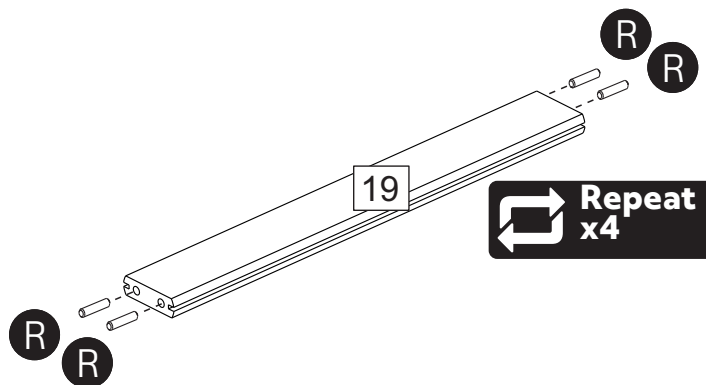
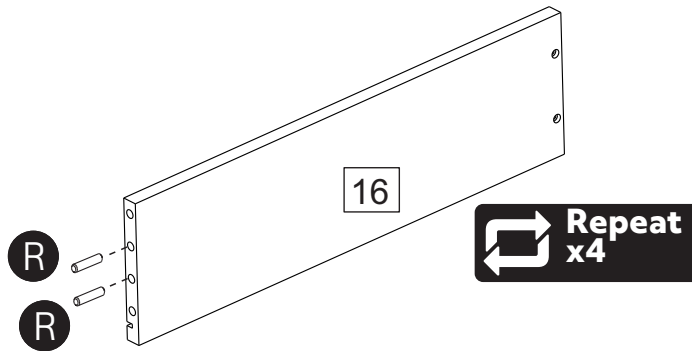
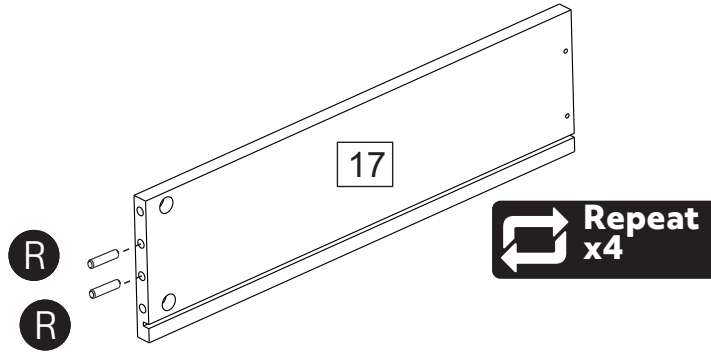


15

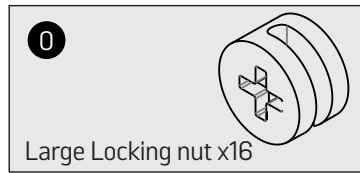
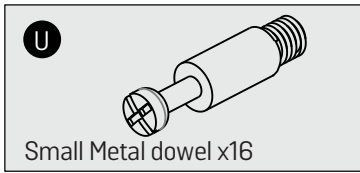
R



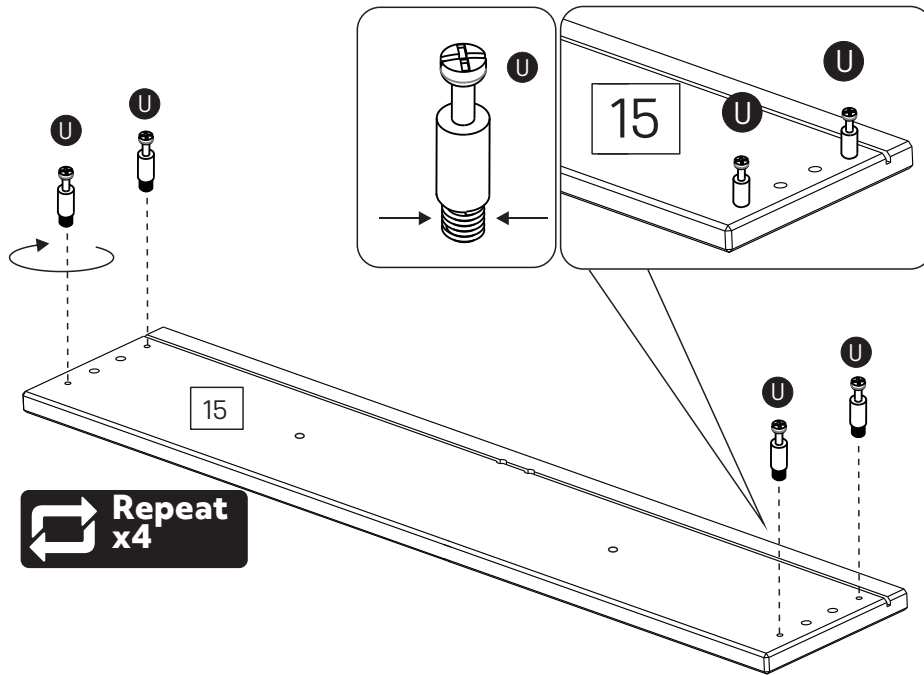
Thin wooden dowel x32
8 x 35mm



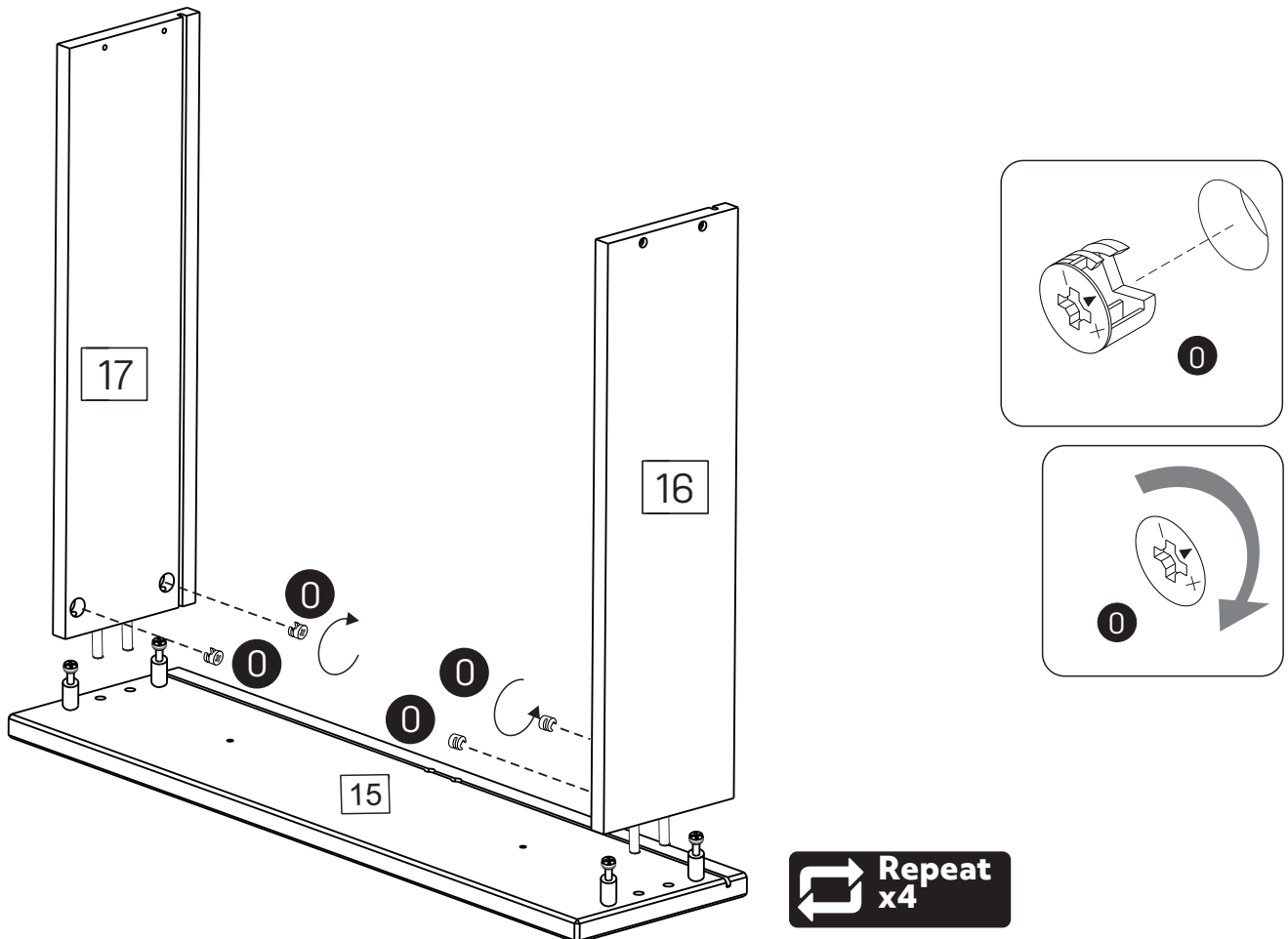
16



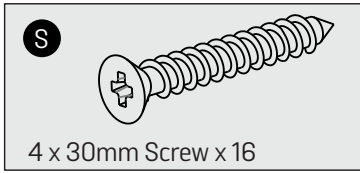
a)



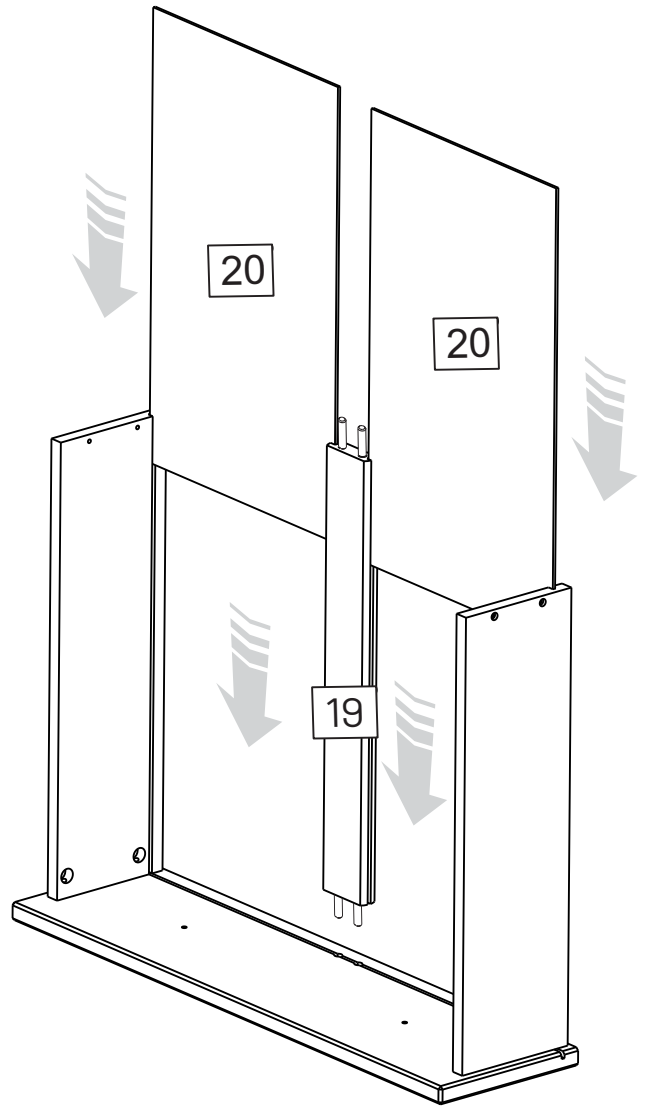
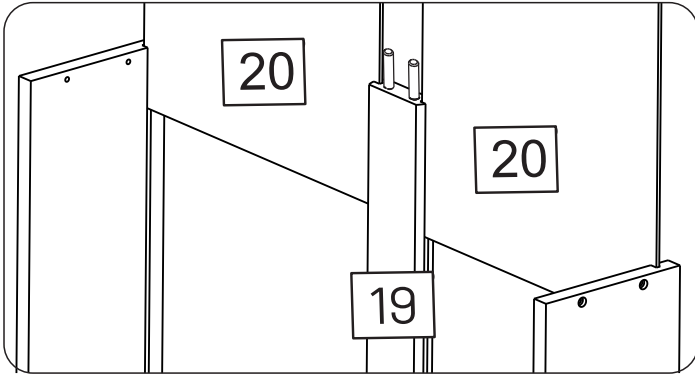
b)



17

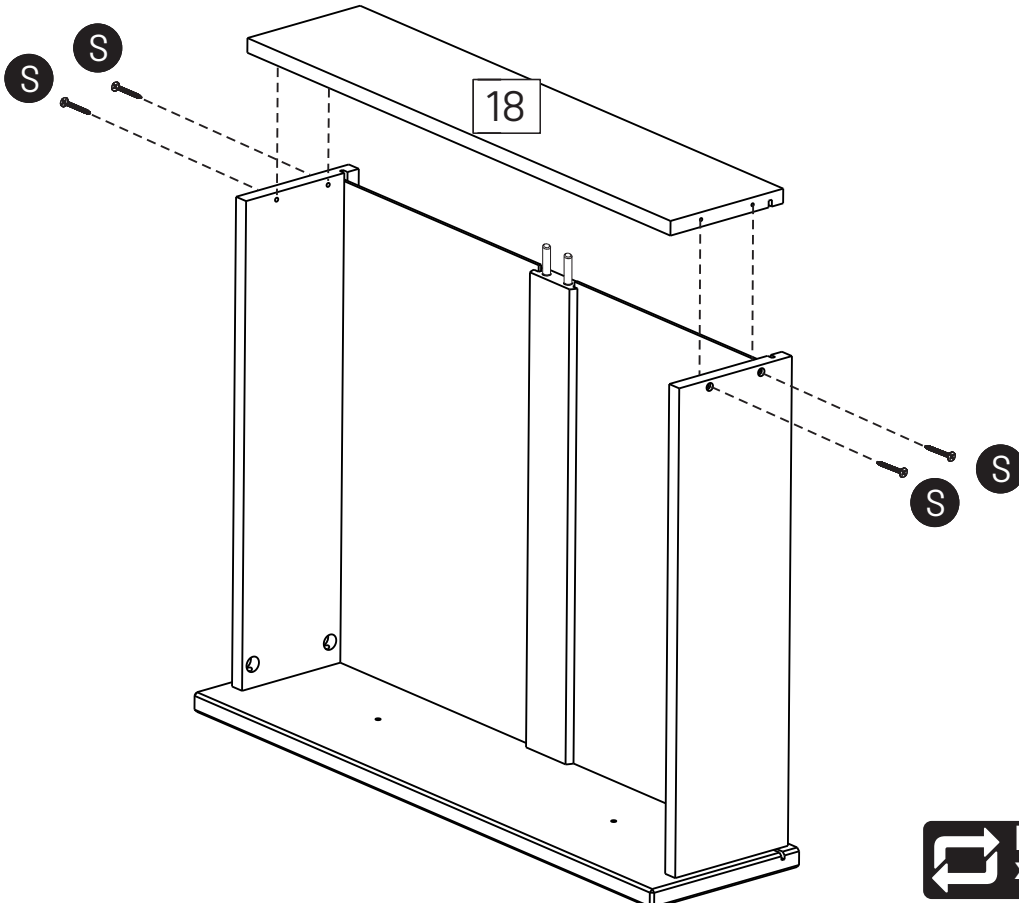


c)



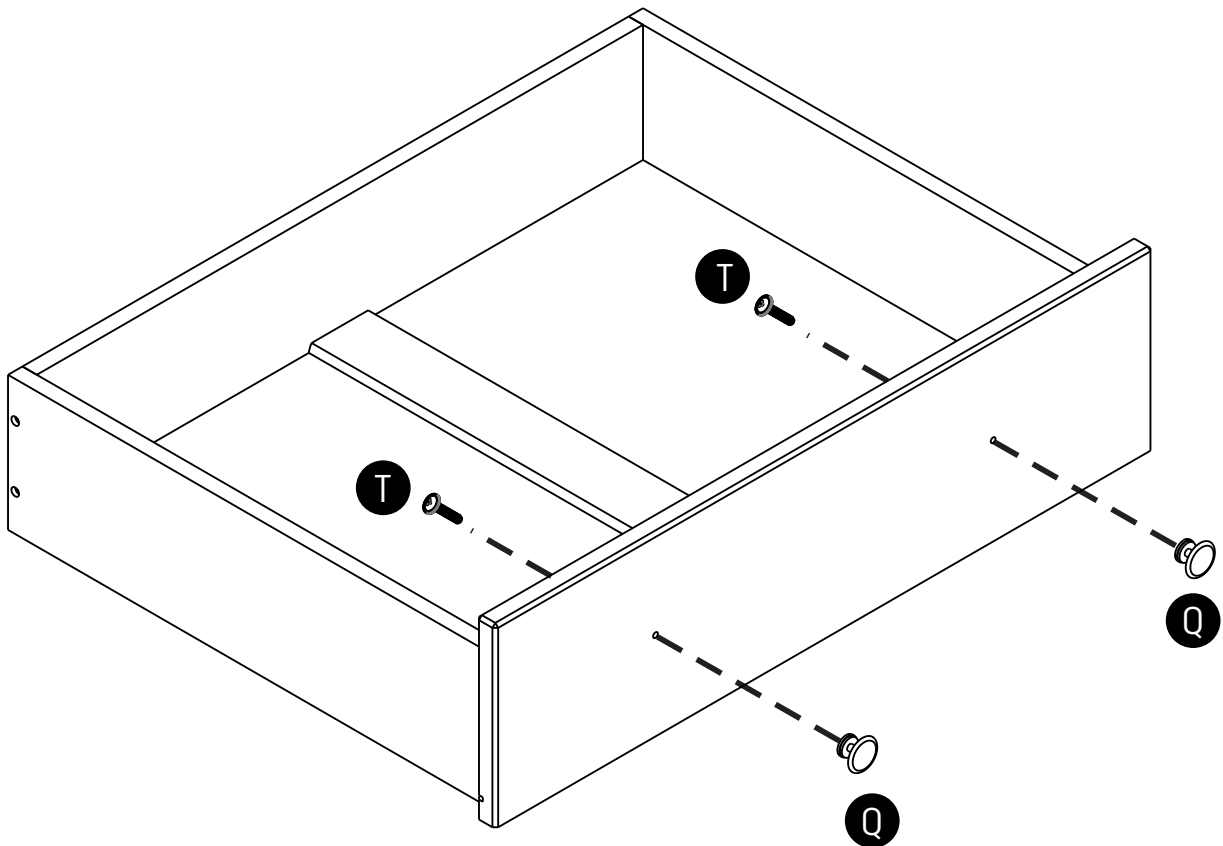
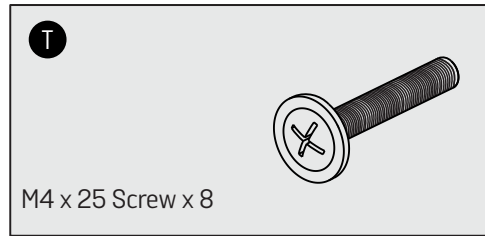
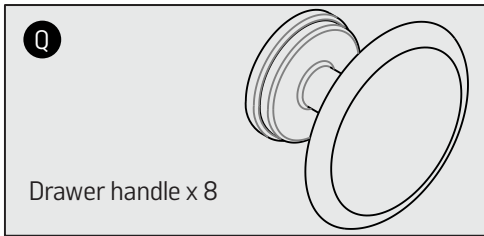
 Repeat x4

d)

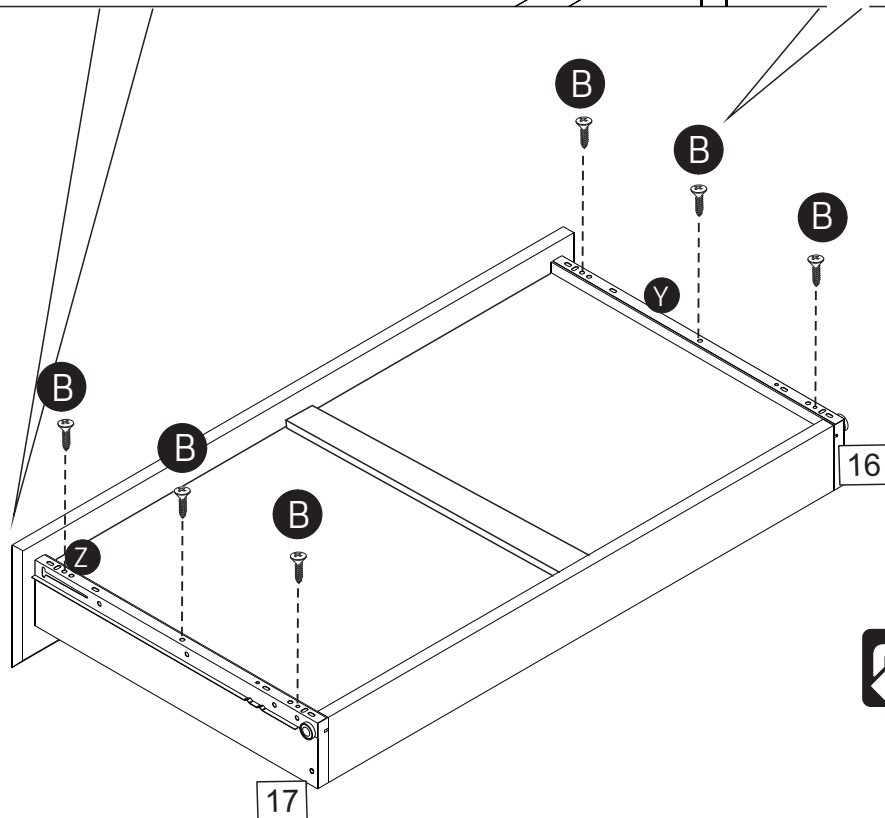
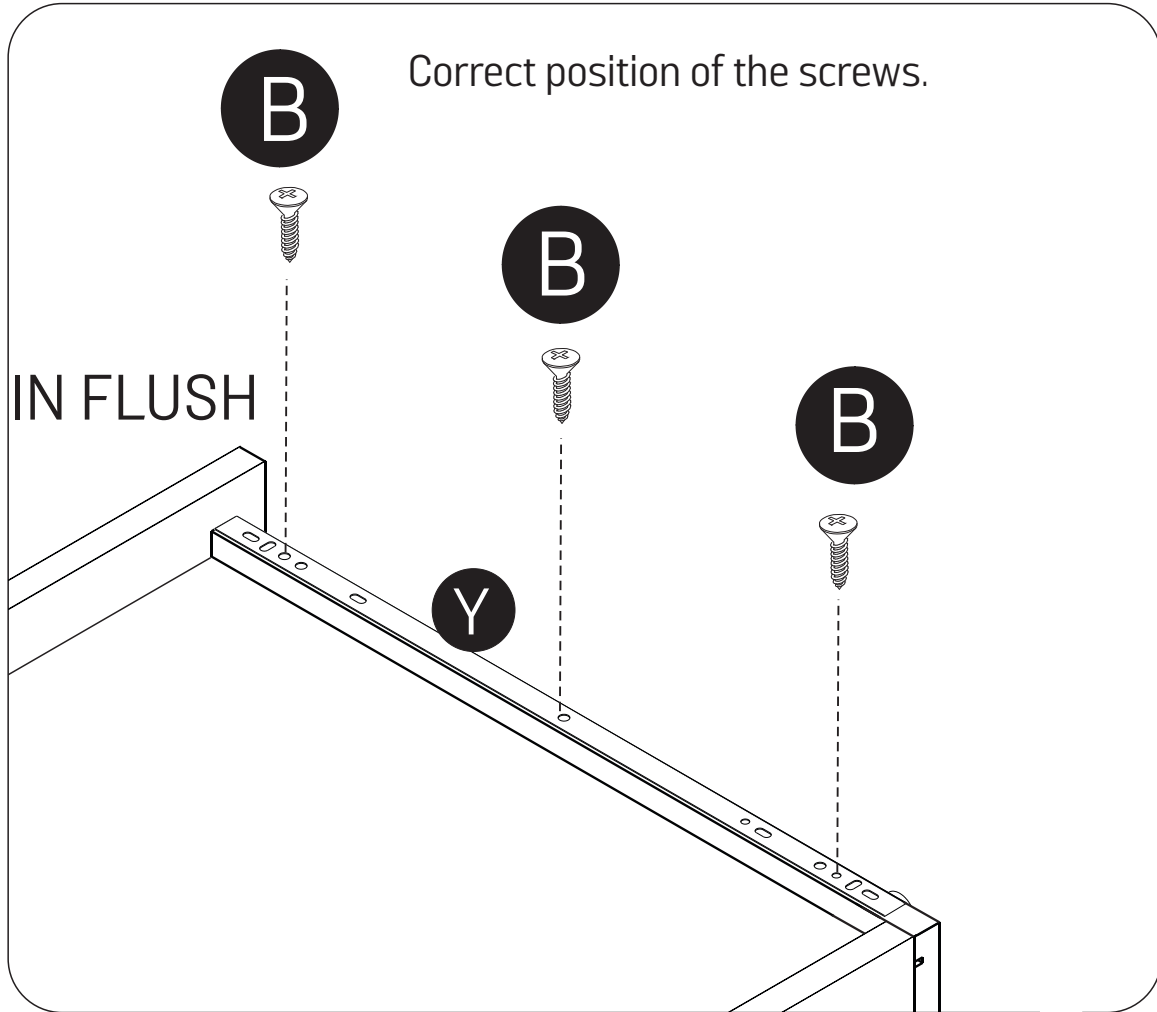
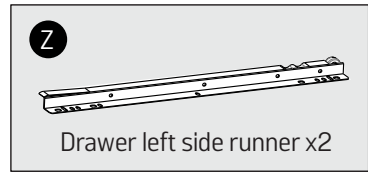
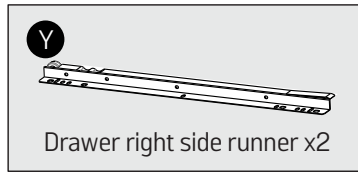
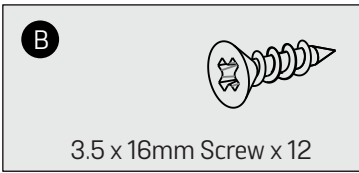


 Repeat x4

18



19



 Repeat
x2

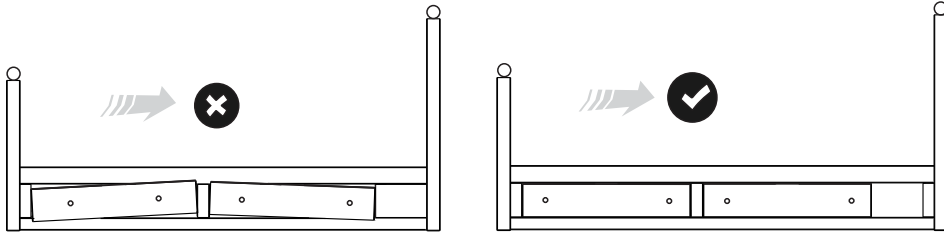
 Rotate
Product

20

B

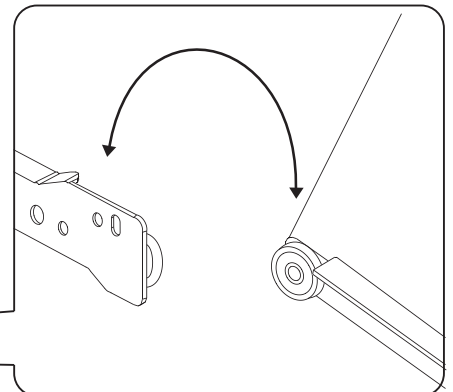
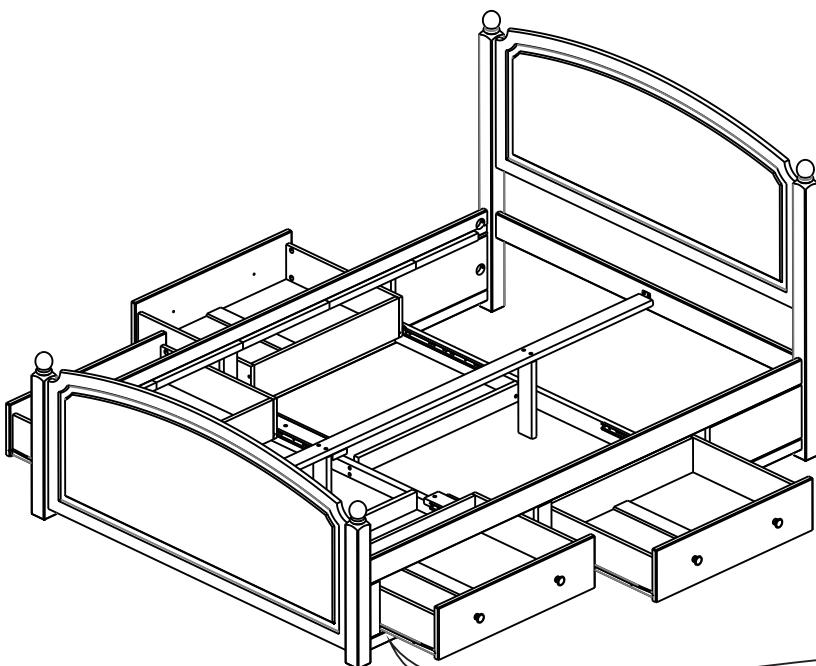
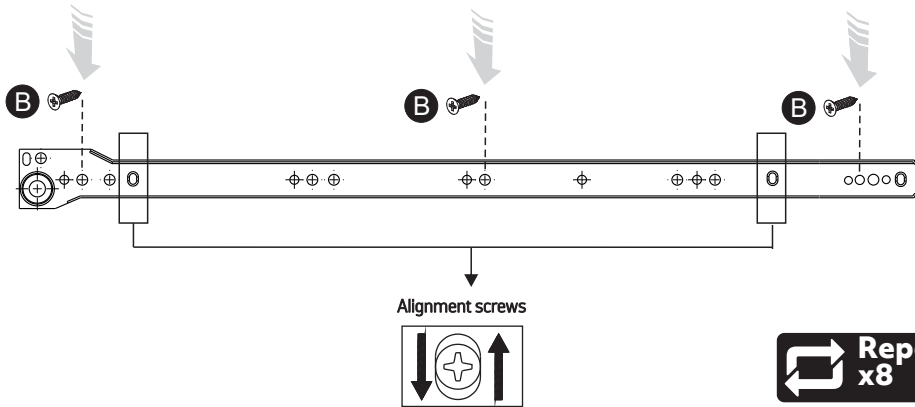


3.5 x 16mm Screw x 24

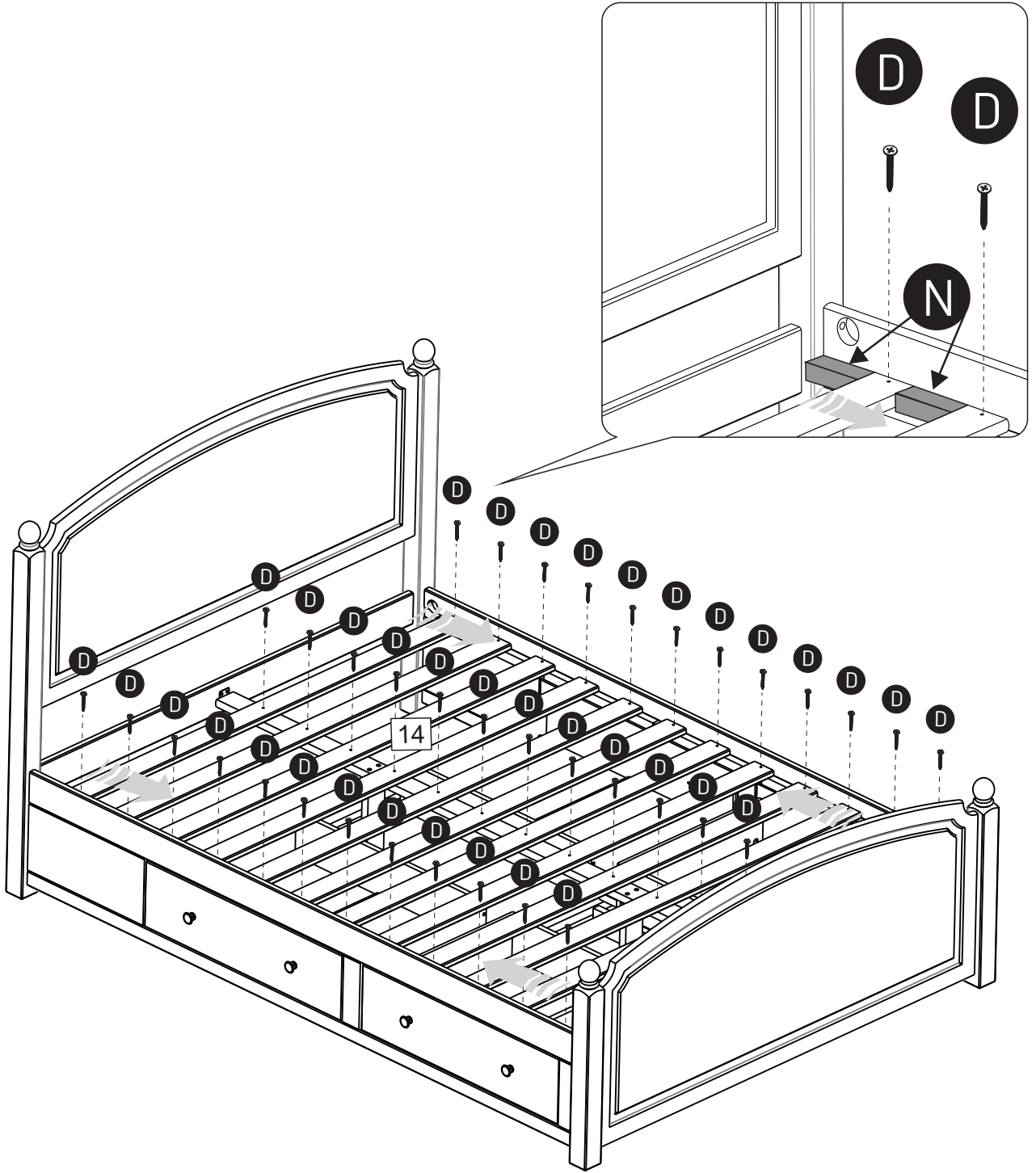
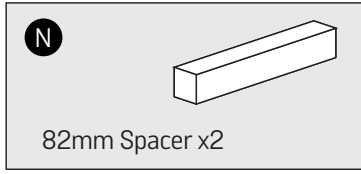
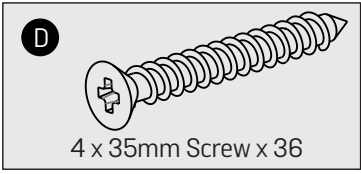


First, align the drawers using the alignment screws shown below, then, add the extra screws as per below drawing.

Extra Screws



21



Your 3 Year Guarantee

Peace Of Mind

Knowing Your Furniture Is Protected

Protection received within the Manufacturer's Guarantee	Optional Added Protection with Furniture Care
Covers you for manufacturing defects for 1 year.	Covers you for up to 2 years for specific structural defects following the expiry of the manufacturer's guarantee.
In the event of a problem within this time please call 0345 640 0800 , or visit an Argos store. Please retain your receipt and order number as proof of purchase.	Plus - covers you for accidental damage up to 3 years for incidents such as household spills, rips, tears and burns. Accidental damage cover begins from the moment your plan starts.
	If you want to purchase Furniture Care visit https://argos.productaftercare.co.uk or go into an Argos store.
Key exclusions applying to both the Manufacturer's Guarantee and Furniture Care include where the fault is due to misuse, abuse, deliberate damage, wear and tear, neglect, use in contravention with the instructions, or if the product has been the subject of unauthorised alterations or commercial use (for full list of exclusions please visit https://argos.productaftercare.co.uk or visit an Argos store for more information). You have up to 45 days post purchase to take out Furniture Care. Terms and conditions apply. Your statutory rights remain unaffected.	

Register

For Your Manufacturer's Guarantee

Thank you for choosing Argos Home.
We hope you love your shiny new things!

To provide you with the best possible after sales service, don't forget to visit **<https://argos.productaftercare.co.uk>** where you can **register** for your guarantee.

Once you've registered, you can upload your receipt to store safely online, alongside details of our after sales support service, ready at hand should you need it.

You can also take out Furniture Care which protects you against accidental damage, from the moment you take the plan out, to keep your new furniture looking newer for longer.

Register Today

<https://argos.productaftercare.co.uk>