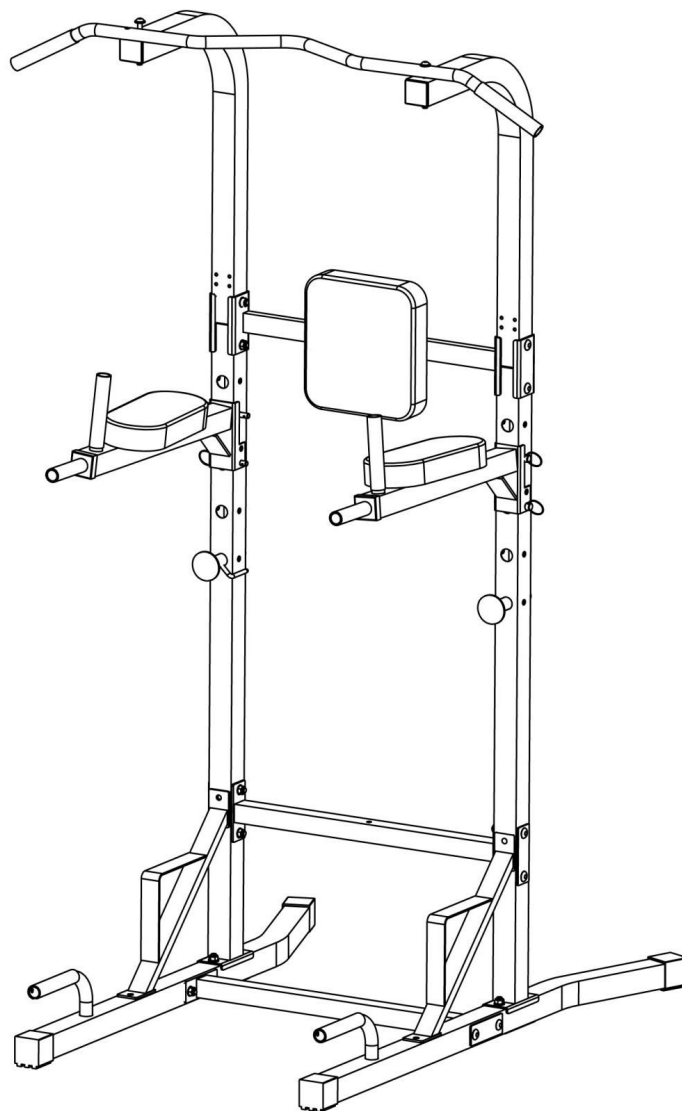


# Power Tower

Assembly & User Instructions-Please Keep for future reference

933/9277

**PRO FITNESS**



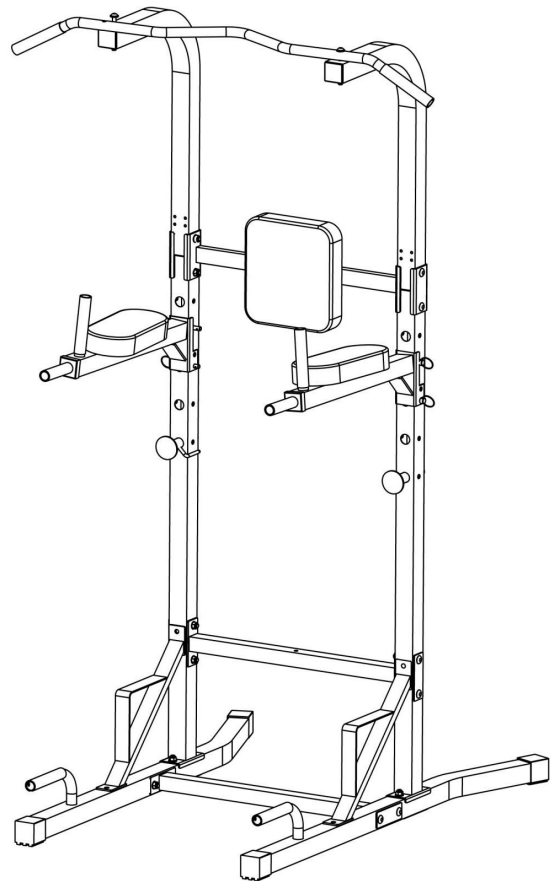
**Important – Please read these instructions fully before assembly or use**

These instructions contain important information which will help you get the best from your equipment and ensure safe and correct assembly, use and maintenance.

If you need help or have damaged or missing parts, call the **Customer Helpline: 0345 6001714** or visit **[www.argos-support.co.uk](http://www.argos-support.co.uk)**

# Contents

<b>Safety Information</b>	<b>2</b>
<b>Components - Parts</b>	<b>3</b>
<b>Components - Fixings</b>	<b>4</b>
<b>Assembly Instructions</b>	<b>5-12</b>
<b>Workout Area</b>	<b>13</b>
<b>Exercise Information</b>	<b>14-19</b>
Before starting	14
Muscle Chart	15-16
Calf/Achilles stretch	17
Using the equipment	18-19
<b>Care and Maintenance</b>	<b>20</b>
<b>Exploded Parts Diagram</b>	<b>21</b>
<b>Parts List</b>	<b>22</b>





# Safety Information

PRO FITNESS

**Important – Please read fully before assembly or use**

This exercise equipment is built for optimum safety. However, certain precautions apply whenever you operate a piece of exercise equipment. Be sure to read the entire manual before you assemble, operate or use this equipment.

## Assembly

- The product must be installed on a stable and level surface.
- Assemble the item as close to its final position (in the same room) as possible.
- Make sure you have enough space to layout the parts before starting.
- Keep children and animals away from the exercise area, small parts could pose a choking hazard if swallowed.
- Dispose of all packaging carefully and responsibly.
- Check you have all the components and tools listed in the parts list, bearing in mind that, for ease of assembly, some components are pre-assembled.
- The assembly of this equipment is best carried out by 2 people.

## Use

- It is the responsibility of the owner to ensure that all users of this product are properly informed as to how to use this product safely.
- This product is intended for domestic use only. **Do not** use in any commercial, rental, or institutional setting.
- Use the equipment only for intended use, as described in this manual. Do not use attachments not recommended by the manufacturer.
- Keep this equipment indoors, away from moisture and dust. Do not put the equipment in a garage, outbuilding, covered patio, or near water.
- Your product is intended for use in clean dry conditions. You should avoid storage in excessively cold or damp places as this may lead to corrosion and other related problems that are outside our control.
- Keep unsupervised children away from the equipment.
- Disabled persons should not use the equipment without a qualified person or doctor in attendance.
- Always wear appropriate workout clothing when exercising. **Do not** wear loose or baggy clothing, as it may get caught in the equipment. Wear trainers to protect your feet while exercising.
- **Do not** place any sharp objects around the equipment.
- Keep hands away from all moving parts.
- If any of the adjustment devices are left projecting, they could interfere with the user's movement.
- Before using the equipment to exercise, always perform stretching exercises to properly warm up.
- Only one person at a time should use the equipment.
- A spotter is recommended during exercise.
- If the user experiences dizziness, nausea, chest pain, or other abnormal symptoms **stop the workout and seek immediate medical attention.**
- Injuries to health may result from incorrect or excessive training.
- This product is suitable for a maximum user weight of: **110kg.**
- The maximum training mass on barbell support is 35KG (Including bar and weights).
- This product is fit for 1" weight plates.
- This product conforms to: BS EN ISO 20957-1 and -4 Class (H) - Home Use.



**Warning:** Before beginning any exercise program, consult your Doctor. This is especially important for persons over the age of 35 or persons with pre-existing health problems. You **MUST** read all instructions before using any fitness equipment. Argos and its associates assumes no responsibility for personal injury or property damage sustained by or through the use of this product.

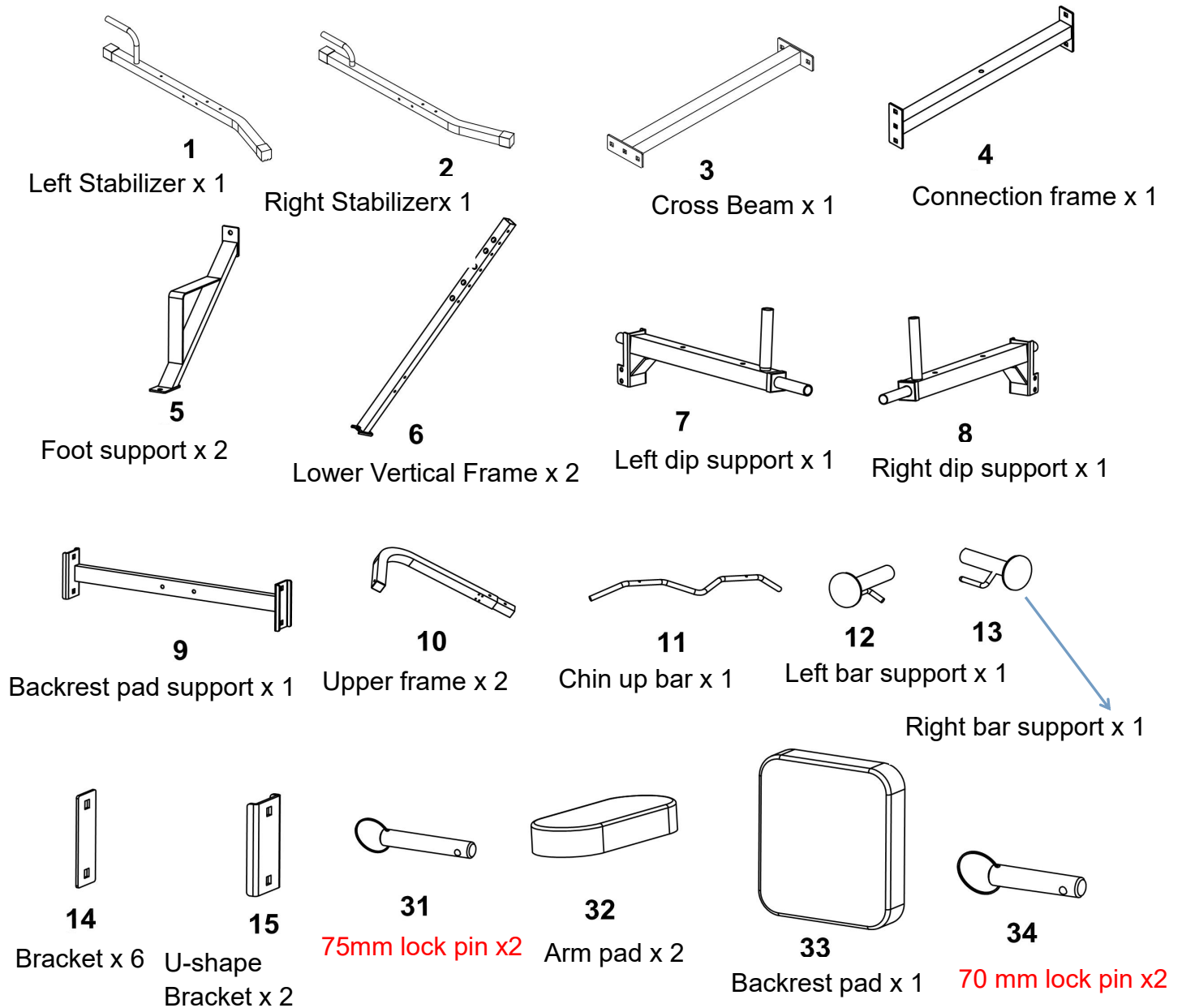
# Components - Parts

If you have damaged or missing parts, please call the **Customer Helpline: 0345 6001714**

Please check you have all parts listed below

**Note:** Some of the smaller components may be pre-fitted to larger components. Please check carefully before contacting Argos regarding any missing components.

Total mass of the product is 35kg. The dimensions of the equipment after being assembled are (width)94×(depht) 123 × (height) 210 cm.

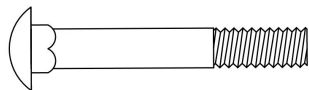


# Components - Fixings

PRO FITNESS

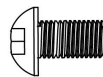
Please check you have all parts listed below

**Note:** The quantities below are the correct amount to complete the assembly. In some cases more hardware may be supplied than are required. Some of the fixings are pre-fitted to the larger components. Please check carefully before contacting Argos regarding any missing fixings.



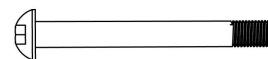
**16**

M10X70 Carriage bolt x 16



**17**

M10X20 Allen bolt x 4



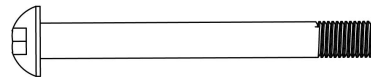
**18**

M8X60 Allen bolt x 4



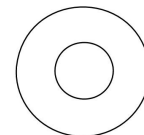
**19**

M8X40 Allen bolt x 2



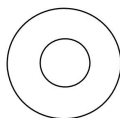
**20**

M10X90 Allen bolt x 2



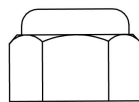
**21**

φ 10 washer x 24



**22**

φ8 washer x 6



**23**

M10 Aircraft nut x 18



5# Allen Bolt Wrench X1

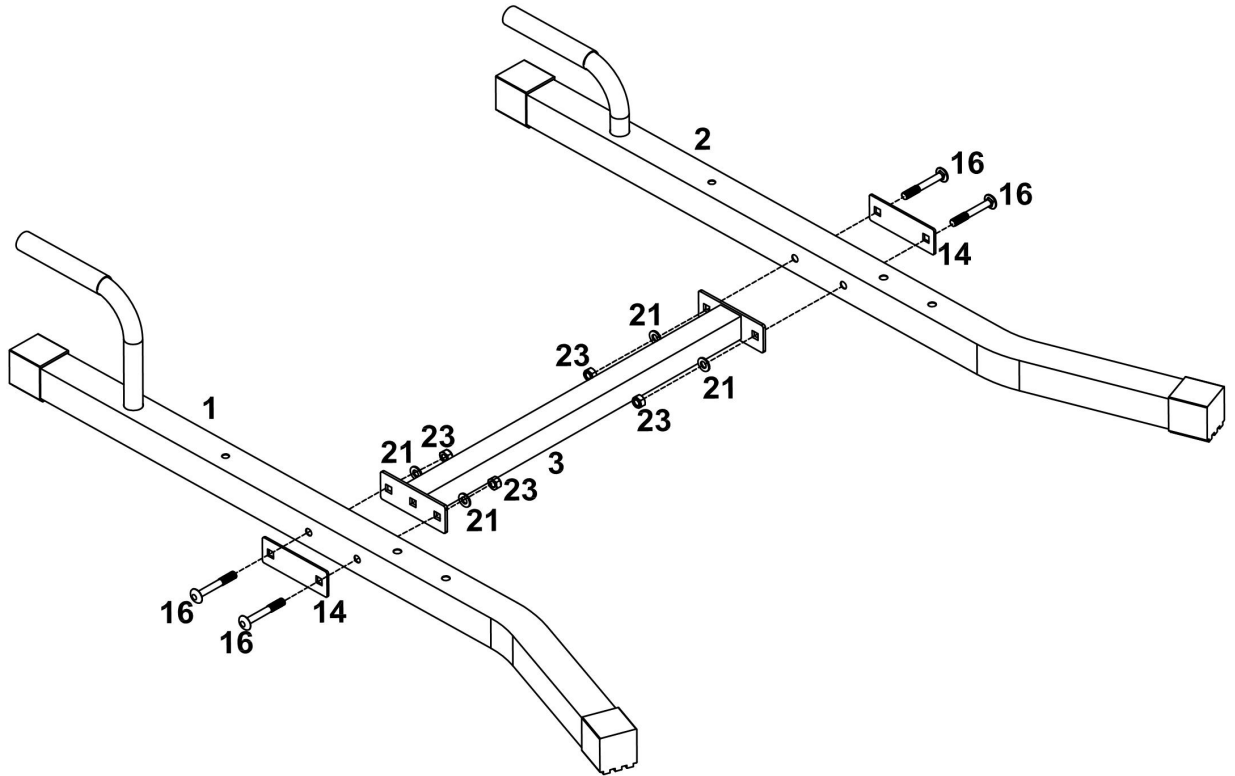
6# Allen Bolt Wrench X1

## Tools prepared by user



Adjustable  
spanner x 2

# Assembly instructions

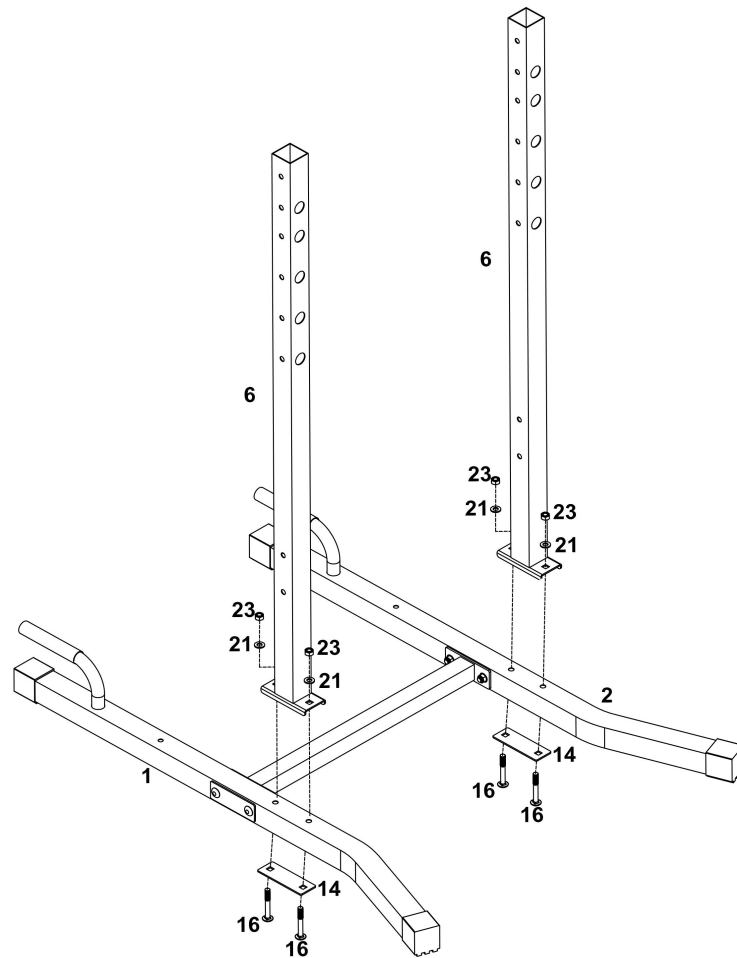


## Step 1

- A. Attached the Cross beam (3) to the Right Stabilizer (2), Align the hole and secure with 2 x M10x70mm Carriage Bolt (16), 1XBracket(14#), 2 x Ø10mm Washer (21) and 2 x M10 Aircraft Nut (23).
- B. Repeat A to secure the other end of the Cross Beam(3) to the left Stabilizer (1).

Note: Do not fully tighten the bolts and nuts until getting the instruction.

# Assembly instructions

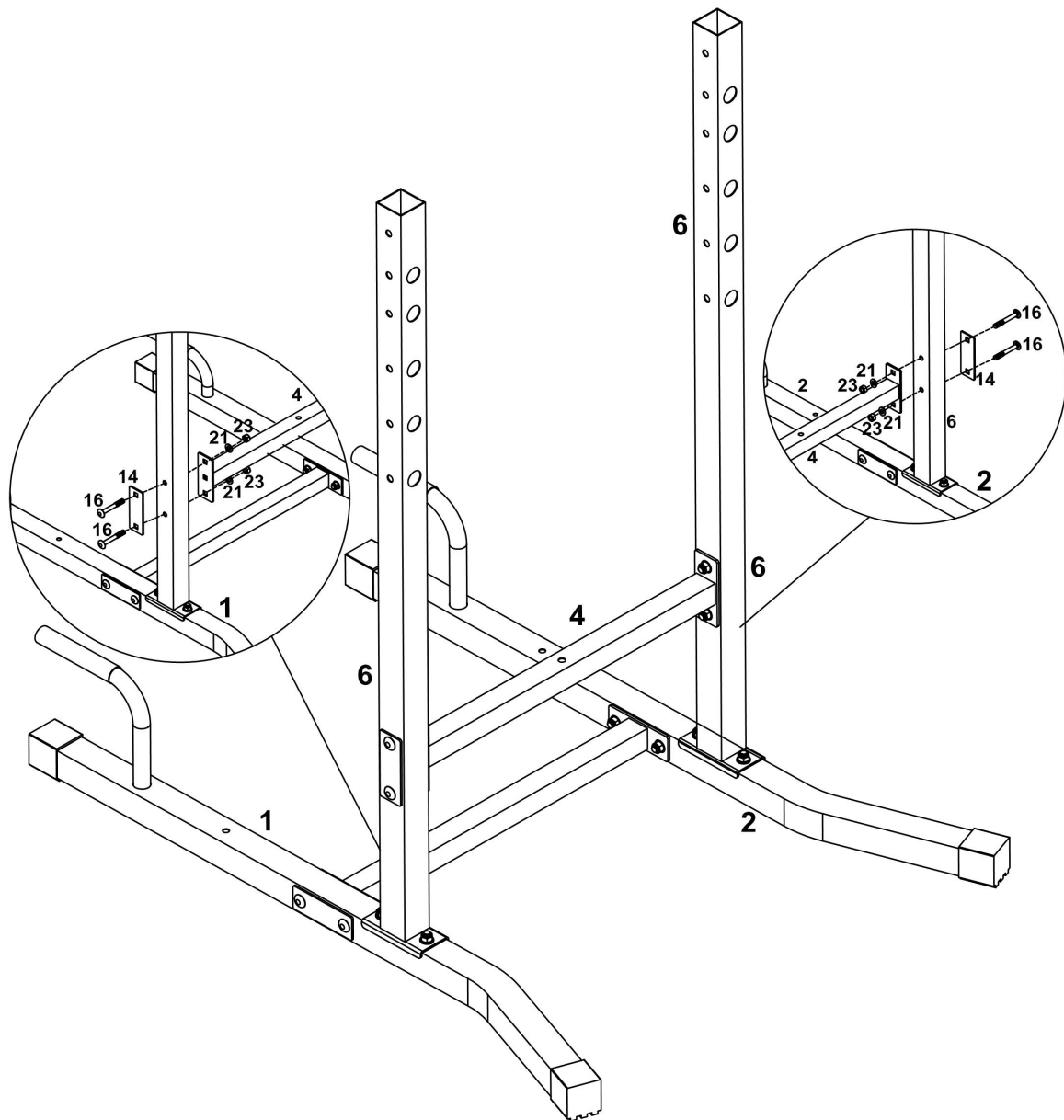


## Step 2

- A. Attach one Lower Vertical Frame (6) onto the Left Stabilizer (1) and secure them with 2xM10 Aircraft Nut(23), 2x10mmWasher (21),1xBracket (14) and 2xM10x70mm Carriage Bolt (16).
- B. Repeat the same way in A to install the other Lower Vertical Frame(6).

Note: Do not fully tighten the bolts and nuts until getting the instruction.

# Assembly instructions



## Step 3

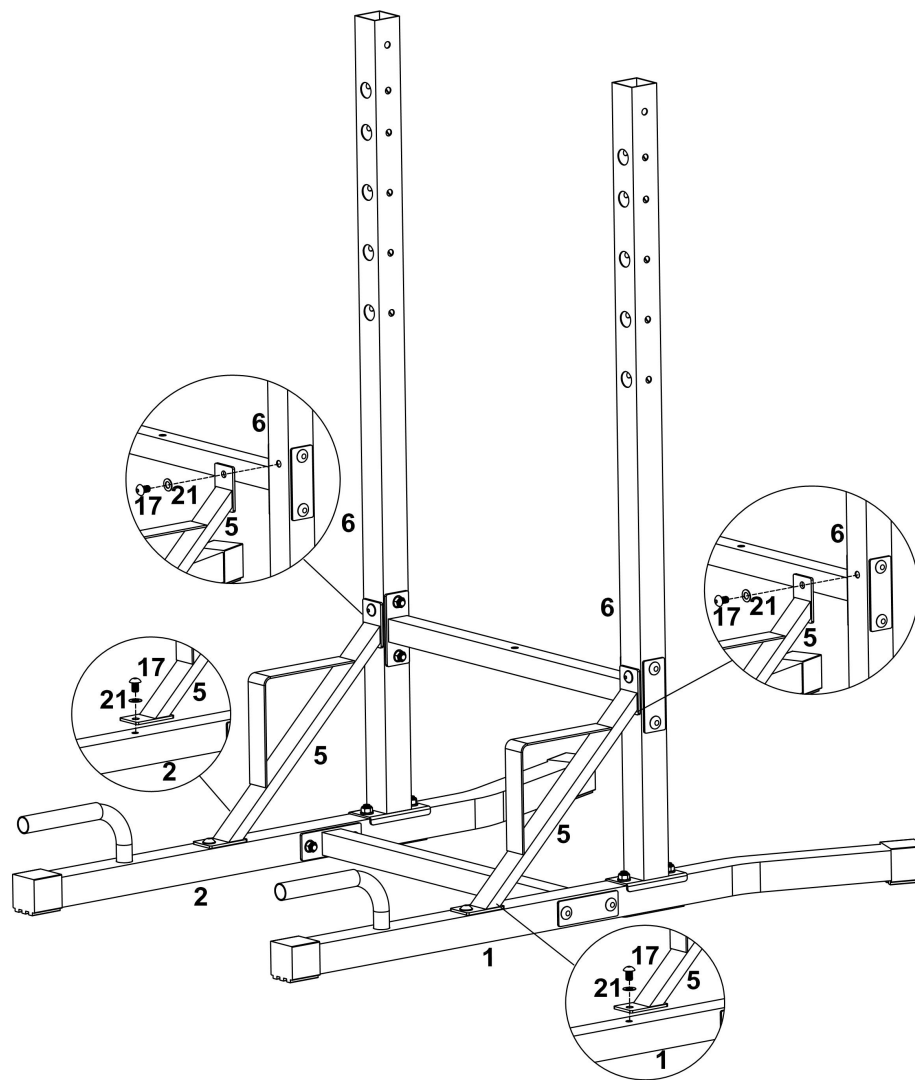
Attach one end of the Low Connection Frame(4) to one Lower Vertical Frame(6),Align the hole and secure with 2 x M10x70mm Carriage Bolt (16),1XBracket(14), 2 x Ø10mm Washer (21) and 2 x M10 Aircraft Nut (23).

Repeat the above to install the other end of the Low Connection Frame(4) with the other Lower Vertical Frame(6) together.

Note: Do not fully tighten the bolts and nuts until getting the instruction.



# Assembly instructions



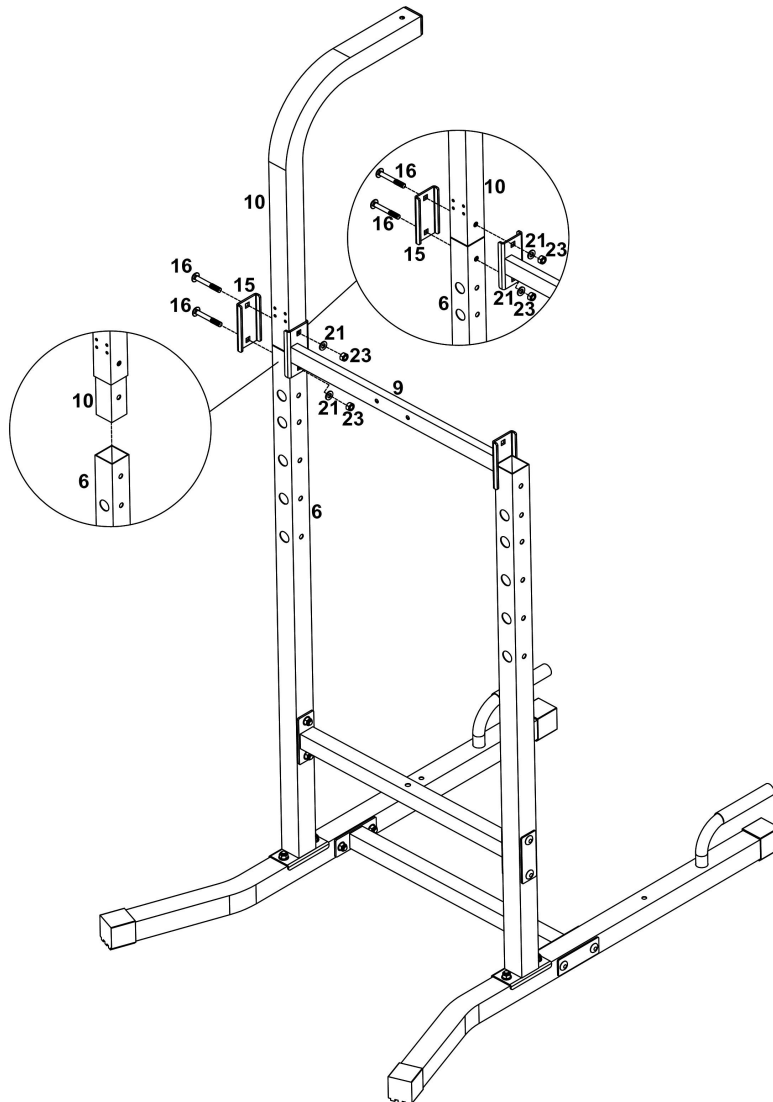
## Step 4

Attach the Foot Support(5) to the stabilizer(1) and lower vertical frame (6) together, align the hole and secure with 2 x M10x20mm Allen Bolt (17), 2 x Ø10mm Washer (21) .

Repeat the same above information to install the other foot support.

Note: Do not fully tighten the bolts and nuts until getting the instruction.

# Assembly instructions

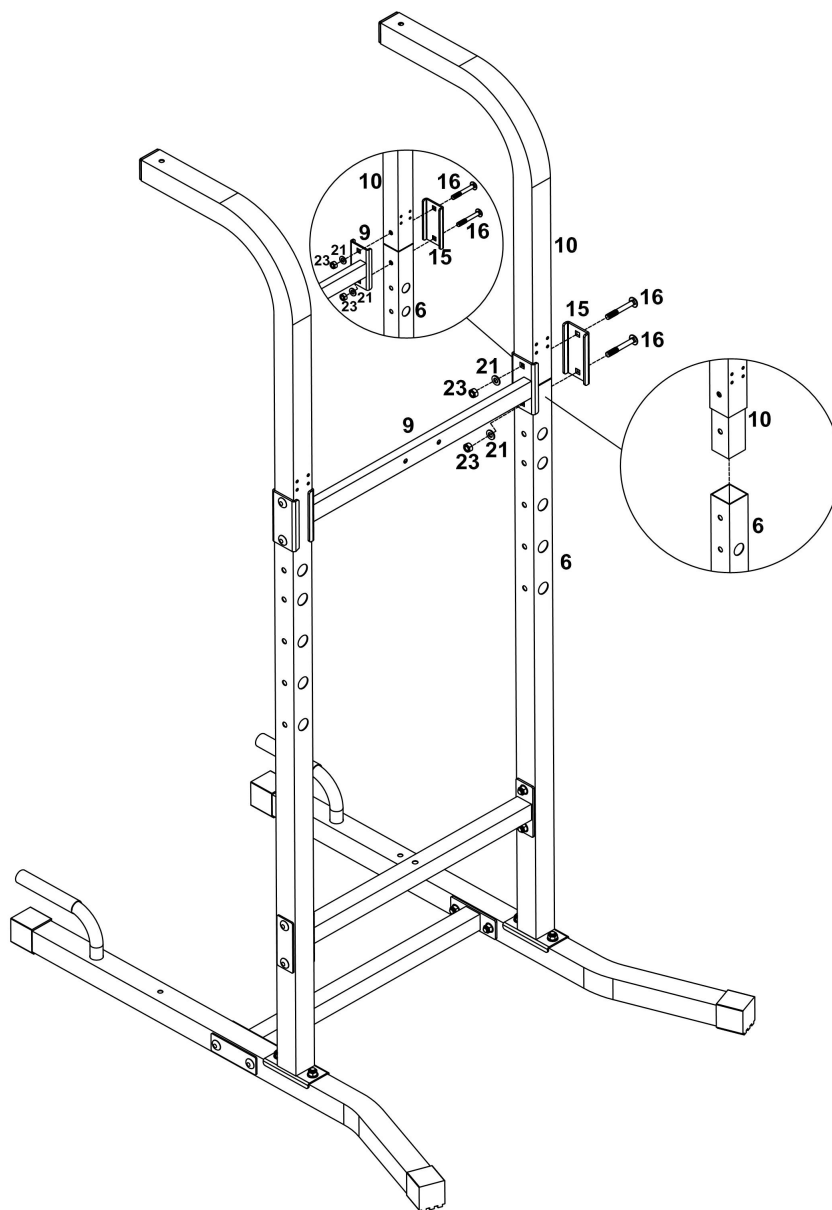


## Step 5

Insert the 1X Upper Frame(10) into the Lower Vertical Frame(6) , Attach the Backrest pad support (9) with them together, Align the hole and secure with 2 x M10x70mm Carriage Bolt (16),1X bracket(15), 2 x Ø10mm Washer (21) and 2XM10 Aircraft nut(23).

Note: Do not fully tighten the bolts and nuts until getting the instruction.

# Assembly instructions

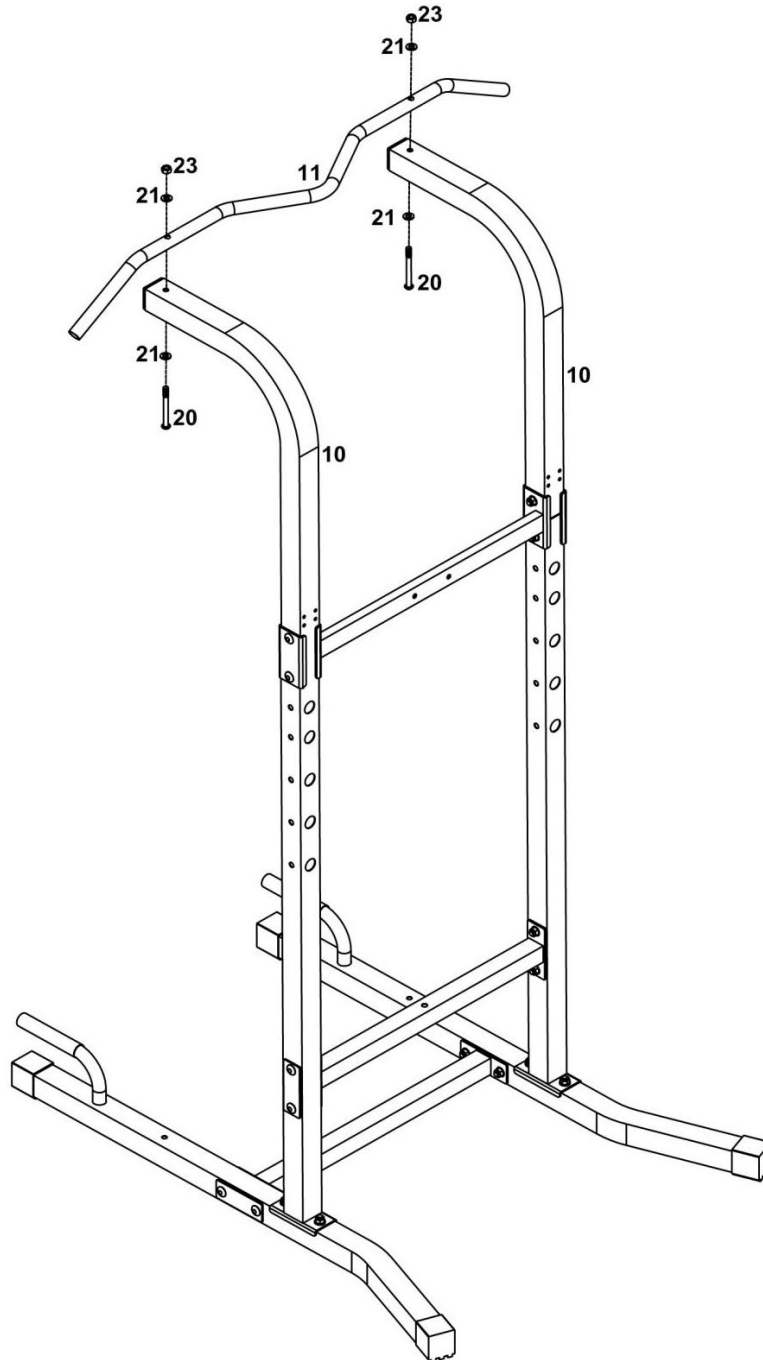


## Step 6

Repeat the Step 5 to install the other end of the Backrest pad support (9) , Upper Frame(10) and Lower Vertical Frame(6) together.

Note: Do not fully tighten the bolts and nuts until getting the instruction.

# Assembly instructions

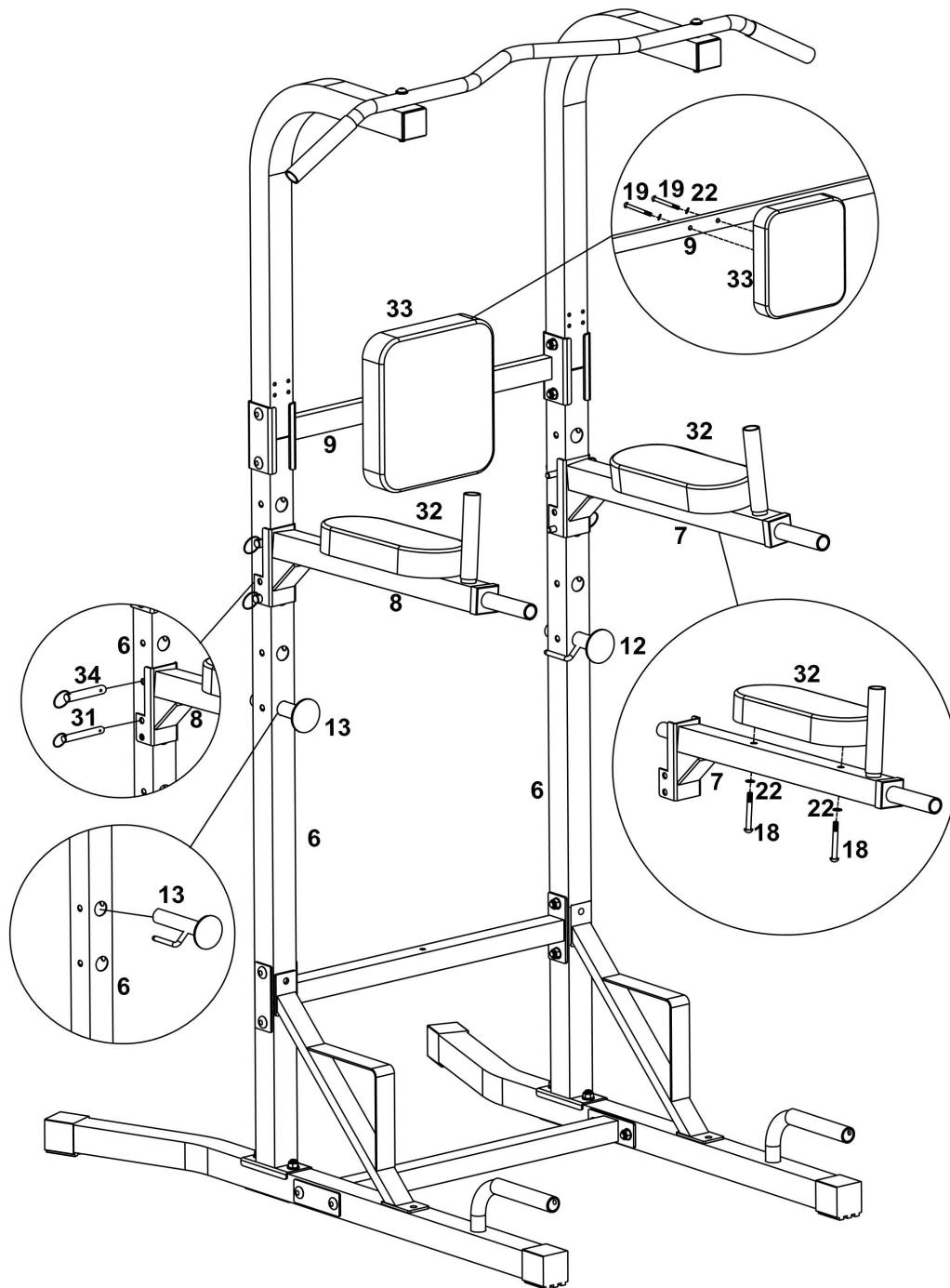


## Step 7

Attach the Chin Up Bar(11) as the diagram shows, Align the hole and secure with 2x M10x90mm Allen Bolt (20),4 x Ø10mm Washer (21) and 2XM10 Aircraft nut(23).

Note: Do not fully tighten the bolts and nuts until getting the instruction.

# Assembly instructions

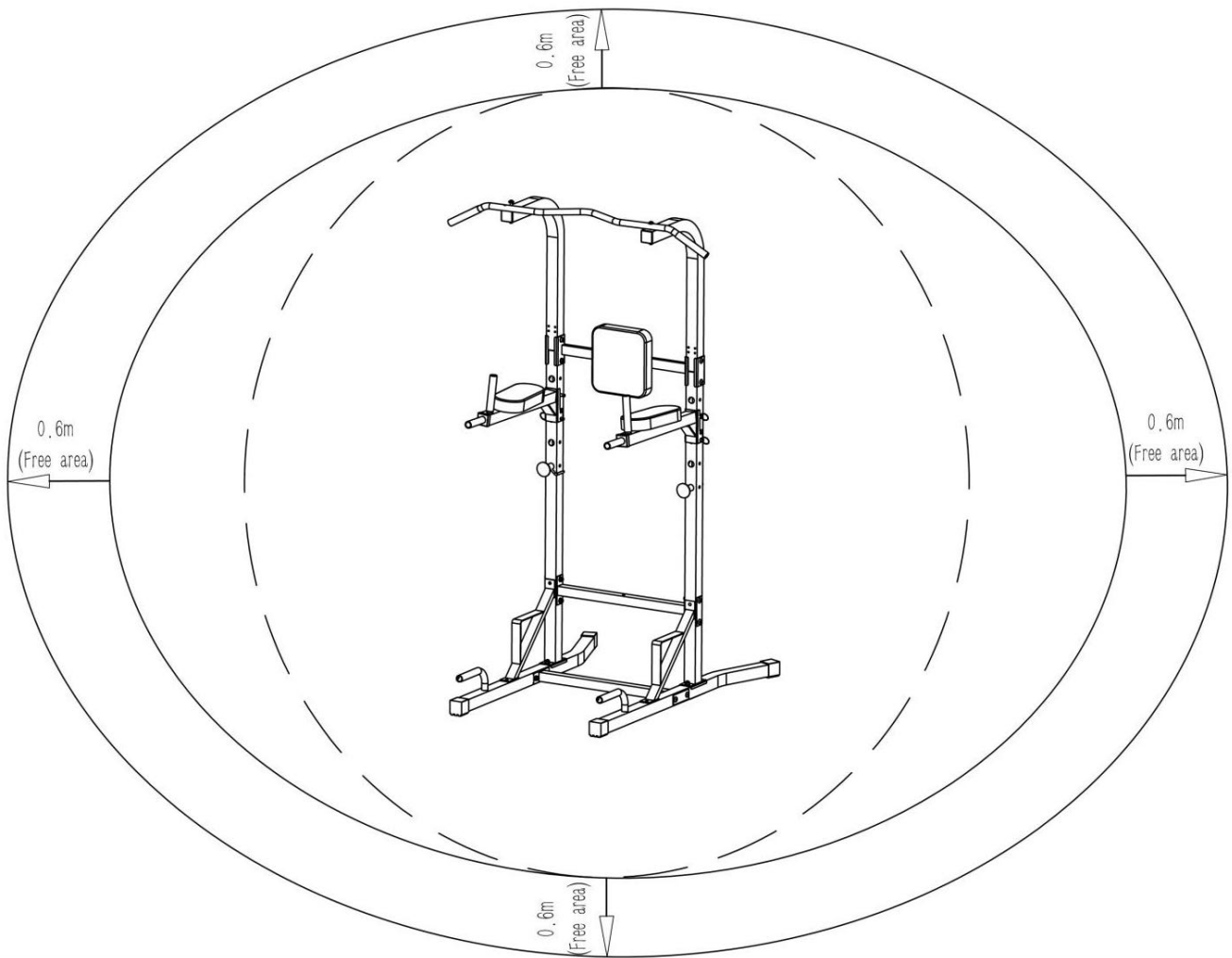


## Step 8

- Attach the Backrest Pad(33) to the Backrest Pad Support, Align the hole and secure with 2 x M8x40mm Allen Bolt (19),2x Ø8mm Washer (22) .
  - Attach the Left Dip Support(7) to the Lower Vertical Frame and secure it with **1X75mm Lock Pin(31)** and **1X70 mm Lock Pin(34)**. Place the Arm Pad(32) onto the Left Dip support(7) and secure it with 2x M8x60mm Allen Bolt (18),2 x Ø8mm Washer (22) .
  - Install the Right Dip Support(8) and Arm Pad(32) with the same way in B. you could select the desired height when using.
  - Insert the Left bar support& Right bar support (12&13) to the hole as the diagram shows.
- Note: Fully tighten the bolts and nuts now.

# Workout Area

The free area must be at least 0.6m greater than the training area. This is a space where you can safely dismount, without obstruction, in case of an emergency. Where two pieces of equipment are positioned adjacent to each other the free area may be shared.



Only one person should be within the training area when the equipment is in use.

## Before starting

Tailor your exercise program according to your physical condition. If you have been inactive for several years, or are overweight, you must start slowly and increase your time on the equipment; a few minutes per workout increase is advisable.

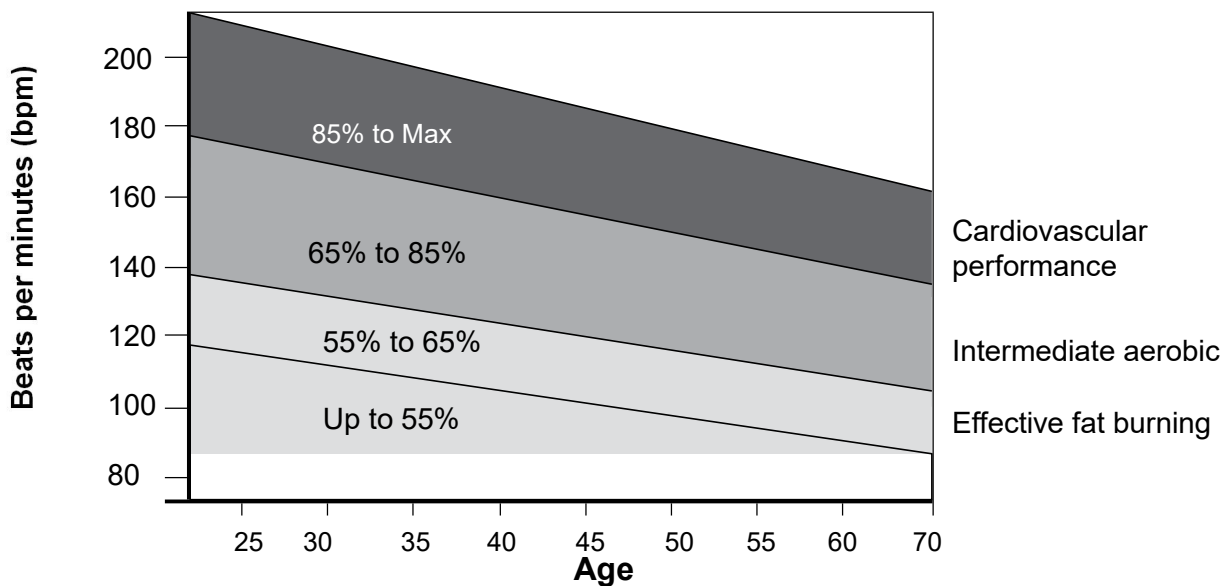
Initially, you may be able to exercise only for a few minutes in your target zone, however, your aerobic fitness will improve over the next six to eight weeks. Don't be discouraged if it takes longer. It's important to work at your own pace.

### ***Please remember these essentials:***

- Have your doctor review your training and diet programs to advise you of a workout routine you should adopt.
- Begin your training program slowly with realistic goals.
- Monitor your pulse frequently. Establish your target heart rate based on your age and condition.
- Set up your equipment on a flat even surface with adequate training area, as prescribed in this manual.

### **Exercise intensity**

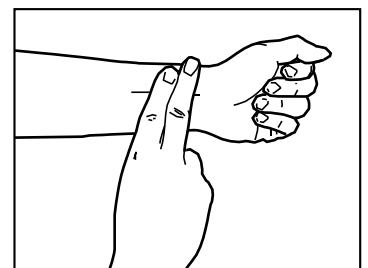
To maximize the benefits of exercising, it is important to exercise at an appropriate intensity. The intensity level can be found by using your heart rate as a guide. For effective aerobic exercise, your heart rate should be maintained at a level between 65% and 85% of your maximum heart rate as you exercise. This is known as your target zone. You can find your target zone in the table below.



During the first few months of your exercise program, keep your heart rate near the low end of your target zone as you exercise. After a few months, your heart rate can be increased gradually until it is near the middle of your target zone as you exercise.

To measure your heart rate, stop exercising but continue moving your legs or walking around and place two fingers on your wrist. Take a six-second heartbeat count and multiply the results by 10 to find your heart rate. For example, if your six-second heartbeat count is 14, your heart rate is 140 beats per minute.

(A six-second count is used because your heart rate will drop rapidly when you stop exercising.) Adjust the intensity of your exercise until your heart rate is at the required level.



# Exercise Information

## Muscle Chart

### Aerobic Exercise

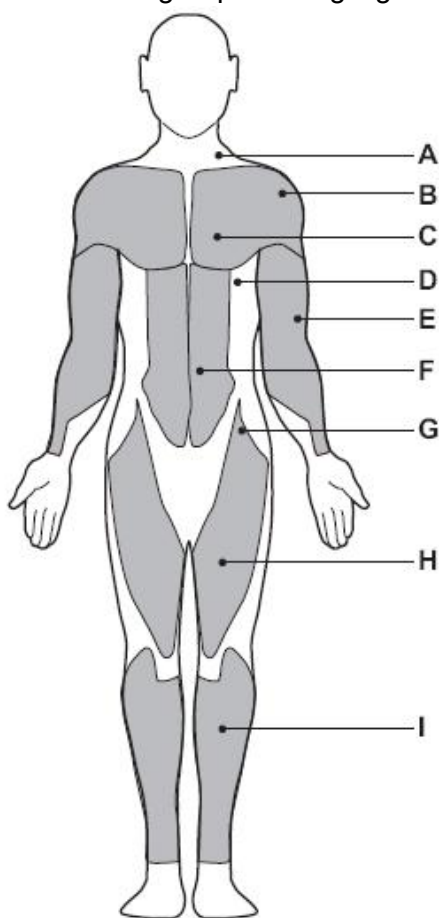
Aerobic exercise improves the fitness of your lungs and heart - your body's most important muscle. Aerobic exercise is promoted by any activity that uses your large muscles (arms, legs, or buttock, for example).

### Weight Training

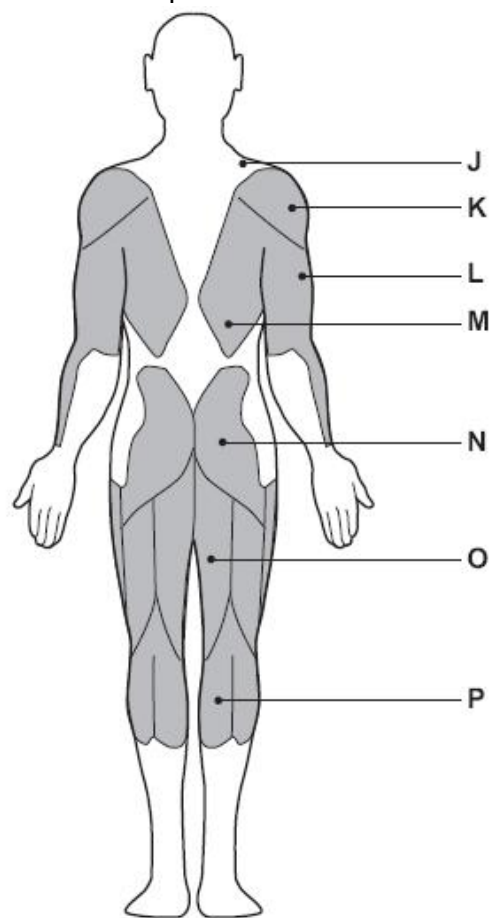
Along with aerobic exercising which helps get rid of and keep off the excess fat that our bodies can store, weight training is an essential part of an exercise routine. Weight training helps tone, build and strengthen muscle. If you are working above your target zone, you may want to do a lower number of reps.

### Targeted Muscle Groups

The exercise routine that is performed on the Power Tower will develop combined total body muscle groups. These muscle groups are highlighted on the power Tower will develop chart below.



Front



Back

A: Trapezius  
B: Anterior Deltoid  
C: Pectoralis Major  
D: Serratus Anterior

E: Biceps  
F: Abdominal  
G: Sartorius  
H: Quadriceps

I: Tibialis Anterior  
J: Trapezius  
K: Posterior Deltoid  
L: Triceps

M: Latissimus Dorsi  
N: Gluteals  
O: Hamstrings  
P: Gastrocnemius



**Each workout should include the following three parts:**

1. A warm-up, consisting of 5 to 10 minutes of stretching and light exercise. A proper warm-up increases your body temperature, heart rate, and circulation in preparation for exercise.
2. Training zone exercise, consisting of 20 to 30 minutes of exercising with your heart rate in your training zone. (**Note:** During the first few weeks of your exercise program, do not keep your heart rate in your training zone for longer than 20 minutes.)
3. A cool-down, with 5 to 10 minutes of stretching. This will increase the flexibility of your muscles and will help to reduce post-exercise muscle soreness.

## Exercise Frequency

To maintain or improve your fitness, plan three workouts each week, with at least one day of rest between workouts. After a few months of regular exercise, you may complete up to five workouts each week, if desired. Remember, the key to success is make exercise a regular and enjoyable part of your everyday life.

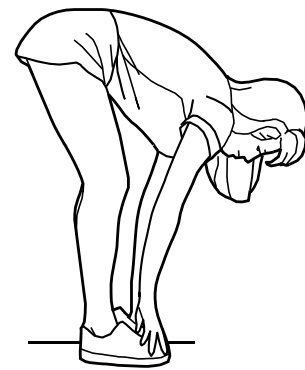
## Toe touch stretch

Stand with your knees bent slightly and slowly bend forward from your hips. Allow your back and shoulders to relax as you reach down towards your toes as far as possible.

Hold for 15 counts, then relax

Repeat 3 times.

**Stretches:** Hamstrings, back of knees and back.



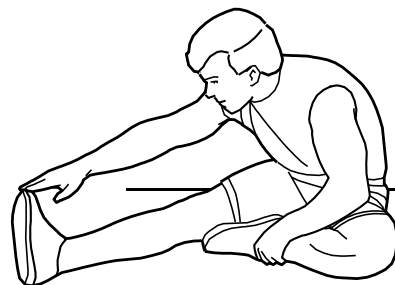
## Hamstring stretch

Sit with one leg extended. Bring the sole of the opposite foot toward you and rest it against the inner thigh of your extended leg. Reach towards your toes as far as possible.

Hold for 15 counts, and then relax.

Repeat 3 times for each leg.

**Stretches:** Hamstrings, lower back and groin.



# Exercise Information

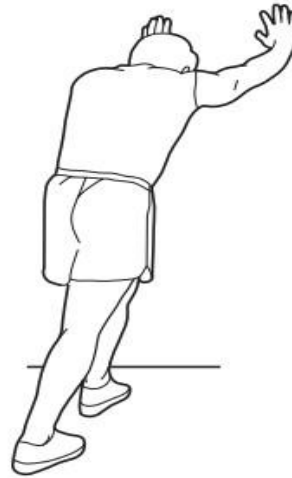
## Calf/Achilles stretch

With one leg in front of the other, reach forward and place your hands against a wall. Keep your back leg straight and your back foot flat on the floor. Bend your front leg, lean forward and move your hips toward the wall.

Hold for 15 counts, then relax.

Repeat 3 times for each leg. To cause further stretching of the Achilles tendons, bend your back leg as well.

**Stretches:** Calves, Achilles tendons and ankles.



## Quadriceps stretch

With one hand against the wall for balance, reach back and grasp one foot with your other hand. Keeping your bent knee pointing directly down towards the floor, gently pull your heel towards your buttock until you feel a gentle stretch in the target area.

Hold for 15 counts, and then relax.

Repeat 3 times for each leg.

**Stretches:** Quadriceps and Hip muscles.



## Inner thigh stretch

Sit with the soles of your feet together and your knees outwards. Pull your feet towards your groin area as far as possible, and push your knee down towards the ground.

Hold for 15 counts, and then relax.

Repeat 3 times.

**Stretches:** Quadriceps and Hip muscles.



# Exercise Information

## Using the equipment

### **Important:**

When working out, do the following for each exercise: exhale while exerting/lifting and inhale while returning to starting position in a slow and controlled manner.

- Read all caution and warning stickers before using this equipment.
- Before using, inspect the equipment for loose, frayed, or worn parts, if in doubt do not use the equipment until the parts have been replaced.
- Before beginning any exercise programme it is suggested to have a complete medical examination and to obtain your doctor's approval of your exercise/conditioning programme.
- Any clips must be closed completely before using this equipment.
- We recommend that you always exercise with a partner or someone who can assist you in case the weights become too heavy for you to lift on your own.

Always warm up your muscles before exercising. Prepare your body with easy stretching (without bouncing) and light callisthenic, for several minutes.



# Exercise Information



# Care and Maintenance

1. The safety level of the equipment can only be maintained if it is examined regularly for damage and wear e.g. ropes, pulleys and connection points.

2. Lubricate moving parts with light oil periodically to prevent premature wear.

3. Inspect and tighten all parts before using the equipment,

Replace defective components immediately and/or keep the equipment out of use until repair. Pay special attention to components most susceptible to wear.

4. The equipment can be cleaned using a damp cloth and mild non-abrasive detergent. Do not use solvents.

**5. Do not attempt to repair this equipment yourself.**

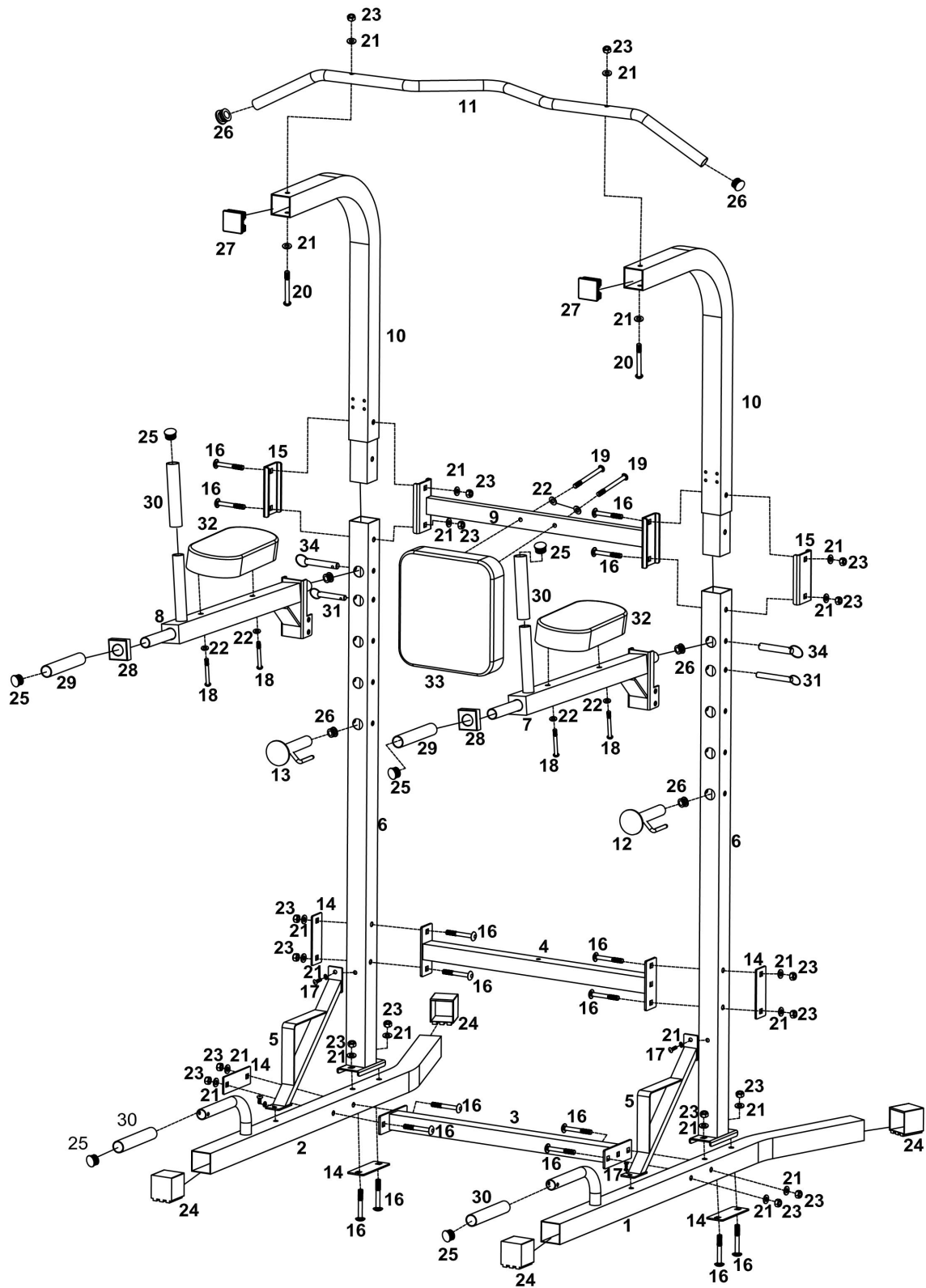
Should you have any difficulty with assembly, operation or use of your exercise product or if you think that you may have parts missing, contact **Customer Helpline: 0345 6001714**

**[www.argos-support.co.uk](http://www.argos-support.co.uk)**

#### **Guarantee:**

For guarantee purposes, please retain your purchase receipt.

# Exploded Parts Diagram



# Parts List

NO.	Description	QTY	Code	NO.	Description	QTY	Code
1	Left Stabilizer	1	2A1204736	18	M8X60 Allen bolt	4	3B51DBD00139
2	Right Stabilizer	1	2A1204735	19	M8X40 Allen bolt	2	3B51DBD00135
3	Cross Beam	1	2A1204737	20	M10X90 Allen bolt	2	3B51DBD00087
4	Connection frame	1	2A1204745	21	φ10 washer	24	3B53DIB00002
5	Foot support	2	2A1204738	22	Φ8 washer	6	3B53DIB00003
6	Lower Vertical Frame	2	2A1204739	23	M10 Aircraft nut	18	3B52DCC00002
7	Left dip support	1	2A1204741	24	□50 Foot	4	3C51JBC00010
8	Right dip support	1	2A1204740	25	φ25×1.5 End Cap	6	3C51JBB00006
9	Backrest pad support	1	2A1204744	26	φ25×2.0 End Cap	6	3C51JBB00008
10	Upper frame	2	2A1204742	27	□50X2.0 End Cap	2	3C51JBB00043
11	Chin up bar	1	2A1204743	28	□45×φ26 Sleeve	2	3C51JBE00013
12	Left bar support	1	2A1204747	29	φ24×120 Handle grip	2	3C73K00029
13	Right bar support	1	2A1204746	30	φ24×150 Handle Grip	4	3C73K00032
14	Bracket	6	2A1202485	31	75mm lock pin	2	3C51JBD00081
15	U-shape Bracket	2	2A1202492	32	Arm pad	2	2A0302340
16	M10X70 Carriage bolt	16	3B51DBC00016	33	Backrest pad	1	2A0302341
17	M10X20 Allen bolt	4	3B51DBD00055	34	70mm lock pin	2	3C51JBD00085

# Guarantee



## Product Guarantee

This product is guaranteed against manufacturing defects from a period of



Year

This product is guaranteed for twelve months from the date of original purchase. Any defect that arises due to faulty materials or workmanship will either be replaced, refunded or repaired free of charge where possible during this period by the dealer from whom you purchased the unit.

The guarantee is subject to the following provisions:

- The guarantee does not cover accidental damage, misuse, cabinet parts, knobs or consumable items.
- The product must be correctly installed and operated in accordance with the instructions contained in this manual.
- It must be used solely for domestic purpose.
- The guarantee will rendered invalided if the products is re-sold or has been damaged by inexpert repair.
- Specifications are subject to change without notice.
- The manufacturer disclaims any liability for the incidental or consequential damages.
- The guarantee is in addition to, and does not diminish your statutory or legal right.
- In the event of problem with the product with in the guarantee period call

**Customer Helpline: 0345 6001714 [www.argos-support.co.uk](http://www.argos-support.co.uk)**

Argos Limited, 489-499 Avebury

Boulevard, Milton Keynes, MK9 2NW. Argos (N.I.) Ltd.

Forestside Shopping Centre, Upper Galwally, Belfast, United

Kingdom, BT8 6FX. Argos Distributors (Ireland) Limited, Unit 7,

Ashbourne Retail Park, Ballybin Road, Ashbourne, County Meath, Ireland