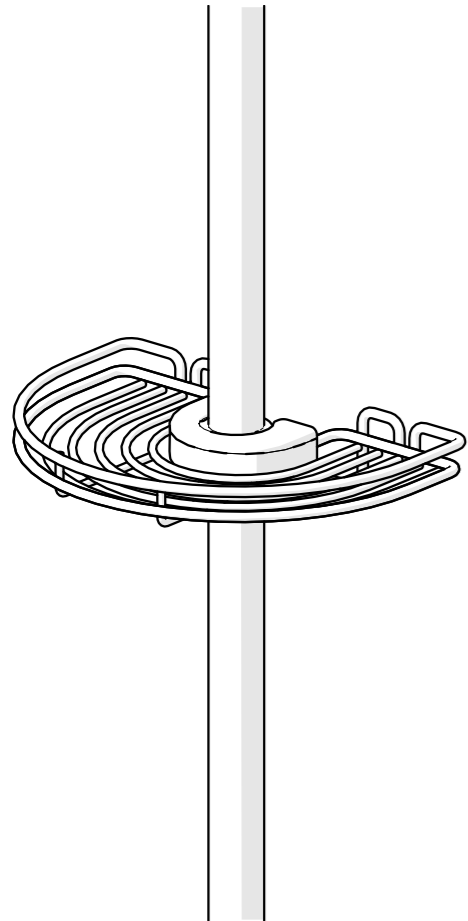
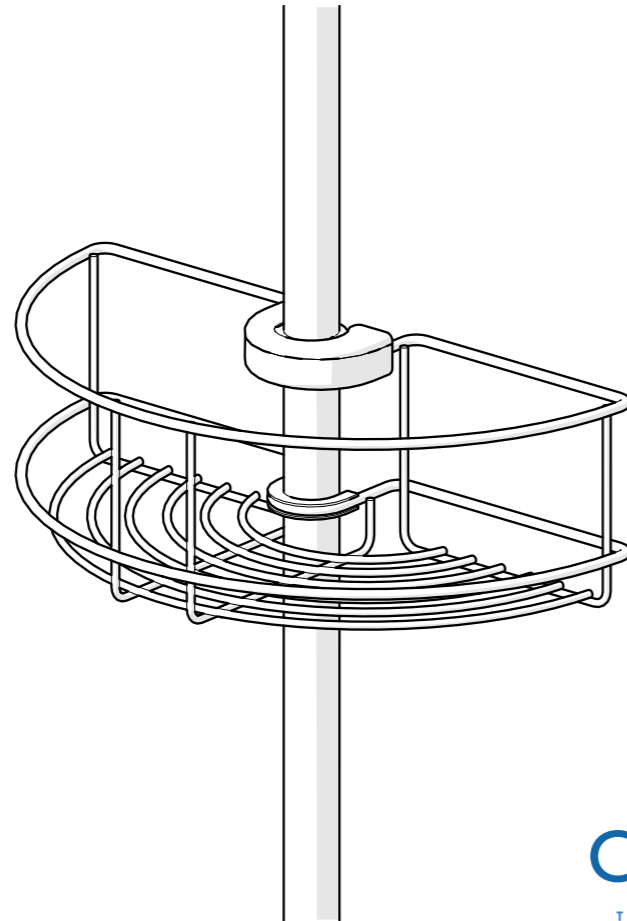


**RISER RAIL SOAP BASKET
QM261441**



**RISER RAIL BASKET
QM261041**



SAFETY AND CARE

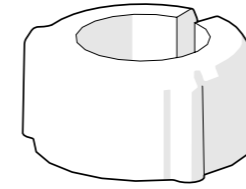
1. To retain the best quality finish, clean product regularly with a soft damp cloth.
2. Do not use abrasive or chemical cleaners, as these may damage the product.
3. The maximum safe working load for the basket is 2kg distributed evenly.

NOTE:

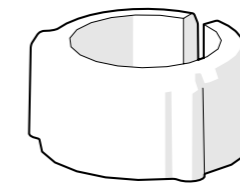
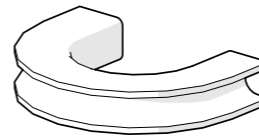
If you are having trouble sliding the securing clip onto the Rubber Collet, place the Collet in hot water to increase its flexibility. This should make the installation easier.



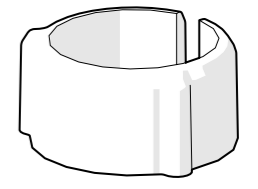
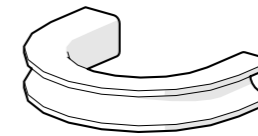
- 1 Measure the diameter of the riser rail and choose the most appropriate Collet to fit your rail.



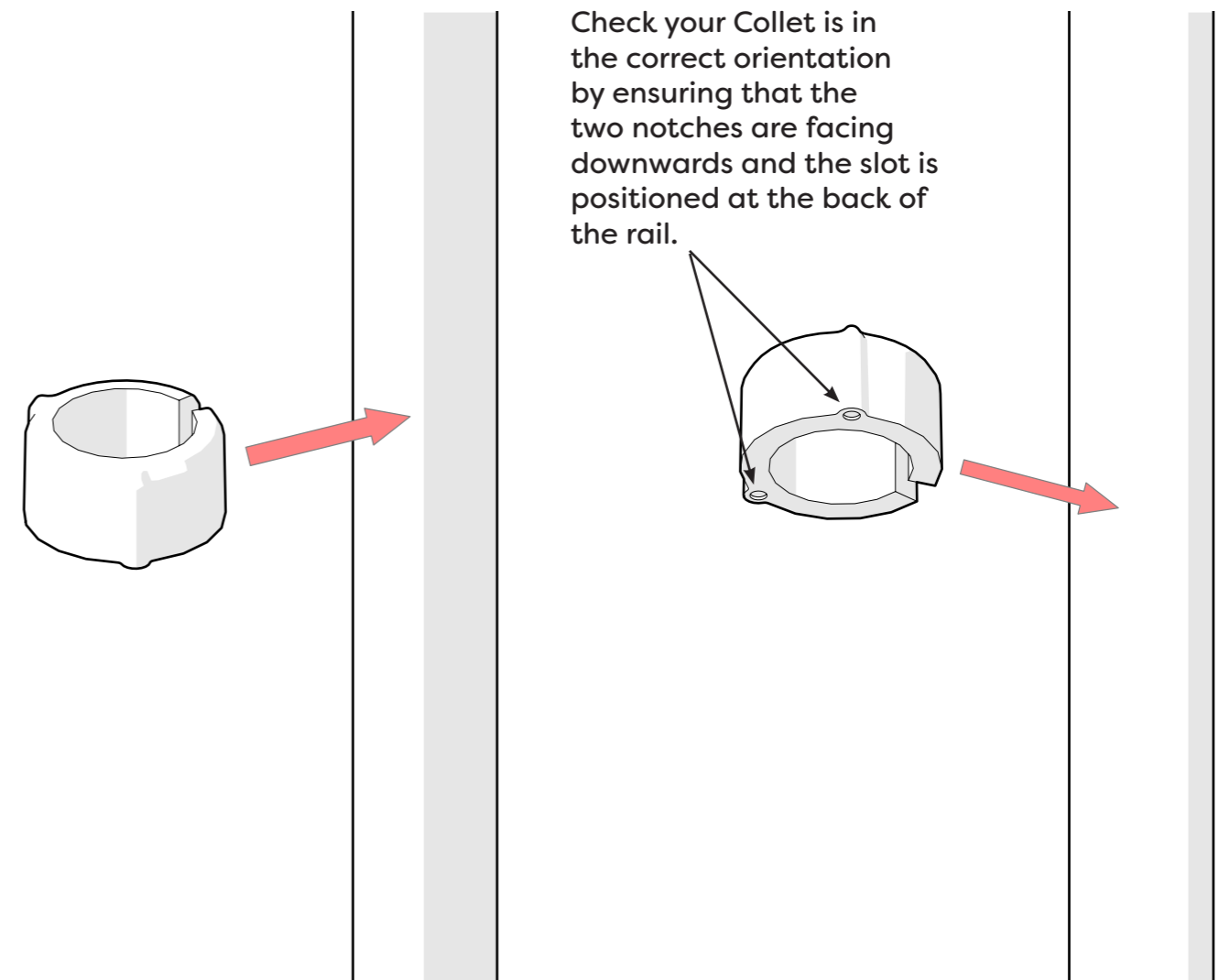
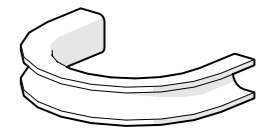
**18MM - 21MM
COLLET AND
U-COMPONENT**



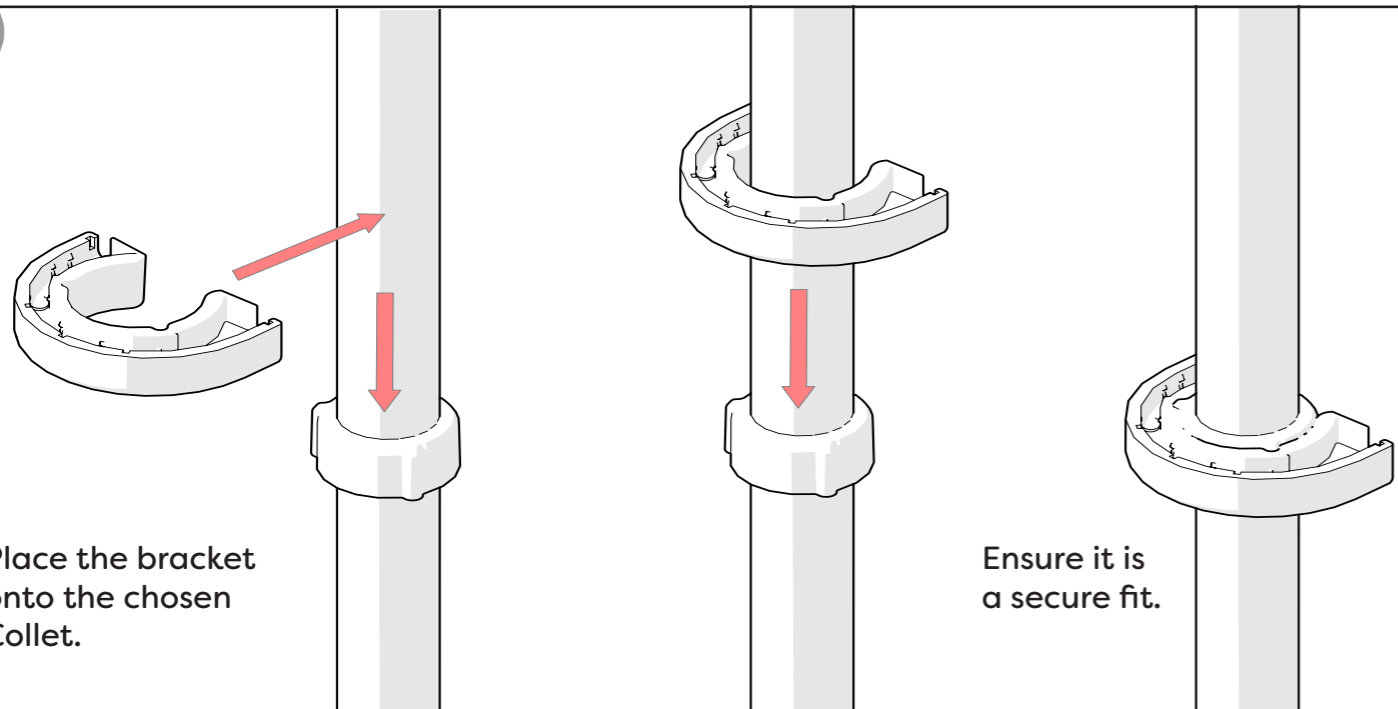
**21MM - 24MM
COLLET AND
U-COMPONENT**



**24MM - 27MM
COLLET AND
U-COMPONENT**



2

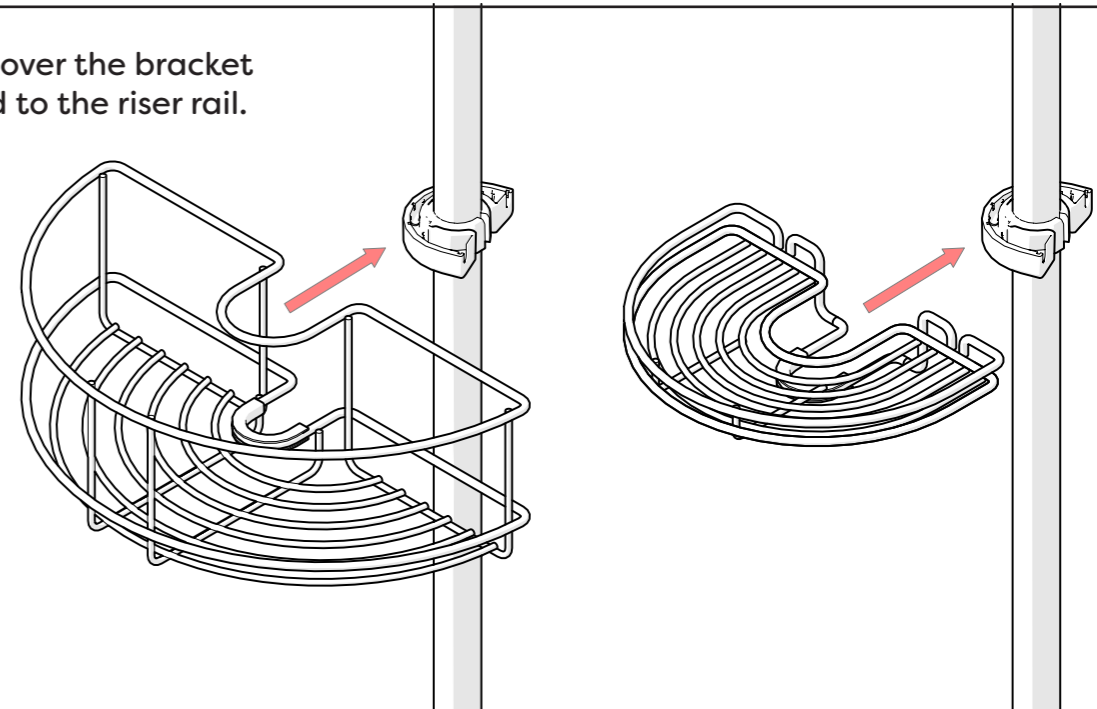


Place the bracket onto the chosen Collet.

Ensure it is a secure fit.

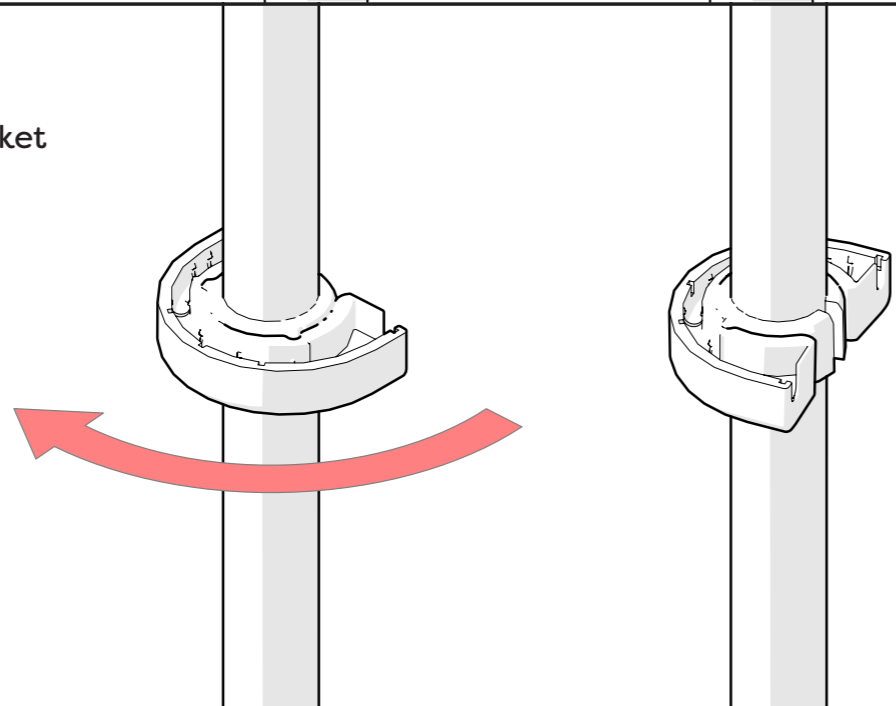
5

Place the basket over the bracket which is attached to the riser rail.



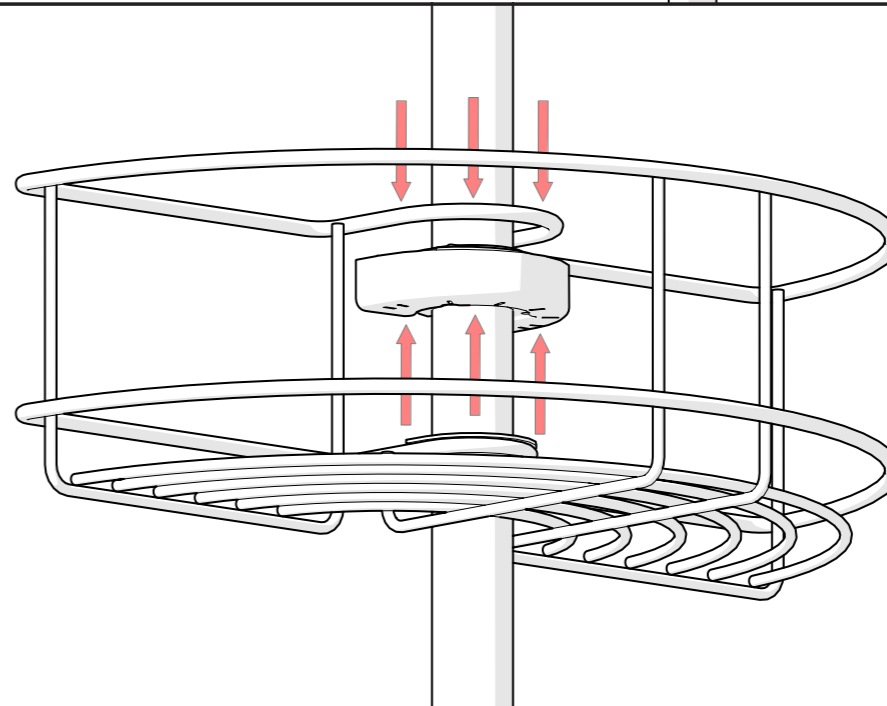
3

You may need to rotate the bracket slightly when mounting your Riser Rail Basket or Riser Rail Soap Basket.



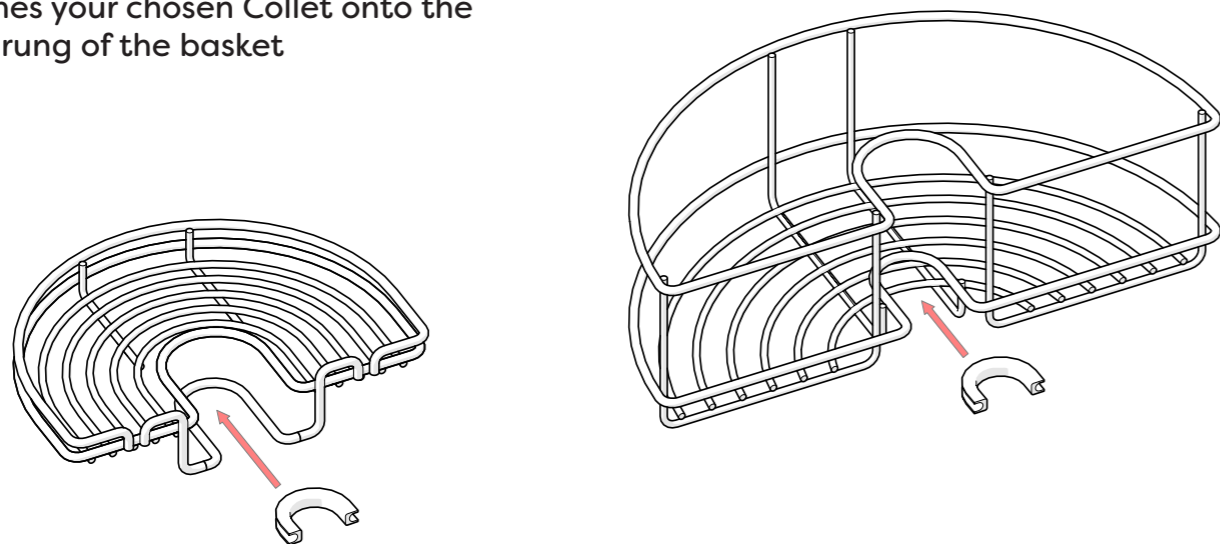
6

Press the upper wire of the basket and the bracket together until it is locked in place.



5

Insert the U-Component which matches your chosen Collet onto the lower rung of the basket



7

Press the cap into position on the bracket.

