

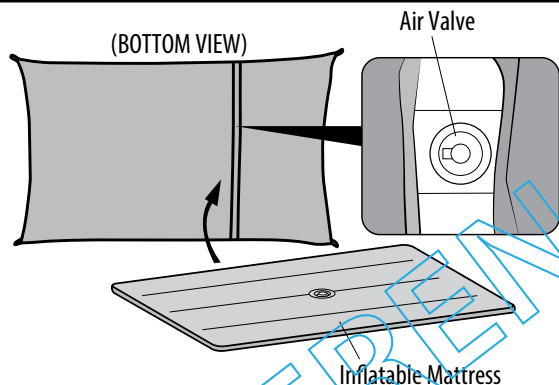
My Dream Den with Lights

STEP 1

Unfold the inflatable mattress and insert into the base of the Dream Den uninflated, ensuring that the air valve is facing out and orientated by the insertion for access.

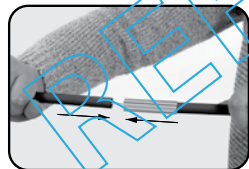
STEP 2

Inflate the air bed. We recommend an electric pump.



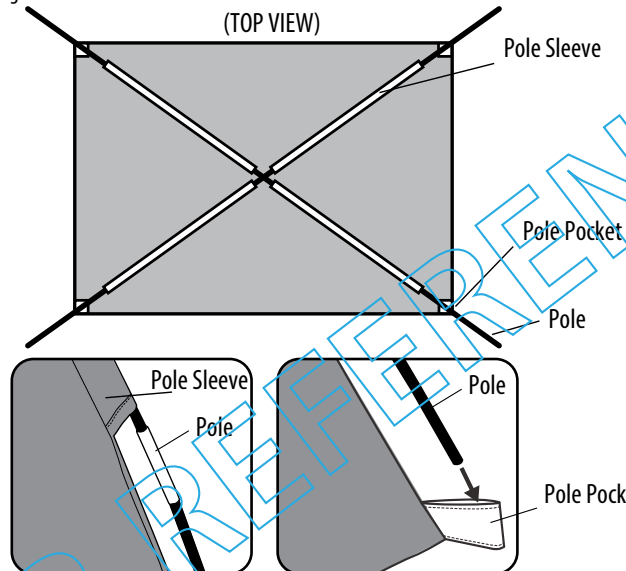
STEP 3

Connect pole connectors to create two long poles.

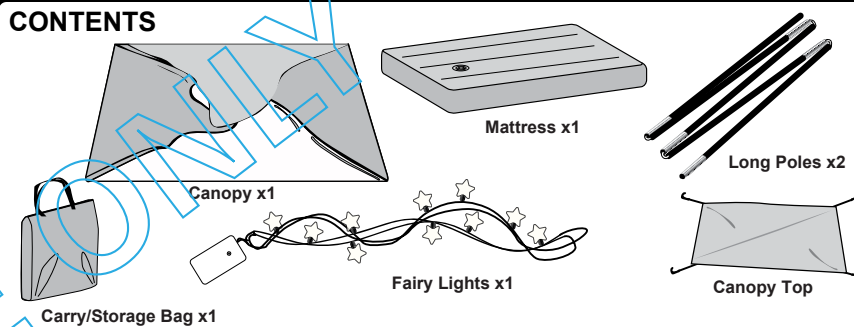


STEP 4

Turn the Dream Den upright and insert the poles. Feed the poles through the fabric guides and into the corner tabs to anchor.

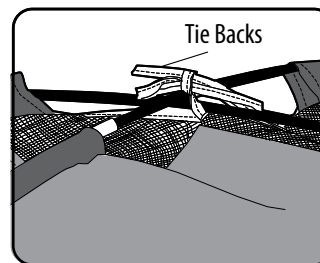


CONTENTS



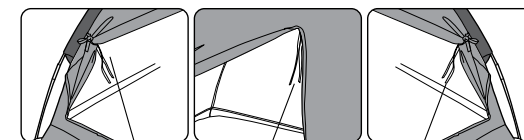
STEP 5

Secure the canopy to the frame by tying the Tie Backs around the poles where they cross over.



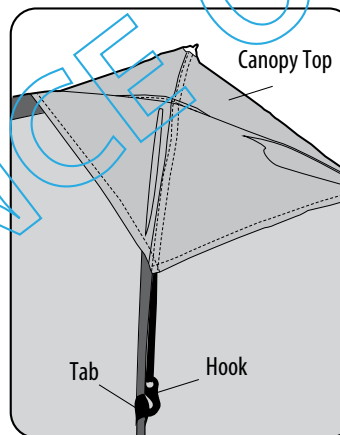
INSTALLATION OF THE FAIRY LIGHTS

To hang the fairy lights to the Dream Den, attach the lights by tying the tie backs to the lights located around the opening of the Dream Den (top, left and right).



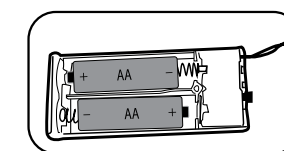
STEP 6

Attach the Canopy Top to the top of the Dream Den by inserting the hooks into the 4 tabs located on the pole sleeves.

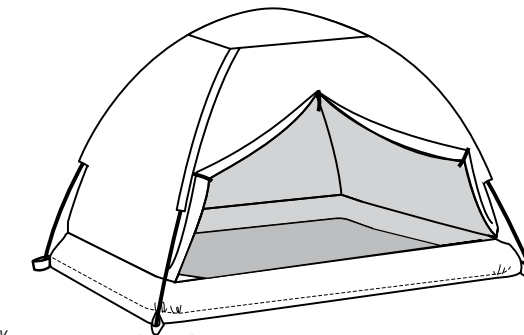


INSTALLATION OF FAIRY LIGHT BATTERIES

Unscrew, slide and remove the battery cover. Install 2 x AA battery (1.5V) in correct polarity. Replace the battery cover and screw. Switch the power on.



Note: Batteries not included.



Important owner's information

This product must be assembled by an adult.

This tent is a toy and not suitable for camping use.

Do not leave outside when not in use.

Clean with warm soapy water and air dry only.

Hand wash only.

Material: 100% polyester for tent. PVC for the mattress.

The batteries must be installed/replaced by an adult only.

Non-rechargeable battery are not to be charged

Rechargeable batteries are to be removed from the product before being charged.

Rechargeable batteries are only to be charged under adult supervision.

Different types of batteries or new and used batteries are not to be mixed.

Only batteries of the same or equivalent type as recommended are to be used.

Batteries are to be inserted with the correct polarity.

Exhausted batteries are to be removed from the toy.

The supply terminals are not to be short-circuited.

WARNINGS:

Not suitable for children under 3 years. Small part and long cord.

Choking and strangulation hazard.

Keep away from fire.

Only for domestic use.

50kg maximum.

It is NOT an aquatic toy. Never use it on water."



Waste electrical products should not be disposed with household waste. Separate disposal facilities exist. For your nearest facilities see www.recycle-more.co.uk or in-store for details.

CUSTOMER HELPLINE

MV has taken great care to ensure that this product has reached you in good condition. Should you have a query, please contact: customer.services@mvsports.com where your query will be dealt with promptly. Alternatively, you can call on 0121 748 8017.

DISTRIBUTED BY



MV SPORTS & LEISURE LTD
35 Tameside Drive • Castle Bromwich
Birmingham • B35 7AG • UK
www.mvsports.com

Design and specification may vary
Please retain this leaflet for reference to the manufacturer
Carefully made in China to European Safety Standards.



This mark denotes compliance with the standards laid down by the EC (European Community).