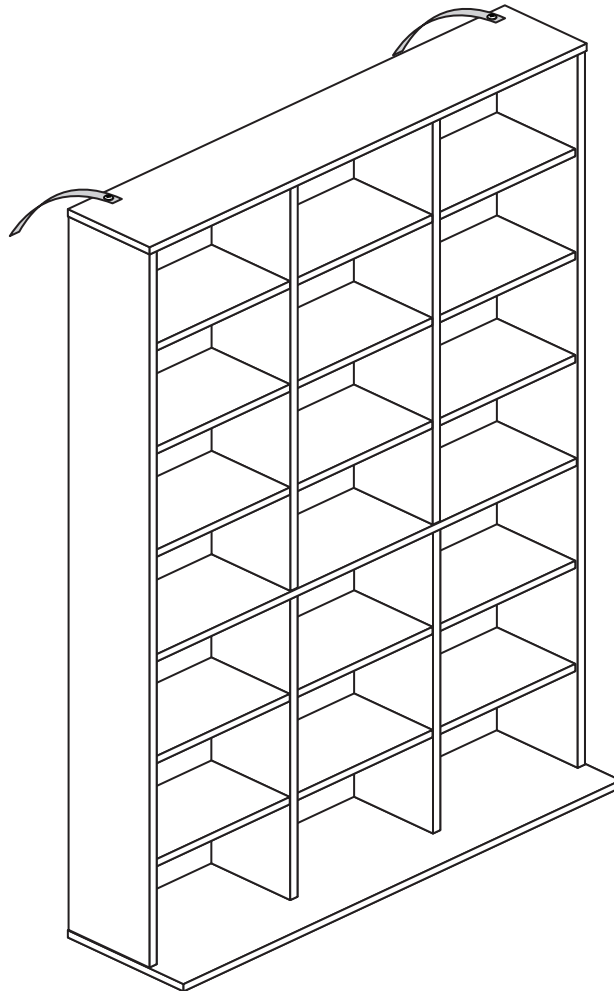


Islington - Media Unit

Assembly Instructions - Important: Retain these instructions for future reference

932/6943

HOME



WARNING!

In order to prevent overturning, this product must be used with the 2 wall attachment devices provided

Dimensions

Width - 90.5cm

Depth - 24cm

Height - 150.5cm

More help is available throughout this booklet by scanning in the QR codes or typing in the links



MADE IN
BRITAIN

Important - Please read these instructions fully before starting assembly

If you need help or have damaged or missing parts, please visit www.argos-support.co.uk or email: Help@ClickSpares.co.uk (quoting your original order number)

Alternatively, call the Spares Helpline on: 0330 016 1114

For any other queries please contact the Customer Helpline on: 0345 640 2020



Safety and Care Advice

Important - Please read these instructions fully before starting assembly

- **Warning:** This unit weighs approximately 28kgs. Please lift with care.
- Assembly to be carried out by a competent adult only.
- Check you have all the components and tools listed on pages 2 and 3.
- Remove all fittings from the plastic bags and separate them into their groups.
- During assembly children should be kept away from the product due to possible risk of injury.
- Installation shall only be carried out exactly according to the manufacturer's instructions - otherwise a safety risk can occur if incorrectly installed.

- Parts of the assembly will be easier with 2 people.
- Make sure you have enough space to layout the parts before starting.
- Do not stand or put weight on the product, this could cause damage.
- Assemble the item as close to its final position (in the same room) as possible.
- Assemble on a soft level surface to avoid damaging the unit or your floor (use opened out unit carton).



- We do not recommend the use of power drill/drivers **for inserting screws**,

as this could damage the unit. Only use hand screwdrivers.

- **WARNING:** To prevent possible overbalancing this unit **must be secured** to a wall using the 2 overbalance protector kits supplied.
- Dispose of all packaging carefully and responsibly.
- Do not use this item if any components are missing or damaged.

Care and maintenance

- Only clean using a damp cloth and mild detergent, do not use bleach or abrasive cleaners.
- Regularly check all fastenings to ensure that they are properly tightened.
- This product should not be discarded with household waste. Take to your local authority waste disposal centre.

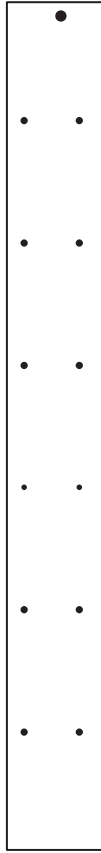
Note: If required the next page can be cut out and used as reference throughout the assembly. Keep this page with these instructions for future reference.

Components - Panels

Please check you have all the panels listed below



1 Left Side (D0825A)
(147.5 x 16.7cm)



2 Right Side (D0826A)
(147.5 x 16.7cm)



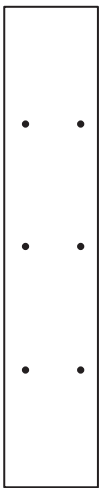
3 Top (D0827A)
(90.3 x 16.9cm)



4 Base (D0828A)
(90.3 x 23.9cm)



5 Middle Shelf (D0829A)
(87 x 16.5cm)



6 Top Upright (D0830A)
(83.6 x 16.3cm) X 2



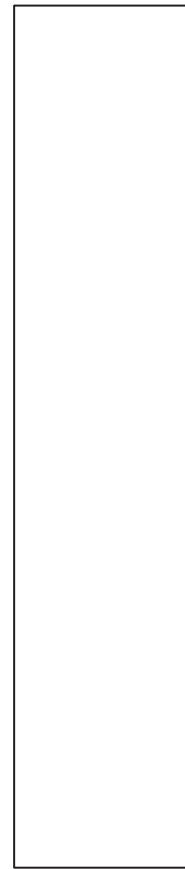
7 Bottom Upright (D0831A)
(62.4 x 16.3cm) X 2



8 Shelf (D0832A)
(28 x 16.1cm) X 15



9 Middle Back (X802)
(150 x 29.4cm)





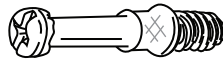


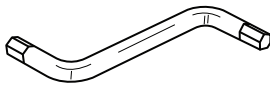
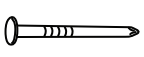

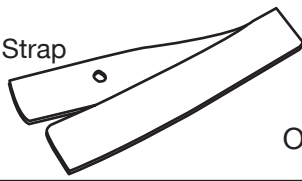


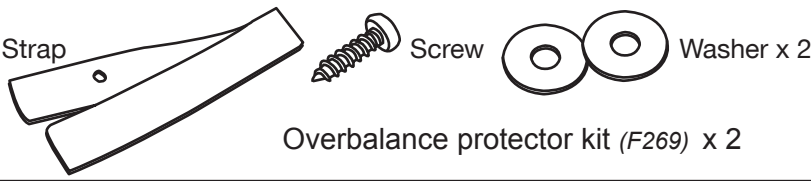
10 Back (X1500-300)
(150 x 30cm) X 2



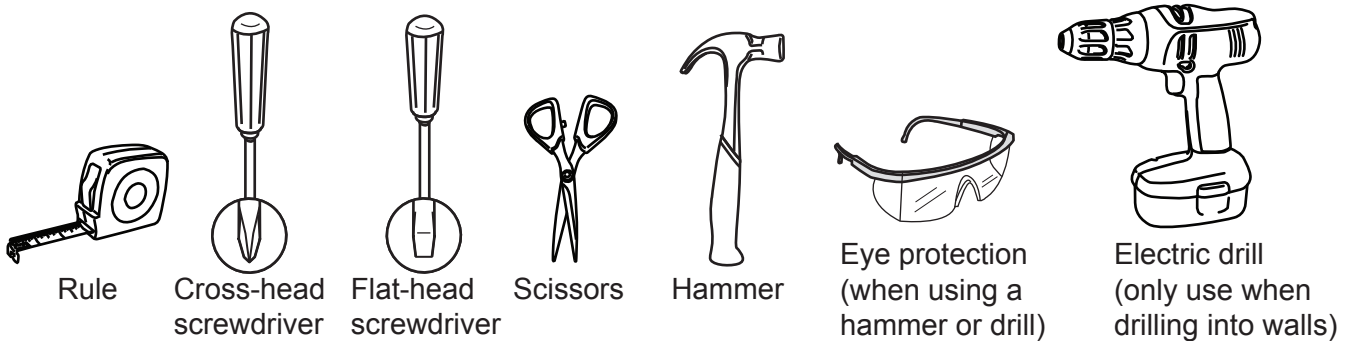
Components - Fittings

Please check you have all the fittings listed below

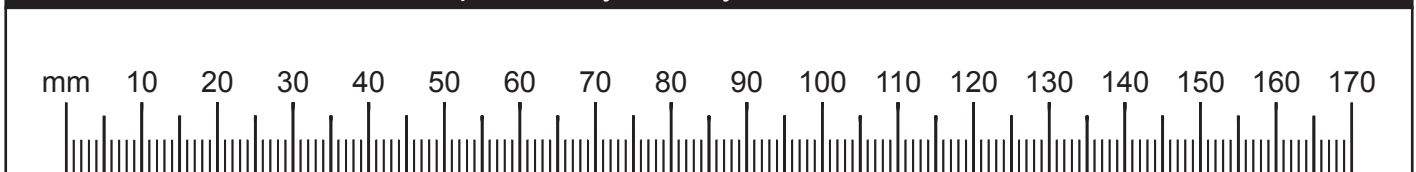
Note: The quantities below are the correct amount to complete the assembly. In some cases more fittings may be supplied than are required.

| | | |
|---|--|---|
| <p>A </p> <p>Wooden dowel (F40) x 24</p> | <p>B </p> <p>Wooden dowel (F22) x 28</p> | <p>C </p> <p>Metal dowel (F901) x 6</p> |
| <p>D </p> <p>Large locking cam nut (F900) x 6</p> | <p>E </p> <p>50mm Screw (F49) x 8</p> | <p>F </p> <p>Allen Key (F36) x 1</p> |
| <p>G </p> <p>Nail (F51) x 32</p> | <p>H </p> <p>15mm Screw (F284) x 12</p> | |
| <p>I    </p> <p>Strap Screw Washer x 2</p> <p>Overbalance protector kit (F269) x 2</p> | | |

Tools required



Ruler - Use this ruler to help correctly identify the screws



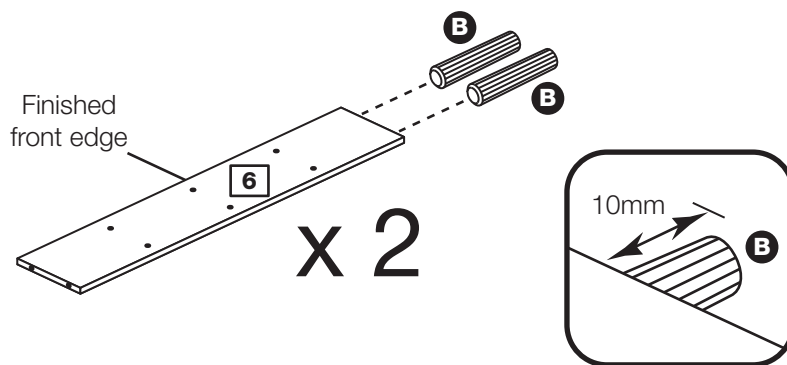
Assembly Instructions

Step 1

Prepare the 2 top uprights

Tap 2 short wooden dowels **B** into each of the top uprights **6** as shown.

Note: The short wooden dowels **must not** stick out from the edge by more than 10mm or they may damage other panels.

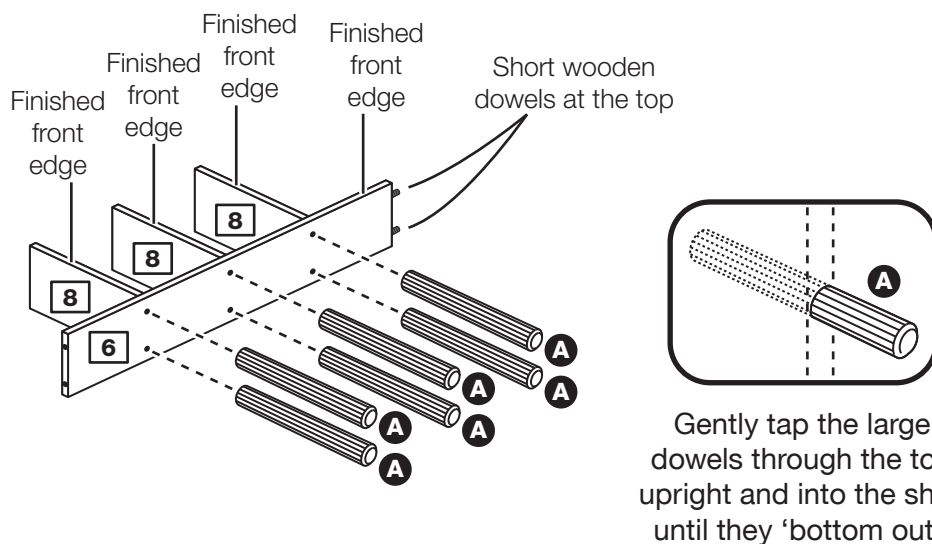


Step 2

Join 3 shelves to a top upright

Position 3 shelves **8** against a top upright **6** as shown.

Tap 6 long wooden dowels **A** through the top upright **6** and into each of the shelves **8**.



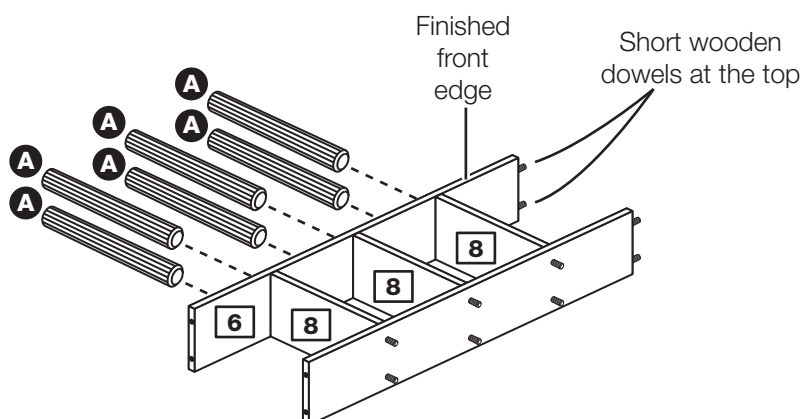
Gently tap the large dowels through the top upright and into the shelf until they 'bottom out'.

Step 3

Fit the other top upright

Fit the other top upright **6** to the assembly.

Tap 6 long wooden dowels **A** through the top upright **6** and into each of the shelves **8**.

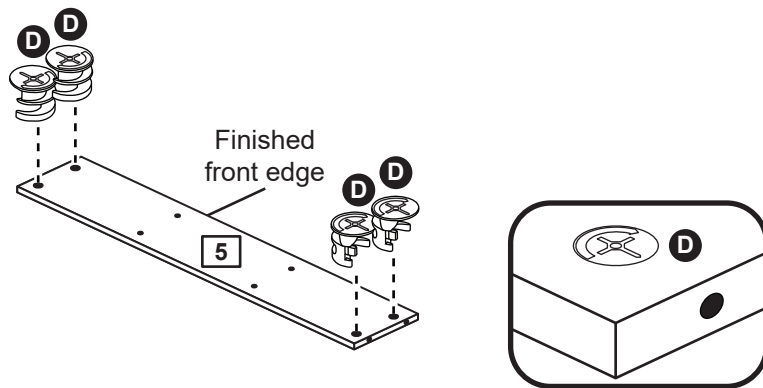


Assembly Instructions

Step 4

Prepare the middle shelf

Insert 4 large locking cam nuts **D** into the middle shelf **5** as shown.

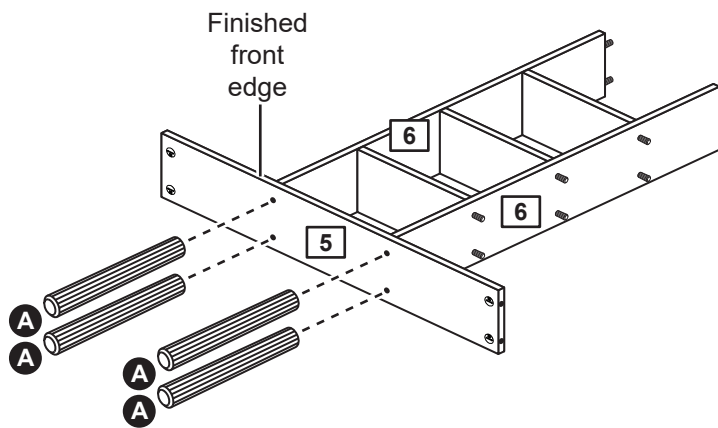


Step 5

Fit the middle shelf

Position the middle shelf **5** onto the assembly as shown.

Tap 4 long wooden dowels **A** through the middle shelf **5** and into the bottom of the 2 top uprights **6**.



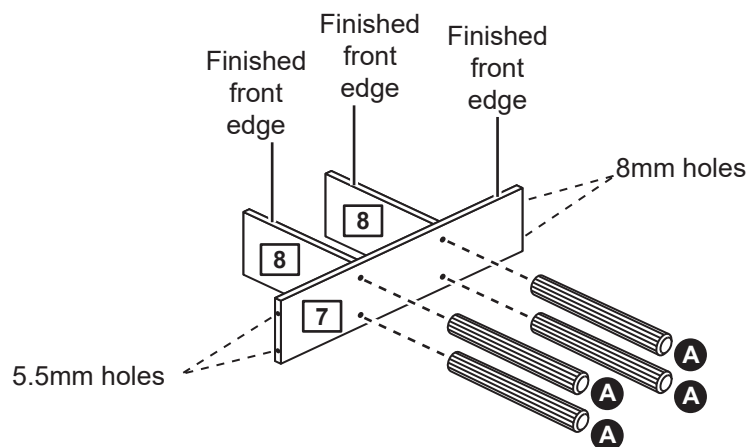
Step 6

Join 2 shelves to a bottom upright

Position 2 shelves **8** against a bottom upright **7**.

Tap 4 long wooden dowels **A** through the bottom upright **7** and into each of the shelves **8**.

Note: Make sure that the bottom uprights are the right way around. The 8mm holes are in the top edge and the 5.5mm holes are in the bottom edge.



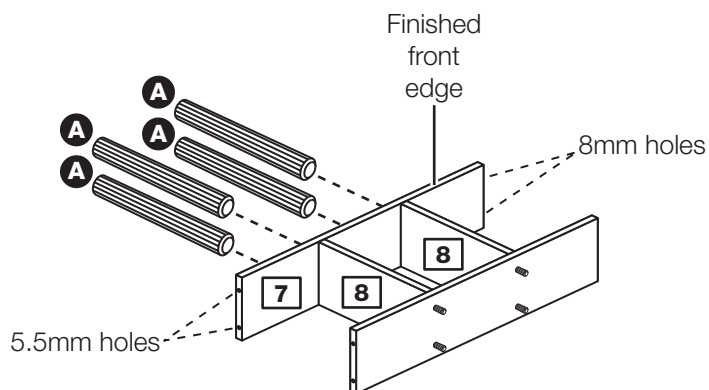
Assembly Instructions

Step 7

Fit the other bottom upright

Fit the other bottom upright **7** to the assembly.

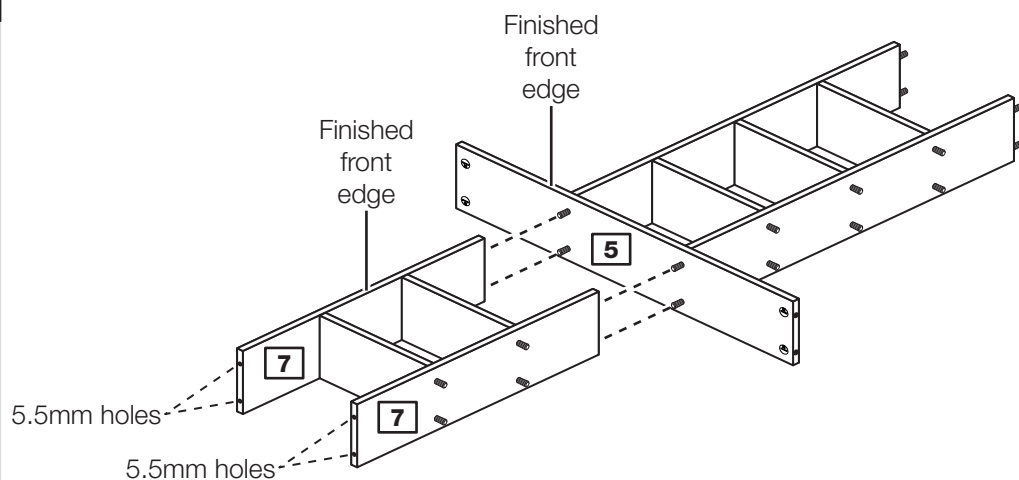
Tap 4 long wooden dowels **A** through the bottom upright **7** and into each of the shelves **8**.



Step 8

Fit the bottom upright assembly

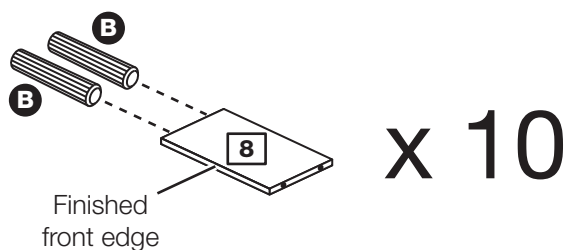
Push the 2 bottom uprights **7** onto the middle shelf **5**.



Step 9

Prepare the remaining shelves

Tap 2 short wooden dowels **B** into each of the remaining shelves **8** as shown.



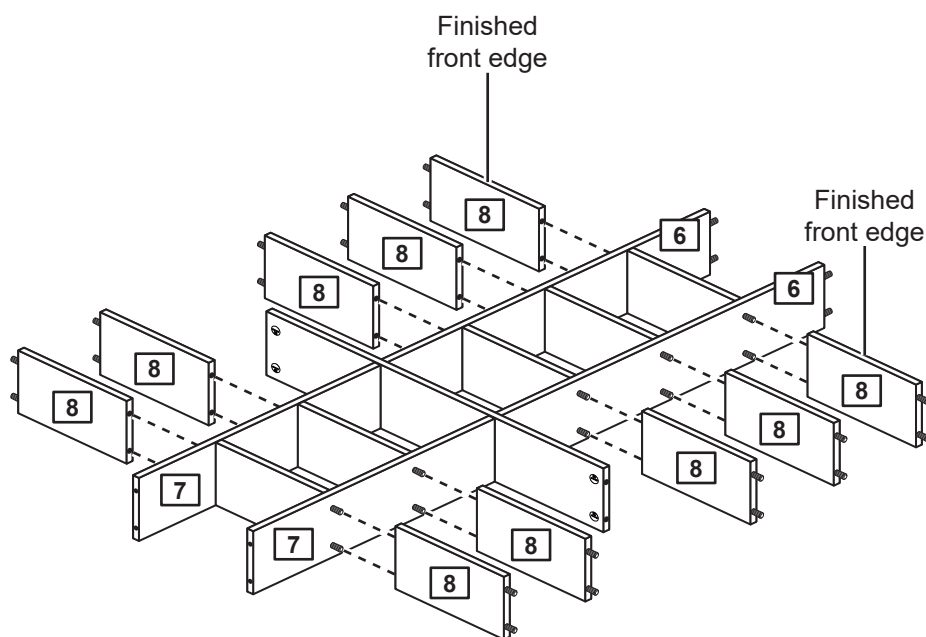
Assembly Instructions

Step 10

Fit the shelves

Push the shelves **8** onto the top uprights **6** and bottom uprights **7** as shown.

Note: Make sure that all of the shelves have the finished front edge pointing upwards.



Step 11

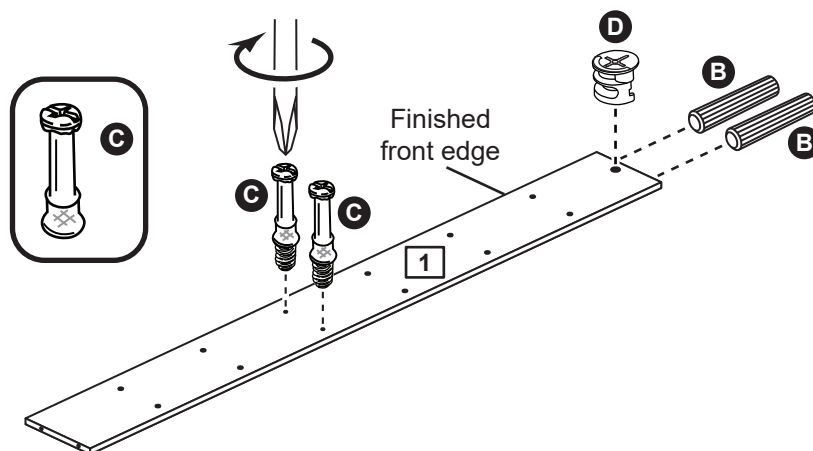
Prepare the left side

Screw 2 metal dowels **C** into the left side **1**.

Note: Tighten metal dowels up fully against the panels.

Tap 2 short wooden dowels **B** into the left side **1** as shown.

Insert a large locking cam nut **D** into the left side **1**.



Assembly Instructions

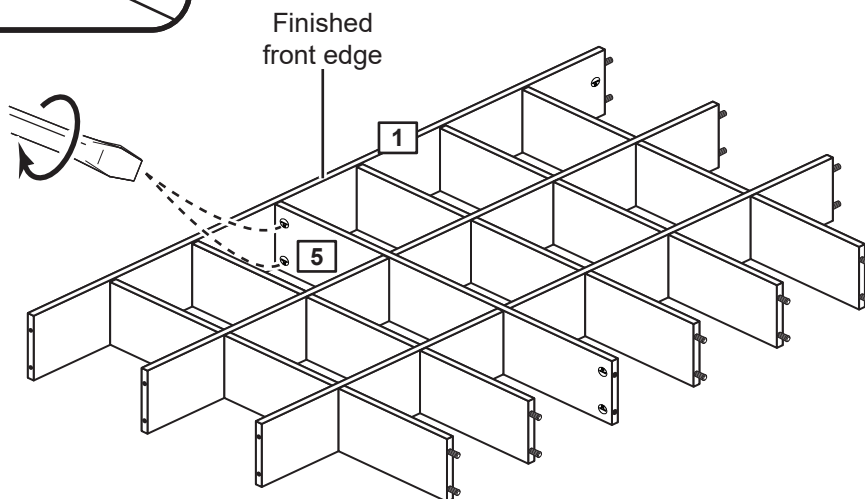
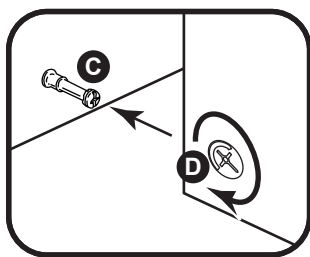
Step 12

Fit the left side

Push the left side **1** onto the assembly.

Use a screwdriver to tighten the 2 large locking cam nuts **D** fitted to the middle shelf **5**.

Note: Turn the large locking cam nuts **D** as far as they will go - more than 1/2 a turn.



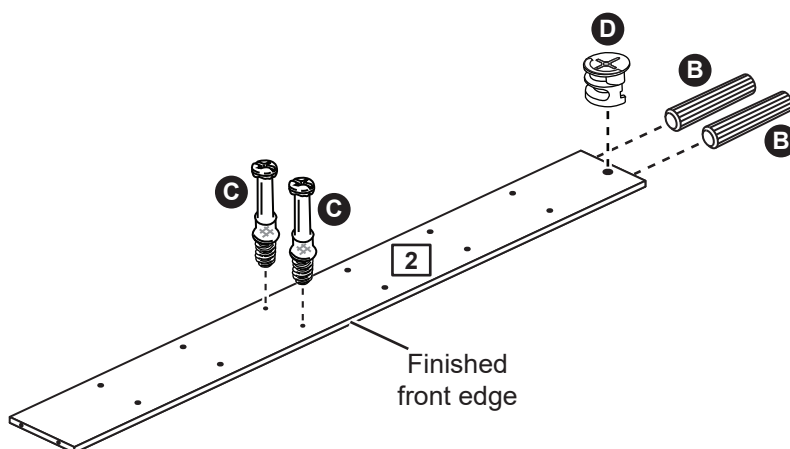
Step 13

Prepare the right side

Screw 2 metal dowels **C** into the right side **2**.

Tap 2 short wooden dowels **B** into the right side **2** as shown.

Insert a large locking cam nut **D** into the right side **2**.



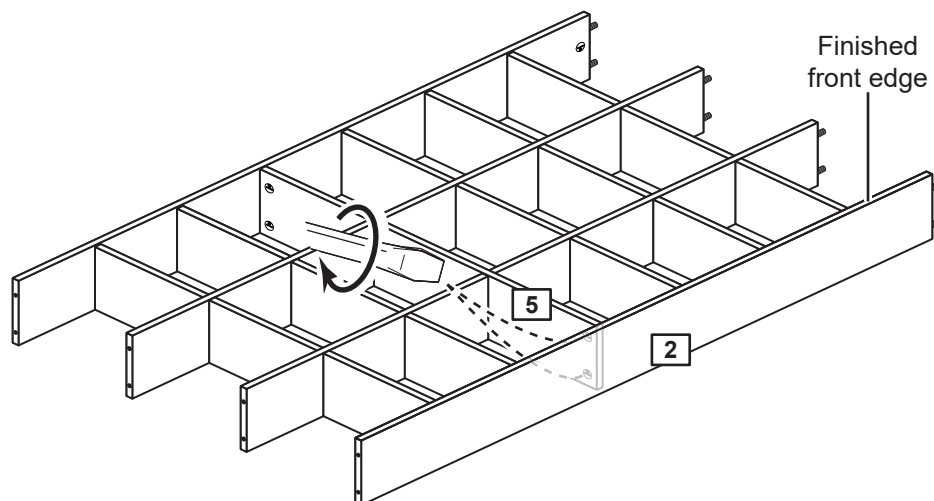
Assembly Instructions

Step 14

Fit the right side

Push the right side **2** onto the assembly.

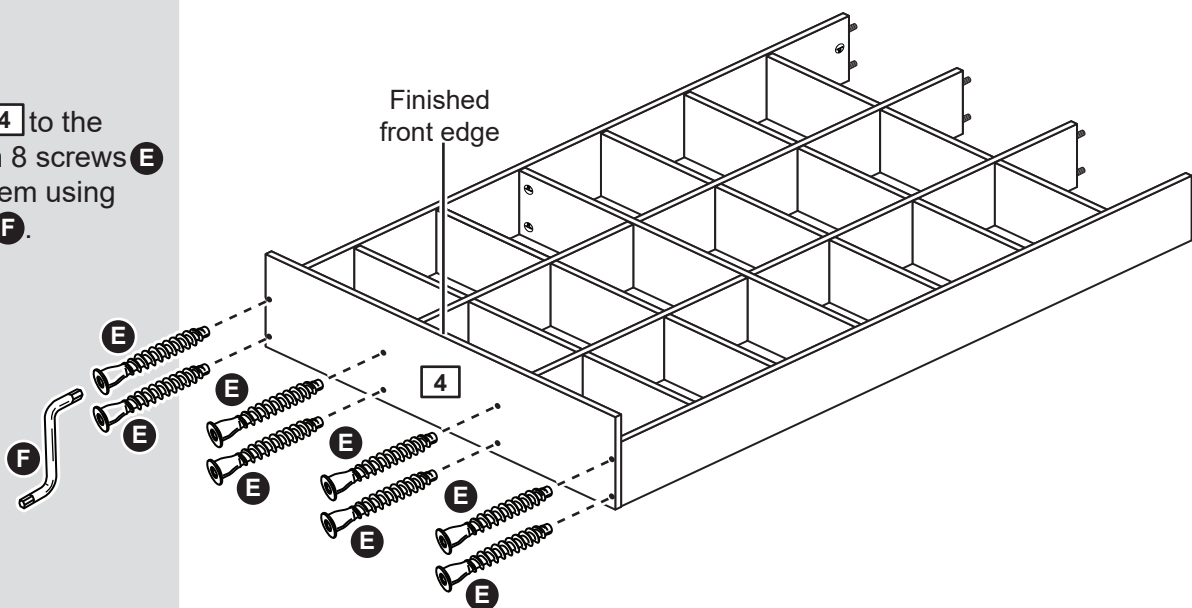
Use a screwdriver to tighten the 2 large locking cam nuts **D** fitted to the middle shelf **5**.



Step 15

Fit the base

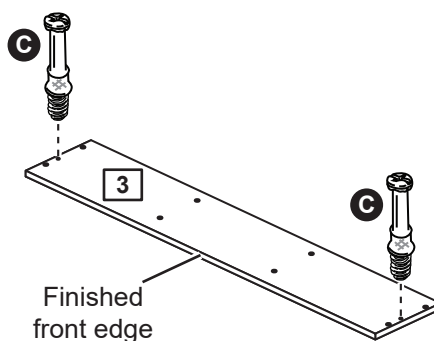
Fit the base **4** to the assembly with 8 screws **E** and tighten them using the allen key **F**.



Step 16

Prepare the top

Screw 2 metal dowels **C** into the top **3**.



Assembly Instructions

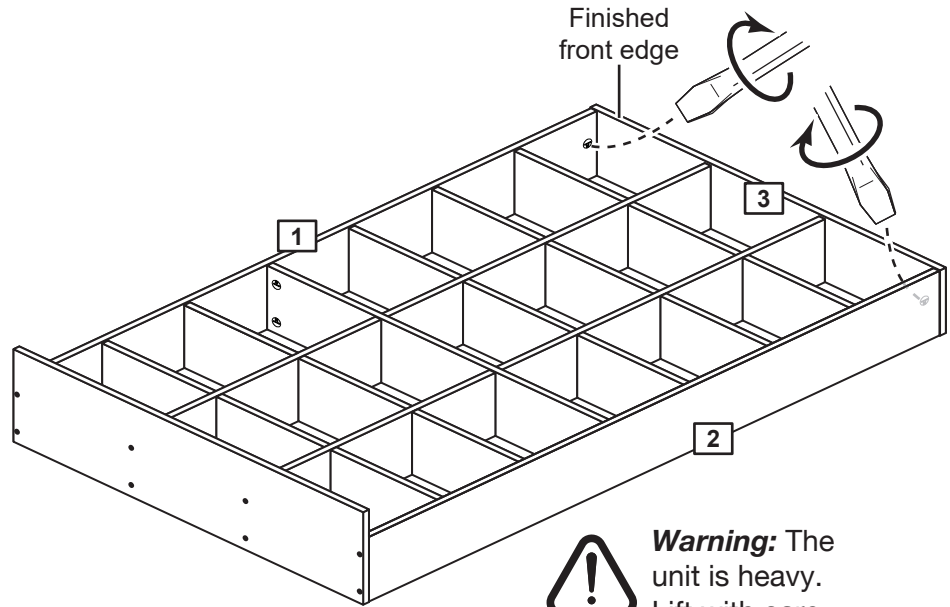
Step 17

Fit the top

Push the top **3** onto the assembly.

Use a screwdriver to tighten the 2 large locking cam nuts **D** fitted at the top of the left side **1** and right side **2**.

Carefully turn the assembly over for the next step.



Step 18

Fit the backs

a: Square up the unit by making sure that measurement x:x equals y:y.

b: Place the 3 backs **9** and **10** down onto the unit as shown.

Make sure that the 3 backs **9** and **10** are pushed up tight against each other and that they meet in the centre of the upright panels' back edge.

Only nail **G** around the outside edges of the 3 backs **9** and **10**.

C: Using 12 screws **H** screw down between the 3 backs **9** and **10** and into the upright panels' back edge.

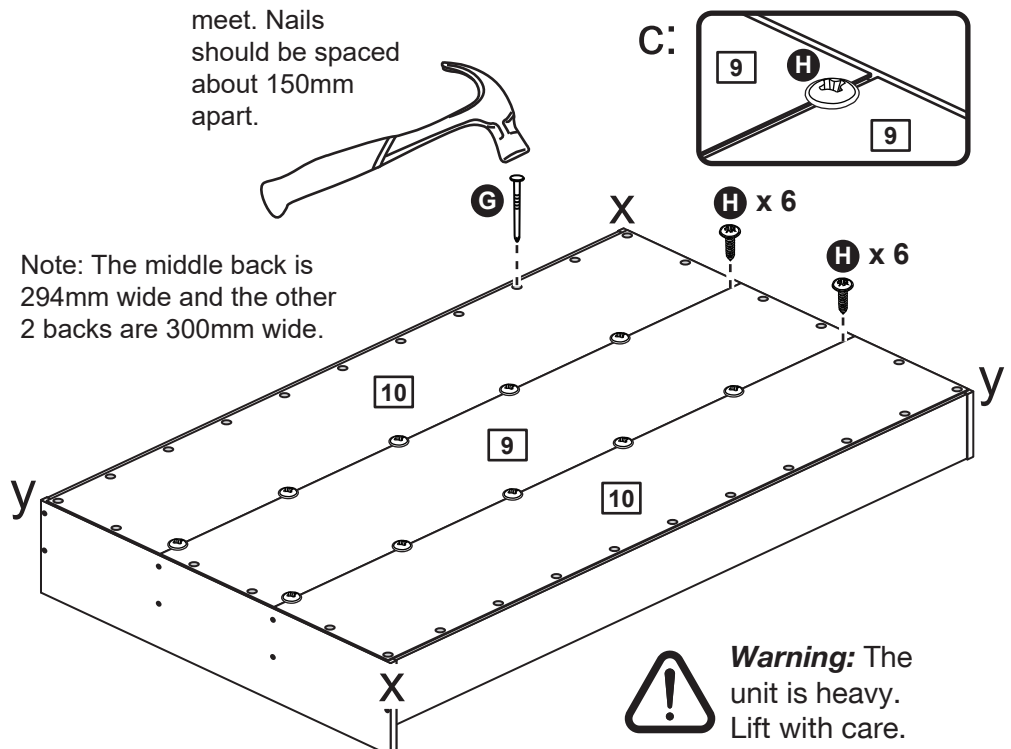
Carefully stand the unit up for the next step.

Squaring up a Robe and fitting the Back Panel

www.youtube.com/watch?v=udEKmXmPEW0

a: The measurement from top corner X to bottom corner X must be equal to the measurement from top corner Y to bottom corner Y

b: Note: Do not nail where the backs meet. Nails should be spaced about 150mm apart.



Assembly Instructions

Step 19

Fit the 2 overbalance protector kits

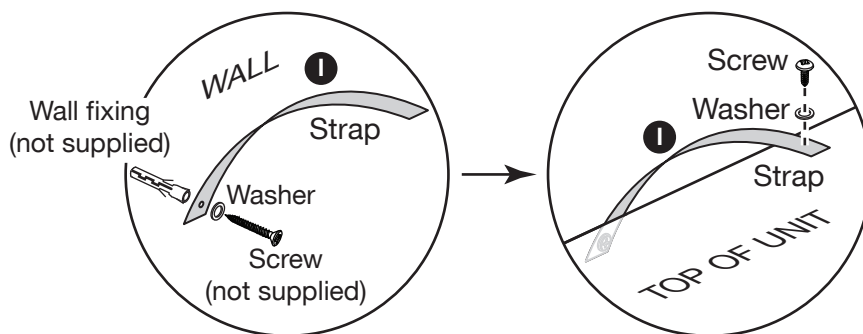
To prevent possible overbalancing this unit must be secured to a suitable wall by fitting of the 2 overbalance protector kits ① to the unit, or an alternative fixing method of your choice.

Wall fixings are not supplied as they will need to suit the wall type.

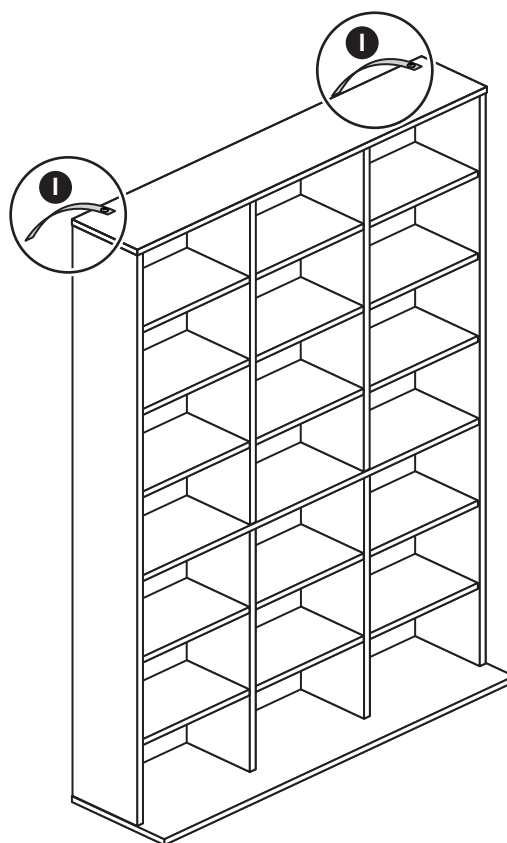
Note: Take care when drilling the wall that you do not drill into any pipes, wires etc. If in doubt, consult an expert.

WARNING!

In order to prevent overturning this product must be used with the 2 wall attachment devices provided



See the next page for a guide to wall mounting and fixings

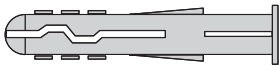


Assembly is complete

A Guide to Wall Mounting & Fixings

Important note:

If plastic wall plugs are supplied with your product:



- these are only suitable for use in masonry walls.

If you are in any doubt about the correct wall plugs for your wall, seek professional advice.


Failure of the product due to using incorrect fixings is the responsibility of the installer.



Important: When drilling into walls always check that there are no hidden wires or pipes etc.

Make sure that the screws and wall plugs being used are suitable for supporting your unit. Consult a qualified tradesperson if you are unsure.

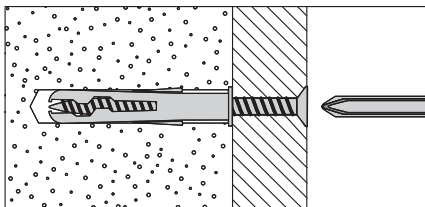
Hints:

- 1: General rule:  Always use a larger screw and wall plug if you are not sure.
- 2: Ensure you use the recommended drill bit to match the wall plug and hole size.
- 3: Ensure you drill the hole horizontally, do not force the drill or enlarge the hole.
- 4: Take extra care when drilling high walls, ceilings and ceramic tiles. Ensure wall plugs are inserted beyond the thickness of the ceramic tiles to avoid the tiles splitting or cracking.
- 5: Ensure wall plugs are well fitted and are a tight fit in the drilled hole.

Types of walls

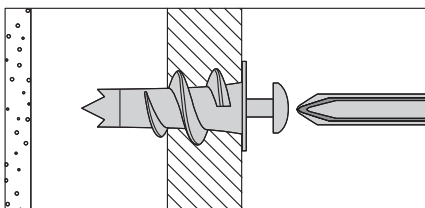
You can use one of the following types of wall plug if your walls are made of brick, breeze block, concrete, stone or wood.

No.1 "General Purpose" wall plug



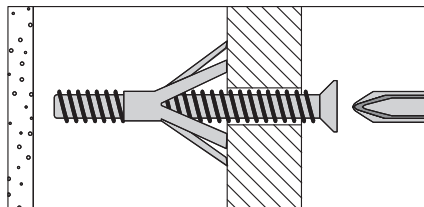
Generally aerated blocks should not be used to support heavy loads, use a specialist fitting in this case. For light loads, general purpose wall plugs can be used.

No.2 "Plasterboard" wall plug



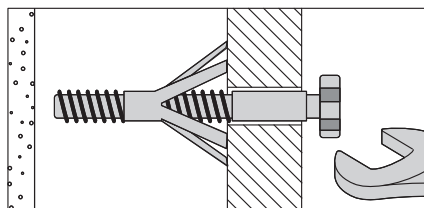
For use when attaching light loads on to plasterboard partitions.

No.3 "Cavity Fixing" wall plug



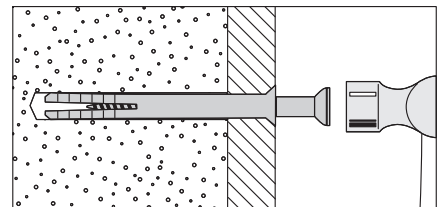
For use with plasterboard partitions or hollow wooden doors.

No.4 "Cavity Fixing-Heavy Duty" wall plug



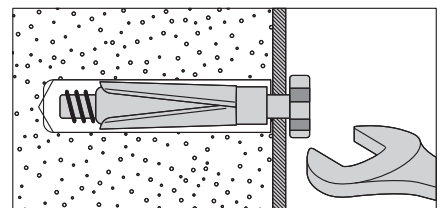
For use when fitting or supporting heavy loads such as shelving, wall cabinets and coat racks.

No.5 "Hammer Fixing" wall plug



For use with walls stuck with plasterboard. The hammer fixing allows it to be fixed to the wall rather than the plasterboard. Always check the fixing is secure to the retaining wall.

No.6 "Shield Anchor" wall plug Heavy loads



For use with heavier loads such as TV & HiFi speakers and satellite dishes etc.



Care & Maintenance

Safety: Always check the fitting and location to ensure your safety in and around the home.

Fitting: From time to time check the fitting to ensure the wall plugs or screws do not become loose.

