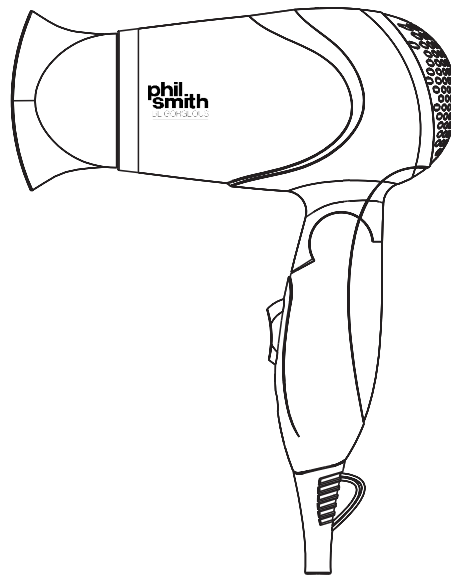


145.00 mm 黑白20190409 Sainsbury's 135537315 RH-1818

210.00 mm

**phil  
smith**  
BE GORGEOUS



## Travel Hair Dryer

Model: RH-1818 / SKU: 135537315 / CAT: 9312201  
120V/220-240V~ 60/50Hz 1200W

**FOR HOUSEHOLD AND INDOOR USE ONLY**

**Please read these instructions before use and retain for future  
reference**

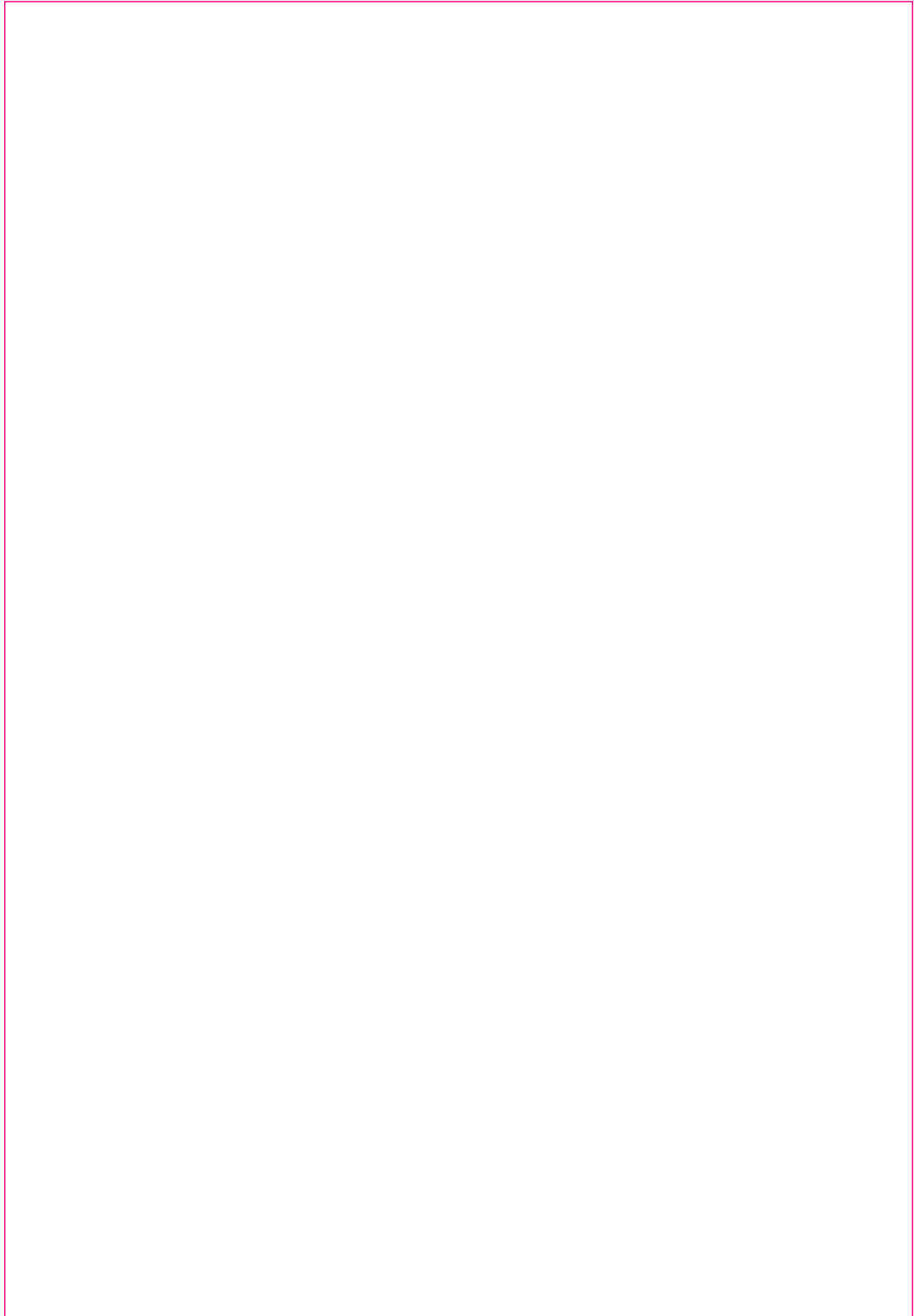


Issue 1 05/19



1





## **ELECTRICAL SAFETY**

- Switch off and unplug when not in use and before cleaning the appliance or changing the accessories.
- Do not leave unattended whilst connected to the mains supply.
- Children should be supervised to ensure they do not play with the appliance, and the appliance and cable should be kept completely out of reach of young children.
- This appliance can be used by children aged from 8 years and above and persons with reduced physical, sensory or mental capabilities or lack of experience and knowledge if they have been given supervision or instruction concerning use of the appliance in a safe way and understand the hazards involved. Children shall not play with the appliance. Cleaning and user maintenance shall not be made by children without supervision.
- Keep cable, plug and appliance dry and away from areas where it is likely to get splashed. Never immerse in water.
- If you use the appliance in a bathroom, unplug it after use. The proximity of water presents a risk even when switched off.
- For additional protection, the installation of a residual current device (RCD) having a rated residual operating current not exceeding 30mA is advisable in the electrical circuit supplying the bathroom. Ask your installer for advice.
- Do not pull on the cable to disconnect from mains supply.
- Keep appliance and cable away from heat, sharp objects or anything that may cause damage. Ensure all ventilation slots, grilles etc. are kept clear of debris or foreign objects.
- Do not operate the appliance if dropped, shows signs of damage or after it malfunctions. In the event the supply cord is damaged, it must only be replaced by a qualified service engineer, with a suitably approved part.
- This appliance must be positioned so that the plug is accessible and the plug socket is within easy reach of the power cord.

### **ADDITIONAL SAFETY PRECAUTIONS - WARNING!**

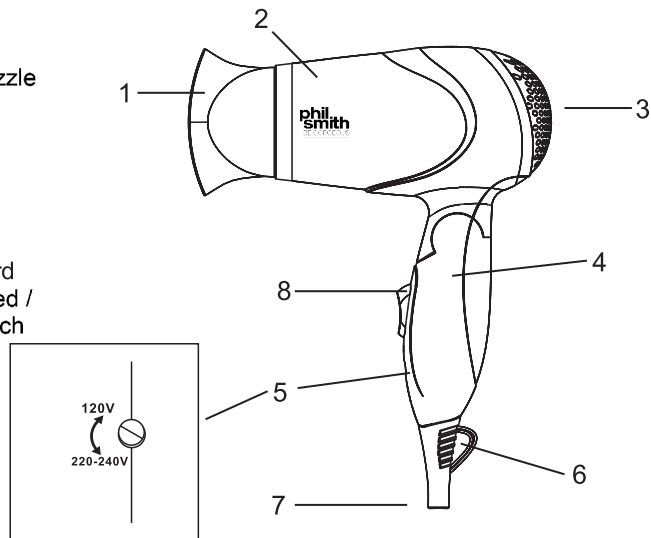
- This appliance is intended exclusively for use in domestic households. It is not suitable for commercial use.
- Do not use this appliance near bathtubs, showers, basins or other vessels containing water.
- Always ensure hands are dry before using the dryer, touching the plug or the socket. Do not use whilst bathing.
- The appliance becomes HOT in use. Take care to avoid contact with the hot surfaces and the skin, particularly around the neck.
- The appliance should NEVER be stored whilst hot or whilst still connected to the mains. Always switch off appliance, unplug from the mains and allow the hair dryer to cool down completely before storing.
- Keep your hair away from the immediate vicinity or the air inlet opening.
- Do not obstruct the air inlet or outlets. In the event that the air inlet is blocked, the appliance will cut off when the heating elements become too hot – if this happens, switch off, unplug and allow the hair dryer to cool. Ensure obstruction is removed before trying hair dryer again.
- Do not rest the hair dryer on non-heat resistant surfaces or near flammable materials whilst in use or cooling down.
- Do not use the hair dryer on artificial hair or wigs.
- Trip hazard beware of trailing cables when in use and while in storage.
- Cord entanglement hazard. The cable of the appliance can give rise to risks of entanglement, strangulation or tripping if not correctly placed. You must make sure that the electric cable is positioned safely.

### **STYLING TIPS**

- To minimise heat damage to the hair, try the lowest temperature setting first, moving onto the higher heat setting if drying is not satisfactory.
- Do not try to dry too much hair at any one time. The thinner the lock of hair that is dried, the quicker it will dry.

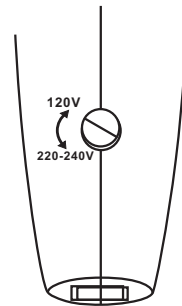
## PARTS

1. Concentrator nozzle
2. Body
3. Air inlet
4. Folding handle
5. Supply voltage selector
6. Hanging loop
7. Power supply cord
8. On / off and speed / temperature switch



## VOLTAGE SELECTION

Use the selector on the handle to select the correct voltage as shown below, the selector can be turned with a small coin or standard screwdriver:



## OPERATION

1. Fold out the handle and fully unwind the mains cable.
2. **Ensure that the voltage selector switch on the handle is set to the correct voltage for the mains supply in the area that you are in, typically 220-240V for the UK and Europe and 120V for the USA and that the correct mains plug adaptor (not included) is used. The hair dryer may be damaged if the wrong voltage is selected.**

3. If required fit the concentrator nozzle. You can dry smaller sections of hair by concentrating the flow of hot air with the concentrator.
4. Ensure that the on / off speed selector switch is set of “off” and then plug the hair dryer into the mains and switch on at the socket.
5. Adjust to the required speed / heat setting:  
Position 0 – off  
Position I – half power, medium temperature for gentle drying and styling  
Position II – full power, high temperature for quick drying

### CLEANING & MAINTENANCE

Keep the hair dryer clean and free of styling products.

1. Switch off, unplug and always allow the hair dryer to cool before storing or cleaning.
2. Do not wrap the mains cable around the appliance when storing as this may damage the cable in the long term. The hair dryer may be hung from the hanging loop when not in use.
3. Clean the air inlet grille from time to time with a fine brush.
4. Wipe the outside of the hair dryer body and cable with a damp cloth and then wipe dry. Do not use detergent or abrasives as these may scratch the surface. Never immerse the hair dryer, cable or plug in water.
5. Regularly check the mains cable for wear or damage, particularly where it enters the product and plug. Do not use if damaged.
6. Should it become necessary to replace the fuse in the plug, please replace with a **13A fuse** that conforms with BS 1362.

### RECYCLING ELECTRICAL PRODUCTS



You should now recycle your waste electrical goods and in doing so help the environment.

This symbol means an electrical product should not be disposed of with normal household waste. Please ensure it is taken to a suitable facility for disposal when finished with.

Visit [www.recycle-more.co.uk](http://www.recycle-more.co.uk), click on “bank locator” and enter your postcode to find your nearest recycling site.

We care about our quality and what you think,  
If you have any comments, good and bad,  
Please call our Careline 0800 636 262  
or visit [www.sainsburys.co.uk](http://www.sainsburys.co.uk)  
Your statutory rights are not affected.

Produced in China for and imported by  
Sainsbury's Supermarkets Ltd, London,  
EC1N 2HT

