

Etta Desk Chair (PU Cover)

Assembly Instructions - Please keep for future reference

ETTA-OCPU-SS20-A

Dimensions

Width - 48 cm

Depth - 54 cm

Height - 80-87 cm



060 - Rev 1

Important-Please read these instructions before assembly

If you help or have damaged or missing parts, call the
Customer Helpline: 0344 499 4686
or email: customerservices@habitat.co.uk

habitat 



Safety and Care Advice

Important - Please read these instructions fully before starting assembly

Check you have all the components and tools listed on the front cover and pages 3 - 4.

Remove all fittings from the plastic bags and separate them into their groups.

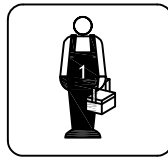
Keep children and animals away from the work area, small parts could choke if swallowed.

Make sure you have enough space to layout the parts before starting.

Do not stand or put weight on the product, this could cause damage.

Assemble the item as close to its final position (in the same room) as possible.

Do not place furniture directly in front of radiators, fires or any other source of heat.



Parts of the assembly will be easier with 1 people.

Assemble on a soft level surface to avoid damaging the unit or your floor.



We do not recommend the use of power drill/ drivers for inserting screws, as this could damage the unit. Only use hand screwdrivers.

Dispose of all packaging carefully and responsibly.

General care and maintenance

Take care when moving furniture - dragging it across the floor will loosen and damage the joints. Always lift and move.

From time to time check that there are no loose fittings. Tighten as necessary.

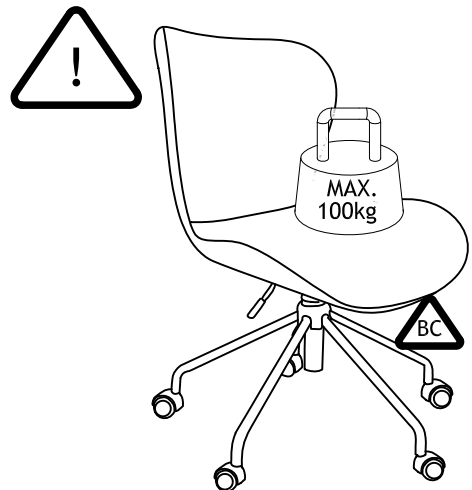
Avoid exposing your furniture to direct and prolonged periods of sunlight and heat sources as fading and cracking may occur.

Take care to prevent sharp objects e.g. toys, buckles and heels from coming into contact with your furniture, and avoid contact with chemicals e.g. cosmetics or hair products which may permanently mark the surface.

Cleaning and care

Dust regularly with a clean dry cloth. Wipe up any spills immediately with a damp cloth and then dry the surface with a clean dry duster. Repeat this procedure for periodic cleaning. Remove stubborn stains with a weak washing up liquid solution and a damp cloth and dry after with a clean cloth. The use of furniture polish or spray is not necessary or recommended. Never use abrasive or corrosive cleaning agents.

Maximum recommended loading



General information

If for any reason you should have problems with your Habitat product, please contact the store from which you purchased it.

Please retain your receipt as proof of purchase.

If you have any comments or suggestions regarding this product, assembly instructions or service

received, please contact the store or Habitat Head Office via its web site: www.habitat.co.uk or write directly to: Habitat Retail Ltd, 489-499 Avebury Boulevard, Milton Keynes MK9 2NW

Components - Panels

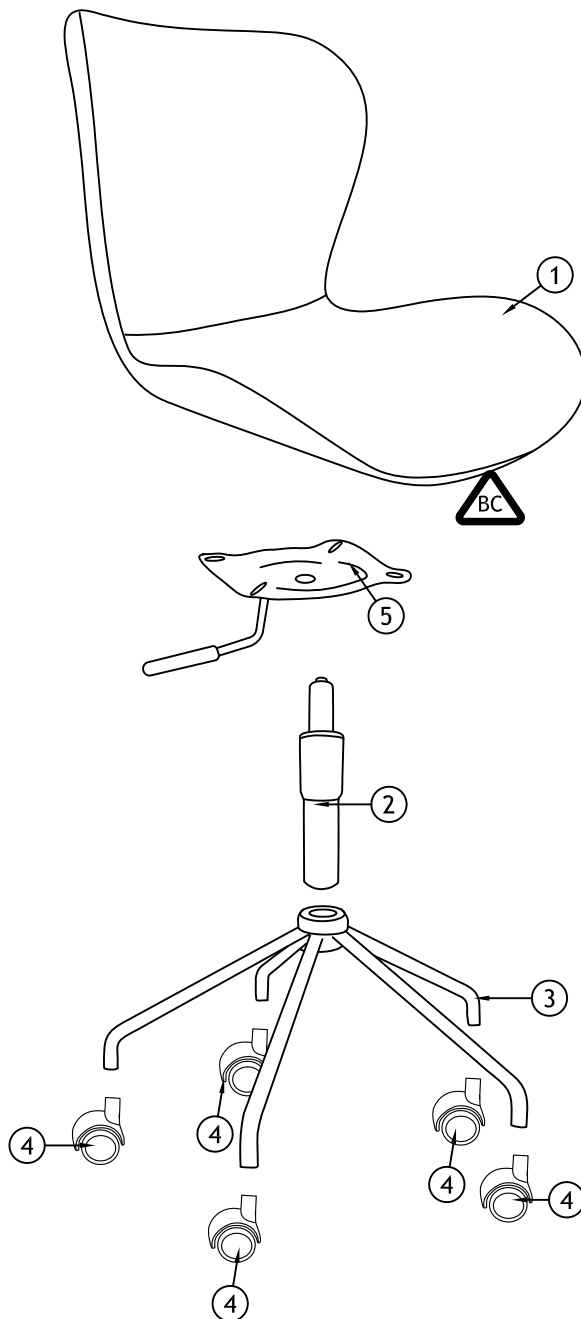
If you have damaged or missing components, call the Customer Helpline: 0344 499 4686 or email: customerservices@habitat.co.uk

Please check you have all the panels listed below



Note: There are 'Batch Code' labels where shown on the indicated items, these should be retained.

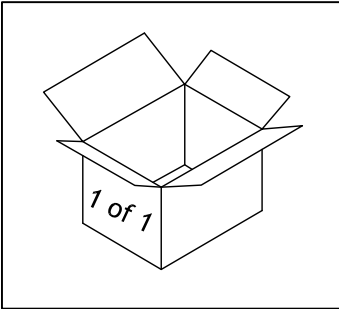
PART	QTY	SIZE	COLLI	✓
1	1	480x400x545	1/1	
2	1	Ø50x230	1/1	
3	1	570x570x245	1/1	
4	5	50x65x80	1/1	
5	1	170x170x50	1/1	



Components - Fittings

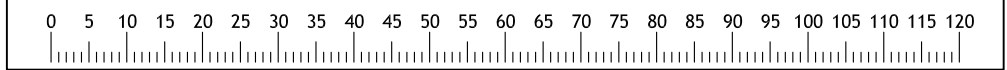
If you have damaged or missing components, call the Customer Helpline: 0344 499 4686 or email: customerservices@habitat.co.uk

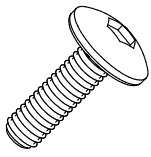
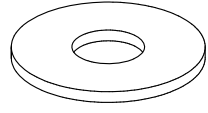

Please check you have all the fixings listed below



Note: The quantities below are the correct amount to complete the assembly. In some case more fittings may be supplied than are required.

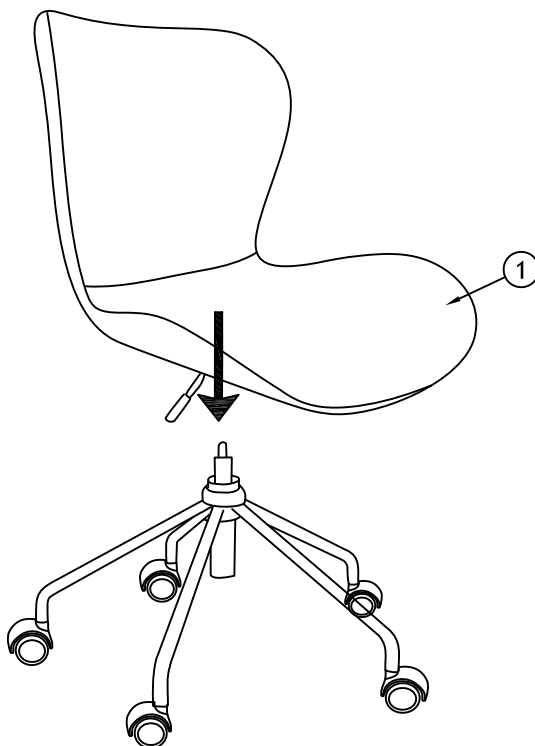
Ruler - To help correctly identify the fixings



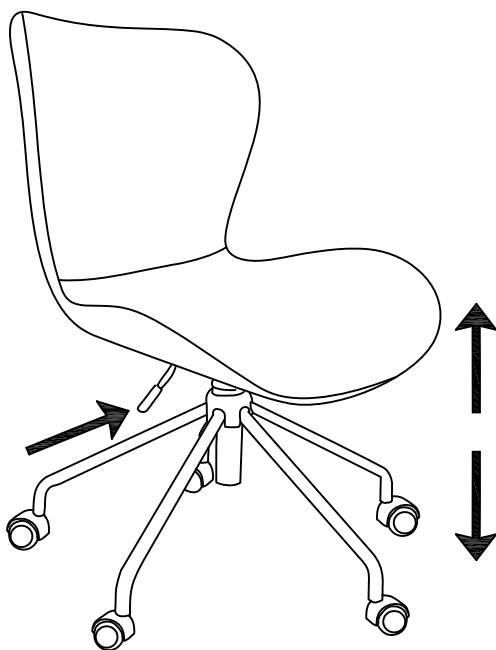
<p>A x 4</p>  <p>M6x18 mm</p>	<p>B x 4</p>  <p>Ø6/Ø16 mm</p>	<p>C x 1</p>  <p>5 mm</p>
--	---	---

Assembly Instruction

Step 3



Step 4



UK: Use the lever on right hand side under the seat to adjust the high of the seat by pressing the lever up or down wards.

Assembly Instruction

Step 5



UK: Do not try to replace or repair

UK: Use this product only for seating one person at a time.
This chair is intended to be used on hard floors. We
always recommend that the chair is placed on a
protective floor plate
The Seat can be cleaned using a soft damp cloth

UK: This office chair is not intended for use in offices and
institutions. This office chair is for private use only

UK: Office chair type A

