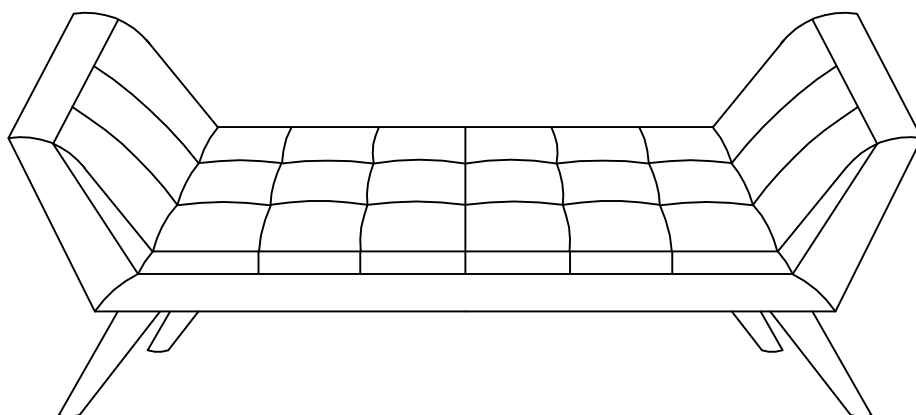


# MILAN UPHOLSTERED BENCH

Thank you for purchasing the milan upholstered bench. Please read the instructions carefully to ensure safe operation product.



Size : 1270MM X 470MM X 540MM  
Colour : Black Pu/Silver Chenille/Hopsack Grey

---

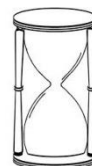
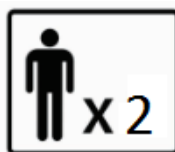
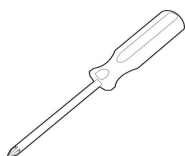
**PLEASE READ** this sheet prior to assembly to familiarise yourself with the various stages of construction.

Carefully open the pack supplied and check the contents against the parts and fittings check list. Do not destroy any of the packaging until you are certain that you have all the necessary parts for the assembly.

**CAUTION:** There are small components used in the construction of this unit. These loose items should be kept away from young children whilst assembling your unit to avoid the danger of choking hazards.

---

## Tools Required



0.5 Hour  
Set Up

**NOT PROVIDED TOOLS**

# MILAN UPHOLSTERED BENCH

**IMPORTANT - READ CAREFULLY - RETAIN THESE INSTRUCTIONS FOR FUTURE REFERENCE.**

## **INFORMATION**

- This product is intended for a maximum person's weight of 110kg. Do not exceed this weight
- Incorrect installation could lead to injury, take care following instructions.
- Due to the size of this product we recommend that it is assembled in the room intended for use
- When you are ready to start, make sure that you have the right tools, plenty of space and a clean, dry area for assembly
- Unwrap all packaging materials and place the components on top of the carton box or on a clean floor to prevent it from scratching
- Check the pack and make sure you have all the parts listed
- Ensure that this product is fully assembled and secured as illustrated before use
- Check all screws or bolts are tightened and inspect regularly.
- This product should only be used on firm, level ground.
- Dismantle for transportation.
- Only use recommended accessories.
- Tools are included.

## **WARNINGS**

- DO make sure the legs remain in contact with the ground.
- DO keep small parts out of reach of children.
- DO NOT use power tools to construct this product.
- DO NOT tighten screws until fully assembled.
- DO NOT over tighten screws or bolts.
- DO NOT use this product if parts are missing, damaged or worn. DO NOT stand on the product.

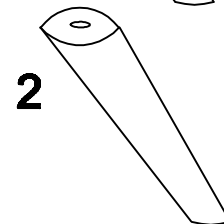
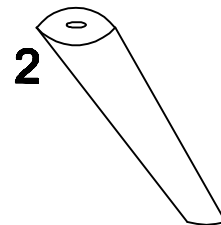
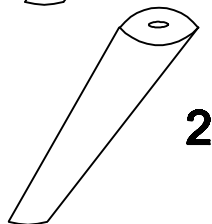
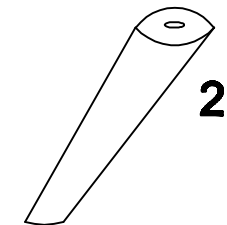
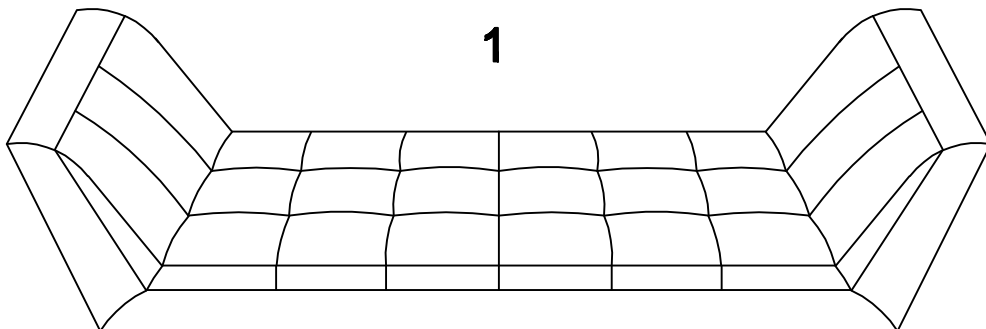
## **CARE INFORMATION**

- Never use scourers, abrasives or chemical cleaners
- To clean wipe with a sponge and warm soapy water. Do not use solvent based cleaners or detergents as they can bleach or damage the product

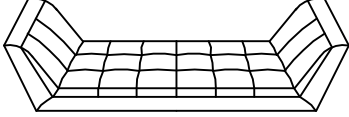
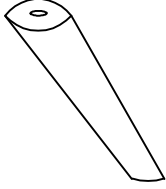
# MILAN UPHOLSTERED BENCH

## parts

Please check the pack contents before assembling this product. If any components are missing, please contact your retailer. The fittings pack contains small items that should be kept away from small children.

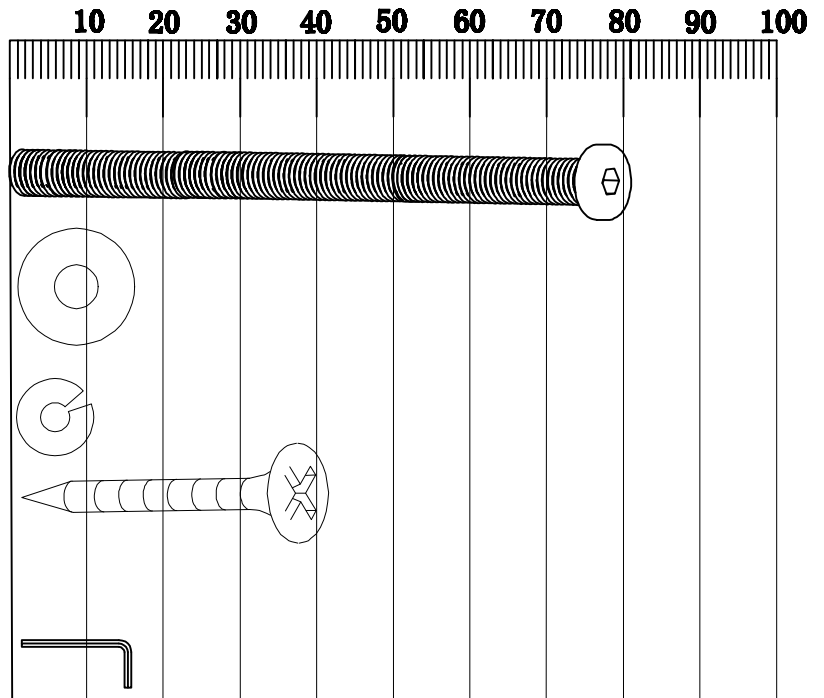


# MILAN UPHOLSTERED BENCH

<b>1</b>		<b>2</b>	
Description: MILAN UPHOLSTERED BENCH Qty: 1pc		Description: FEET Qty: 4pcs	

## Fixings(to scale)

Ref	Dimensions	Qty
<b>A</b>	<b>Bolt-5/16*75mm</b>	<b>4</b>
<b>B</b>	<b>Washer*5/16</b>	<b>4</b>
<b>C</b>	<b>Spring Washer*5/16</b>	<b>4</b>
<b>D</b>	<b>Wood Screw</b>	<b>4</b>
<b>(Not to scale)</b>		
<b>E</b>	<b>5MM Allen Key</b>	<b>1</b>

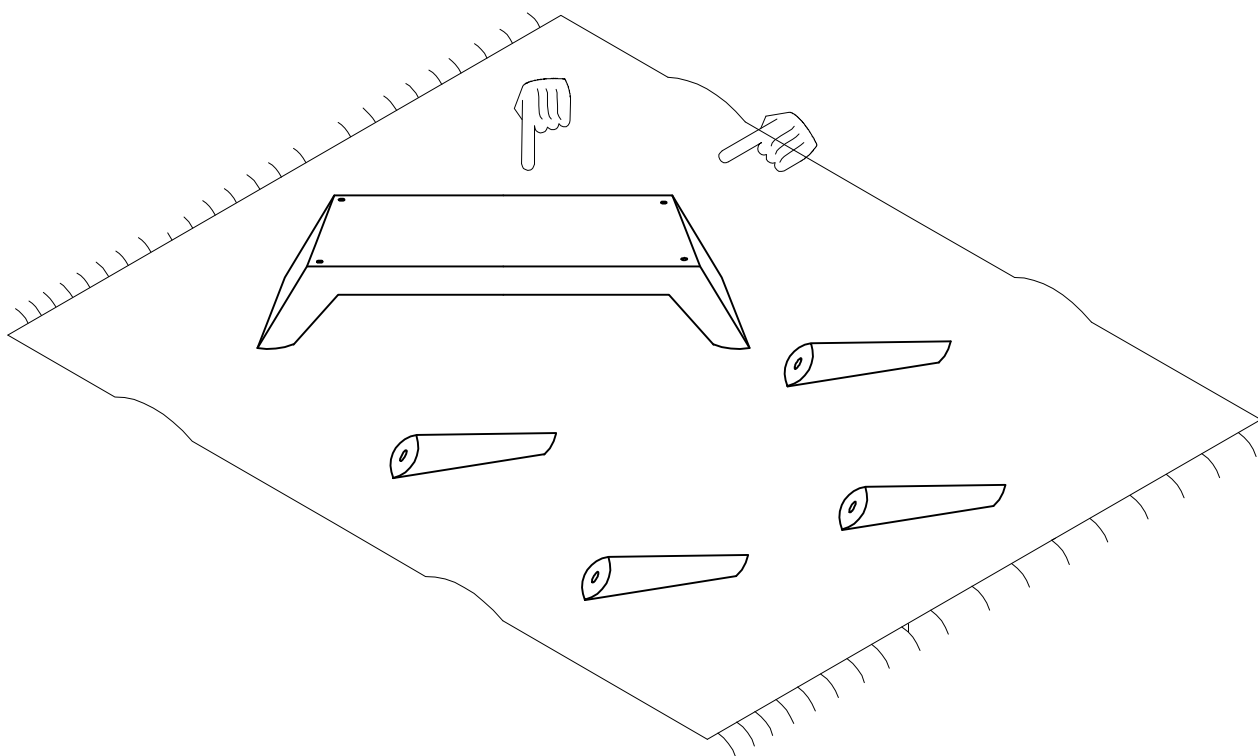


**CAUTION:** There are many small components used in the construction of this product. Please keep these components away from young children whilst assembling this product. if you keep the fittings in a bowl during assembly you will be less likely to lose them!

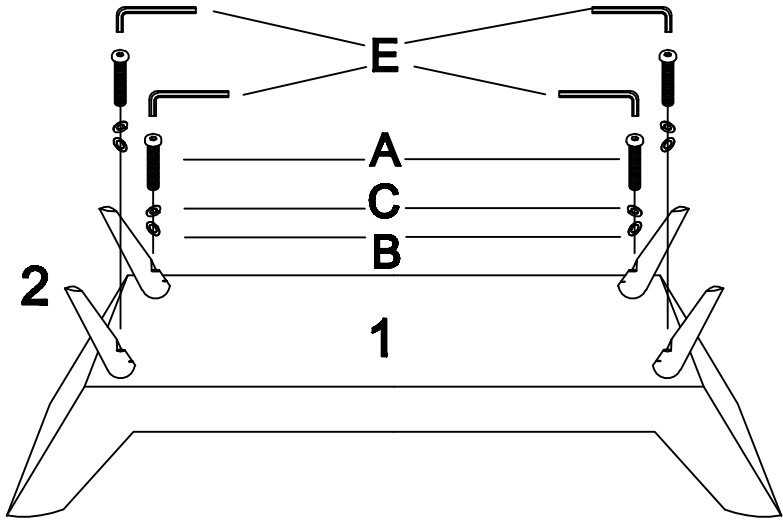
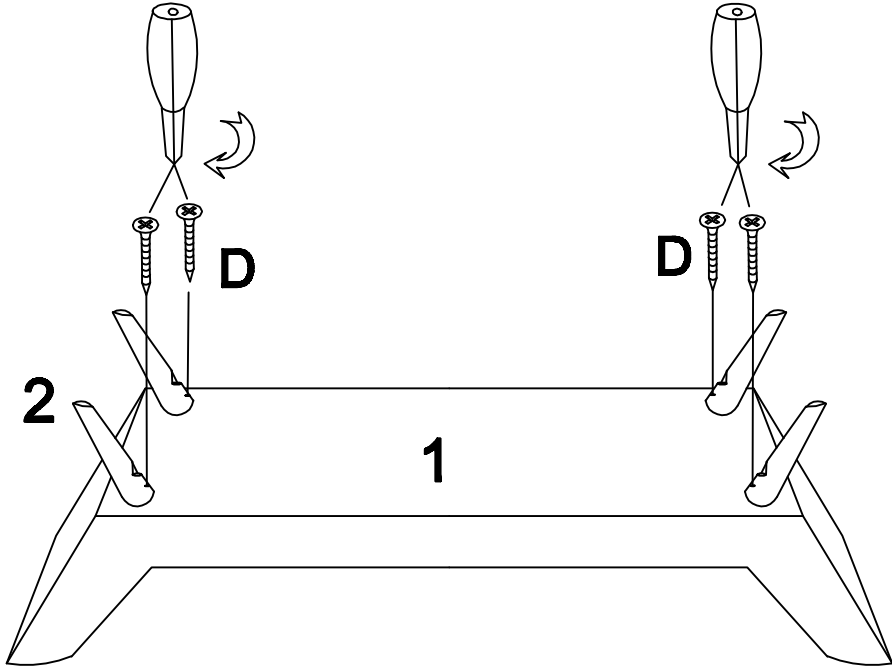
# MILAN UPHOLSTERED BENCH

## Layout Parts on Soft Surface

Lay out all 2 sides on a soft surface i.e.Rug,Carpet or Packaing Carton



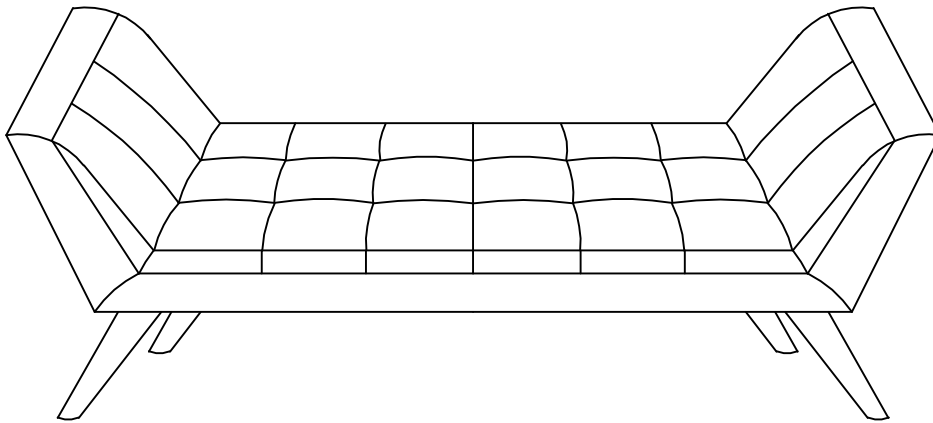
# MILAN UPHOLSTERED BENCH

STEP 1	Parts Required
 <p>Diagram illustrating Step 1: Assembling the backrest of the Milan Upholstered Bench. The main frame (1) is shown with four horizontal slats (A, B, C) being inserted into the backrest frame (E). The backrest frame (E) is attached to the main frame (1) using two screws (2) on each side.</p>	<p><b>1.MILAN UPHOLSTERED BENCH X 1</b>  <b>2.FEET X 4</b>  <b>A X 4</b>  <b>B X 4</b>  <b>C X 4</b></p>
STEP 2	Parts Required
 <p>Diagram illustrating Step 2: Attaching the backrest to the main frame. The backrest frame (E) is shown being pushed onto the main frame (1) and secured with four screws (D) on each side. A screwdriver is shown driving the screws into the backrest frame (E).</p>	<p><b>D X 4</b></p>

# MILAN UPHOLSTERED BENCH

## Complete Assembly

Periodically check to ensure that the components are in their proper position, free from damage. Also, make sure the connectors are tight and secure



**Keep instructions for future reference**

