

Feliz Extending Dining Table

Assembly Instructions - Please keep for future reference

FELI-ED-AW18-A

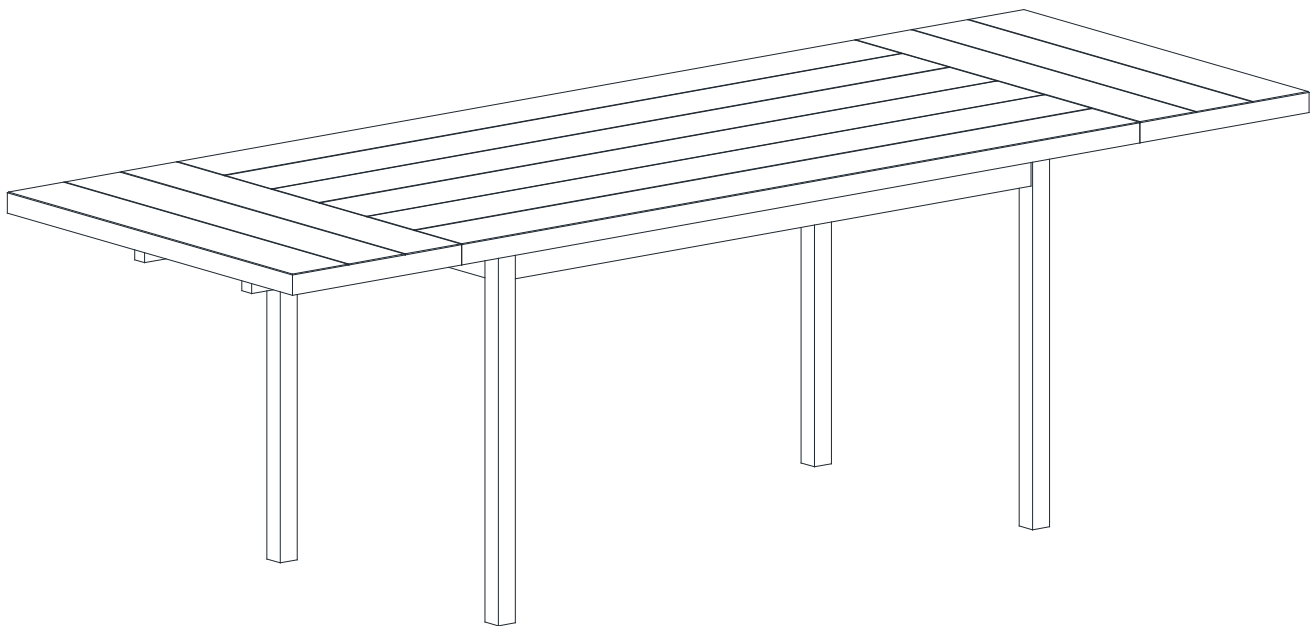
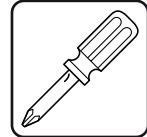
Dimensions

Width - 160/240cm

Depth - 85cm

Height - 76cm

Tools required



Important – Please read these instructions before assembly

If you need help or have damaged or missing parts, email:
customerservices@habitat.co.uk or call: 0344 499 4686

habitat 



Safety and Care Advice

Important – Please read these instructions fully before starting assembly

Check you have all the components and tools listed on the front cover and pages 3 - 4.

Remove all fittings from the plastic bags and separate them into their groups.

Keep children and animals away from the work area, small parts could choke if swallowed.

Make sure you have enough space to layout the parts before starting.

Do not stand or put weight on the product, this could cause damage.

Assemble the item as close to its final position (in the same room) as possible.

Do not place furniture directly in front of radiators, fires or any other source of heat.



Parts of the assembly will be easier with 2 people.

Assemble on a soft level surface to avoid damaging the unit or your floor.



We do not recommend the use of power drill/drivers for inserting screws, as this could damage the unit. Only use hand screwdrivers.

Dispose of all packaging carefully and responsibly.

General care and maintenance

Take care when moving furniture - dragging it across the floor will loosen and damage the joints. Always lift and move.

From time to time check that there are no loose fittings. Tighten as necessary.

Avoid exposing your furniture to direct and prolonged periods of sunlight and heat sources as fading and cracking may occur.

Take care to prevent sharp objects e.g. toys, buckles and heels from coming into contact with your furniture, and avoid contact with chemicals e.g. cosmetics or hair products which may permanently mark the surface.

Cleaning and care of wood, wood veneer and metal

Dust regularly with a clean dry cloth.

Please see re-oiling instructions below.

Wipe up any spills immediately with a damp cloth and then dry the surface with a clean dry duster.

Repeat this procedure for periodic cleaning.

Remove stains with a weak washing up liquid solution and a damp cloth and dry after with a clean cloth.

Stubborn stains can be removed from the oak table top by lightly sanding with a fine grade sand paper and then re-oiling.

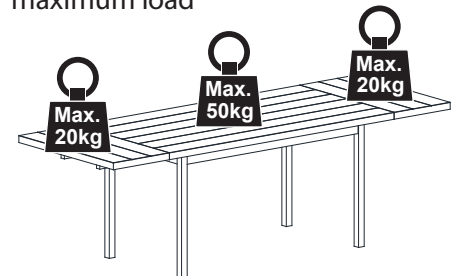
The use of furniture polish or spray is not necessary or recommended.

Never use abrasive or corrosive cleaning agents.

Always use place mats and coasters to protect the surface from moisture and heat.

Maximum weight limit

Important: Recommended maximum load



Re-oiling instructions for oak table top

This oak table top should be re-oiled with linseed furniture oil several times a year to help retain its good looks. Before re-oiling, remove small stains or marks by lightly sanding the surface of the wood with a fine grade sand paper. **IMPORTANT!** Read and follow oil supplier's directions carefully!

Apply a generous coat of linseed furniture oil to the complete table top.

Allow the oil to fully absorb into the wood - follow the oil suppliers directions.

Wipe with a clean dry cloth before use.

General information

If for any reason you should have problems with your Habitat product, please contact the store from which you purchased it.

Please retain your receipt as proof of purchase.

If you have any comments or suggestions regarding this product, assembly instructions or service

received, please contact the store or Habitat Head Office via its website: www.habitat.co.uk or write directly to: Habitat Retail Ltd. 489-499 Avebury Boulevard, Milton Keynes MK9 2NW

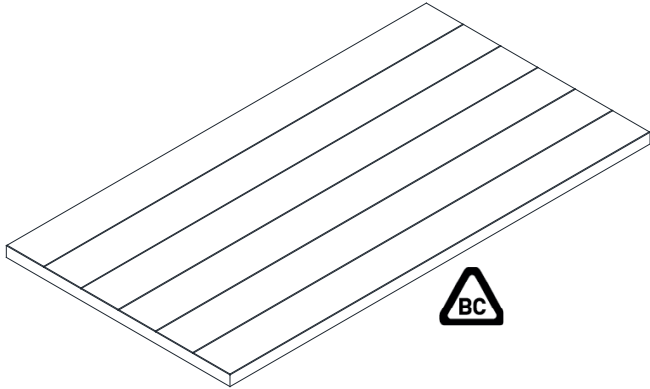
Components - Panels

If you need help or have damaged or missing parts, email: customerservices@habitat.co.uk or call: 0344 499 4686

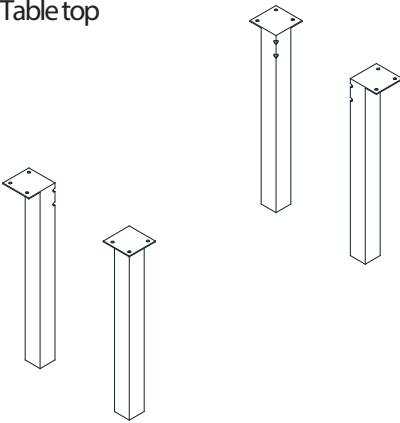
Please check you have all the panels listed below



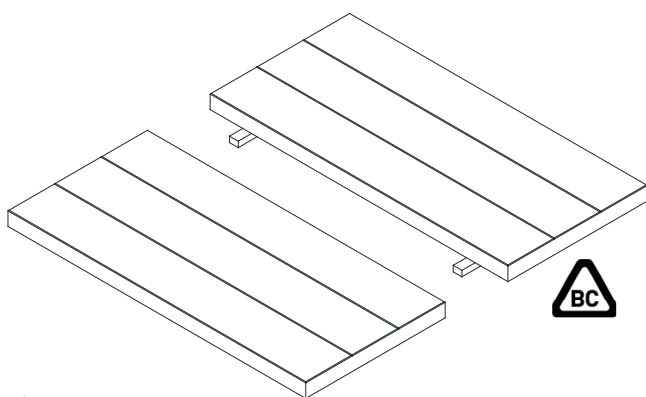
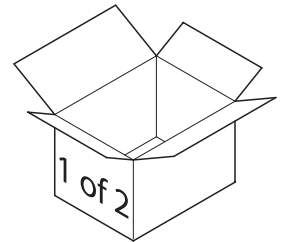
Note: There are 'Batch Code' labels where shown on the indicated items, these should be retained.



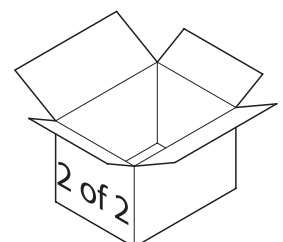
1. Tabletop



2. Legs



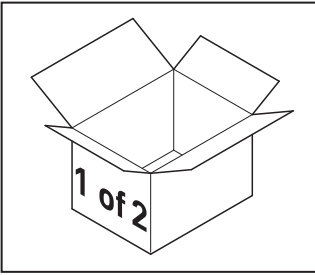
3. Extension leaves



Components - Fittings

If you need help or have damaged or missing parts, email: customerservices@habitat.co.uk or call: 0344 499 4686

Please check you have all the fixings listed below

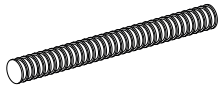


Note: The quantities below are the correct amount to complete the assembly. In some cases more fittings may be supplied than are required.

Ruler - To help correctly identify the fixings



A



Threaded bolt x 8

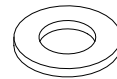
M6x75

B



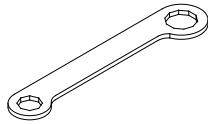
Metric nut x 8

C



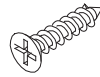
Washer x 8

D



Wrench x 1

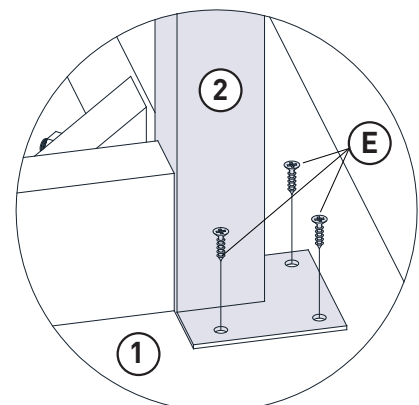
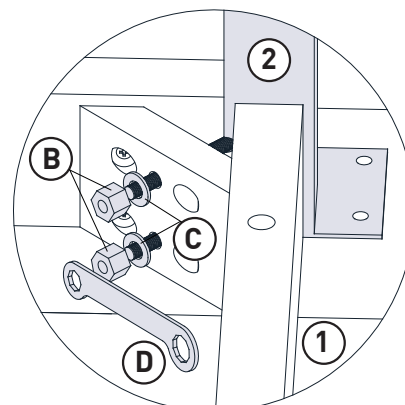
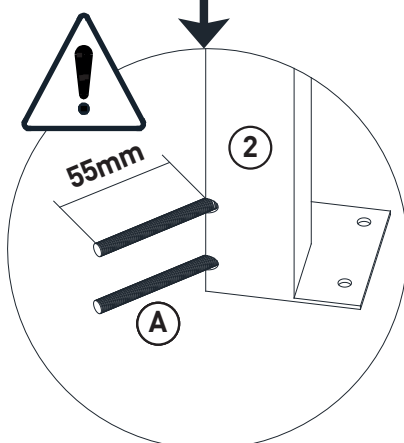
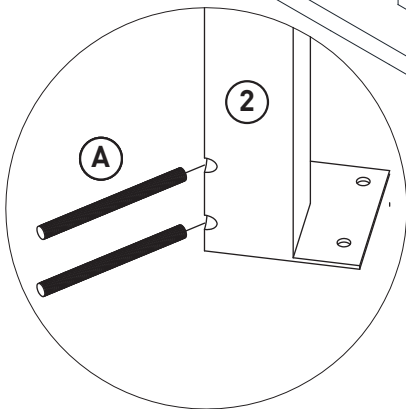
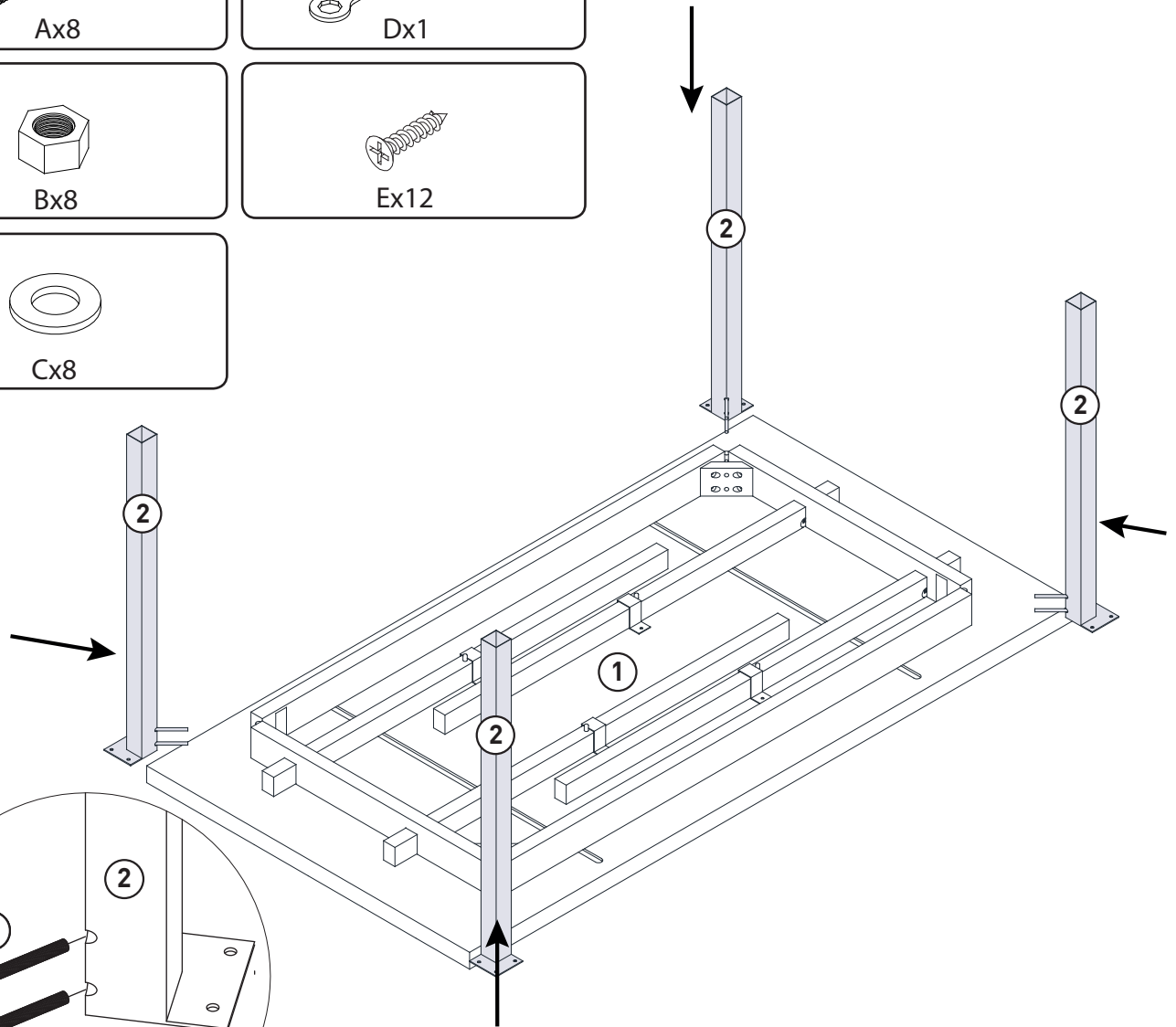
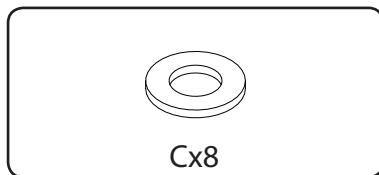
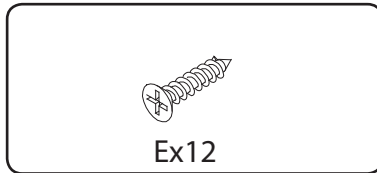
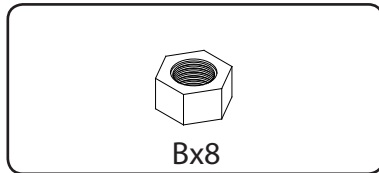
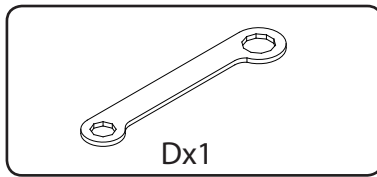
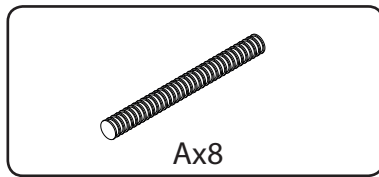
E



Screw x 12

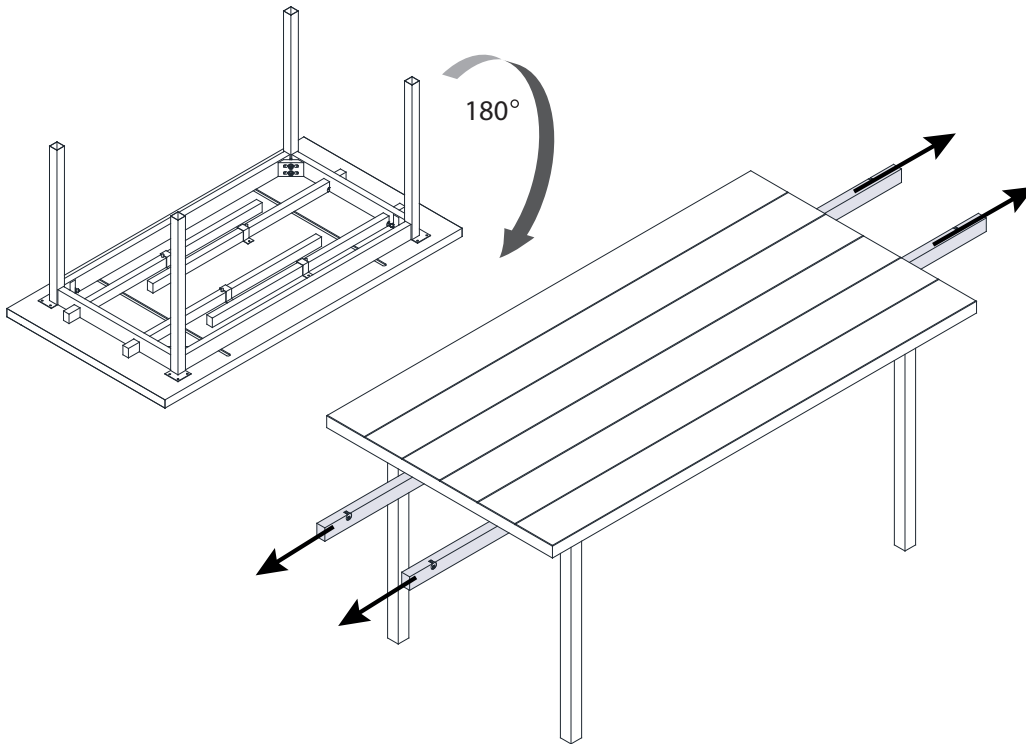
Assembly Instructions

Step 1

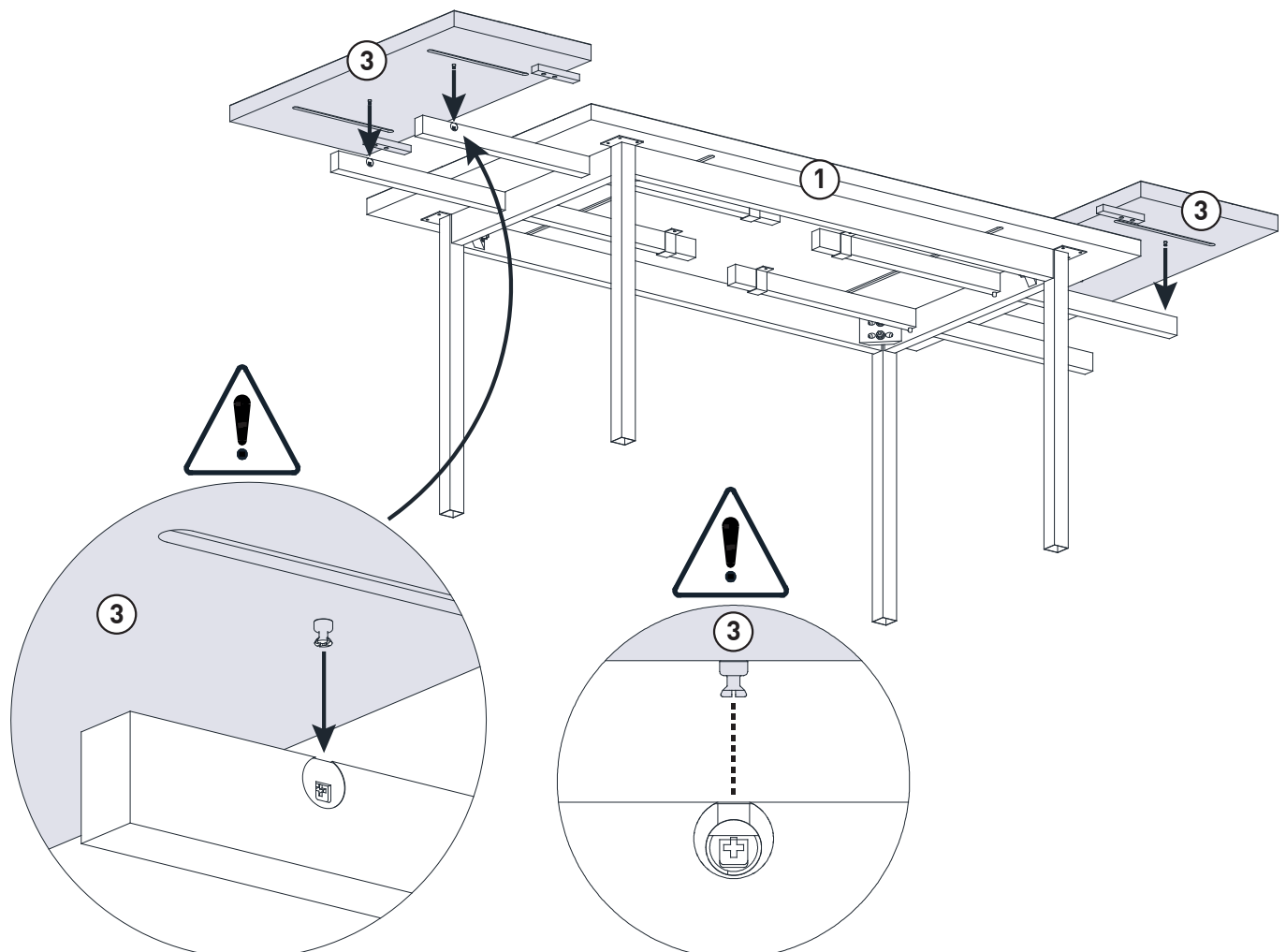


Assembly Instructions

Step 2

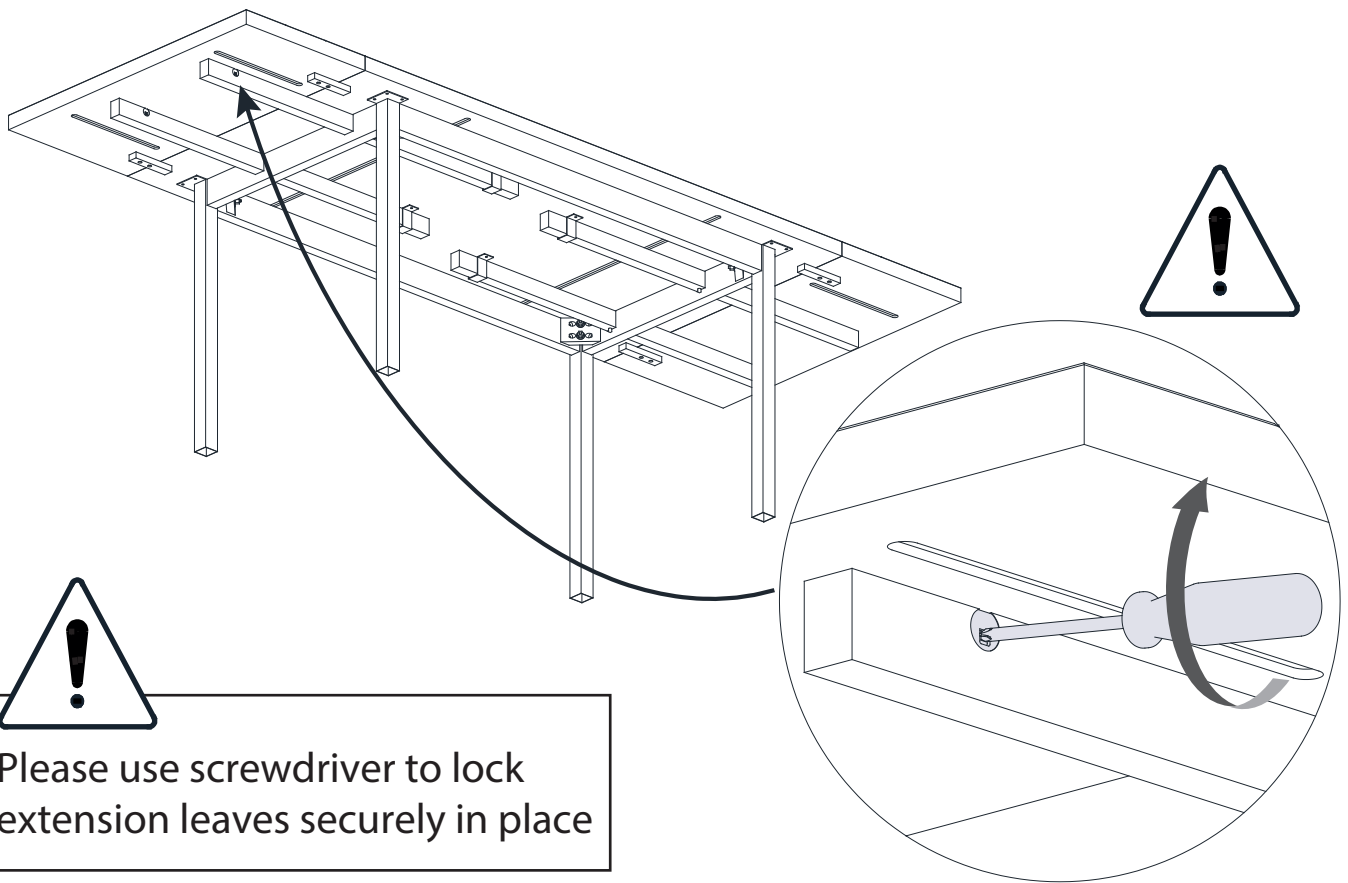


Step 3



Assembly Instructions

Step 4



Step 5

