

QM290841

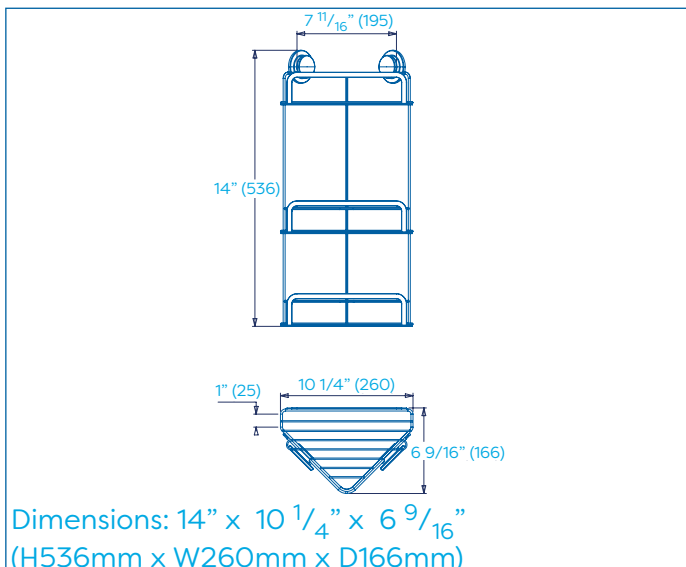
STICK N LOCK THREE TIER CORNER BASKET



ILLUSTRATED

QM290841 STICK N LOCK THREE TIER CORNER BASKET

CONFIGURATIONS



MATERIAL

Wireware: Electroplated Mild Steel with EP (Electrophoretic) Coating
Wall Bracket: ABS Plastic

COLOURS

Chrome

WEIGHT

1.8lb (860g)

PACKAGING

N/A

FREQUENTLY USED APPLICATIONS

Residential
Hotels

FEATURES

High quality chrome plated finish.

CARE AND MAINTENANCE

Clean surfaces with a damp cloth and wipe dry using a soft cloth.
Do not use chemical or abrasive cleaners as these may damage the surface finish.

GUARANTEE

Consumer Statutory Rights Apply

Tel: +44 (0) 1264 365881
Fax: +44 (0) 1264 356437
Email: info@croydex.co.uk
Web: www.croydex.com

Printed material, designs and packaging are protected by copyright and design right.

Date Created:23/07/21 | REV 001