



Universal Dog Guard (SWDG2)

Information for Use



- Fully height adjustable with specially designed extending side panels,
- Suitable for most Hatchbacks, Estates & 4x4's.
- Width adjusts from 91cm - 151cm
- Height adjusts from 81cm - 133cm

Watch product video
via QR code below



Streetwize: Ashburton Road West, Trafford Park, Manchester, M17 1RY

www.streetwizeaccessories.com

For product support:

E: support@streetwizeaccessories.com

T: +44 (0)161 447 8597

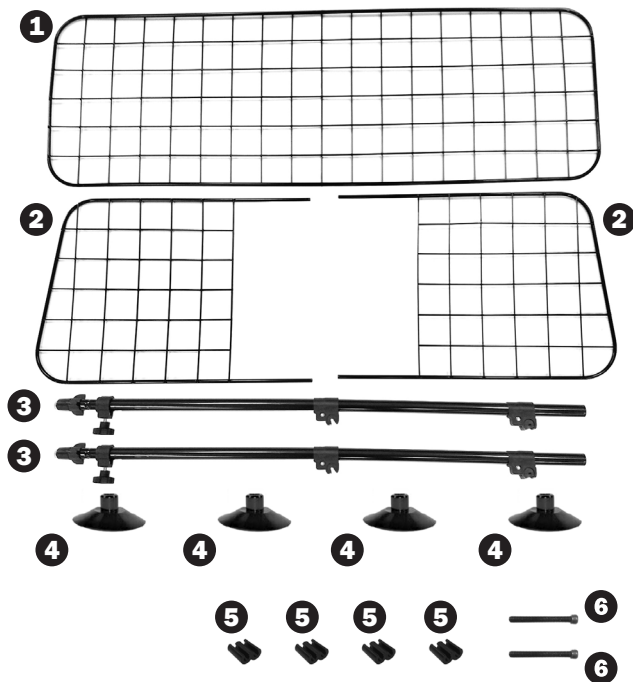
For trade enquiries:

E: sales@streetwizeaccessories.com

T: +44 (0)161 447 8580

For spare parts:

E: spareparts@streetwizeaccessories.com



1. Arrange the wire mesh assembly (parts 1 and 2-(x2)) to the appropriate size to fit the width of the vehicle and secure using the clips (5)-x4 supplied as in (Diagram 1 - opposite).
2. Add two of the end caps supplied (4)-x4 to the ends of the support bars (Diagram 2 - opposite) and insert bolts (6) into the remaining two end caps (Diagram 3 - opposite)
3. Screw the bolts (6) with end caps attached into the bottom of support bars
4. When assembled, connect the support bars (3) to the wire mesh assembly, using the 4 clips (6) on each support bar (Diagram 4 - opposite), and tighten using a phillips screw-driver (not supplied).
5. Adjust the height of the support bars to the approximate height of the vehicle floor and roof and tighten adjustable screw (7) to secure.
6. Place in the vehicle as shown in the image on the front of these instructions, adjust the extending screws (8) to tighten the support bars securely to the roof & floor of the vehicle.
7. If using dog guard for a prolonged period, ensure to regularly check all fittings and tighten as necessary.



Diagram 1



Diagram 2

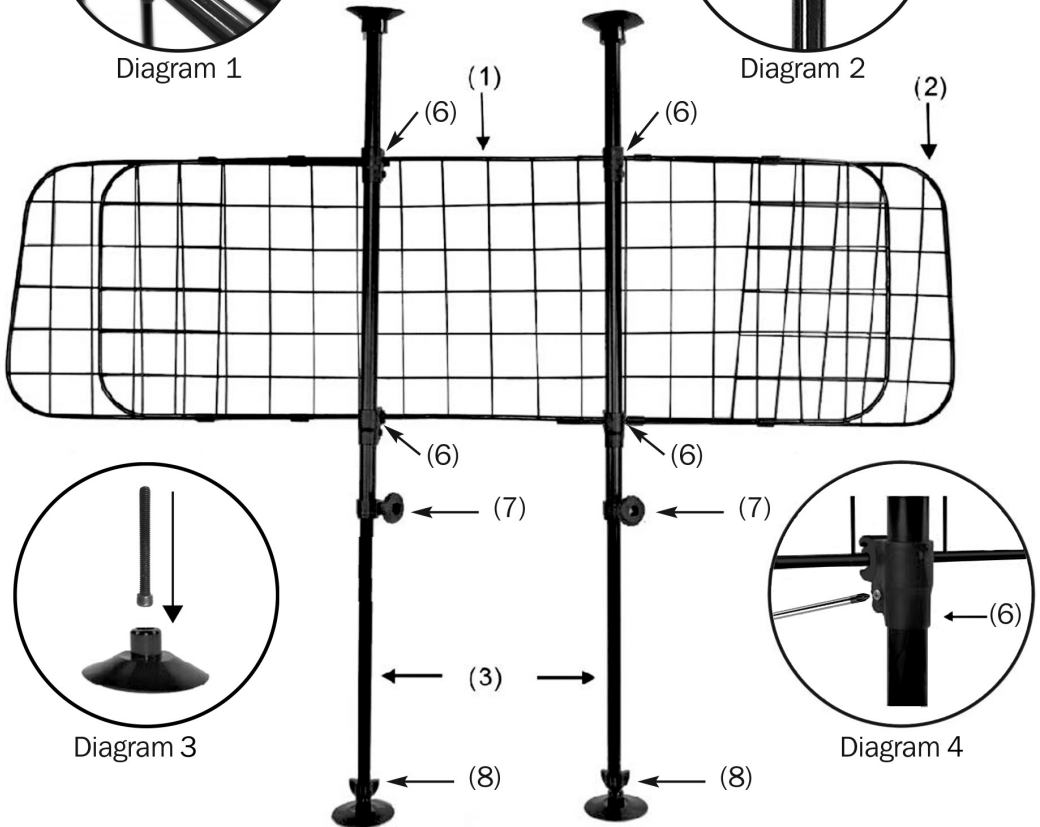


Diagram 3

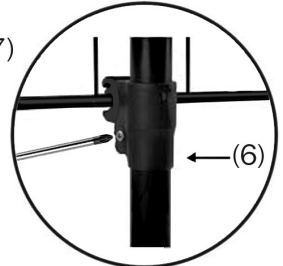


Diagram 4



**We have over 1000 car and
leisure products in our range**

To find out more visit our website:
www.streetwizeaccessories.com

 [Download Manuals](#)  [Contact Us](#)  [Browse our Range](#)

Or follow us on social media

 Search **“Streetwize”**    

Streetwize: Ashburton Road West, Trafford Park, Manchester, M17 1RY

www.streetwizeaccessories.com

For product support:

E: support@streetwizeaccessories.com

T: +44 (0)161 447 8597

For trade enquiries:

E: sales@streetwizeaccessories.com

T: +44 (0)161 447 8580

For spare parts:

E: spareparts@streetwizeaccessories.com