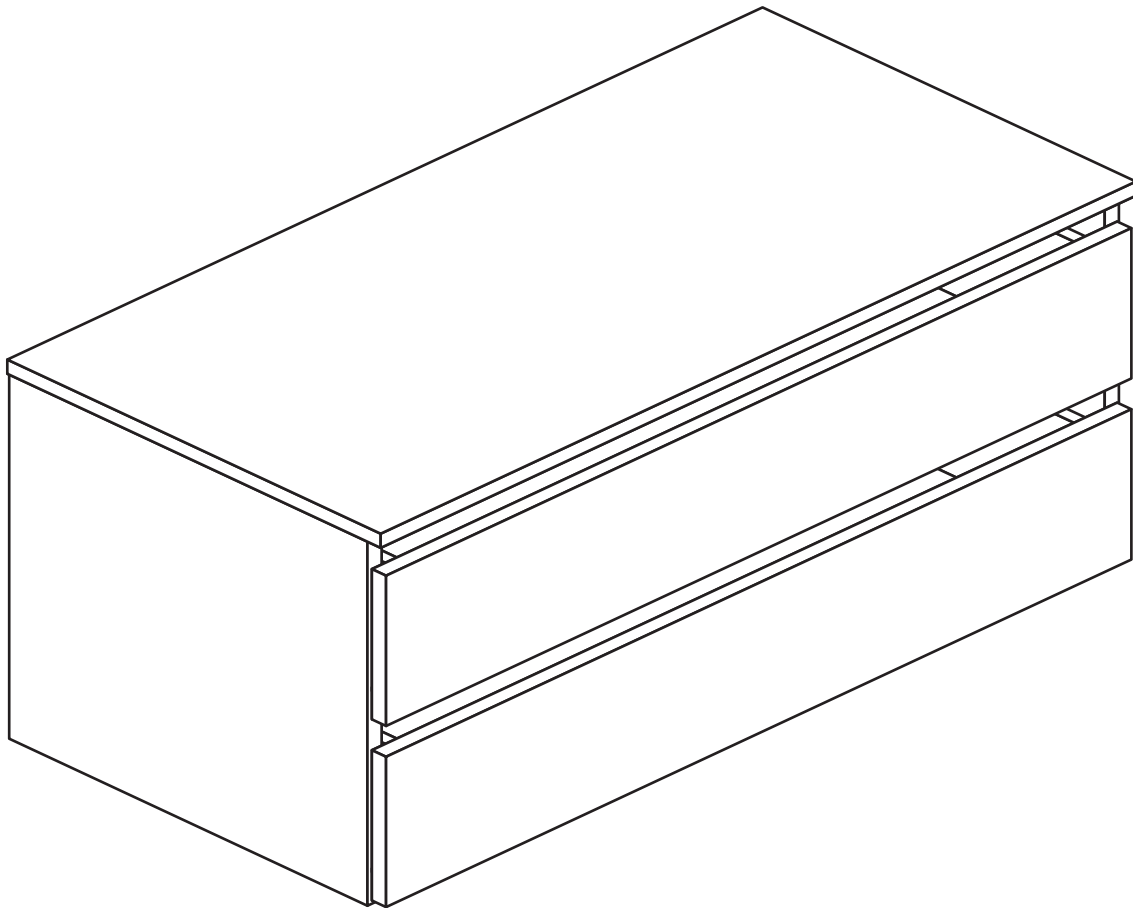


Holsted

1800

HOME

919/4481



Spare Parts

Visit: www.argos-support.co.uk

Email: Help@ClickSpares.co.uk

Call: 0330 016 1114

Customer Support

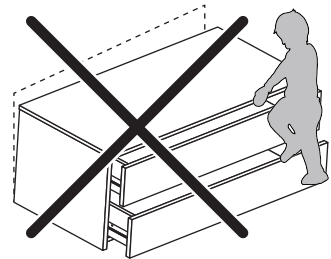
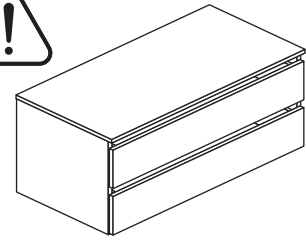
Call: 0345 640 2020

Safety

Important - Please read these instructions fully before starting assembly

- Warning: This unit weighs approximately 15kgs. Please lift with care.
- During assembly children should be kept away from the product due to possible risk of injury.
- Installation shall only be carried out exactly according to the manufacturer's instructions - otherwise a safety risk can occur if incorrectly installed.
- Do not use this item if any components are missing or damaged.

- **WARNING:** To prevent possible overbalancing this unit must be secured to the wardrobe.
- A unit that is allowed to topple can cause serious or fatal injury. In addition to fixing the unit, place heavy items in the lower drawer, do not put any heavy objects on top of the unit and never allow children to climb or hang on drawers, doors or shelves.



Care Advice

- Check you have all the components and tools listed on relevant pages.
- Remove all fittings from the specified plastic bag and separate them into their groups.
- Parts of the assembly will be easier with 2 people.
- Make sure you have enough space to layout the parts before starting.
- Do not stand or put weight on the product, this could cause damage.

- Assemble the item as close to its final position (in the same room) as possible.
- Assemble on a soft level surface to avoid damaging the unit or your floor (use opened out unit carton).



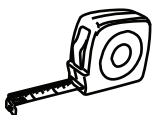
- Assembly videos are available throughout these instructions by scanning in the QR codes.



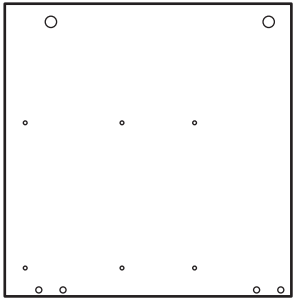
- We do not recommend the use of power drill/drivers for inserting screws, as this could damage the unit. Only use hand screwdrivers.

- Dispose of all packaging carefully and responsibly.
- Only clean with a damp cloth.

Tools

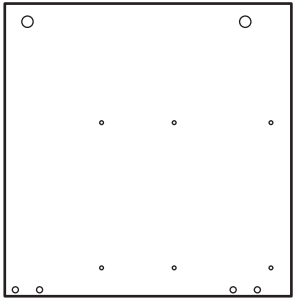


Cabinet Panels



DF-00016656

1 38.7 x 37.9cm



DF-00016669

2 38.7 x 37.9cm



DF-00016688

3 79.9 x 39.5cm



DF-00016689

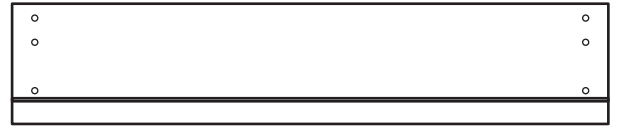
4 76.5 x 6cm X 2



XDF-00016690

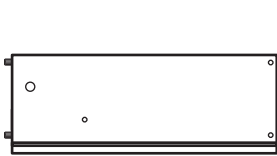
5 79.1 x 39.7cm

Drawer Panels



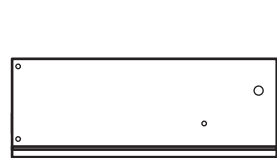
DF-00016692

6 78.85 x 15.9cm X 2



WRP-00000187

7 35 x 13cm X 2



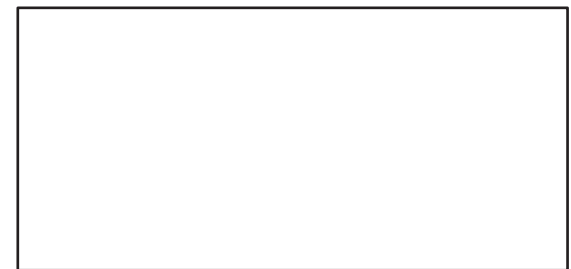
WRP-00000188

8 35 x 13cm X 2



WRP-00000191

9 71.6 x 13cm X 2



TDF-00016704

10 72.7 X 34.7cm X 2

Fittings

Use these drawings to correctly identify the fittings

Bag 1

A x 8 **B** x 8 **C** x 4 **D** x 12
E x 8 **F** x 20 **G** x 4 **H** x 4

Bag 2

A x 4 **B** x 4 **C** x 8
I x 8 **J** x 8 **K** x 4

L a x 2 **L b** x 2
L c x 2 **L d** x 2
M x 2

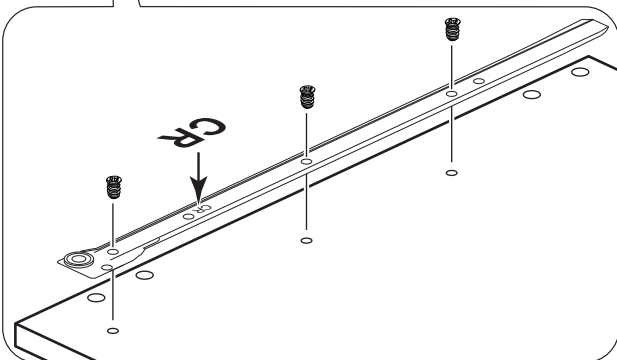
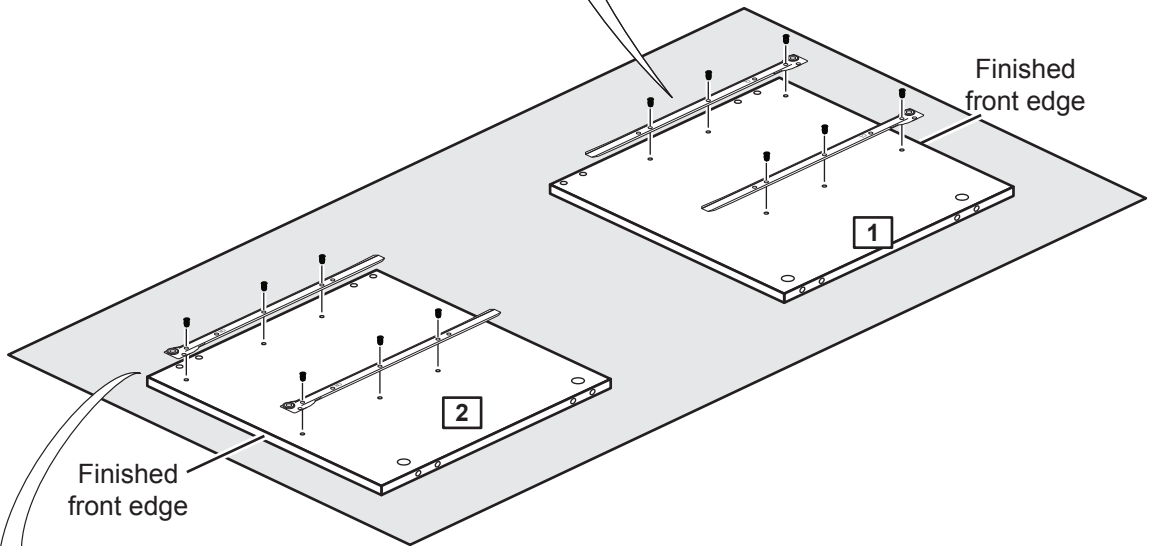
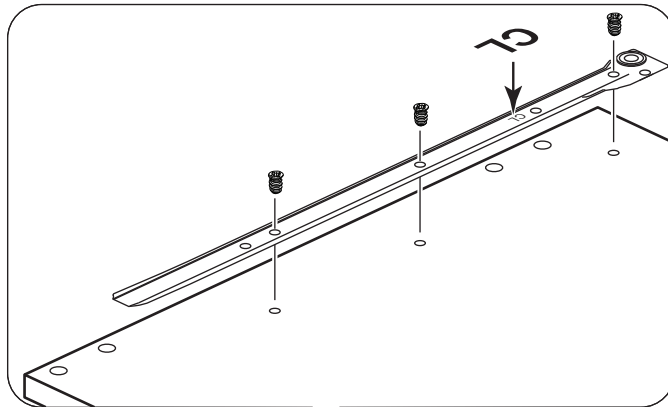
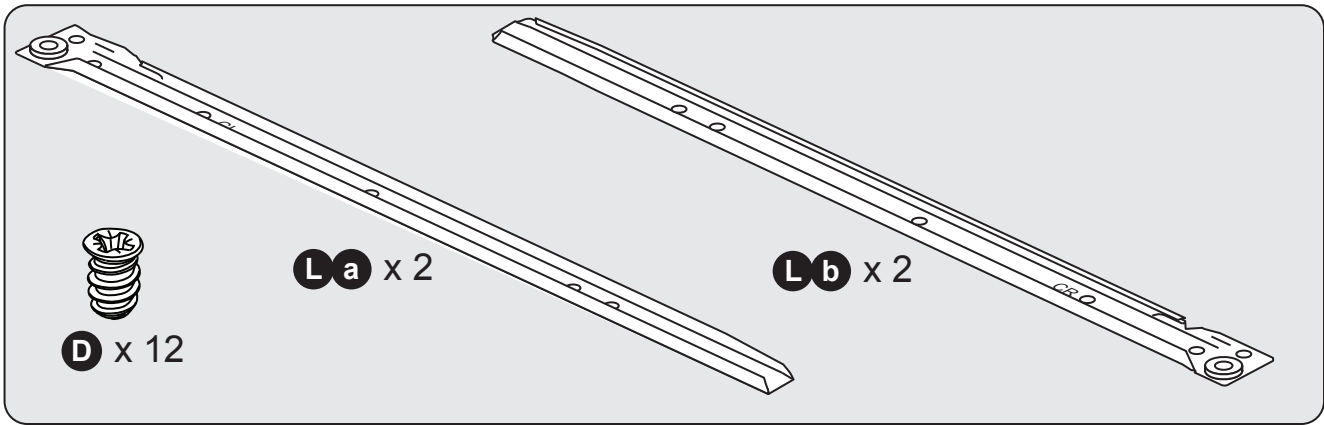
F422 F424
 F425 F426
 F420

1

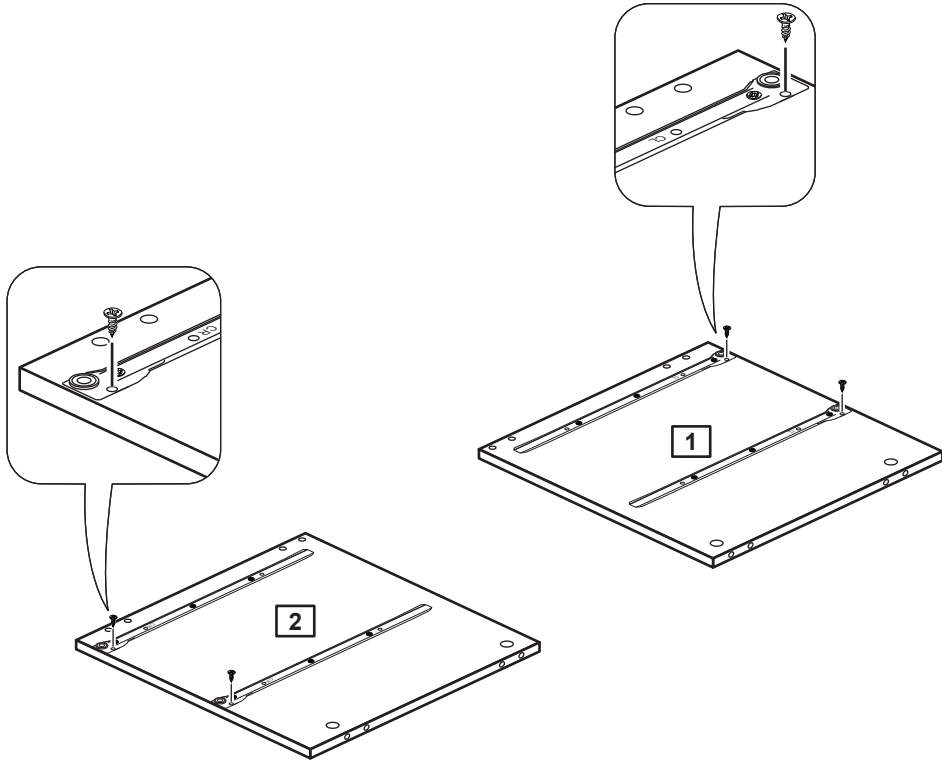
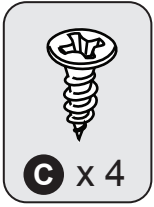


Fixing Bottom Mounted Runners

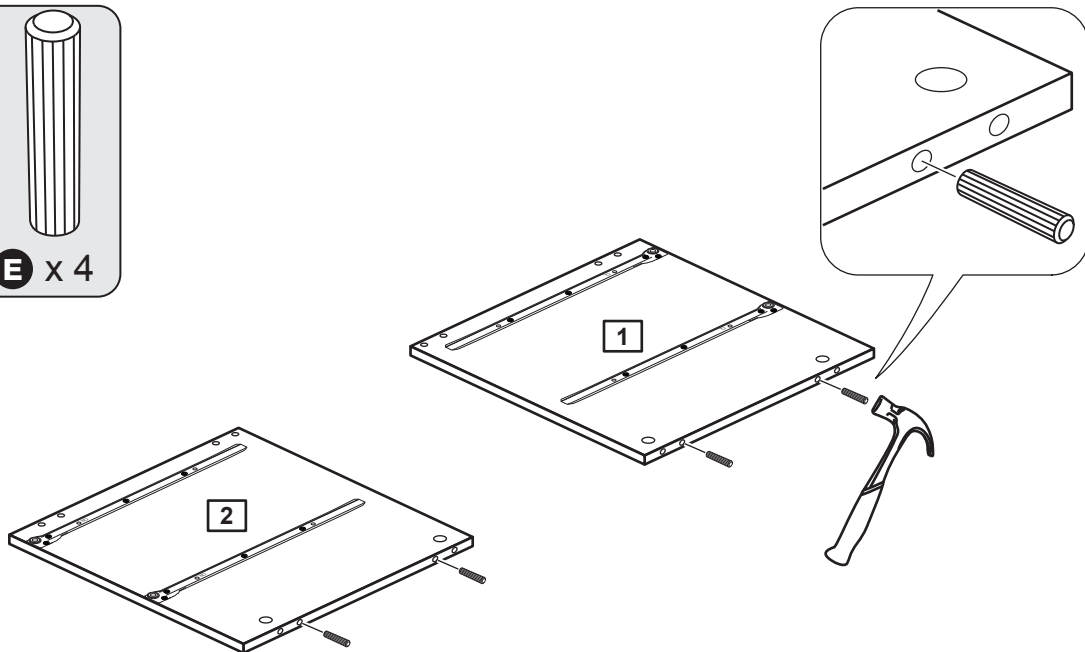
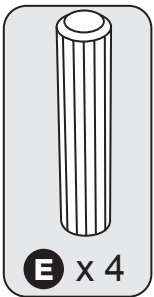
<https://www.youtube.com/watch?v=Z6lGMy19h7Q>



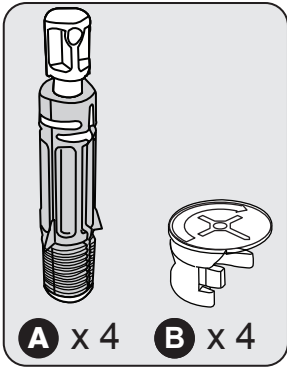
2



3

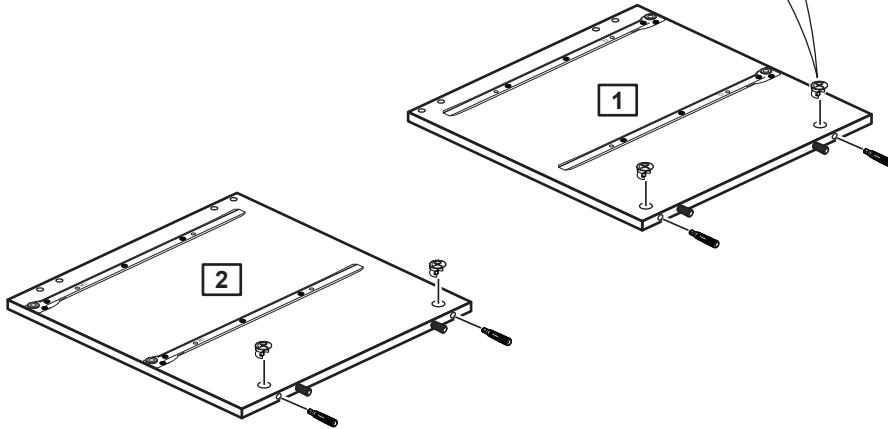
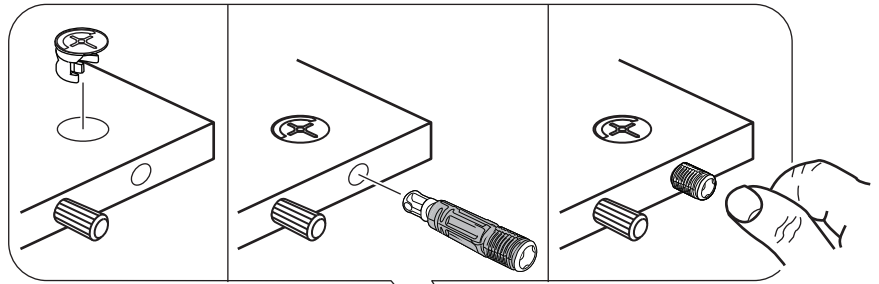


4

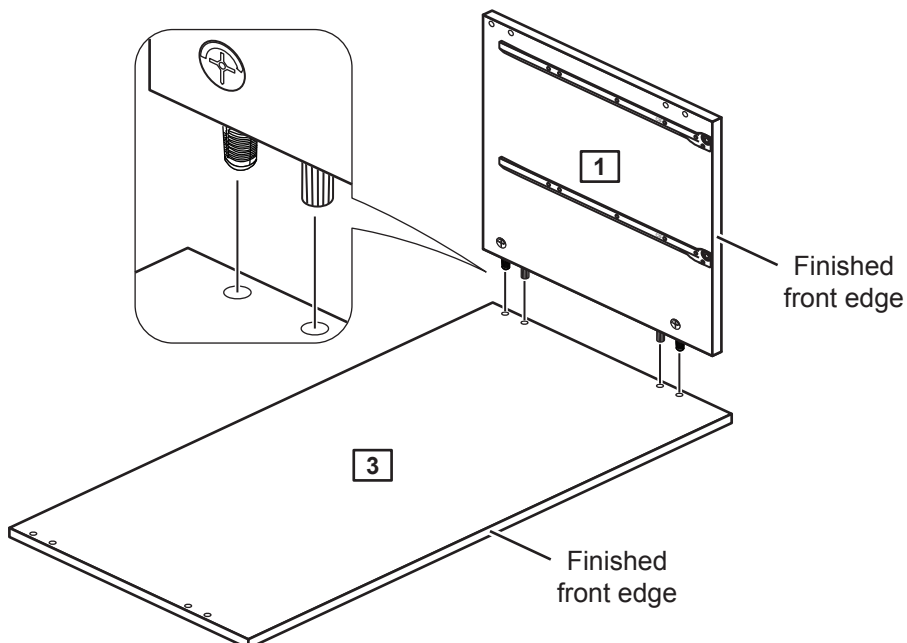


Panel Assembly

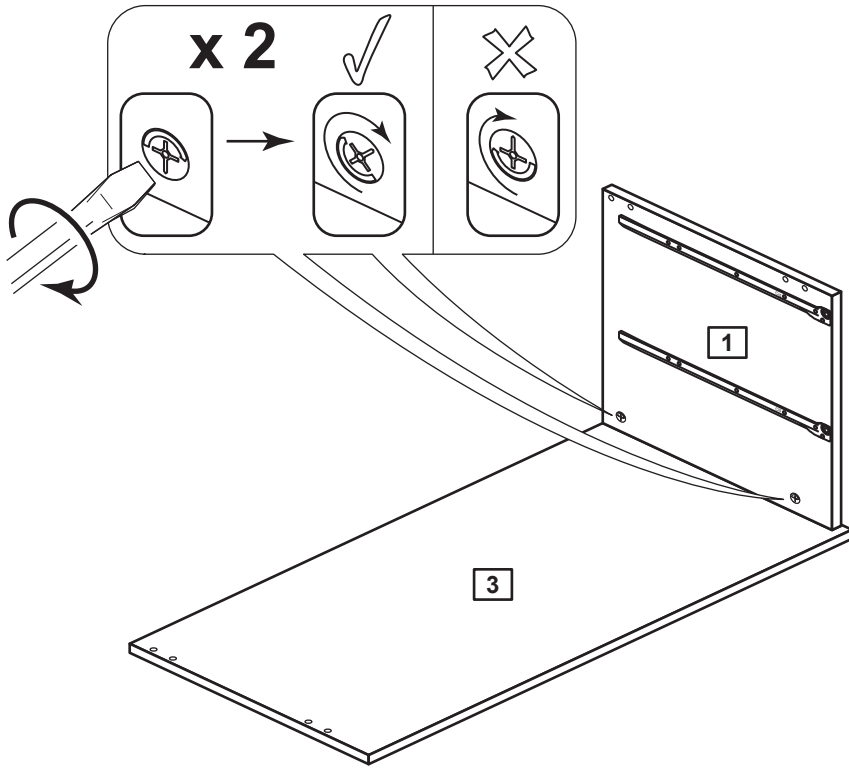
<https://www.youtube.com/watch?v=33kDsSSfxjw>



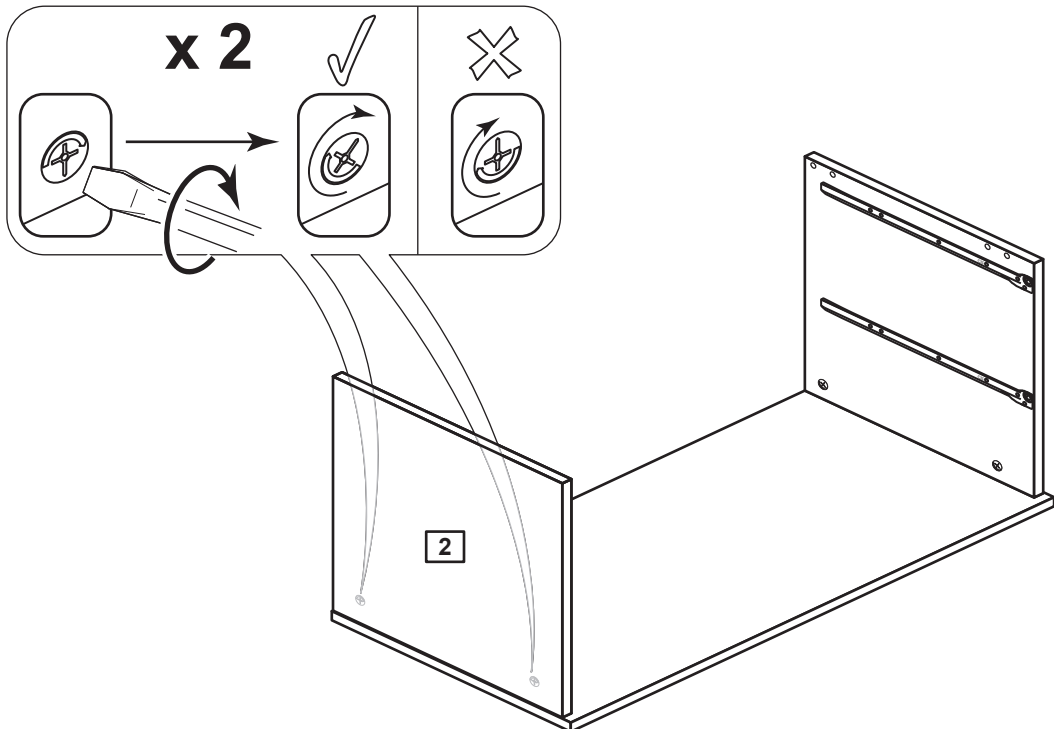
5



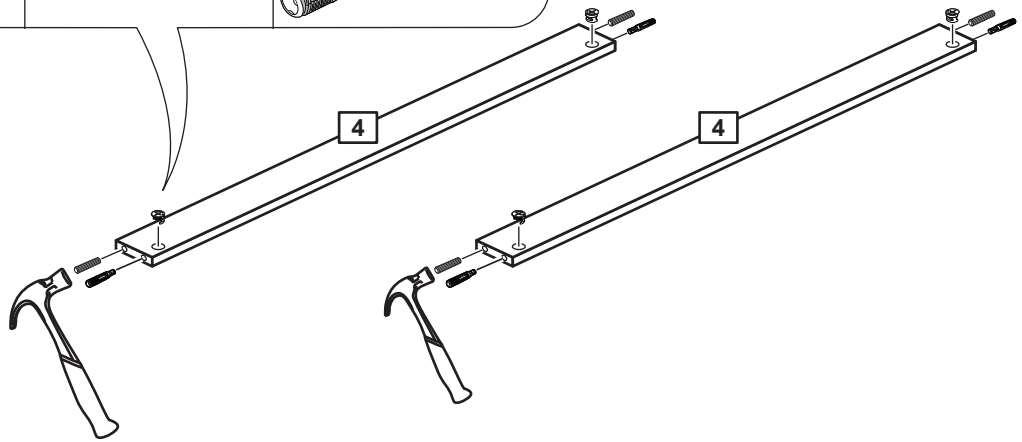
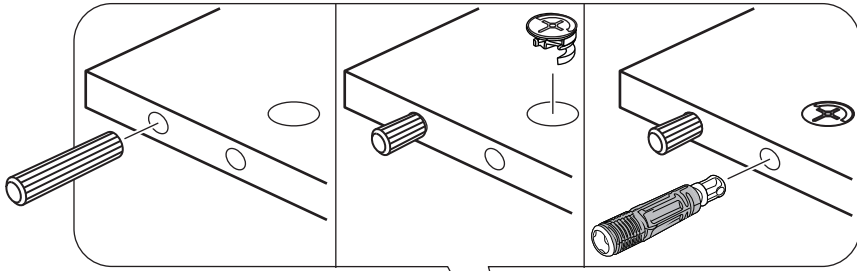
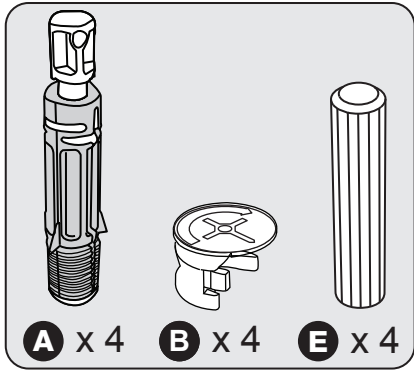
6



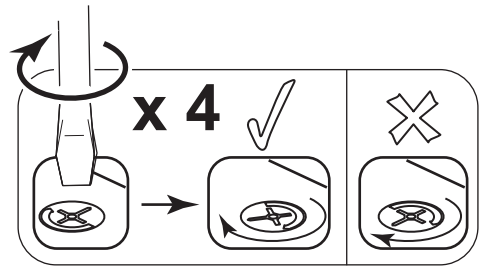
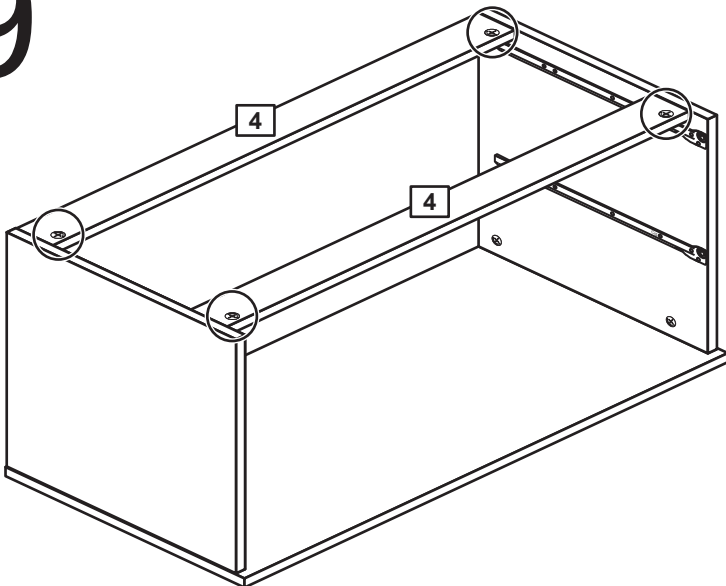
7



8



9



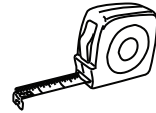
10



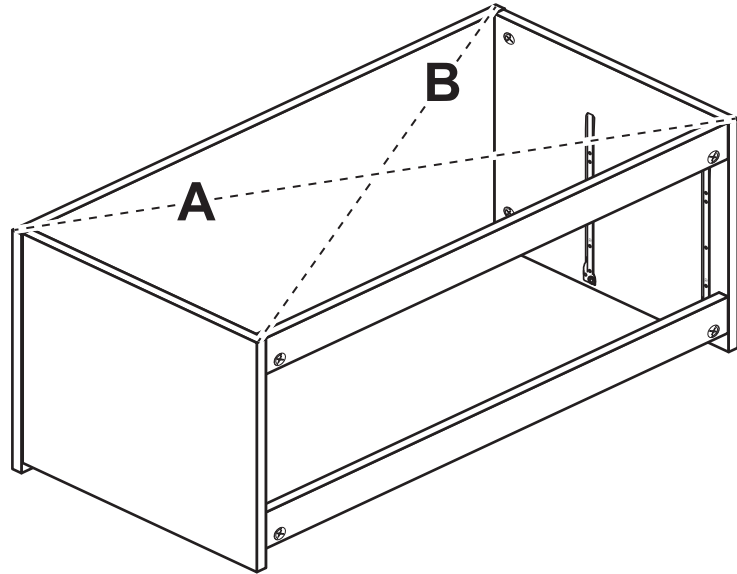
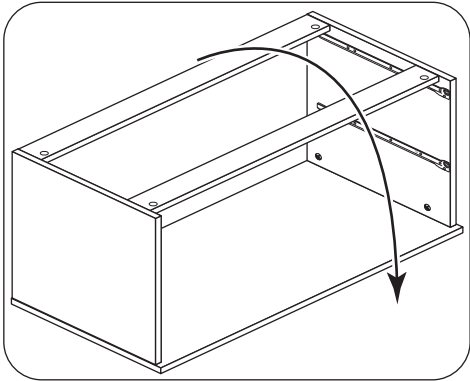
Squaring up a Chest and fitting the Back Panel

www.youtube.com/watch?v=Feal6541z7o

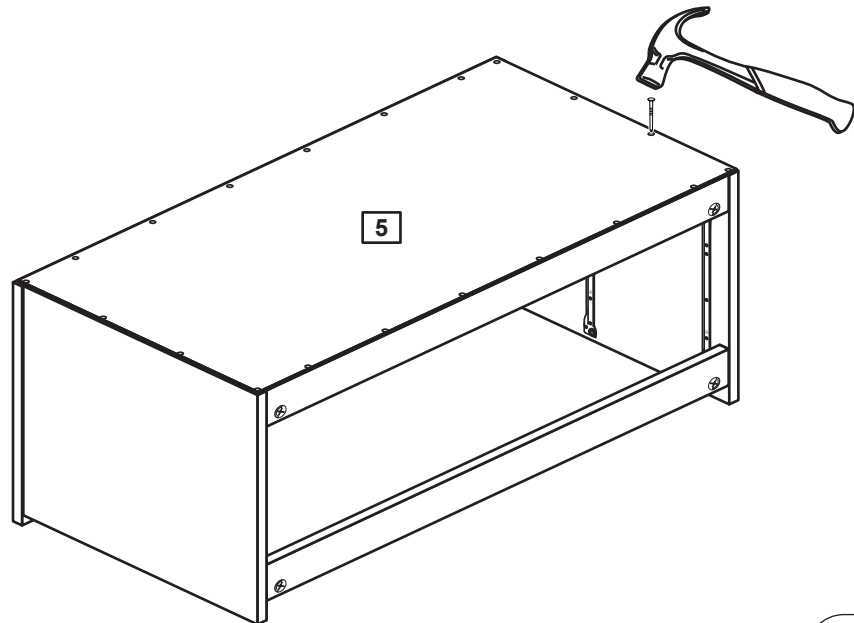
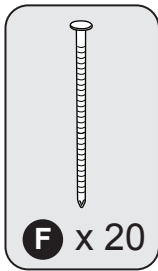
The unit **MUST** be square
Make sure measurement
A and B are the same



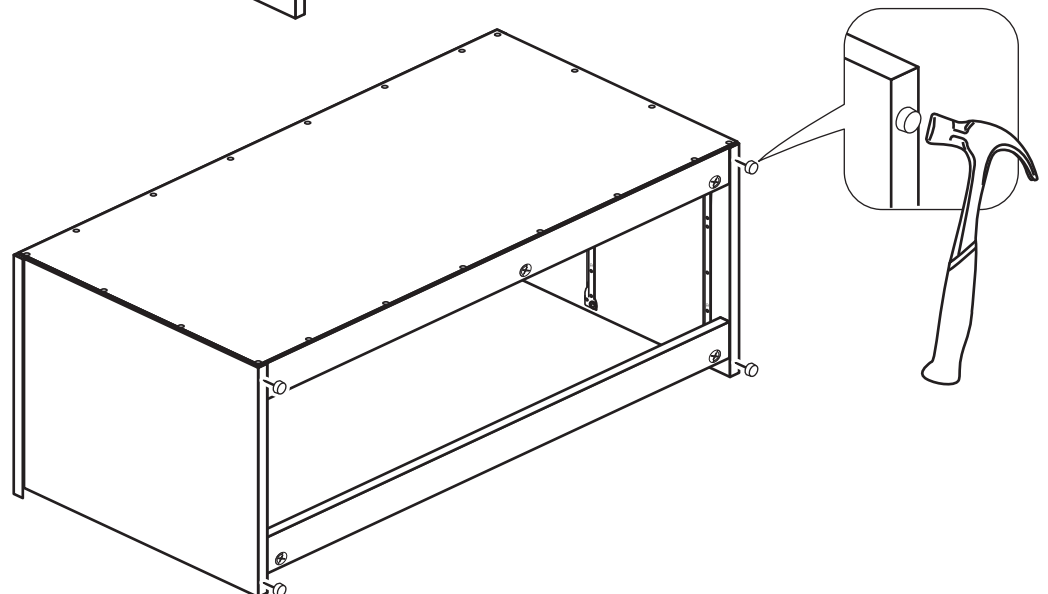
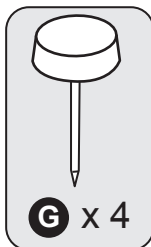
A = B



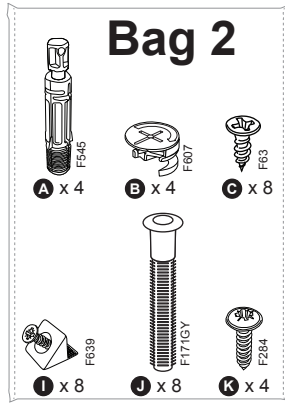
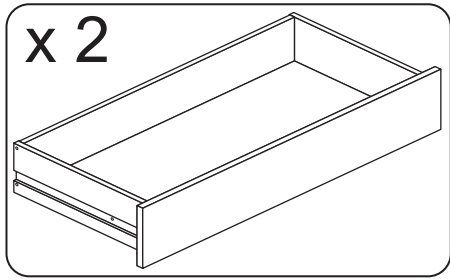
11



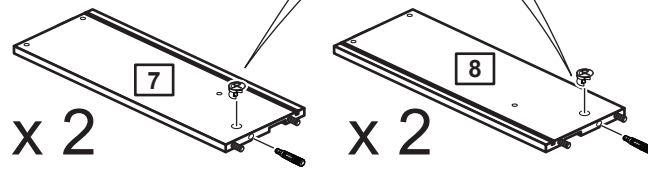
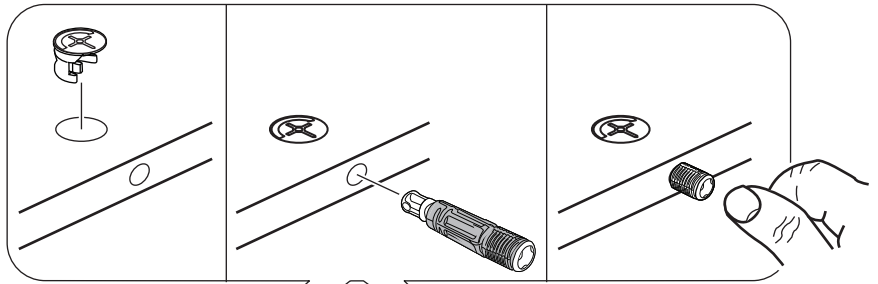
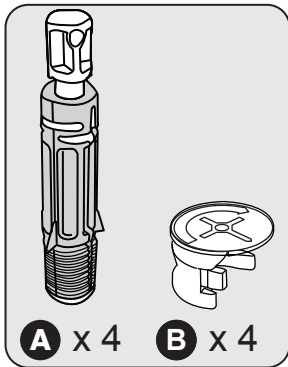
12



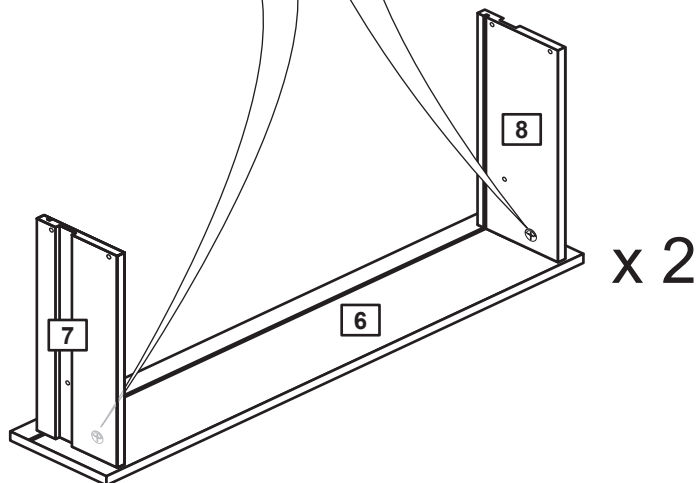
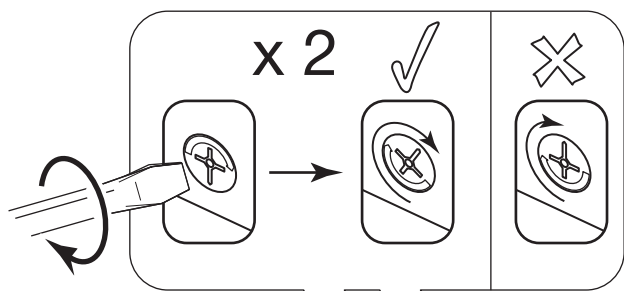
Drawer Assembly



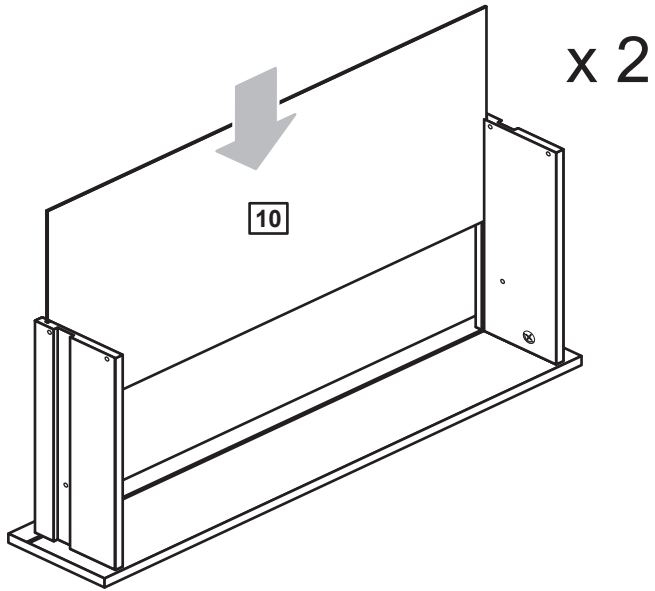
13



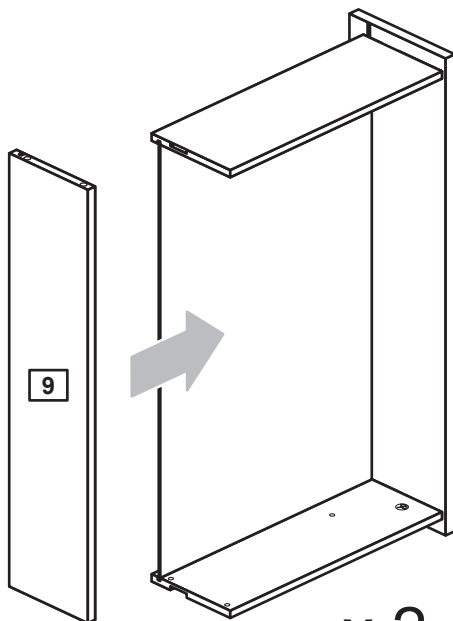
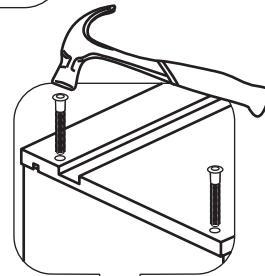
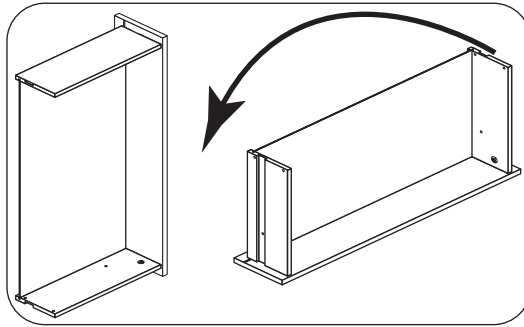
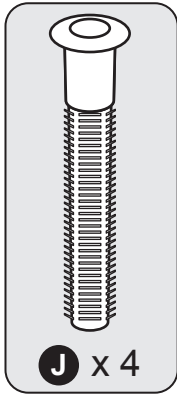
14



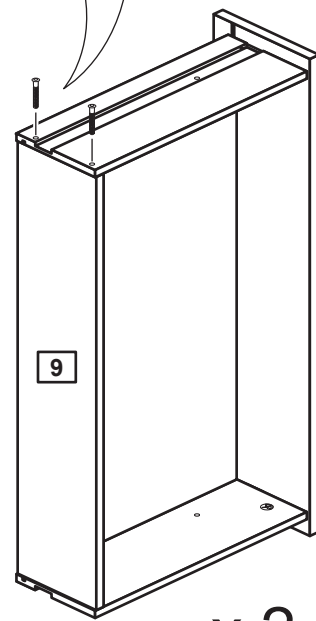
15



16

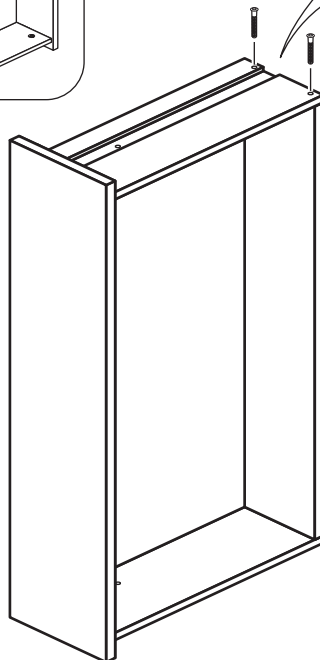
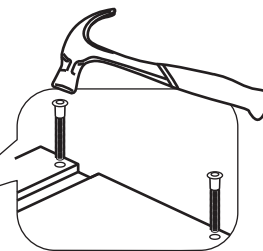
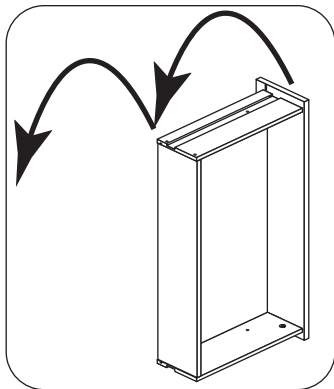
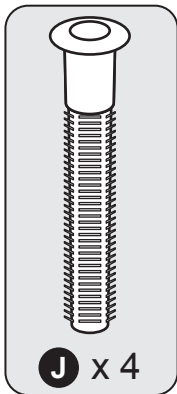


x 2



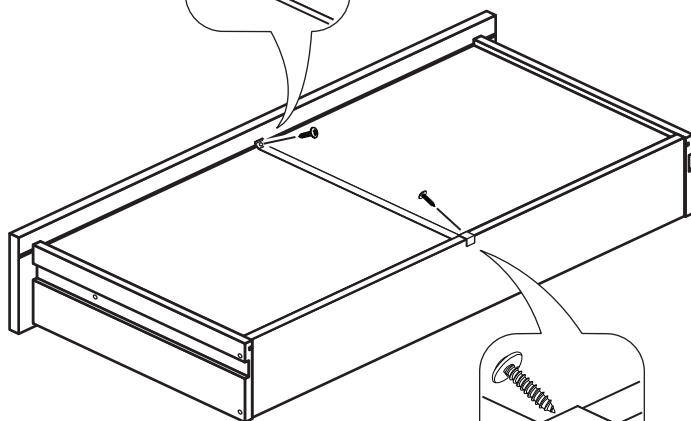
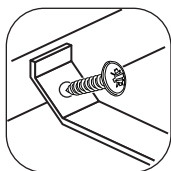
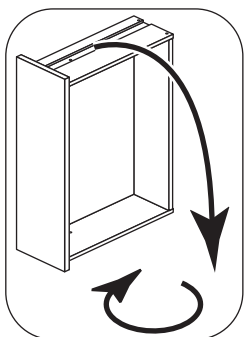
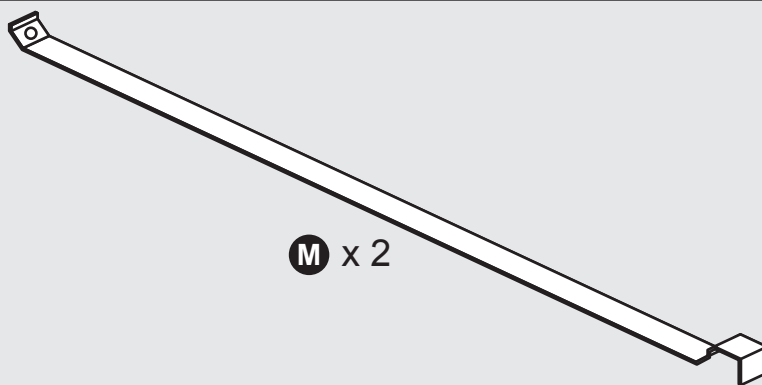
x 2

17

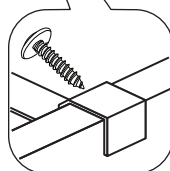


x 2

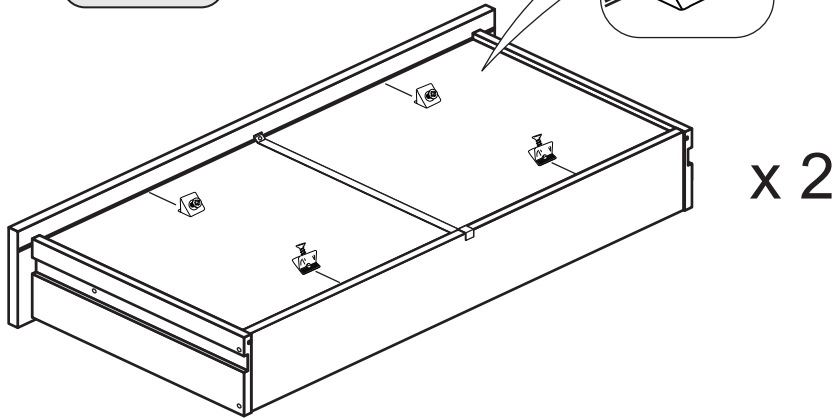
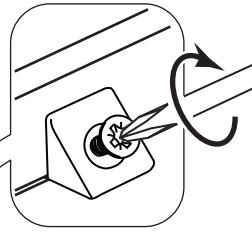
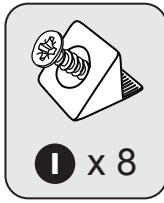
18



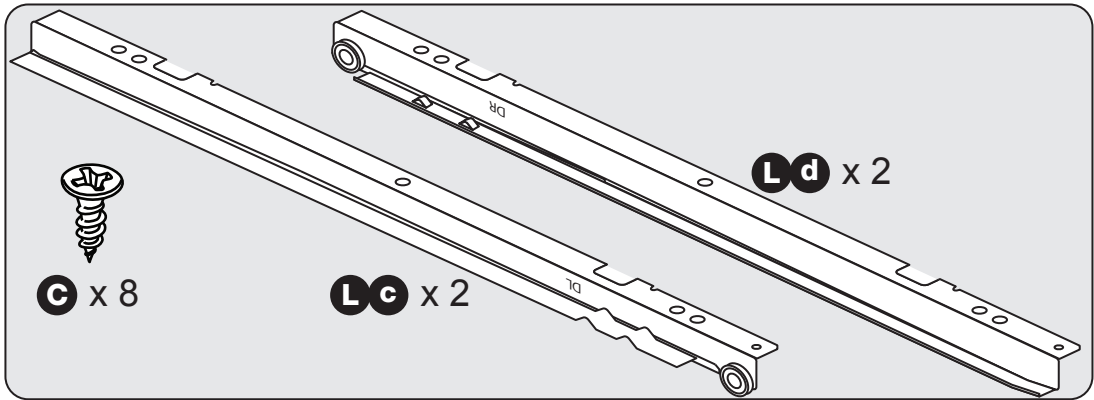
x 2



19

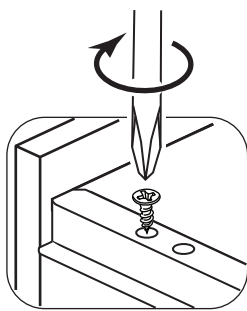


20

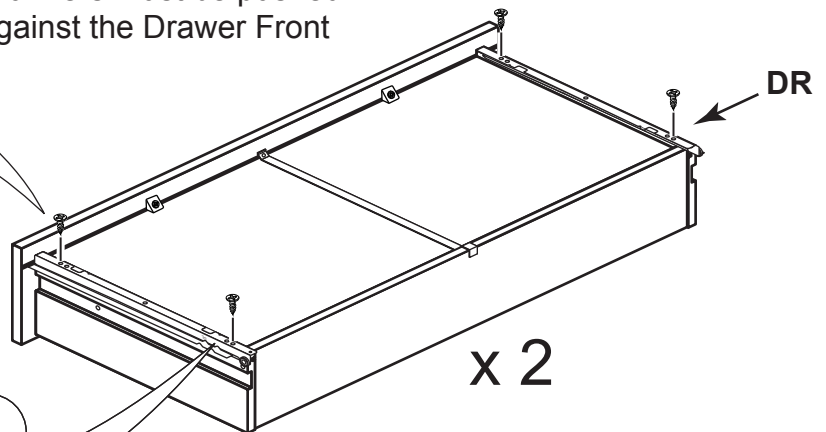
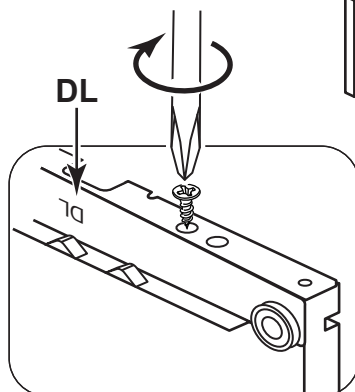


Fixing Bottom Mounted Runners

<https://www.youtube.com/watch?v=Z6IGMy19h7Q>



The Runners must be pushed up against the Drawer Front

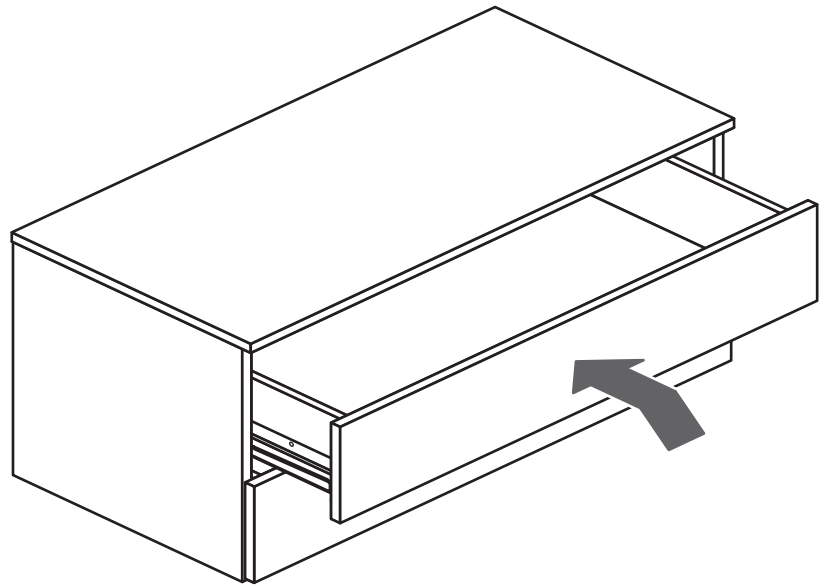
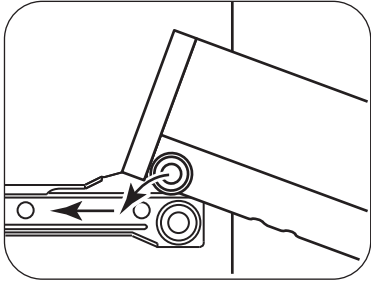


21



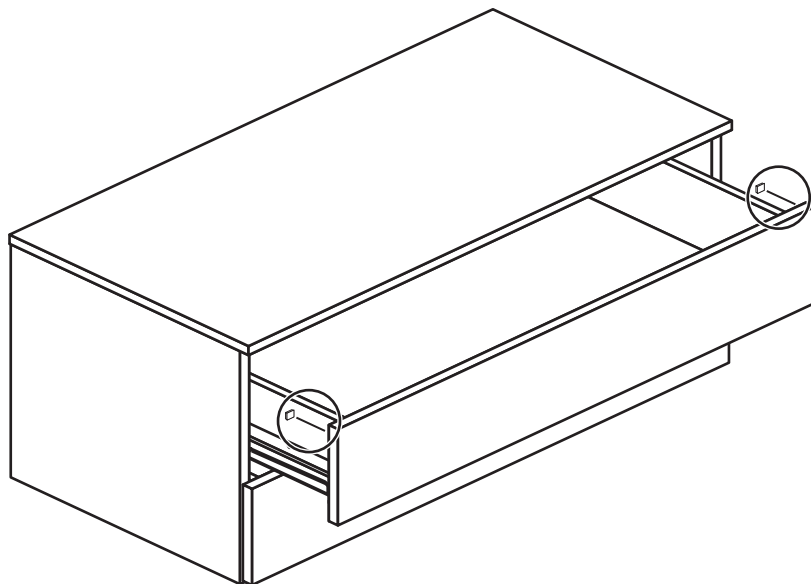
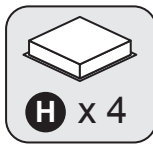
Fixing Bottom Mounted Runners

<https://www.youtube.com/watch?v=Z6IGMy19h7Q>

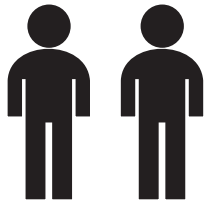


Insert the Drawers by sliding the wheels of the Runners fitted to the Drawers, over the wheels of the Runners fitted to the side panels and push the Drawers into position

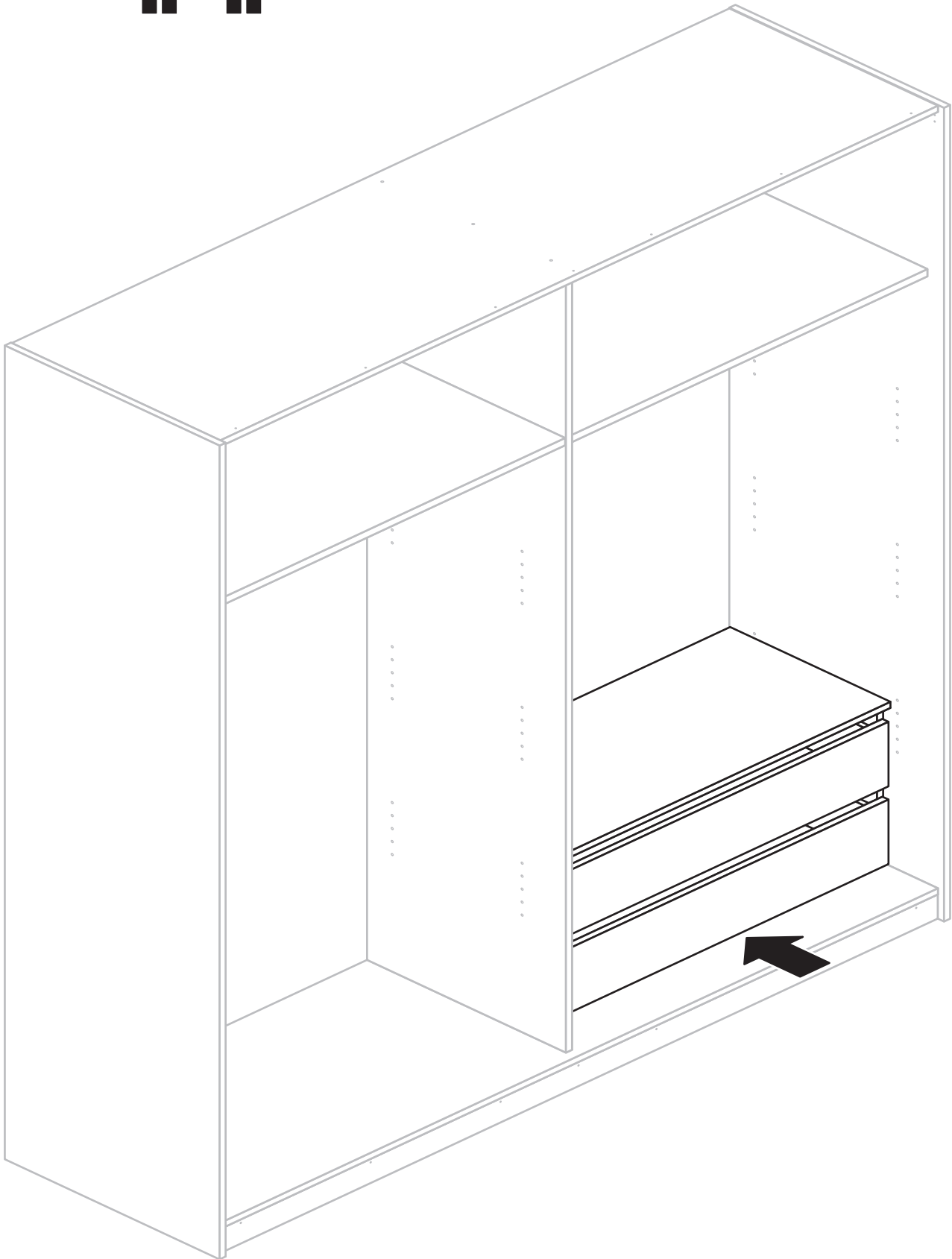
22



23



Carefully place the Unit inside your Wardrobe in the required position



Assembly is complete