

# cookworks

## Variable Temperature Glass Kettle

Model No. KE8040T-GS



### Care & Instruction Manual

For household and indoor use only

Please read these instructions before use and retain for future reference



## ELECTRICAL SAFETY

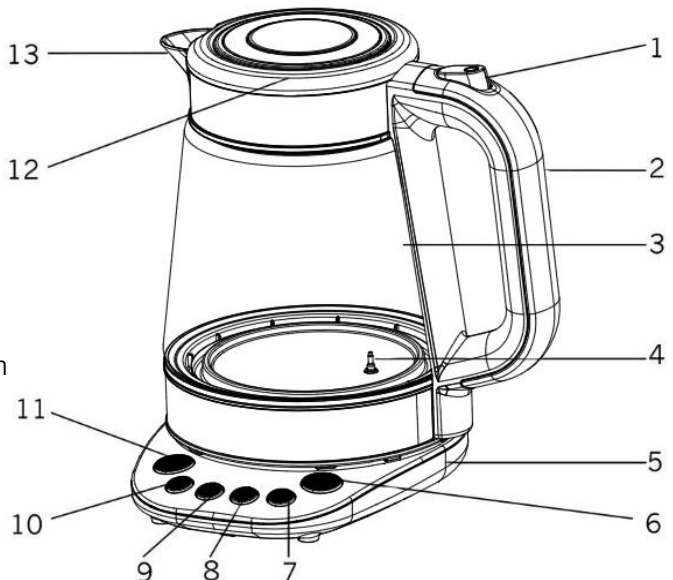
- You should only plug the appliance into a 220V-240V AC, 50Hz supply. Connecting it to other power sources may damage the appliance and will invalidate the guarantee.
- Switch off and unplug when not in use and before cleaning the appliance.
- Keep the appliance and its cord out of reach of children less than 8 years.
- Do not allow children to use the appliance without supervision.
- This appliance can be used by children aged from 8 years and above and persons with reduced physical, sensory or mental capabilities or lack of experience and knowledge if they have been given supervision or instruction concerning use of the appliance in a safe way and understand the hazards involved. Children shall not play with the appliance. Cleaning and user maintenance shall not be made by children unless they are older than 8 and supervised.
- Keep stand, cable, plug and outside of kettle dry and away from areas where it is likely to get splashed. Avoid spillage on the connector. Never immerse in water.
- Do not pull on the cable to disconnect from mains supply.
- Do not operate the appliance if damaged or after it malfunctions. In the event the supply cord is damaged, in order to avoid a hazard it must only be replaced by a qualified service engineer, with a suitably approved part.
- This appliance must be positioned so that the plug is accessible and the plug socket is within easy reach of the power cord.
- This appliance must be plugged in to an earthed socket outlet.

## WARNING!

- This appliance is intended exclusively for use in domestic households. It is not suitable for commercial use.
- Do not open the lid while the water is boiling or when steam is coming out of the kettle.
- Do not cover and allow the kettle to cool fully before storing.
- The surfaces of the kettle will become hot during use. Do not touch and always carry by the handle. Note the kettle and heating element is subject to residual heat after use.
- Do not use the kettle near or under surfaces that are heat sensitive or those that may be damaged by steam.
- Do not overfill the kettle as boiling water may be ejected during operation.
- Use only with the stand provided and to heat water. This appliance can cause personal injury if misused.
- The body of this kettle is made from thermally resistant glass; however this is still glass and will shatter if subjected to physical impact or being dropped.

## PARTS

1. Lid button
2. Handle
3. Body
4. Thermocouple
5. Stand
6. Keep warm button
7. 100°C button
8. 90°C button
9. 80°C button
10. 70°C button
11. On / Off (⏻) button
12. Lid
13. Spout



## TO USE THE KETTLE

This kettle can be used to heat water to a variety of temperatures, ideal for the preparation of some fruit and speciality teas that are best prepared at lower temperatures. The kettle can also keep water at the selected temperature up to 30 minutes if desired.

1. Place the kettle and stand on a stable, flat, heat resistant surface and away from surfaces that may be damaged by steam.
2. Fully unwind the cable, plug in and switch on at the mains, a bleep will be heard and the indicators will briefly illuminate. For safety do not allow the cable to dangle over the edge of units.
3. Remove the kettle from the stand; press the lid button to open the lid. Fill to the required level using the graduated markings on the glass body as a guide. Do not fill past the maximum (1.7 litre / 7 cups) or below the minimum (0.5 litre / 2 cups) level.
4. **Close the lid fully** (it clicks as it closes), replace the kettle on the stand and turn the kettle so that the spout faces away from you.
  - To boil the kettle, press the ON / OFF (🔌) button. The indicators in the on/off and 100°C buttons will illuminate.
  - To heat water to 90, 80 or 70°C, press the on /off button and then press the temperature button of choice. The indicators in the ON/OFF (🔌) and temperature button of choice will illuminate.
  - To keep the water at the selected temperature, follow direction above and then press the KEEP WARM button before the kettle reaches the desired temperature. The indicator in the button will flash to show that this mode has been selected.

## TO USE THE KETTLE (CONTINUED)

5. Unless the 'keep warm' function has been selected, the kettle will beep and switch off automatically when the water reaches the desired temperature and the indicator lights will go off.
6. If the 'keep warm' function has been selected. The kettle will reactivate periodically to maintain the desired temperature for up to 30 minutes. During this interval the kettle can be removed from the stand (max 3 min) and replaced and the setting will be retained. The on/off, temperature and keep warm indicators will remain lit to show that the kettle is in keep warm mode.
7. To stop or interrupt the heating process, switch the appliance off by pressing the ON/OFF (🔌) button or removing the kettle from the stand.

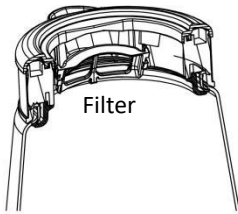
### Notes:

- Before using for the first time, fill the kettle to the maximum level, bring to the boil and then discard water. Repeat this step two further times.
- This kettle is fitted with a safety device that automatically switches off the heater element if the appliance is inadvertently switched on when empty or if it boils dry. In this case allow the kettle to cool completely (minimum 15 minutes) before refilling with cold water. The kettle will resume operation after refilling.

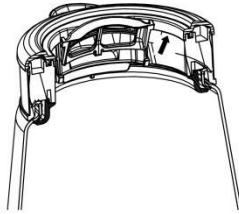
## CLEANING

To maximize the efficiency of the kettle, clean and descale it regularly. **If living in a hard water area it will be necessary to descale the kettle frequently (e.g. weekly) to maintain visual appearance of the glass.**

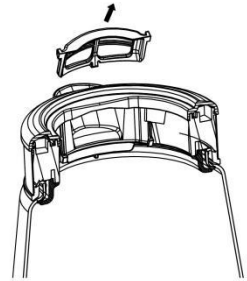
1. Switch off and unplug the kettle and allow it to cool completely.
2. Open the lid and then slide the filter upwards to remove (fig 2 & 3). Clean the filter under a running tap while gently brushing with a soft nylon brush to remove the scale. Refit the filter.



**Fig. 1**



**Fig. 2**



**Fig. 3**

3. Descale with a proprietary descaler suitable for glass kettles and use in accordance with the instructions on the pack. Alternatively half fill the kettle with water and add the juice of one lemon. Boil the kettle and allow it to stand for 15 minutes. Repeat this last step a further two times before discarding the solution.
4. After descaling the kettle, fill the kettle to the maximum level, bring to the boil and then discard the water.
5. Wipe external surfaces with a soft damp cloth. Do not use detergent or abrasives as these may scratch the surface.

## TECHNICAL SPECIFICATION

Cookworks Variable Temperature Glass Kettle	
Model	KE8040T-GS
Rated Voltage & Frequency	220 – 240V AC 50 – 60Hz
Rated Power Input	1850 – 2200W
Capacity	1.7 litre
Class rating	1 (earthed)
BS 1362 fuse	10A
Product dimensions (external)	233 x 213 x 258 mm
Product weight (net)	1.4 kg approx.



## RECYCLING ELECTRICAL PRODUCTS

You should now recycle your waste electrical goods and in doing so help the environment.

This symbol means an electrical product should not be disposed of with normal household waste. Please ensure it is taken to a suitable facility for disposal when finished with.

Visit [www.recycle-more.co.uk](http://www.recycle-more.co.uk), click on “bank locator” and enter your postcode to find your nearest recycling site.



## PLUG / WIRING ADVICE

The wires in this mains lead are coloured in accordance with the following UK electrical code:

BLUE = NEUTRAL

BROWN = LIVE

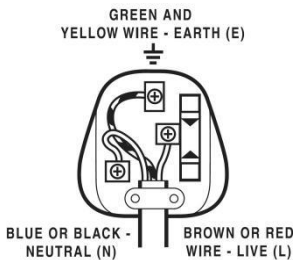
GREEN + YELLOW = EARTH

### Non-rewireable plug

This appliance may be fitted with a “non-rewireable” plug. If you need to change the fuse in a “non-rewireable” plug, the fuse cover must be refitted. If the fuse cover is lost or damaged, the appliance must not be used.


### Rewireable plug

The colours of the wires in the mains lead of this appliance may not correspond with the coloured markings identifying the terminals in a rewireable plug. **Rewireable plugs should only be replaced by a suitably competent person. If in doubt, consult a qualified electrician.**



The BLUE wire must be connected to the terminal marked with the letter N

The BROWN wire must be connected to the terminal marked with the letter L

The GREEN & YELLOW wire must be connecting to the terminal marked with the letter E or the earth symbol .

Produced in China.

Argos Limited, 489-499 Avebury Boulevard,  
Milton Keynes, MK9 2NW.

Argos (N.I.) Ltd, Forestside Shopping Centre,  
Upper Galwally, Belfast, United Kingdom, BT8  
6FX.

Argos Distributors (Ireland) Limited, Unit 7,  
Ashbourne Retail Park, Ballybin Road,  
Ashbourne, County Meath, Ireland

[www.argos.co.uk/cookworks](http://www.argos.co.uk/cookworks)

Tel: 0345 640 3030





## PRODUCT GUARANTEE

This product is guaranteed against manufacturing defects for a period of



Year

This product is guaranteed for twelve months from the date of original purchase.

Any defect that arises due to faulty materials or workmanship will either be replaced, refunded or repaired free of charge where possible during this period by the dealer from whom you purchased the unit.

The guarantee is subject to the following provisions:

- The guarantee does not cover accidental damage, misuse, cabinet parts, knobs or consumable items.
- The product must be correctly installed and operated in accordance with the instructions contained in this manual. A replacement copy of this instruction manual can be obtained from [www.argos-support.co.uk](http://www.argos-support.co.uk)
- It must be used solely for domestic purpose.
- The guarantee will be rendered invalid if the product is re-sold or has been damaged by inexpert repair.
- Specifications are subject to change without notice.
- The manufacturer disclaims any liability for the incidental or consequential damages.
- The guarantee is in addition to, and does not diminish your statutory or legal rights.

Guarantor: Argos Ltd  
489 - 499 Avebury Boulevard  
Central Milton Keynes  
MK9 2NW  
[www.argos-support.co.uk](http://www.argos-support.co.uk)