

**Serie | 4, built-in oven, 60 x 60 cm,
Black
HBS534BB0B**



A



The built-in oven with 3D hot air: achieve perfect baking and roasting results on up to three levels simultaneously.

- **3D Hotair:** even heat distribution for perfect results on up to three levels.
- **Red LED display control:** easy-to-use thanks to clear time display.
- **Pop-out controls:** Make the front of the oven easy to clean and give it a sleek look.
- **EcoClean Direct:** less cleaning effort thanks to a special coating of the rear wall that automatically absorbs grime.
- **Cleaning Assistance:** less cleaning effort thanks to the new cleaning option, which can be especially used for cleaning of light soiling.

Technical Data

Gross weight : 35.6 kg
 Color / Material Front : Black
 Built-in / Free-standing : Built-in
 Integrated Cleaning system : Catalytic partial, Hydrolytic
 Required niche size for installation (HxWxD) : 585-595 x 560-568 x 550 mm
 Dimensions : 595 x 594 x 548 mm
 Dimensions of the packed product (HxWxD) : 675 x 690 x 660 mm
 Control Panel Material : Glass
 Door Material : Glass
 Net weight : 33.4 kg
 Usable volume (of cavity) - cavity 1 : 71 l
 Cooking method : Bottom heat, Conventional heat, Full width grill, Hot Air, Hotair gentle, Hot air grilling, Pizza setting
 First cavity material : Other
 Number of interior lights : 1
 Approval certificates : CE, VDE
 Length electrical supply cord : 120 cm
 Interior Lights - cavity 1 : 1
 : Accessory
 Clock function : Alarm, Off, On
 Included accessories : 2 x combination grid, 1 x universal pan, 2 x Universal pan, slim size
 Broil Element Wattages cavity 1 : 2700 W
 Convection Element Wattages cavity 1 : 1600 W
 Energy efficiency rating : A
 Energy consumption per cycle conventional (2010/30/EC) : 0.97 kWh/cycle
 Energy consumption per cycle forced air convection (2010/30/EC) : 0.81 kWh/cycle
 Energy efficiency index (2010/30/EC) : 95.3 %
 Connection Rating : 2990 W
 Fuse protection : 13 A
 Voltage : 220-240 V
 Frequency : 60; 50 Hz
 Plug type : no plug
 Color / Material Front : Black
 Alternative colors available : HBS534BS0B, HBS534BW0B
 Energy input : Electric
 Approval certificates : CE, VDE
 Required cutout/niche size for installation (in) : x x
 Dimensions of the packed product : 26.57 x 25.98 x 27.16
 Net weight : 74.000 lbs
 Gross weight : 79.000 lbs
 Length electrical supply cord : 120 cm
 Net weight : 33.4 kg

Included accessories

2 x combination grid
 1 x universal pan
 2 x Universal pan
 slim size

Optional accessories

HEZ317000 , HEZ327000 , HEZ333001 , HEZ530000 Half tray,
 HEZ531000 Baking tray, grey enamelled, HEZ531010 Baking tray, non-stick ceramic coated, HEZ532000 , HEZ532010 , HEZ533000 , HEZ538000 1fold telescopic rail, level independent, HEZ538200 , HEZ538S00 , HEZ625071 Grill tray, anthracite enamelled, HEZ633001 , HEZ633070 , HEZ634000 Baking and roasting grid (standard), HEZ636000 Glass pan, HEZ638200 , HEZ638300 3 level telescopic rails, full ext, HEZ660050 Cover Strip, HEZ915003 Glass roasting dish, 5,4 L

Serie | 4, built-in oven, 60 x 60 cm, Black HBS534BB0B

The built-in oven with 3D hot air: achieve perfect baking and roasting results on up to three levels simultaneously.

Design

- LED-Display Control (Red)
- Interior halogen light
- Rotary dial, Retractable control dials, round
- Straight bar handle

Features

- Control panel lock
- Electronic clock timer
- 5 shelf positions
- Heating-up indicator
Automatic start
- Integral cooling fan

Cleaning

- EcoCleanDirect : back panel

Programmes/functions

- Oven with 7 PC heating methods: 3D Hotair, conventional top and bottom heat, Hotair grilling, full width variable grill, pizza function, bottom heat, Hotair gentle
- Fast pre-heating function

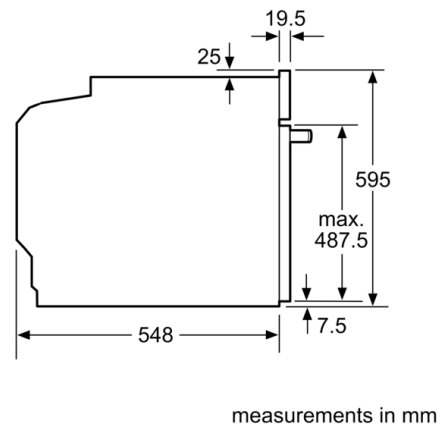
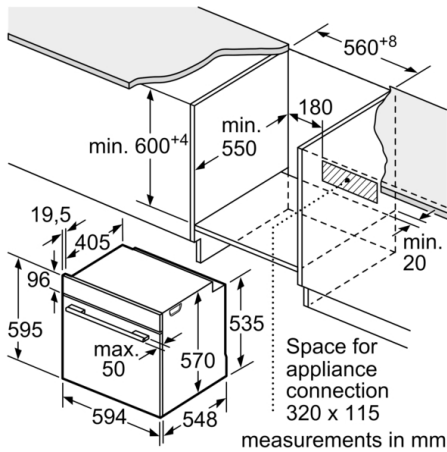
Accessories

- 1 x universal pan, 2 x combination grid, 2 x Universal pan, slim size

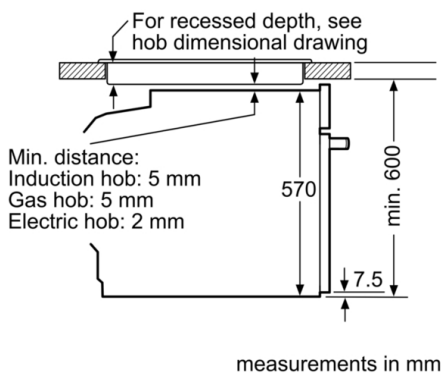
Performance/technical information

- Energy efficiency rating (acc. EU Nr. 65/2014): A
Energy consumption per cycle in conventional mode:0.97 kWh
Energy consumption per cycle in fan-forced convection mode:0.81 kWh
Number of cavities: Main cavity Heat source: electrical Cavity volume:71 litre capacity
- Temperature range 50 °C - 275 °C
- 120 cm Cable length
- Total connected load electric: 2.99 KW
- Nominal voltage: 220 - 240 V
- Appliance dimension (hxwxd): 595 mm x 594 mm x 548 mm
- Niche dimension (hxwxd): 585 mm - 595 mm x 560 mm - 568 mm x 550 mm
- Please refer to the dimensions provided in the installation manual

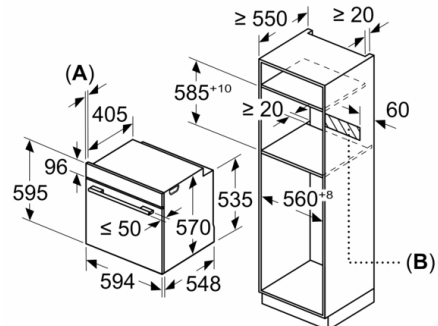
**Serie | 4, built-in oven, 60 x 60 cm, Black
HBS534BB0B**



Installation with a hob.



Measurements in mm



A: 19.5 mm
B: Space for appliance connection 320 x 115 mm