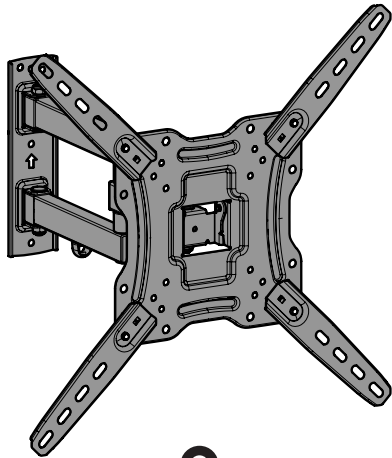


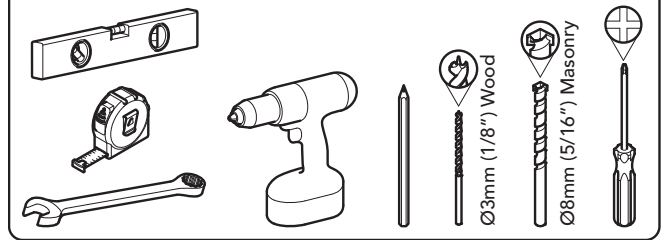
**471035 rev00**

**Please read these instructions thoroughly before installation.**

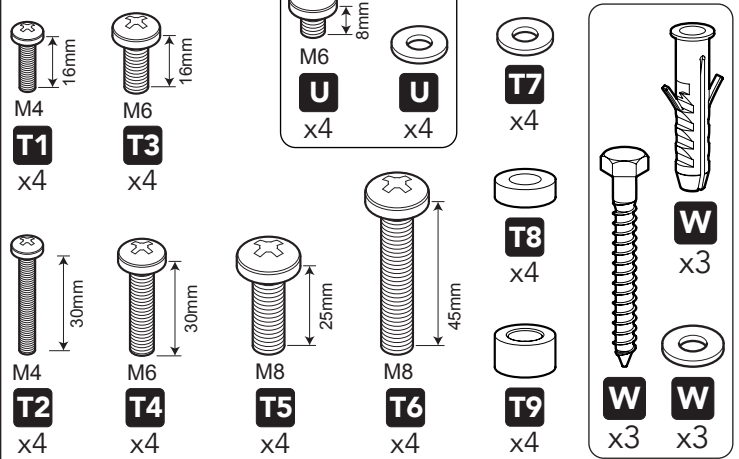


Retain all packaging in case the product needs to be returned. Contents may vary from photography / illustrations. You will not need all these parts, so expect there to be some left over depending upon the specification of your TV. This product is intended for indoor use only. Use of this product outdoors could lead to failure and personal injury. It is the responsibility of the installer to ensure that the mounting wall is of a suitable standard and void of any services (eg gas, electricity, water etc). AVF accept no responsibility for any damage or loss caused by installing this product in a substandard wall. Periodically check all the nuts and bolts are tight.

**You will need**



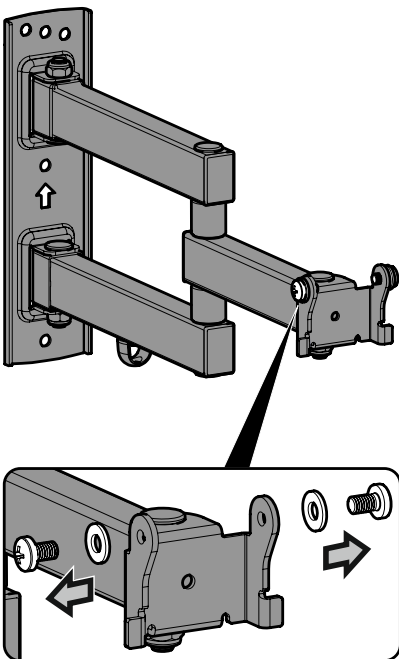
**Fixings Included:**



**Please don't return me to the store**  
 If you are unsure or need advice please contact our support team:  
**0333 320 0463** or **avfgroup.com**  
 Phone lines open Mon-Fri during AVF office hours

AVF Group Ltd. Hortonwood 30, Telford, Shropshire, TF1 7YE, England

**1 Prepare the Wall Bracket**



Remove the Screws and Washers and safely keep for step 4.

**2 Fitting the TV Mounting Plate**

**x4** Fit VESA Extension Arms if required.

Top ↑

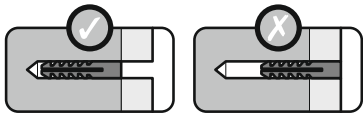
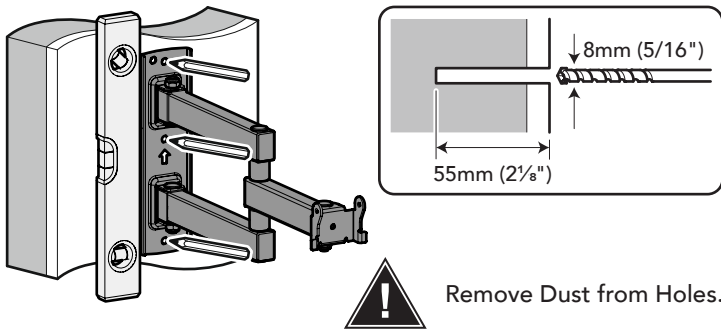
Use the screw that fits the holes on the back of your TV.

Use the T7 washer if using screws T1 to T4.

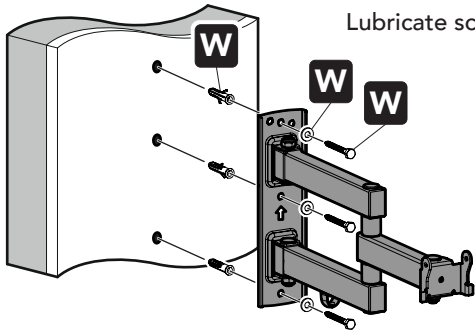
You only need to use spacers T8 or T9 if the screws are too long or the back of your TV is not flat.

### 3 Fitting the Wall Bracket

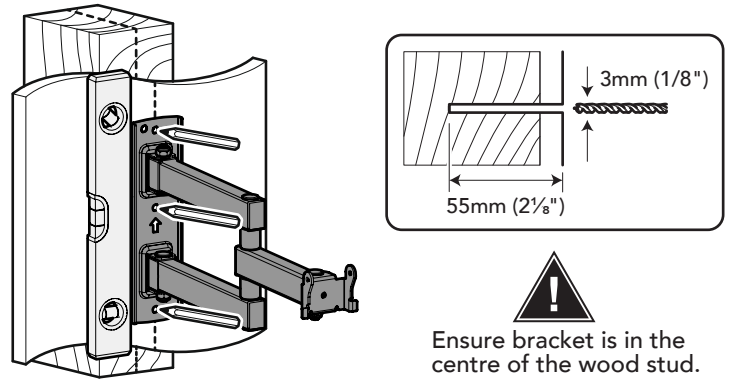
#### Solid Wall



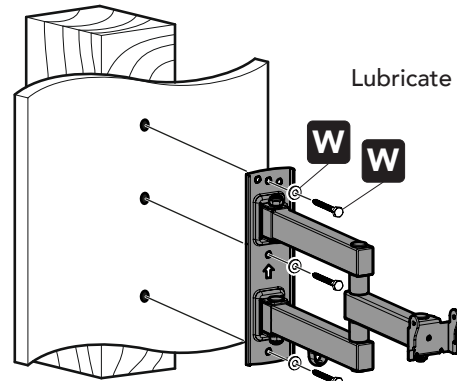
Lubricate screw thread with soap.



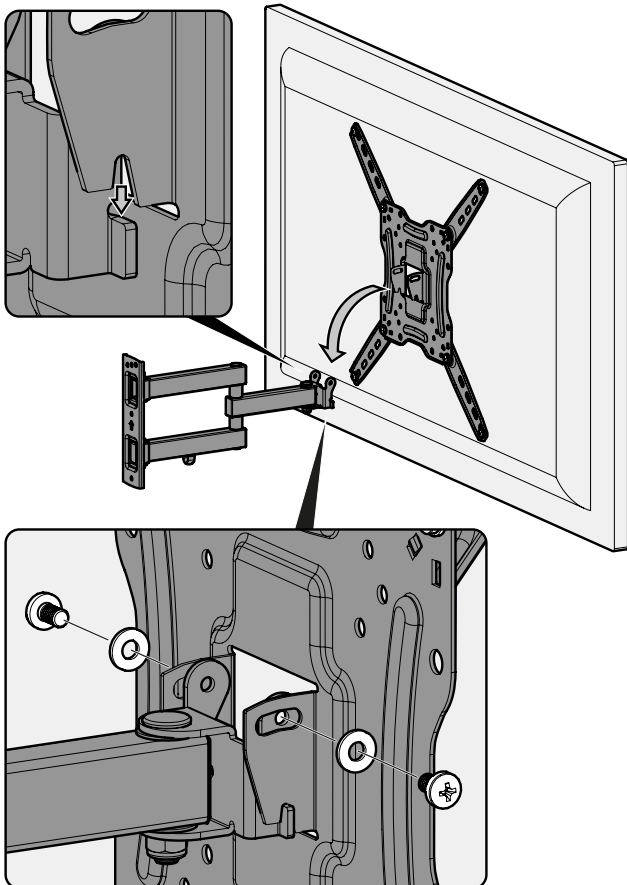
#### Wood Stud



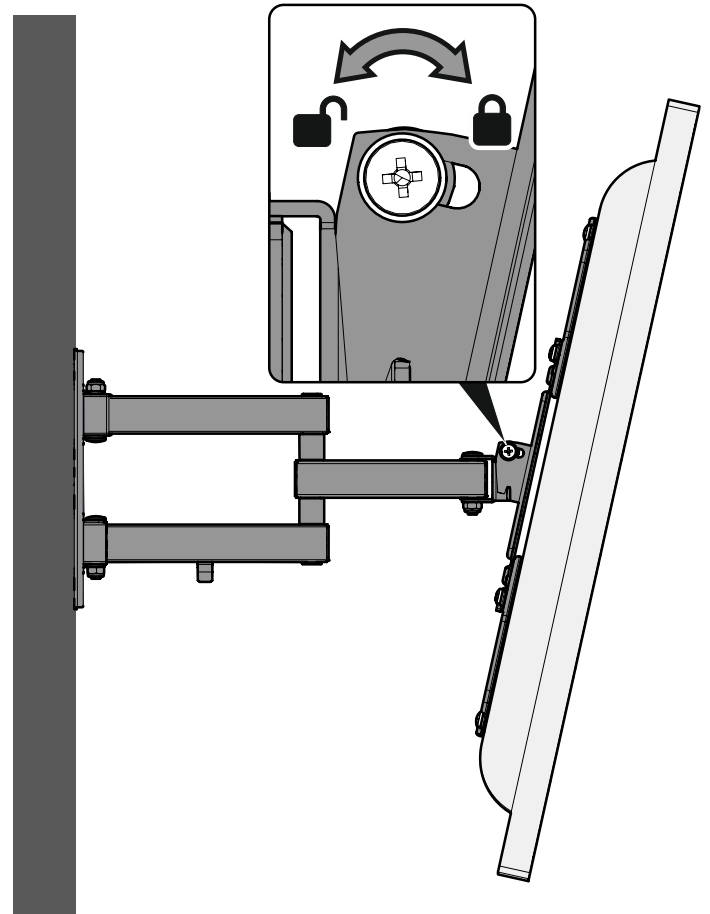
Lubricate screw thread with soap.



### 4 Hanging the TV



### 5 Tilt Adjustment



Reuse screws and washers saved in step 1.