



MANUAL
LABEL



INSTRUCTION MANUAL

CONTENTS

Instructions for safe use.....	P2
1. Getting to know your cleaner.....	P3
2. Preparing your cleaner.....	P4
3. Using your cleaner	
3.1 Upright mode.....	P5
3.2 Accessories mode.....	P6
4. Cleaner maintenance	
4.1 Dust bin & filters.....	P7
4.2 Brushbar.....	P8
4.3 Clearing a blockage.....	P8
4.4 Belt change.....	P9
5. Wiper blade.....	P9
6. Troubleshooting.....	P10
7. Important information.....	P10

INSTRUCTIONS FOR SAFE USE

This appliance should only be used for domestic cleaning, as described in this user guide. Please ensure that this guide is fully understood before operating the appliance.

Do not leave the appliance plugged in. Always switch off and remove the plug from the socket after use, or before cleaning the appliance or any maintenance task.

This appliance can be used by children aged from 8 years and above and persons with reduced physical, sensory or mental capabilities or lack of experience and knowledge if they have been given supervision or instruction concerning use of the appliance in a safe way and understand the hazards involved. Children shall not play with the appliance. Cleaning and user maintenance shall not be made by children without supervision.

If the power cord is damaged stop using the appliance immediately. To avoid a safety hazard, an authorised Hoover service engineer must replace the power cord.

Keep hands, feet, loose clothing and hair away from rotating brushes.

Use only attachments, consumables or spares recommended or supplied by Hoover.

When using cleaning tools ensure that the appliance is kept in the upright (parked) position. This will avoid possible damage to the carpet or floor covering. When cleaning stairs, do not position the appliance above you.

Static electricity: some carpets can cause a small build up of static electricity. Any static discharge is not hazardous to health.

Do not use your appliance out of doors or on any wet surface or for wet pick up.

Do not pick up hard or sharp objects, matches, hot ashes, cigarette ends or other similar items.

Do not spray with or pick up flammable liquids, cleaning fluids, aerosols or their vapours.

Do not run over the power cord when using your appliance or remove the plug by pulling on the power cord.

Do not continue to use your appliance if it appears faulty.

Hoover service: To ensure the continued safe and efficient operation of this appliance we recommend that any servicing or repairs are only carried out by an authorised Hoover service engineer.

Do not stand on or wrap the cord around arms or legs when using your appliance.

Do not use the appliance to clean animals or people.

When using the cleaning tools, ensure to always steady the appliance with your other hand. This will ensure that the appliance does not fall while in use.

This product contains magnetic material. Please contact your doctor if you have any questions on whether this might affect your implanted medical device.



WARNING: A thermal cut out switches off the appliance to prevent overheating if it is used when full or there is a blockage or dirty filters. If this should happen then switch off, unplug and correct the fault. It will take approximately 45 minutes for the cut out to automatically reset.

The Environment

The symbol on this appliance indicates that this appliance may not be treated as household waste. Instead it must be handed over to the applicable collection point for the recycling of electrical and electronic equipment. Disposal must be carried out in accordance with local environmental regulations for waste disposal. For more detailed information about treatment, recovery and recycling of this appliance, please contact your local city office, your household and waste disposal service or the shop where you purchased the appliance.



This appliance complies with the European Directives 2014/35/EU, 2014/30/EU and 2011/65/EU.

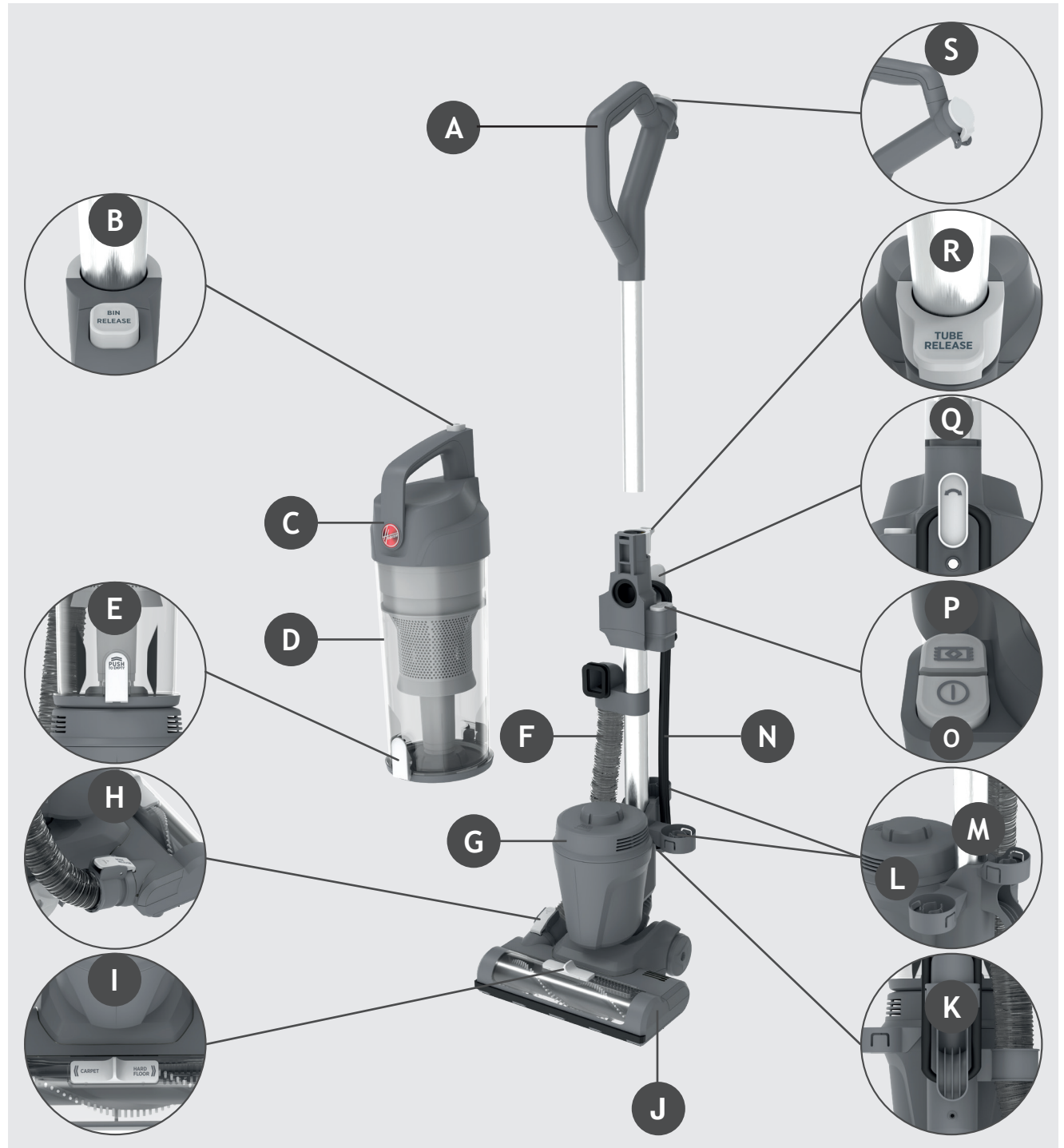
CANDY HOOVER GROUP S.r.l. Via Privata Eden Fumagalli, 20861 Brugherio (MB) Italy

1. GETTING TO KNOW YOUR CLEANER

Thank you for purchasing your H-UPRIGHT300 Hoover upright vacuum cleaner.

MAIN COMPONENTS:

- A. Handle & tube
- B. Dust bin release button
- C. Dust bin top
- D. Dust bin
- E. Dust bin empty button
- F. Active hose
- G. Exhaust filter cover
- H. Active hose release button
- I. Suction regulator
- J. Floor Nozzle
- K. Cord storage hook lower
- L. Left accessory holder
- M. Rear accessory holder
- N. Power cord
- O. On/off button
- P. Brushbar on/off button
- Q. Cord storage hook upper
- R. Tube release button
- S. Handle end cap

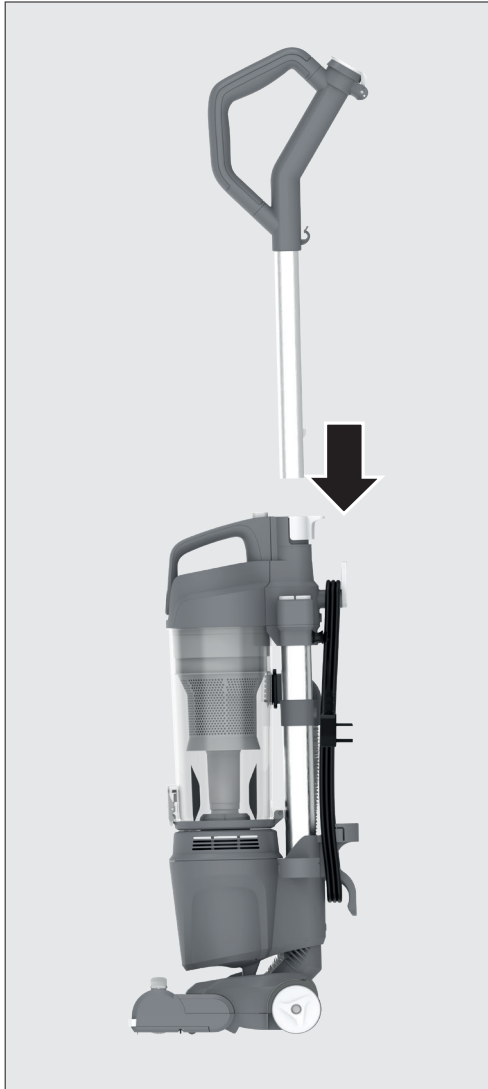


2. PREPARING YOUR CLEANER

IMPORTANT: Accessories included are dependant on your model. Full specification details are included on your product packaging.

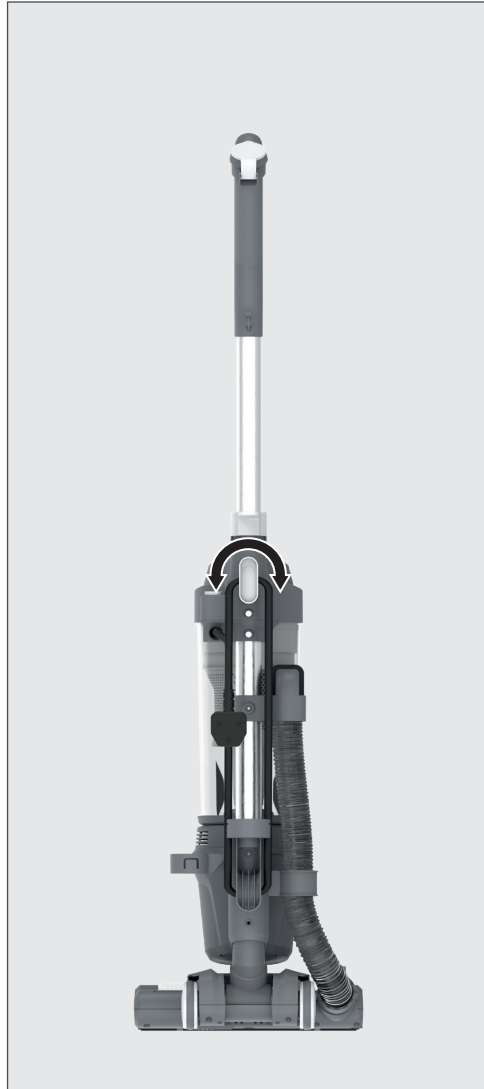
STEP 1:

Fit the handle & tube assembly into the main product.



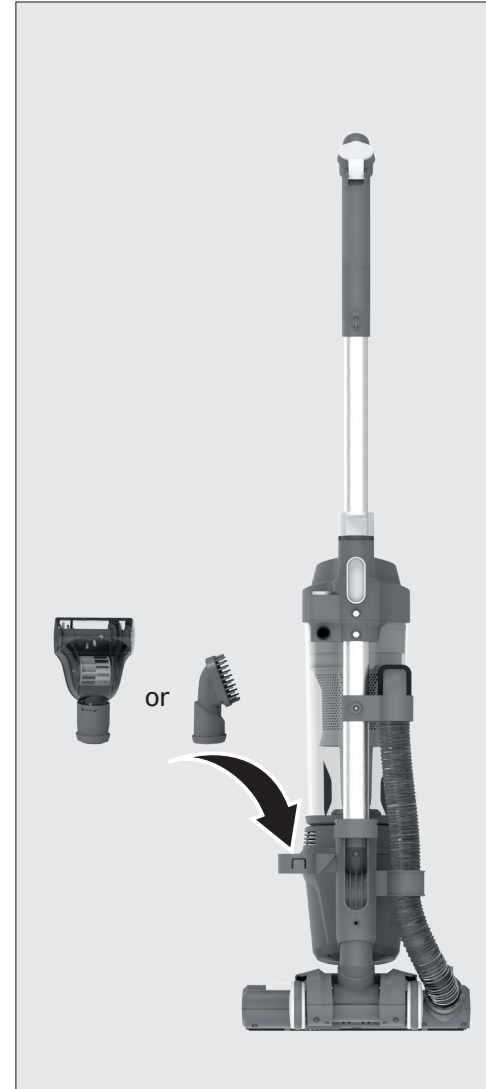
STEP 2:

Release the power cord from the cord storage hook upper.



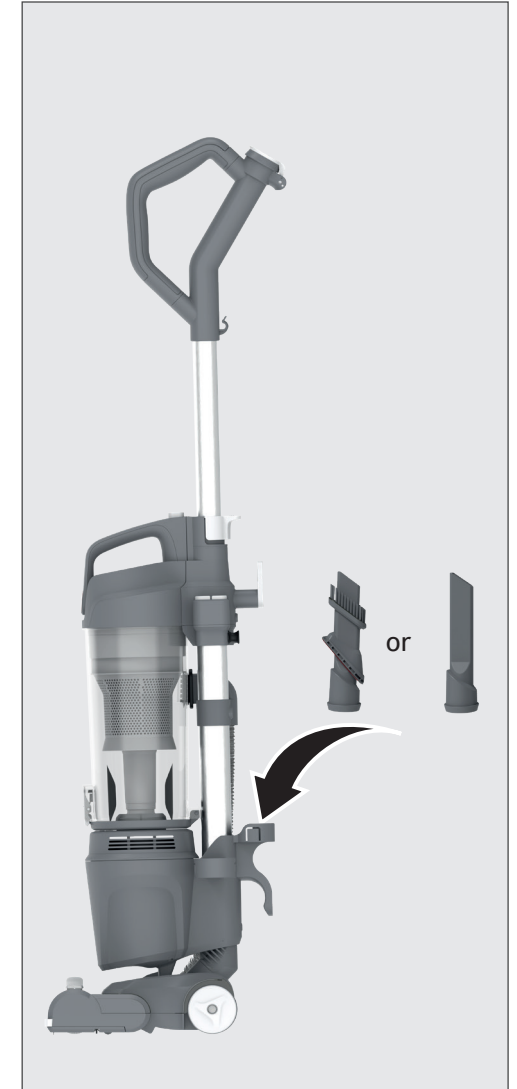
STEP 3:

Fit the mini turbo nozzle or dusting brush to the left accessory holder dependant on your model.



STEP 4:

Fit the 3-in-1 tool or short crevice tool to the rear accessory holder dependant on your model.

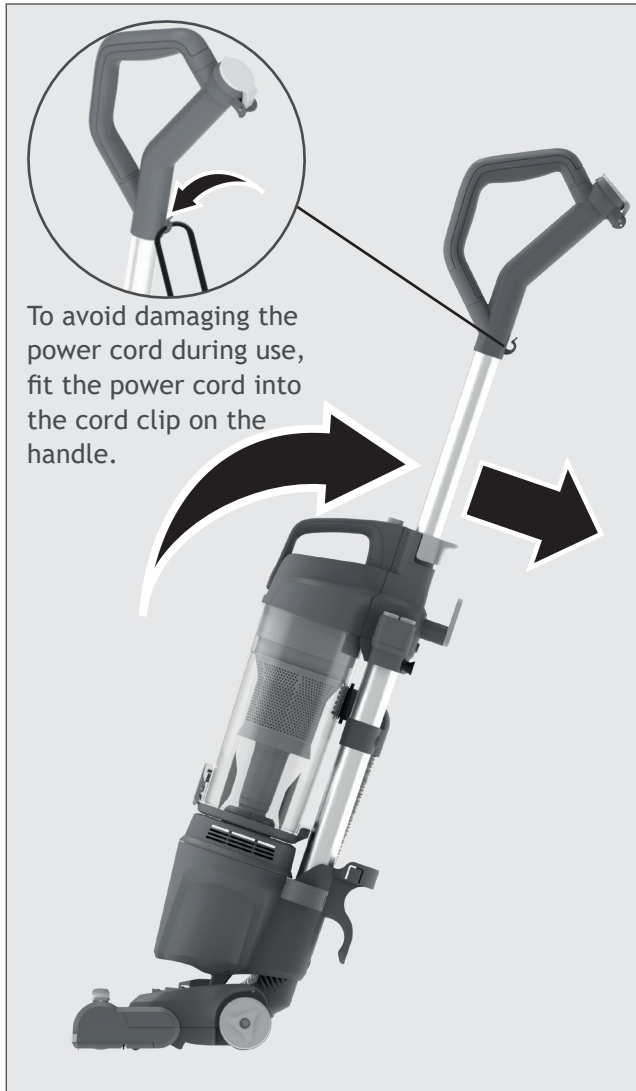


3. USING YOUR CLEANER

3.1 UPRIGHT MODE

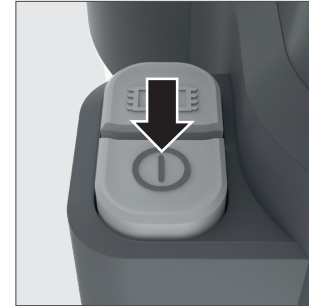
STEP 1:

Plug the power cord into the socket.
Place your foot onto the nozzle and pull the handle backwards to your desired operating level.



STEP 2:

Press the **ON/OFF** button to operate your cleaner.



STEP 3:

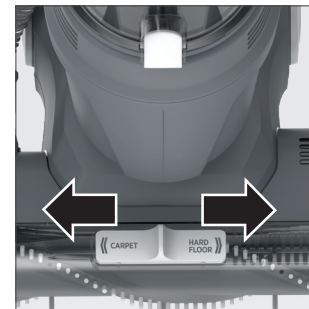
Press the **BRUSHBAR ON/OFF** button to activate the brush bar.

Brushbar ON is recommended for carpets.
Brushbar OFF is recommended for hard floors and deep pile rugs.



STEP 4:

Adjust the suction by moving the **SUCTION REGULATOR** left or right.
CARPET SETTING: Minimum suction level for long pile carpets or rugs.
HARD FLOOR SETTING: maximum suction level for hard floors or short pile carpets.
It can also be used to reduce the operating push force



STEP 5:

Turn your cleaner off by pressing the **ON/OFF** button. Remove the plug from the power socket and wind the power cable around the the cord storage hook upper and lower.

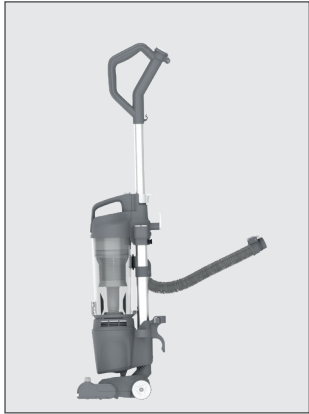


3. USING YOUR CLEANER

3.2 ACCESSORIES MODE

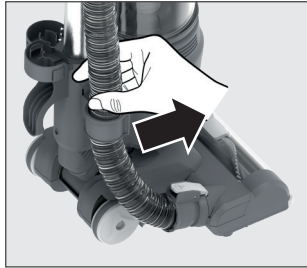
IMPORTANT: Accessories included are dependant on your model. Full specification details for your product are included on your product packaging.

To use your accessories, firstly release the active hose from the nozzle.



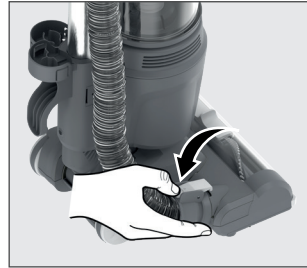
STEP 1:

Remove the active hose from the hose retaining clip.



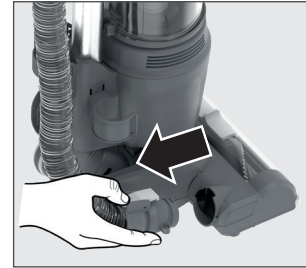
STEP 2:

Press and hold the active hose release button.



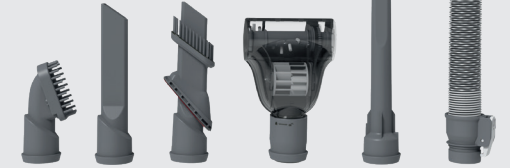
STEP 3:

Remove the active hose by pulling from the nozzle.



Accessories:

1. Dusting brush
2. Short crevice tool
3. 3-in-1 Tool
4. Mini turbo nozzle
5. Long crevice tool
6. Accessory hose

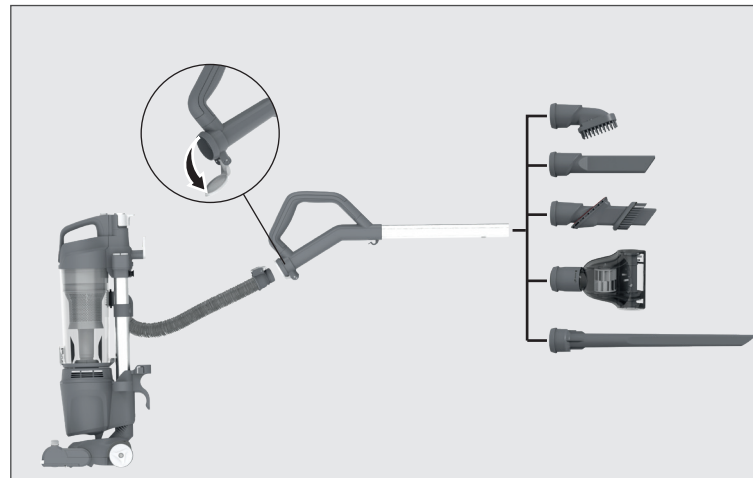
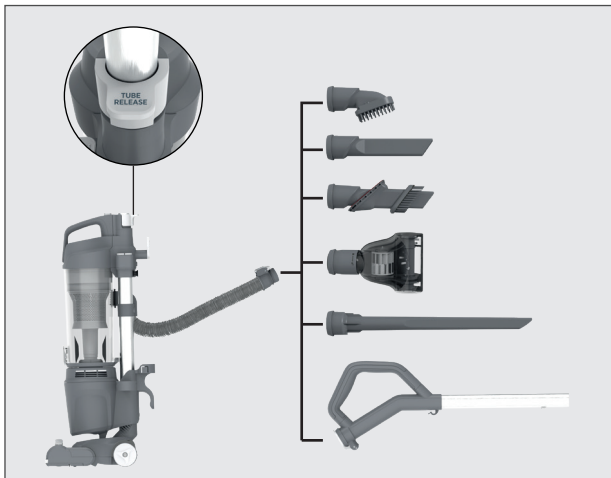


IMPORTANT: When using cleaning tools, the cleaner must be kept in the upright position. When cleaning stairs, hold or support the cleaner in a safe position whilst using the hose or handle & tube.

All accessories including the handle & tube will fit directly onto the active hose end for above floor cleaning using the latch fit mechanism. To remove the handle & tube, press the tube release button and pull upwards from the product.

Open the handle end cap and fit directly onto the end of the active hose using the latch fit mechanism. All other accessories will fit to the end of the tube.

If your product is supplied with the accessory hose, this can be added directly to the active hose to create additional reach. All other accessories will fit to the end of the hose.



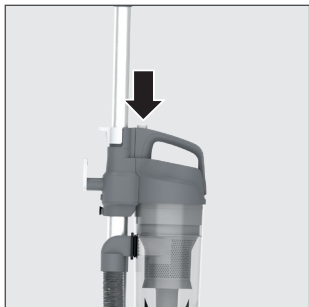
4. CLEANER MAINTENANCE

4.1 DUST BIN & FILTERS

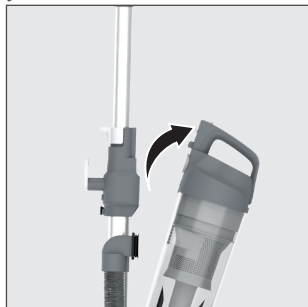
IMPORTANT: Before performing any maintenance task, always ensure your product is switched off and unplugged from the electricity supply.

EMPTYING THE DUST BIN

STEP 1: Press and hold the dust bin release button.



STEP 2: Remove the dust bin assembly from your cleaner.



STEP 3: Press the dust bin empty button over a rubbish bin to empty.



CLEANING THE PRE-MOTOR FILTER

STEP 1: Rotate the dust bin top anti-clockwise and remove from the dust bin.



STEP 2: Remove the pre-motor filter from the separation unit.



STEP 3: Remove the separation unit from the dust bin.



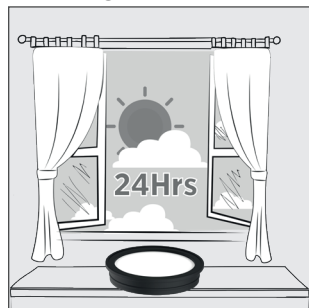
STEP 4: Remove any excess debris from the separation unit and filter.



STEP 5: Clean the filter using lukewarm water.



STEP 6: Leave the filter to dry for 24Hrs before re-fitting.

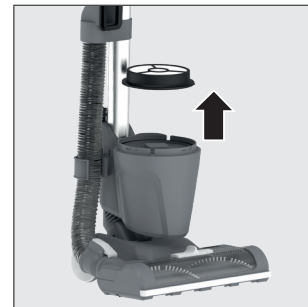


CLEANING THE EXHAUST FILTER

STEP 1: Rotate the exhaust filter cover anti-clockwise and remove from the cleaner.



STEP 2: Remove the exhaust filter from your cleaner.



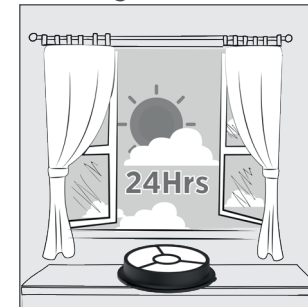
STEP 3: Remove any excess debris from the filter.



STEP 4: Clean the filter using lukewarm water.



STEP 5: Leave the filter to dry for 24Hrs before re-fitting.



IMPORTANT: To maintain optimum performance is recommended to empty the bin when full, clear any blockages and to wash filters on a regular basis or at least once a month.

IMPORTANT: Do not refit the filters until they are completely dry.

To refit the filters and dust bin to your cleaner, follow the above instructions in reverse.

4. CLEANER MAINTENANCE

4.2 BRUSHBAR

IMPORTANT: Before performing any maintenance task, always ensure your product is switched off and unplugged from the electricity supply.

If your cleaner is not picking up efficiently, the brushbar may need cleaned.

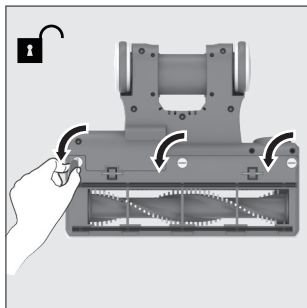
STEP 1:

Turn the cleaner over to access the nozzle.



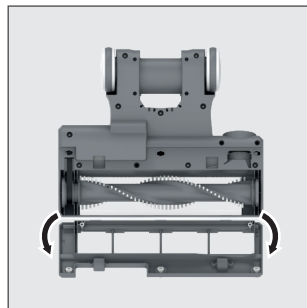
STEP 2:

Using a coin or screwdriver, rotate 3 x locking clips 90° to unlock the brush guard.



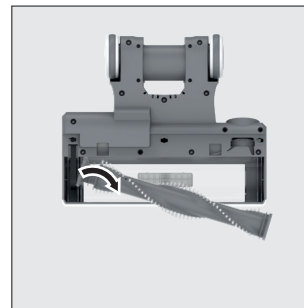
STEP 3:

Remove the brushbar guard.



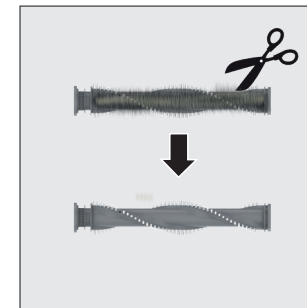
STEP 4:

Remove the brushbar from nozzle by unhooking from the belt.



STEP 5:

Remove any debris from the brushbar with scissors.



To refit the brushbar to your cleaner, follow the above instructions in reverse.

4. CLEANER MAINTENANCE

4.3 CLEARING A BLOCKAGE

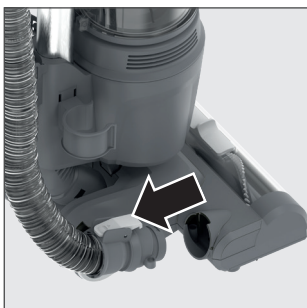
FLOOR NOZZLE:

Turn the cleaner over and rotate the brushbar to visually identify any obstructions and remove.



ACTIVE HOSE:

Release the active hose from the nozzle, extend the hose fully and shake vigorously to release any obstruction.



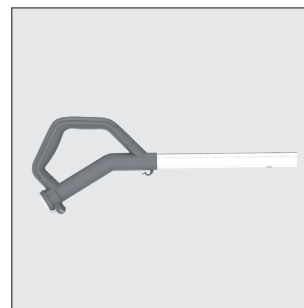
ACCESSORIES:

Visually check all accessories for any obstructions and remove.



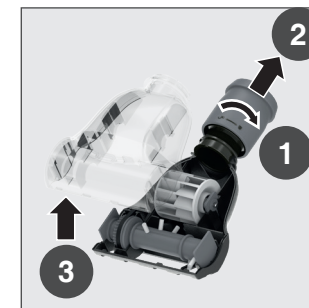
HANDLE & TUBE:

Visually check both ends of the handle for any obstructions and remove.



MINI TURBO NOZZLE:

Open the nozzle cover, visually check for any obstructions and remove.



4. CLEANER MAINTENANCE

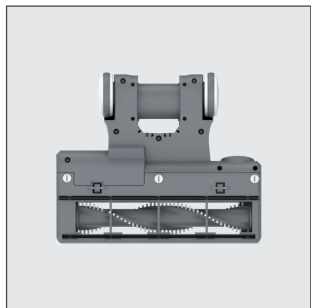
4.4 BELT CHANGE

IMPORTANT: Before performing any maintenance task, always ensure your product is switched off and unplugged from the electricity supply.

If your cleaner is still not picking up efficiently after cleaning the filters, brush bar & clearing blockages, the belt may be worn and need replacing. Please ensure to carry out filter cleaning and check for blockages first.

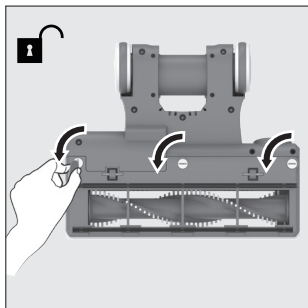
STEP 1:

Turn the cleaner over to access the nozzle.



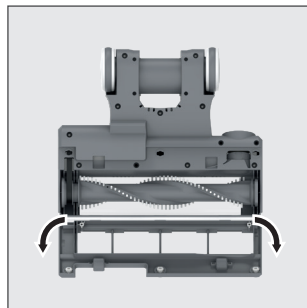
STEP 2:

Using a coin or screwdriver, rotate 3 x locking clips 90° to unlock the brush guard.



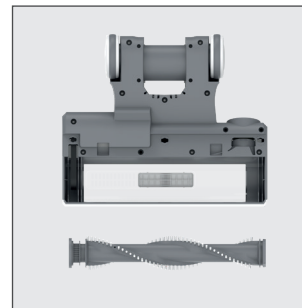
STEP 3:

Remove the brushbar guard.



STEP 4:

Remove the brushbar from the nozzle.



STEP 5:

Remove the belt, check if worn and replace if required.



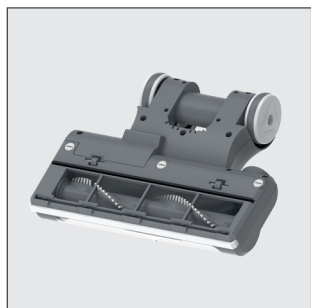
To refit the belt and brushbar to your cleaner, follow the above instructions in reverse.

5. WIPER BLADE - OPTIONAL

The front wiper blade supplied in the instruction manual package is not necessary for normal cleaning. Fitting the wiper blade will improve the energy efficiency of the product, but will make the product more difficult to push and manoeuvre.

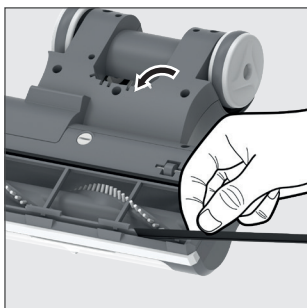
STEP 1:

Turn the cleaner over to access the nozzle.



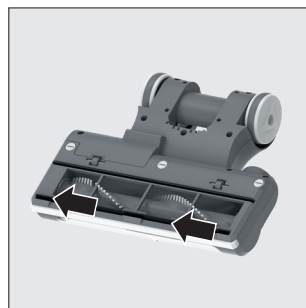
STEP 2:

Grip the wiper blade and locate into the slot on the floor nozzle.



STEP 3:

Slide the wiper blade into the slot until fully located.



6. TROUBLESHOOTING

The following is a list of commonly encountered problems and solutions.

Fault	Solutions
Is there a working electricity supply to the cleaner?	<i>Check the power supply with another appliance.</i>
Cleaner is not picking up debris?	<i>Empty the dust bin and clean the filters. (see page 7)</i>
	<i>Check your brushbar for excessive debris and blockages (see page 8)</i>
	<i>Check your nozzle, active hose and accessories for blockages (see page 8)</i>
Brushbar is not turning?	<i>Check your brushbar for excessive debris and blockages (see page 8)</i>
	<i>Check if your belt needs replaced. (see page 9)</i>
Cleaner cuts out?	<i>Your cleaner is fitted with a thermal cut out to prevent overheating by automatically turning your cleaner off. Once activated, as a safety precaution, your cleaner cannot be turned on again for 45 mins. If your cleaner does cut out, perform all maintenance tasks contained in the manual before resuming. (see pages 7,8,9)</i>

If there is any doubt call the Hoover Service Office for advice. They may be able to assist you over the telephone. A service charge will be made if the cleaner is examined and found to be in working order, has not been assembled in accordance with these instructions or has been used incorrectly.

7. IMPORTANT INFORMATION

Hoover Spares and Consumables

Always replace parts with genuine Hoover spares. These are available from your local Hoover dealer or direct from Hoover. When ordering parts always quote your model number.

Quality

Hoover's factories have been independently assessed for quality. Our products are made using a quality system which meets the requirements of ISO 9001.

Your Guarantee

The guarantee conditions for this appliance are as defined by our representative in the country in which it is sold. Details regarding these conditions can be obtained from the dealer from whom the appliance was purchased. The bill of sale or receipt must be produced when making any claim under the terms of this guarantee.

Subject to change without notice.



®