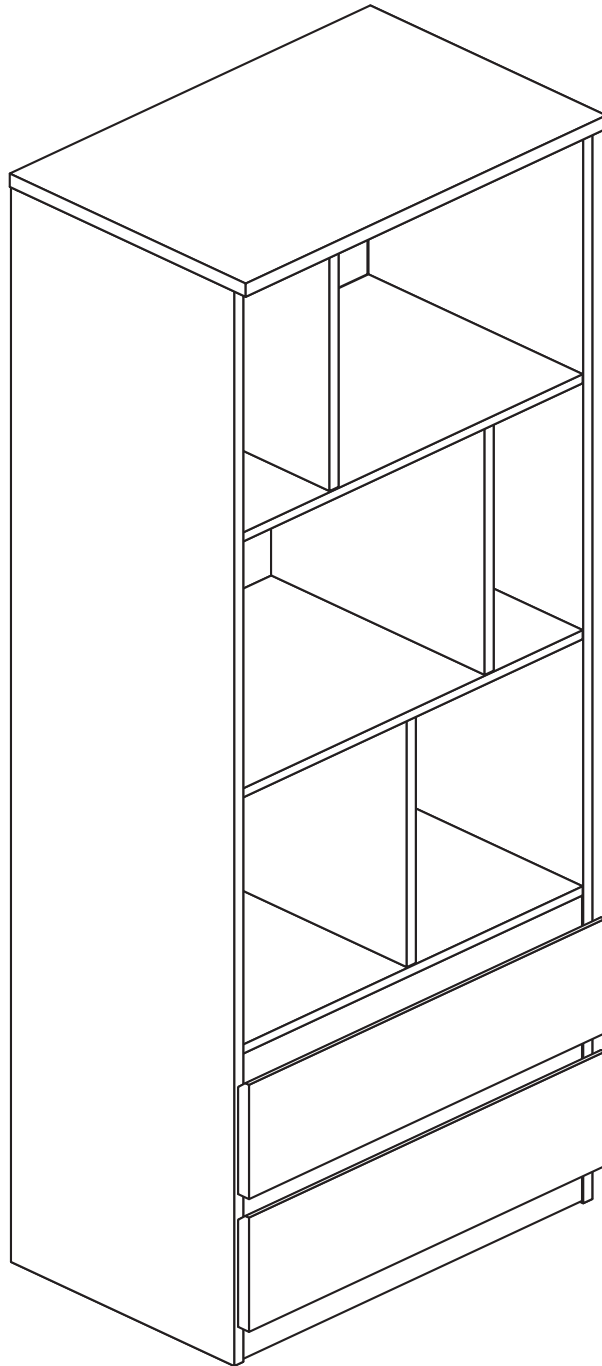


# JENSON

## Gloss

935/7709 914/8664



### Spare Parts

**Visit:** [www.argos-support.co.uk](http://www.argos-support.co.uk)

**Email:** [Help@ClickSpares.co.uk](mailto:Help@ClickSpares.co.uk)

**Call:** 0330 016 1114

### Customer Support

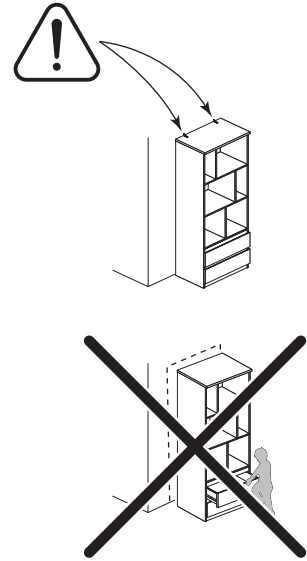
**Call:** 0345 640 2020

# Safety

Important - Please read these instructions fully before starting assembly

- Warning: This unit weighs approximately 40 kgs. Please lift with care.
- Assembly to be carried out by a competent adult only.
- During assembly children should be kept away from the product due to possible risk of injury.
- Installation shall only be carried out exactly according to the manufacturer's instructions - otherwise a safety risk can occur if incorrectly installed.
- Do not use this item if any components are missing or damaged.
- Regularly check all fastenings to ensure they are properly tightened.

- **WARNING:** To prevent possible overbalancing this unit must be secured to a wall using the 2 overbalance protector kits supplied.
- A unit that is allowed to topple can cause serious or fatal injury. In addition to wall fixing the unit, place heavy items on the lower shelves, do not put any heavy objects on top of the unit and never allow children to climb or hang on drawers, doors or shelves.



- Refer to guide after section 31 for wall fixing information.

## Care Advice

- Check you have all the components and tools listed on relevant pages.
- Remove all fittings from the specified plastic bag and separate them into their groups.
- Parts of the assembly will be easier with 2 people.
- Make sure you have enough space to layout the parts before starting.
- Do not stand or put weight on the product, this could cause damage.

- Assemble the item as close to its final position (in the same room) as possible.
- Assemble on a soft level surface to avoid damaging the unit or your floor (use opened out unit carton).



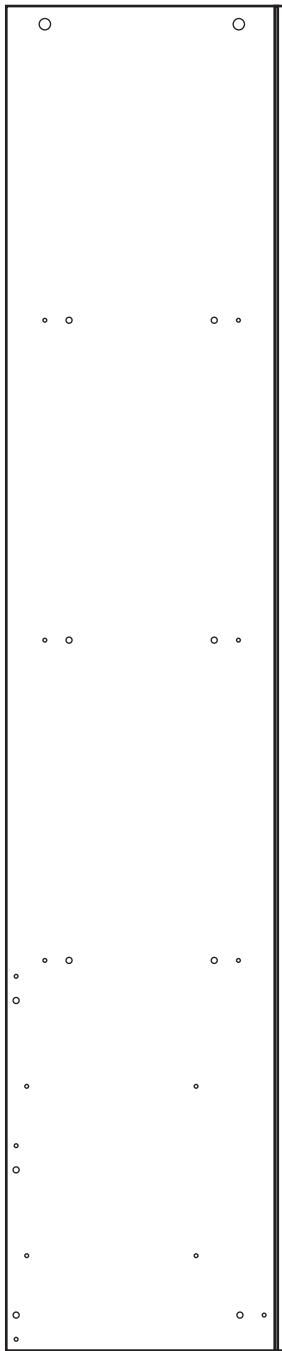
- Assembly videos are available throughout these instructions by scanning in the QR codes.



- We do not recommend the use of power drill/drivers for inserting screws, as this could damage the unit. Only use hand screwdrivers.
- Dispose of all packaging carefully and responsibly.
- Only clean with a damp cloth.

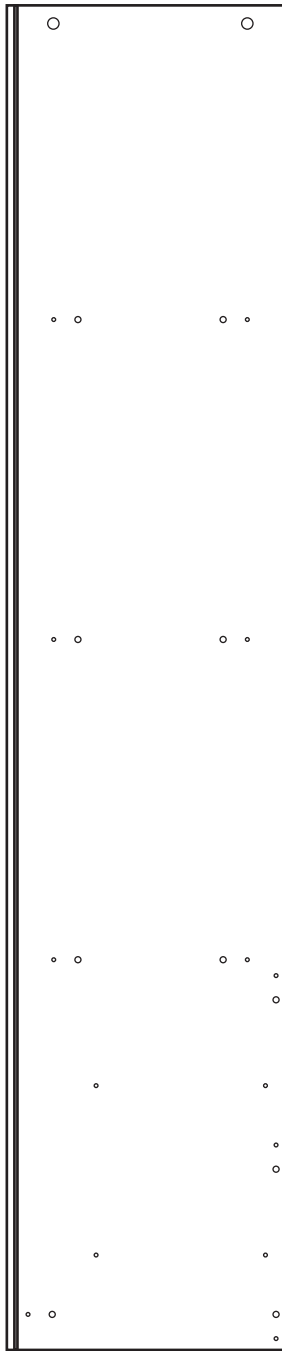
# Cabinet Panels

DO NOT REMOVE any protective film until after assembly



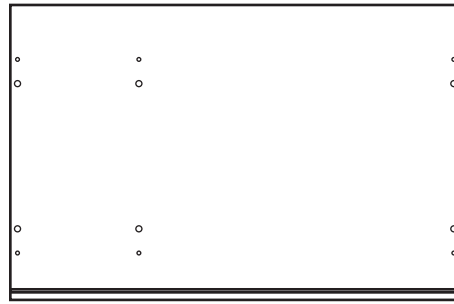
DF-00022142

**1** 177.8 x 36.9 cm



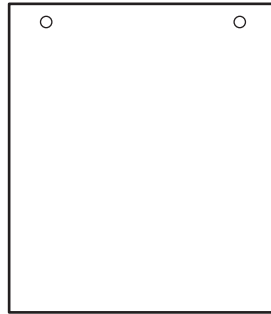
DF-00022153

**2** 177.8 x 36.9 cm



DF-00022144

**3** 59.6 x 39 cm



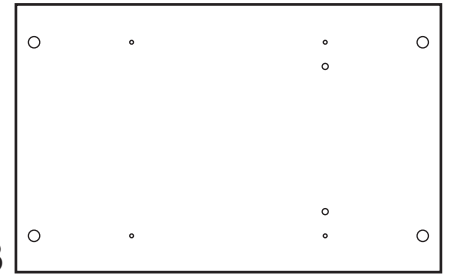
DF-00022146

**4** 40.8 x 35.3 cm **x3**



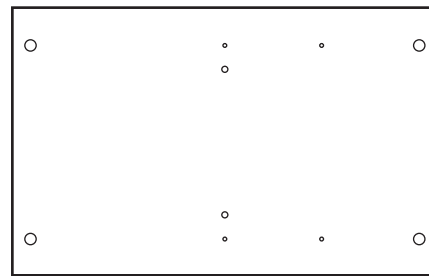
DF-00022150

**5** 56.2 x 6 cm **x4**



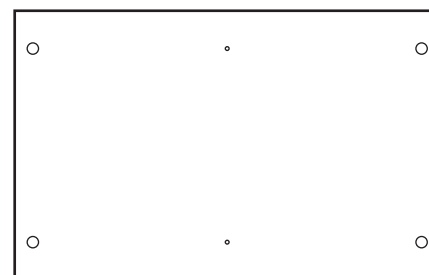
DF-00022154

**6** 56.2 x 35.4 cm



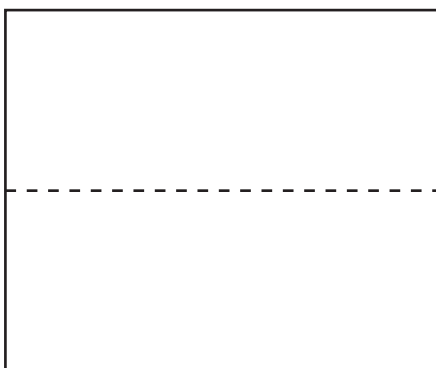
DF-00022147

**7** 56.2 x 35.4 cm



DF-00022145

**8** 56.2 x 35.4 cm



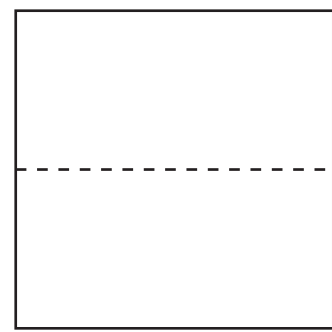
DF-00022149

**9** 57.2 x 47.8 cm



DF-00023214

**10** 42.1 x 29.2 cm



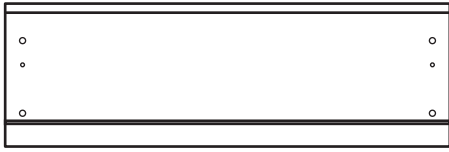
DF-00022148

**11** 42 x 42 cm **x2**

# Drawer Panels

Note: the internal drawer panels are grey

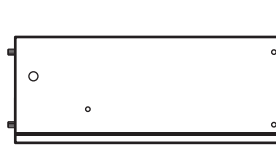
DO NOT REMOVE any protective film until after assembly



DF-00022152

**12** 58.8 x 18.9 cm

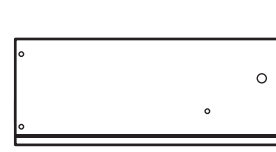
**x2**



WRP-00000491

**13** 35 x 14 cm

**x2**



WRP-00000492

**14** 35 x 14 cm

**x2**



WRP-00000493

**15** 52.95 x 14 cm

**x2**



DF-00023215

**16** 54.5 x 34.7 cm

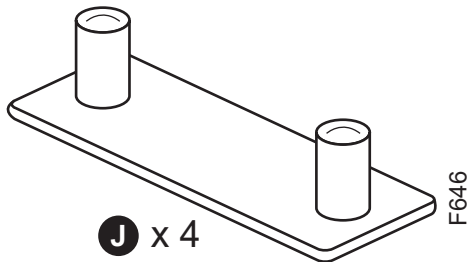
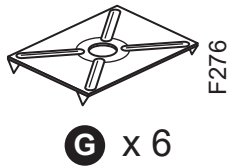
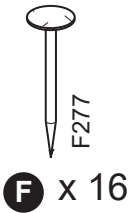
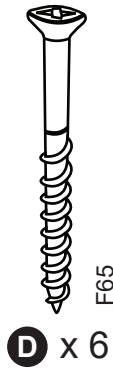
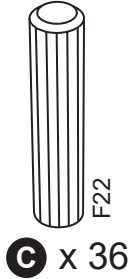
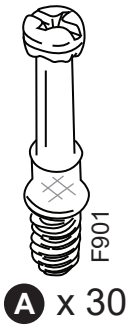
**x2**



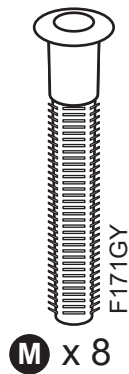
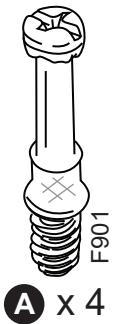
# Fittings

Use these drawings to correctly identify the fittings

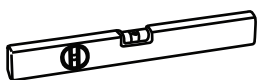
## Bag 1



## Bag 2

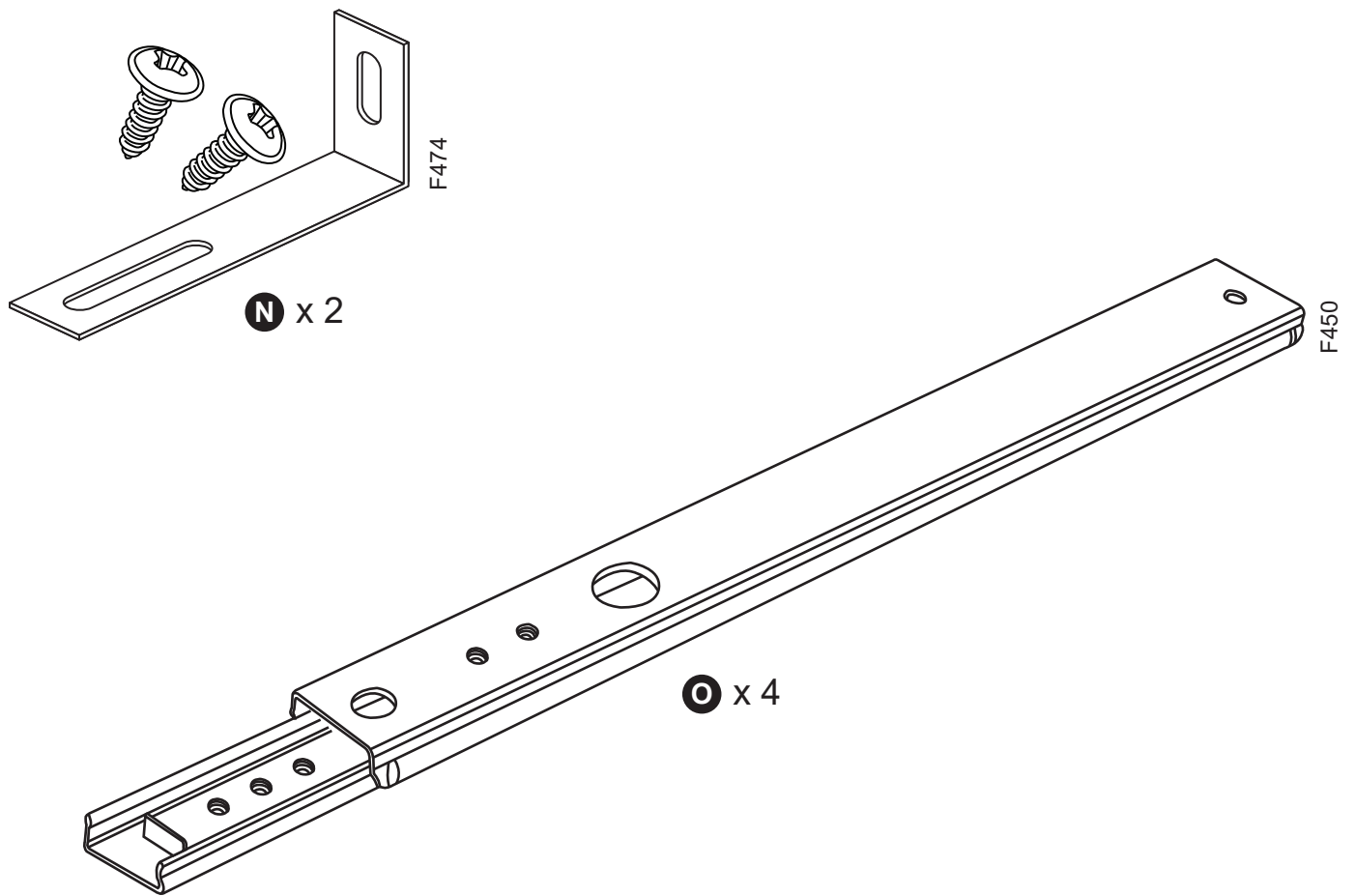


## Tools

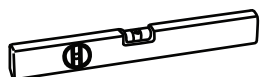
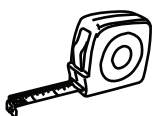


Only used for drilling walls

# Fittings



## Tools

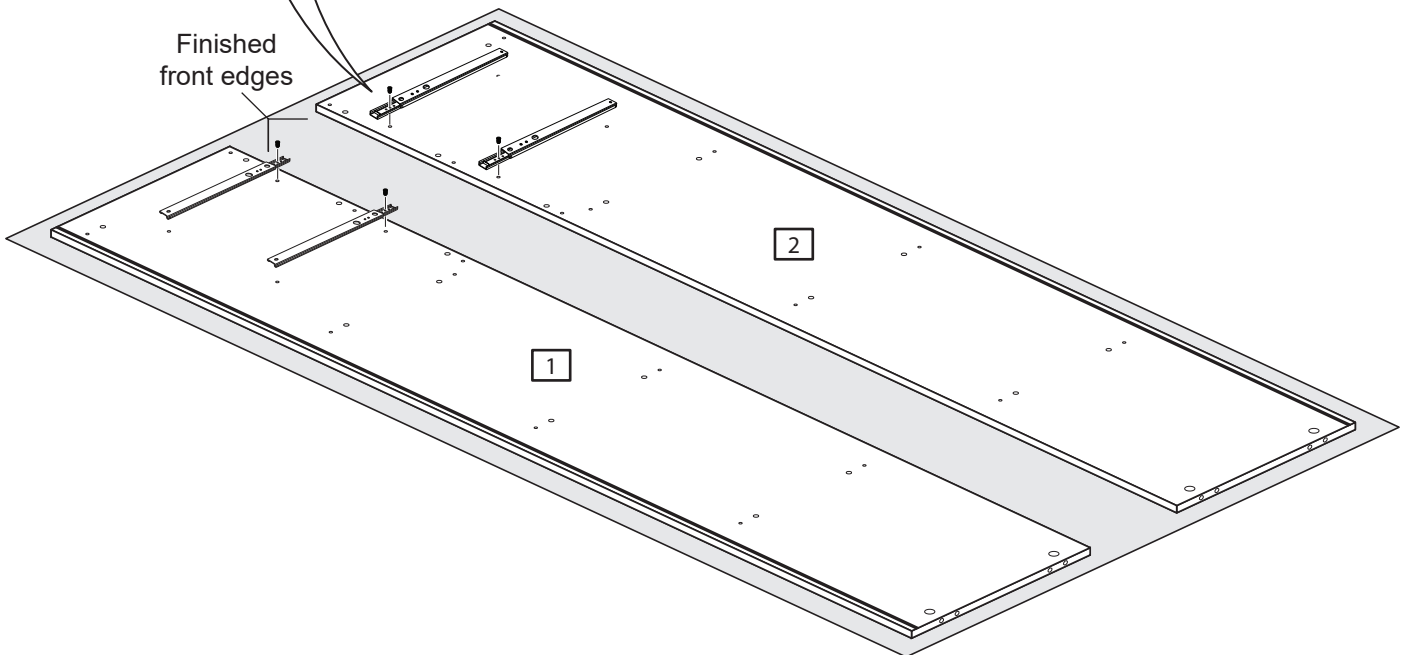
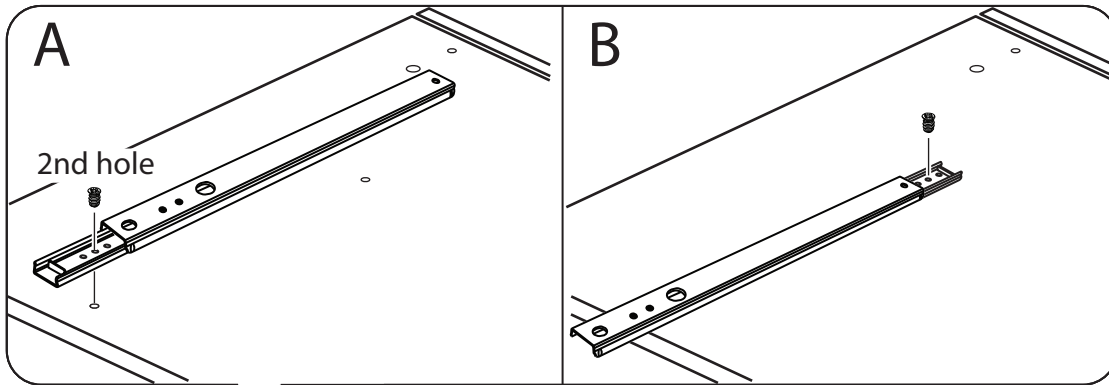
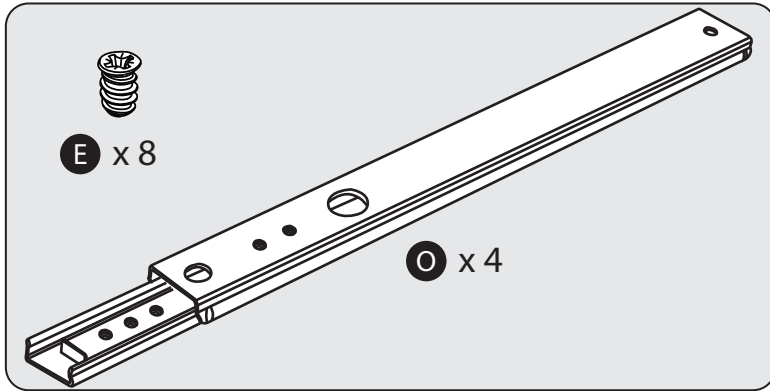


Only used for drilling walls

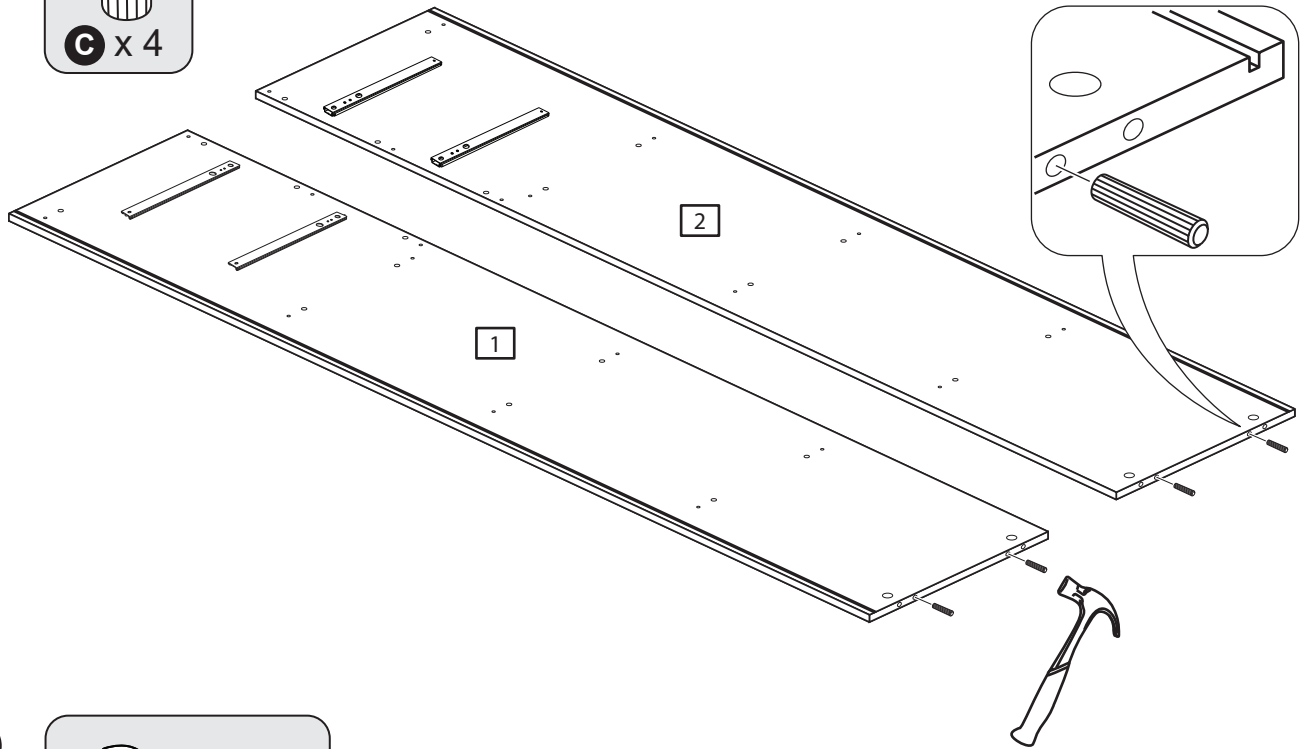
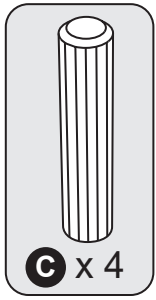
# 1



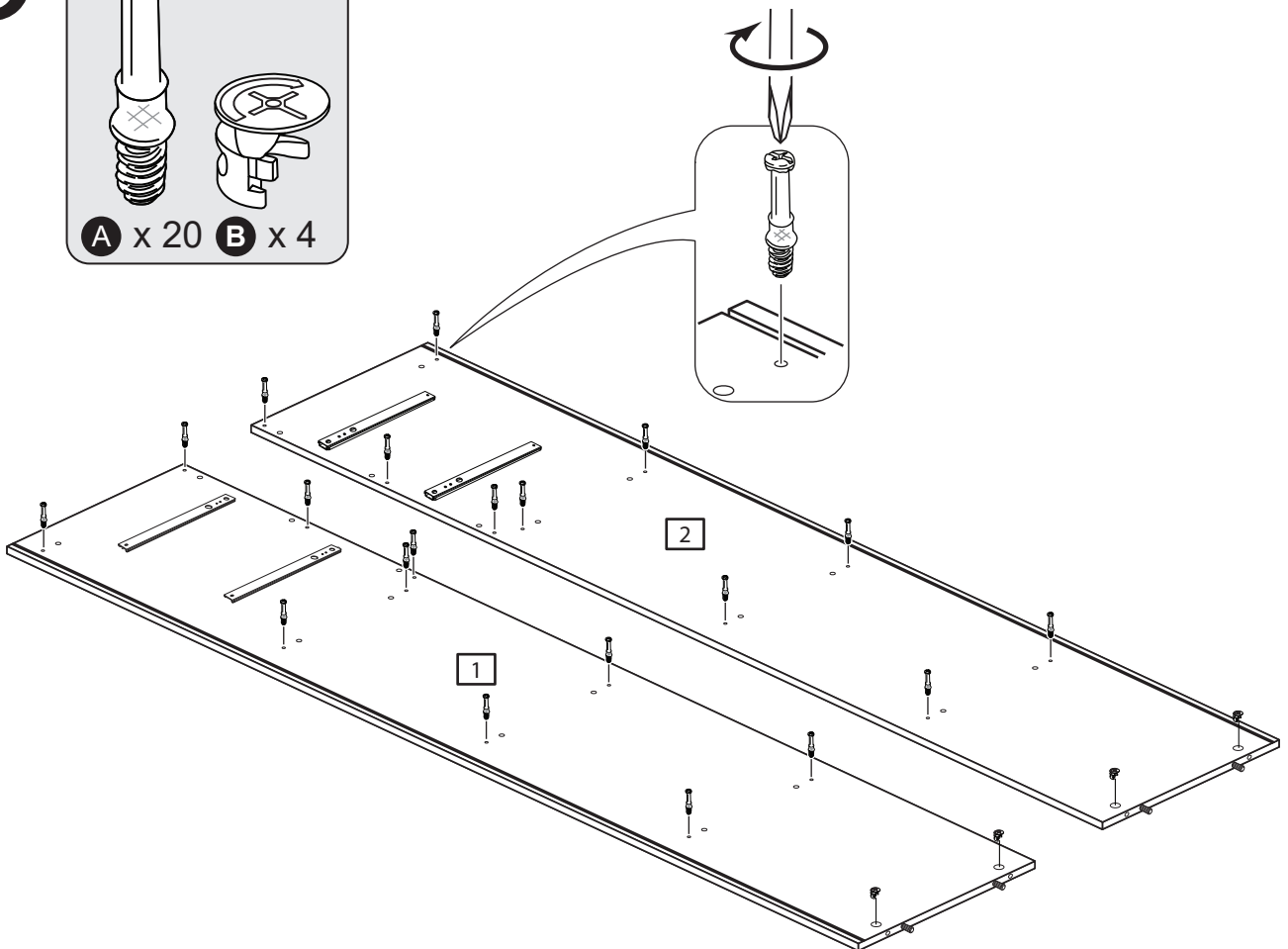
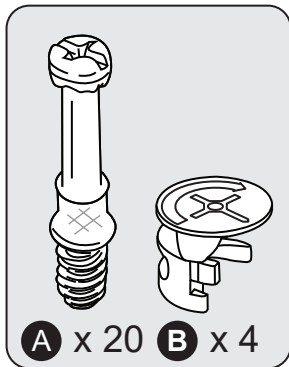
Fitting Ball Bearing Runners  
[www.youtube.com/watch?v=yG4xtiJJeSg](http://www.youtube.com/watch?v=yG4xtiJJeSg)



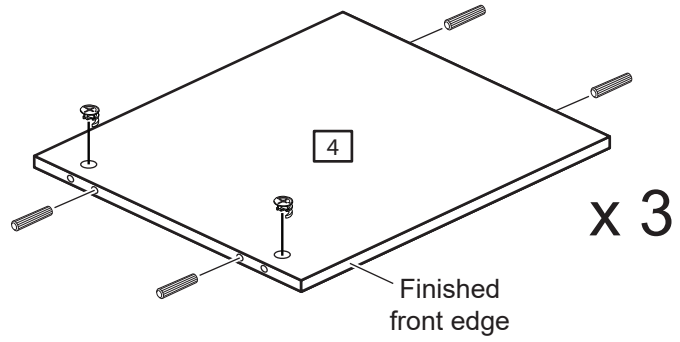
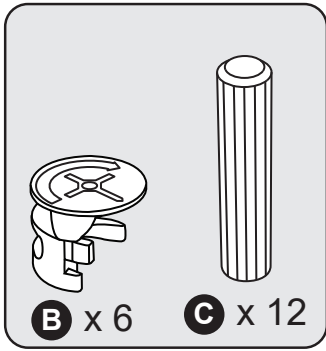
# 2



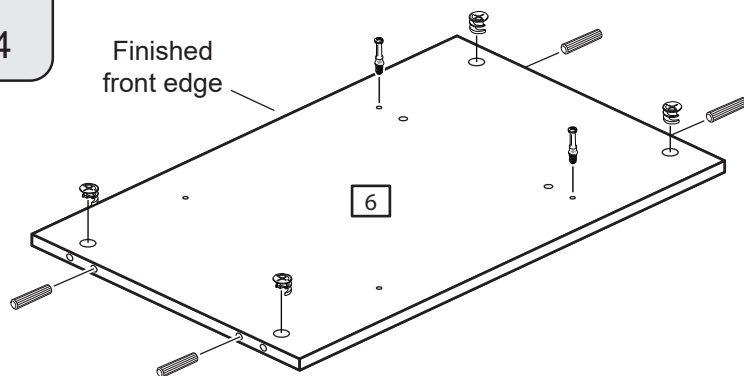
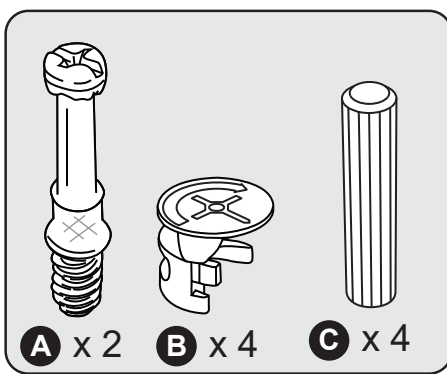
# 3



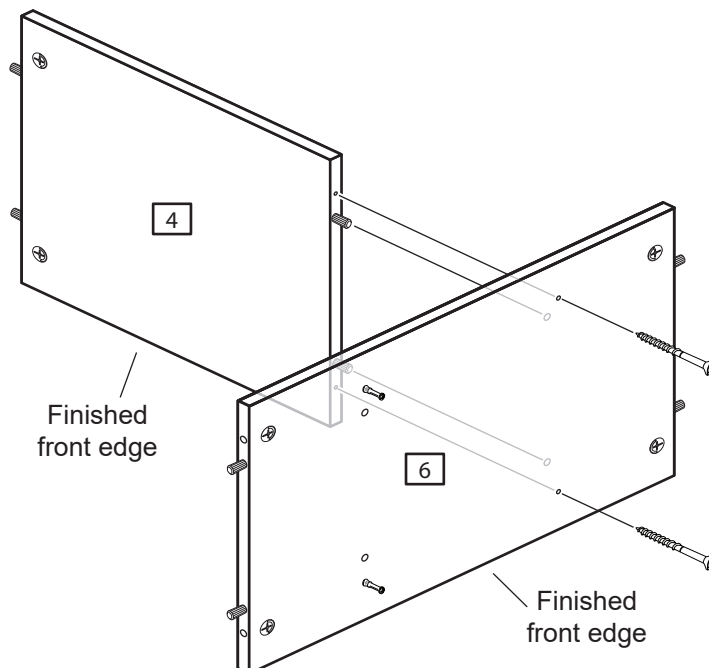
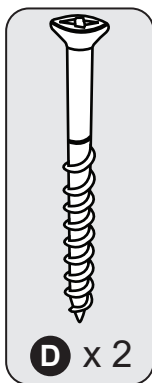
# 4



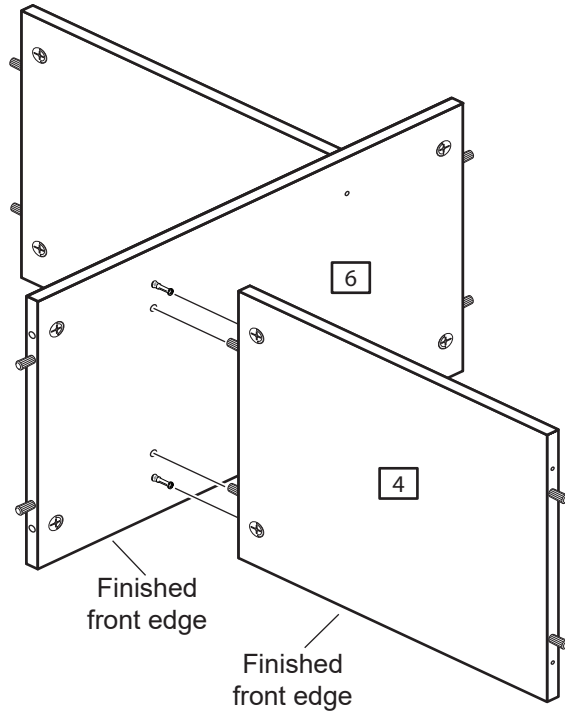
# 5



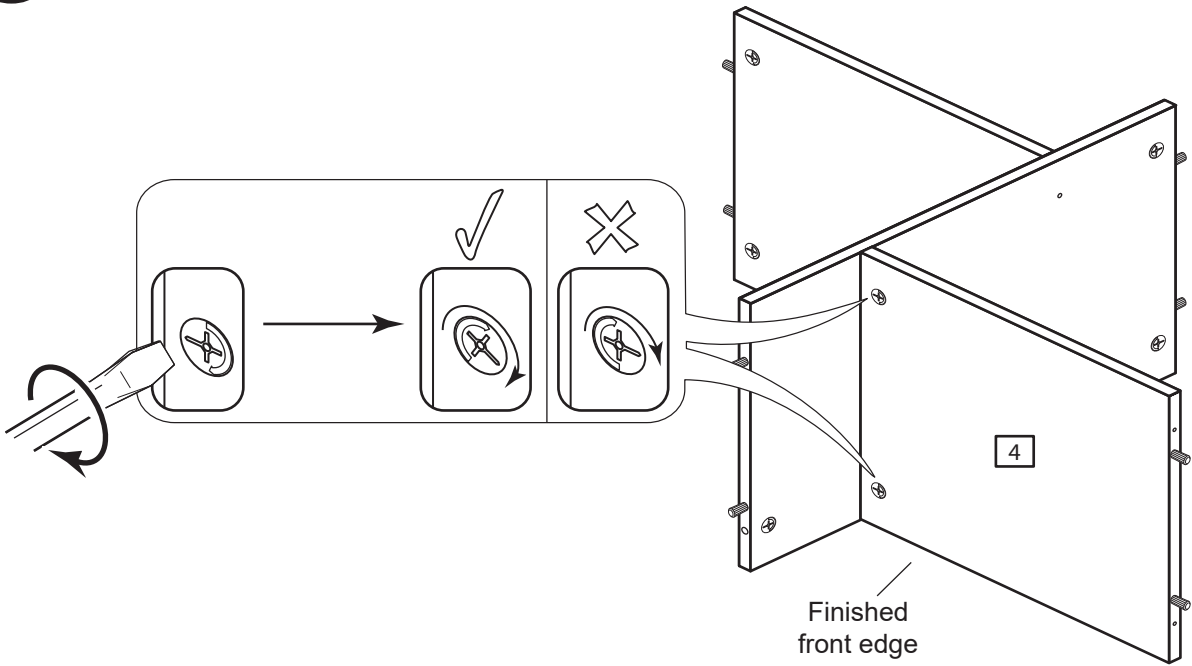
# 6



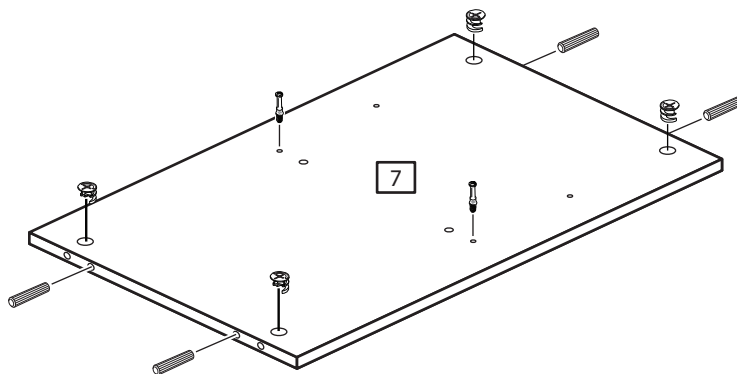
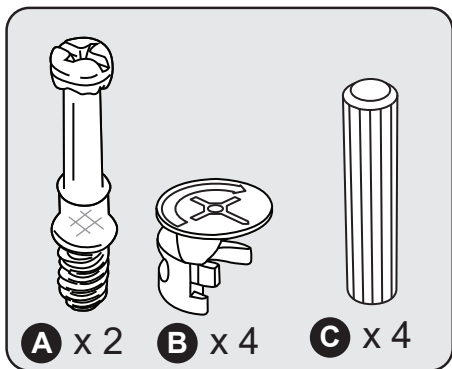
# 7



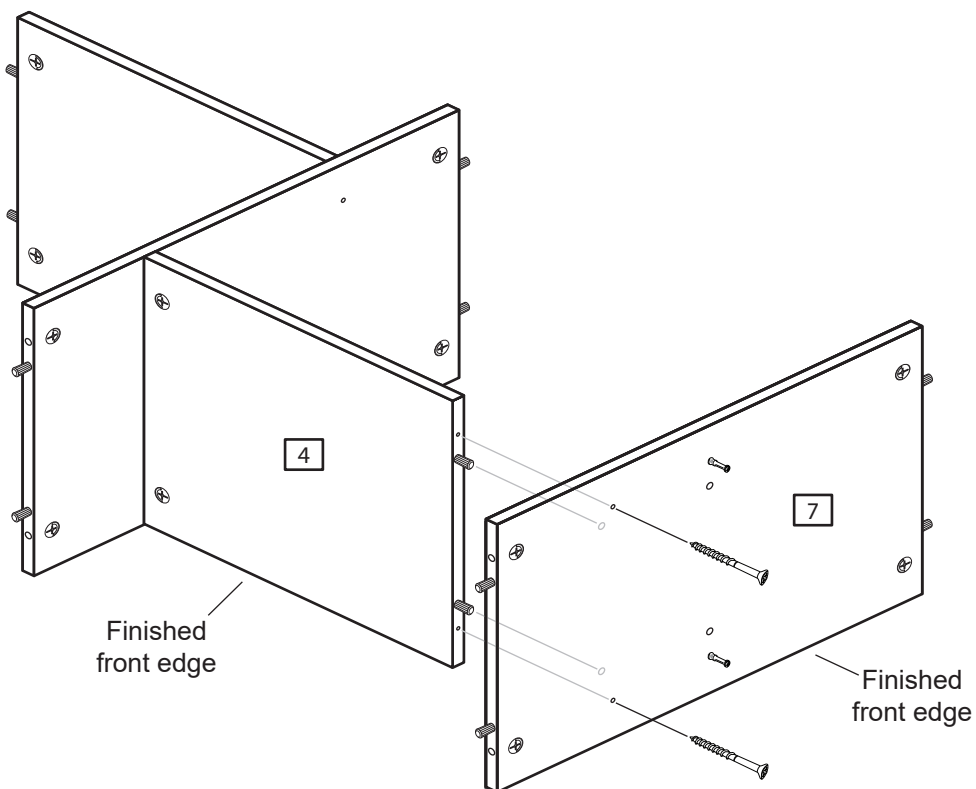
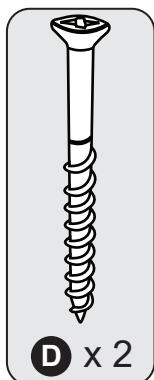
# 8



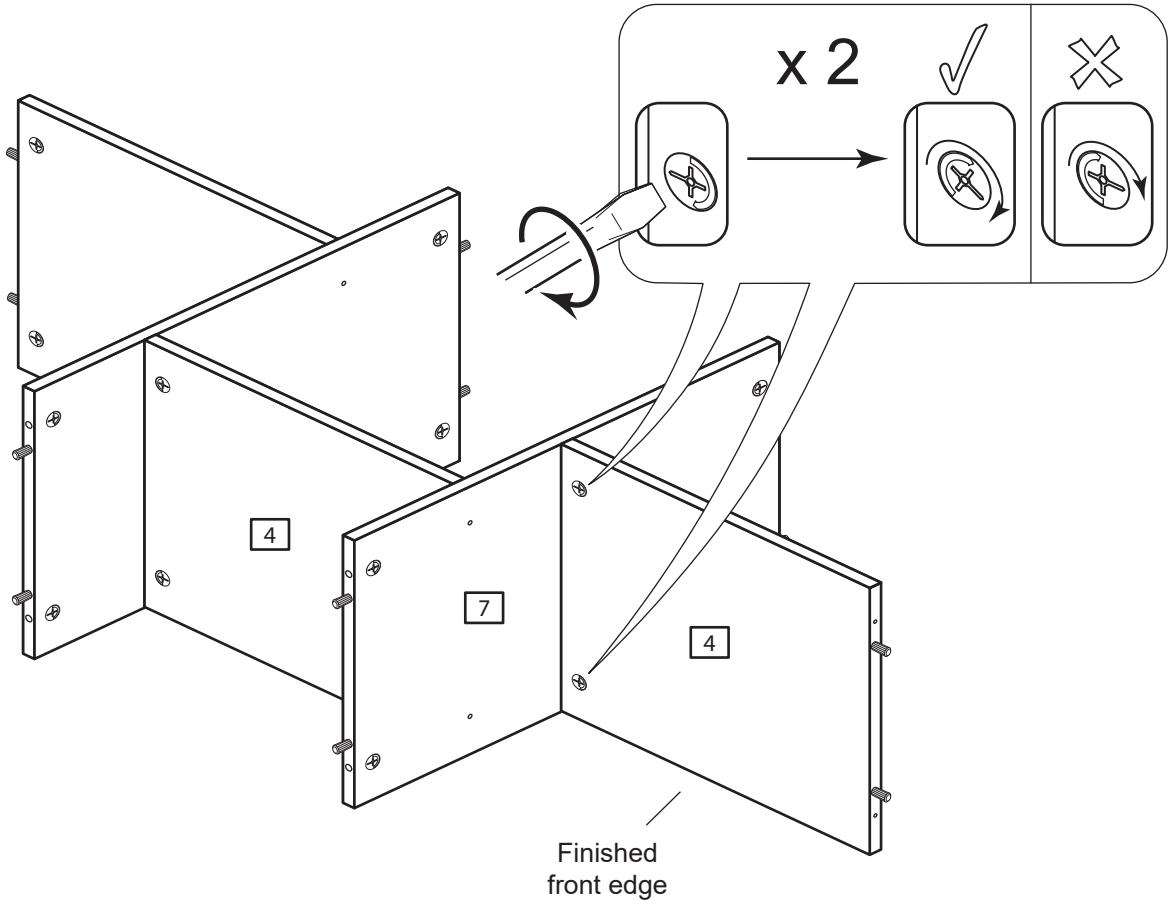
# 9



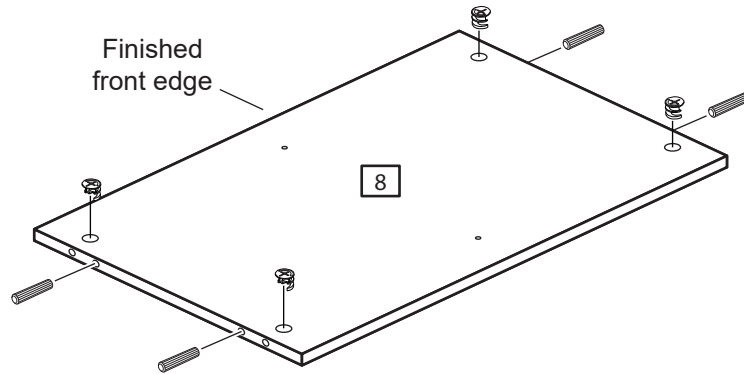
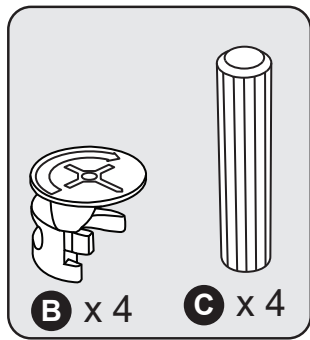
# 10



# 11

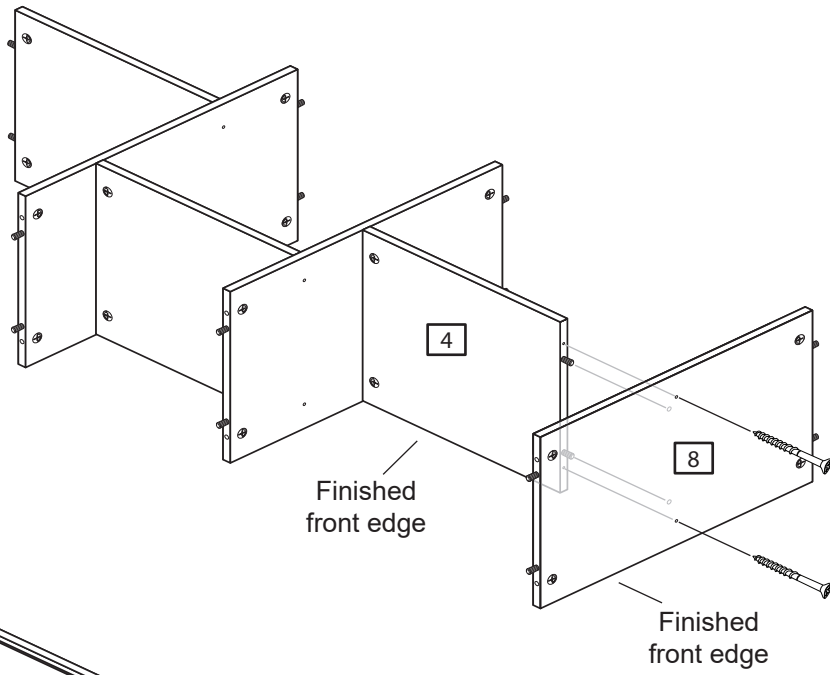
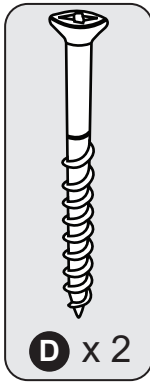


# 12

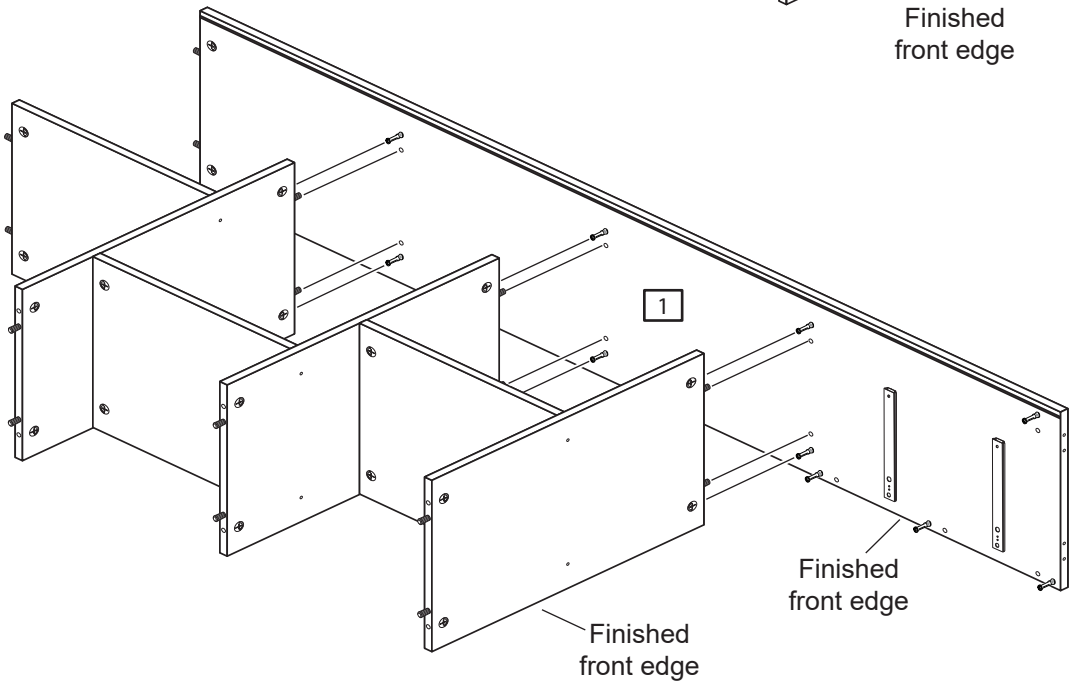




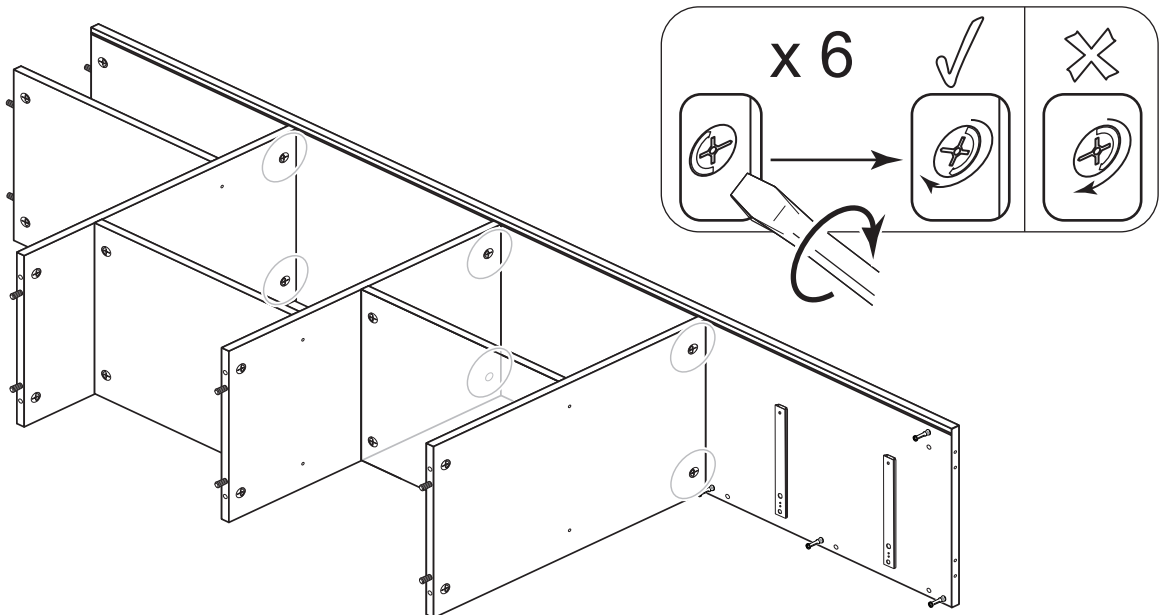
# 13



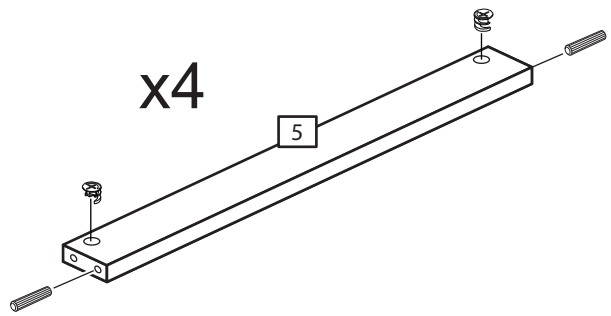
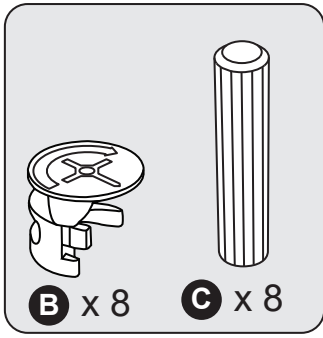
# 14



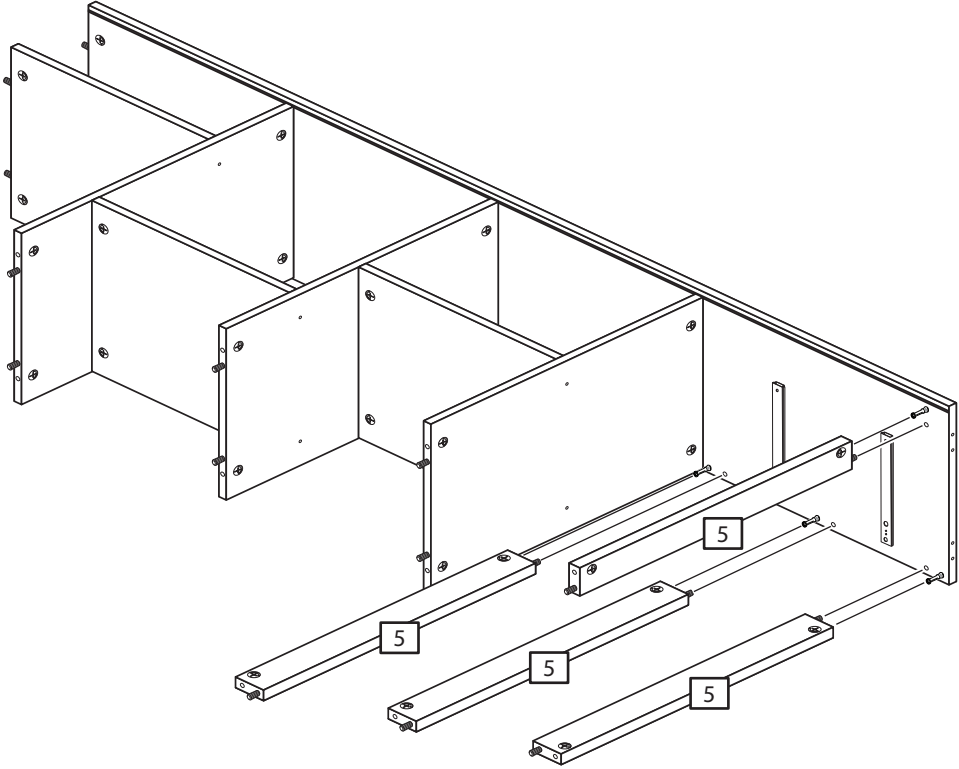
# 15



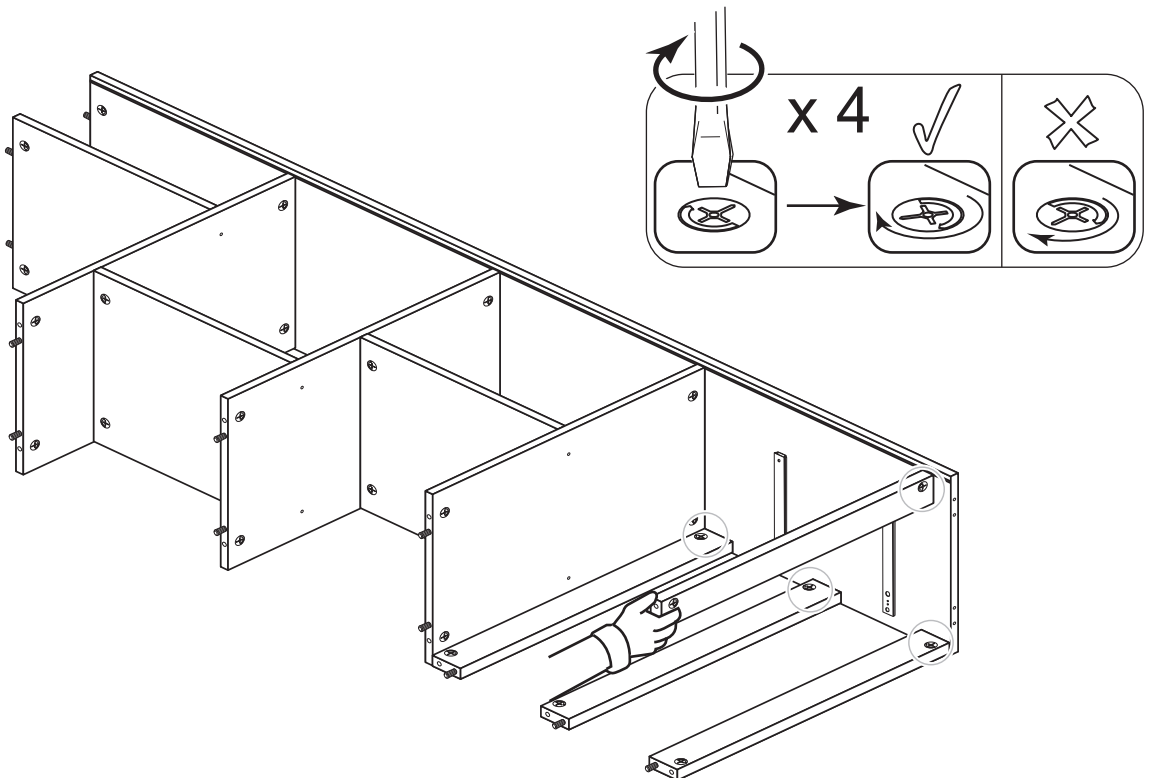
# 16



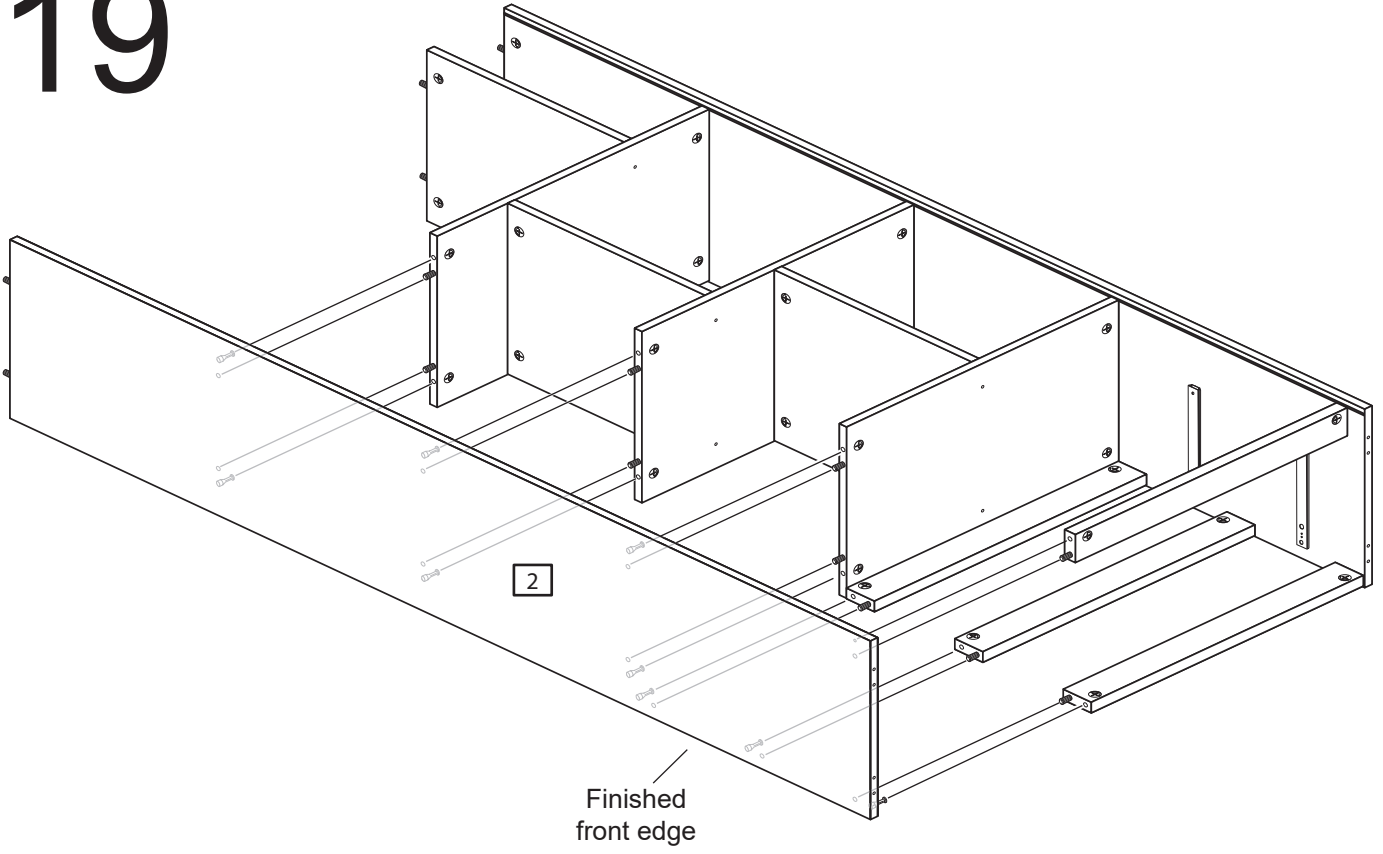
# 17



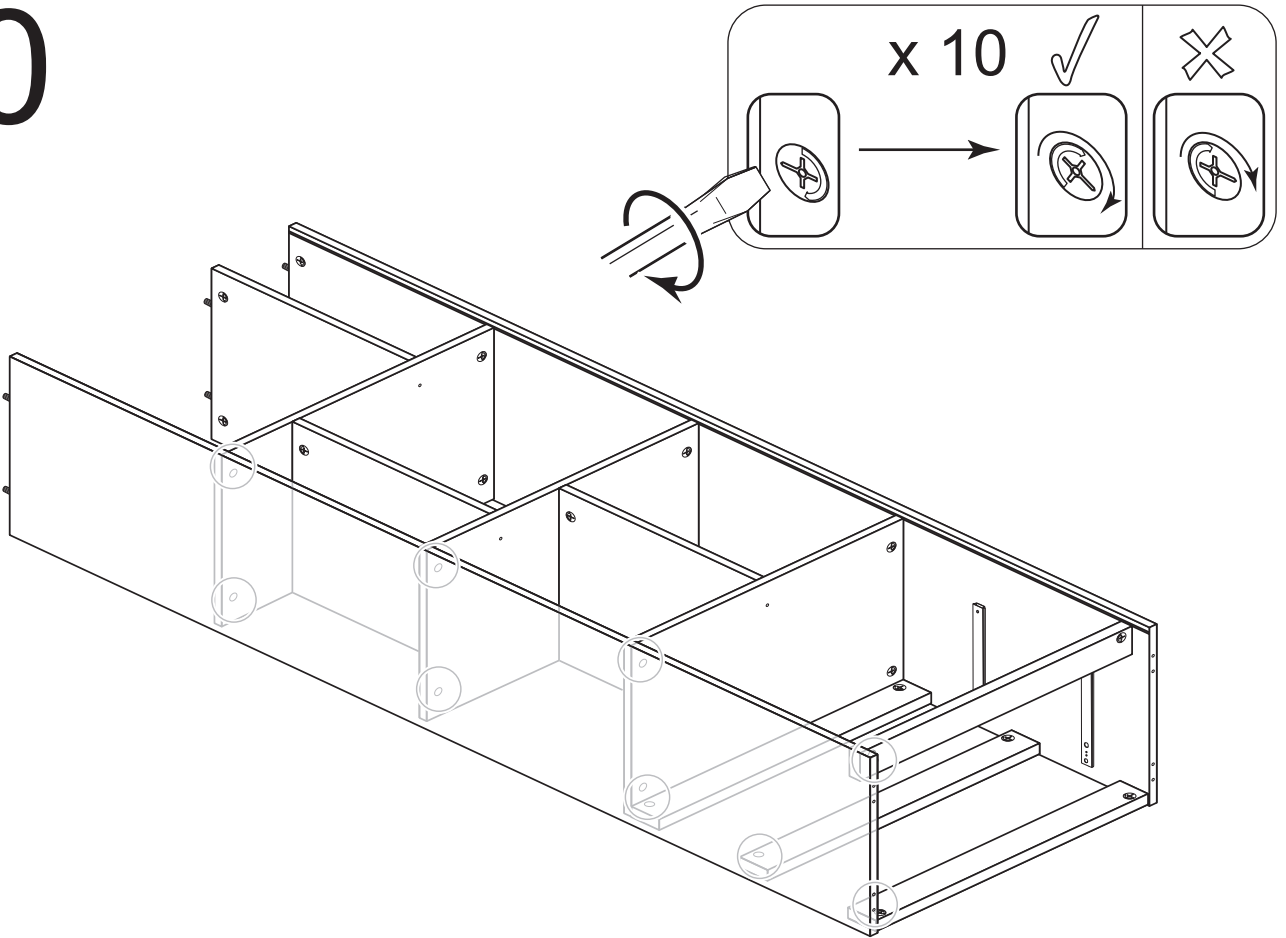
# 18



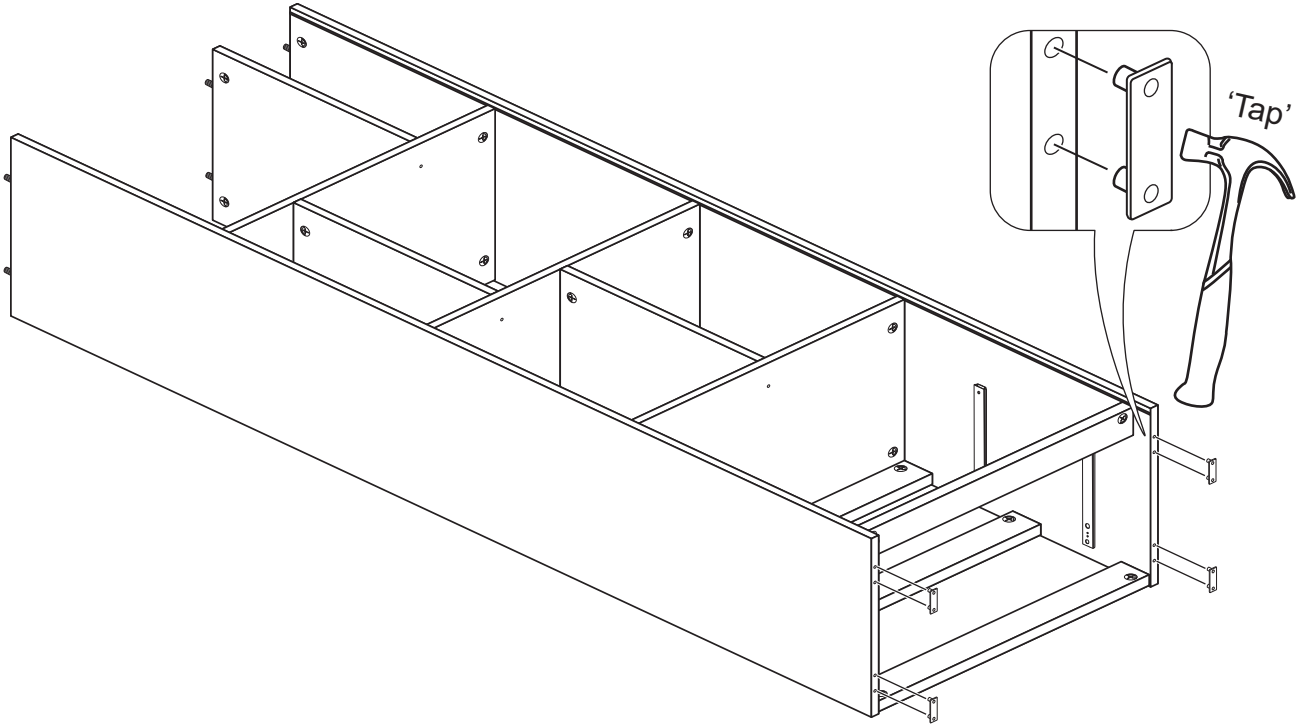
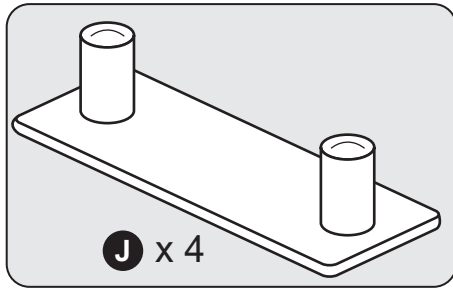
# 19



# 20



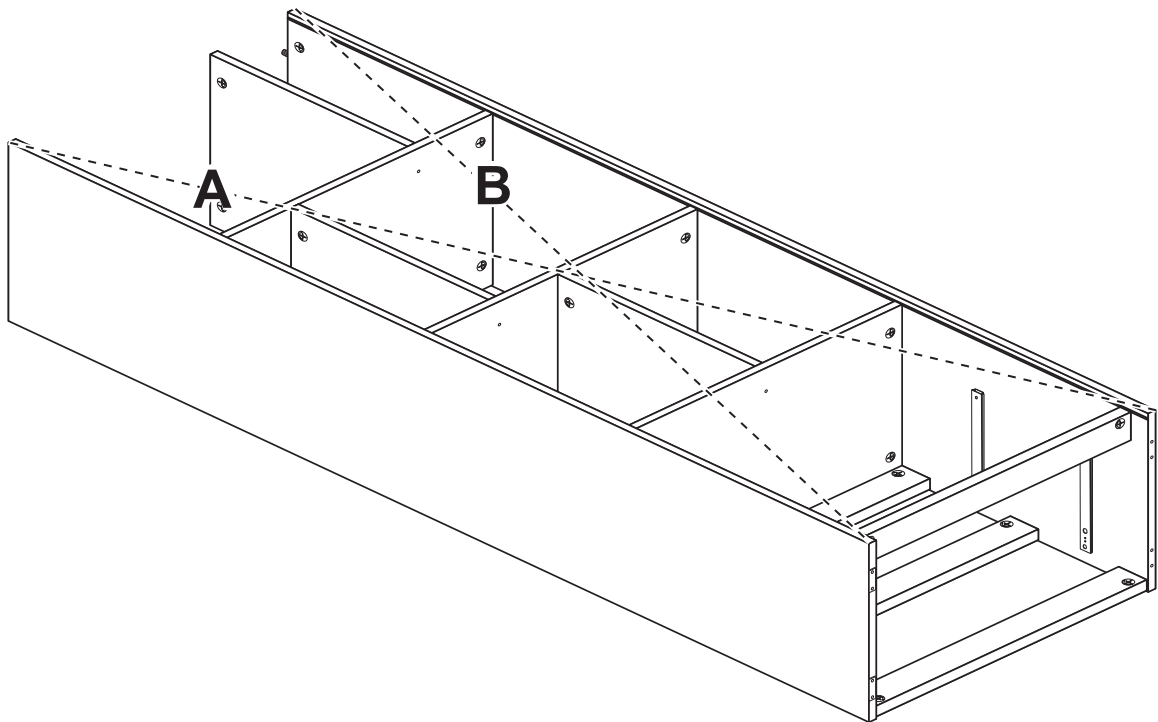
# 21



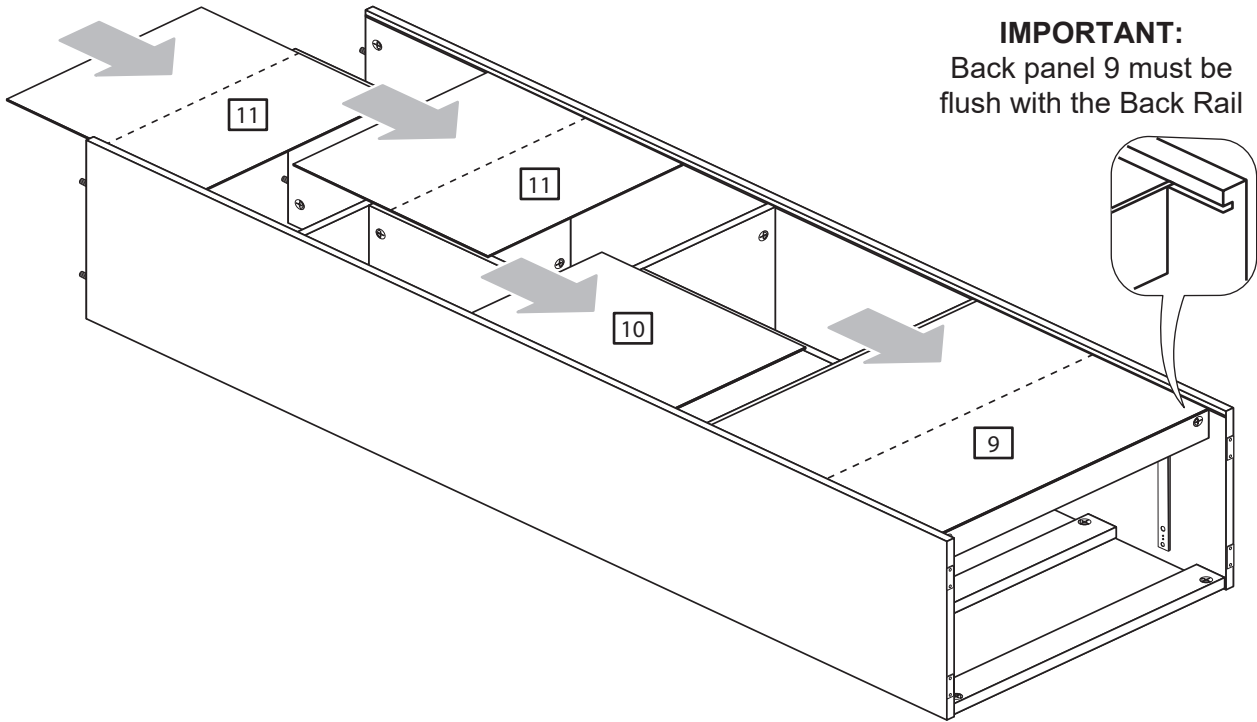
# 22



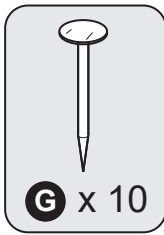
Make sure measurement A and B are the same before fixing the Back panel in the next step



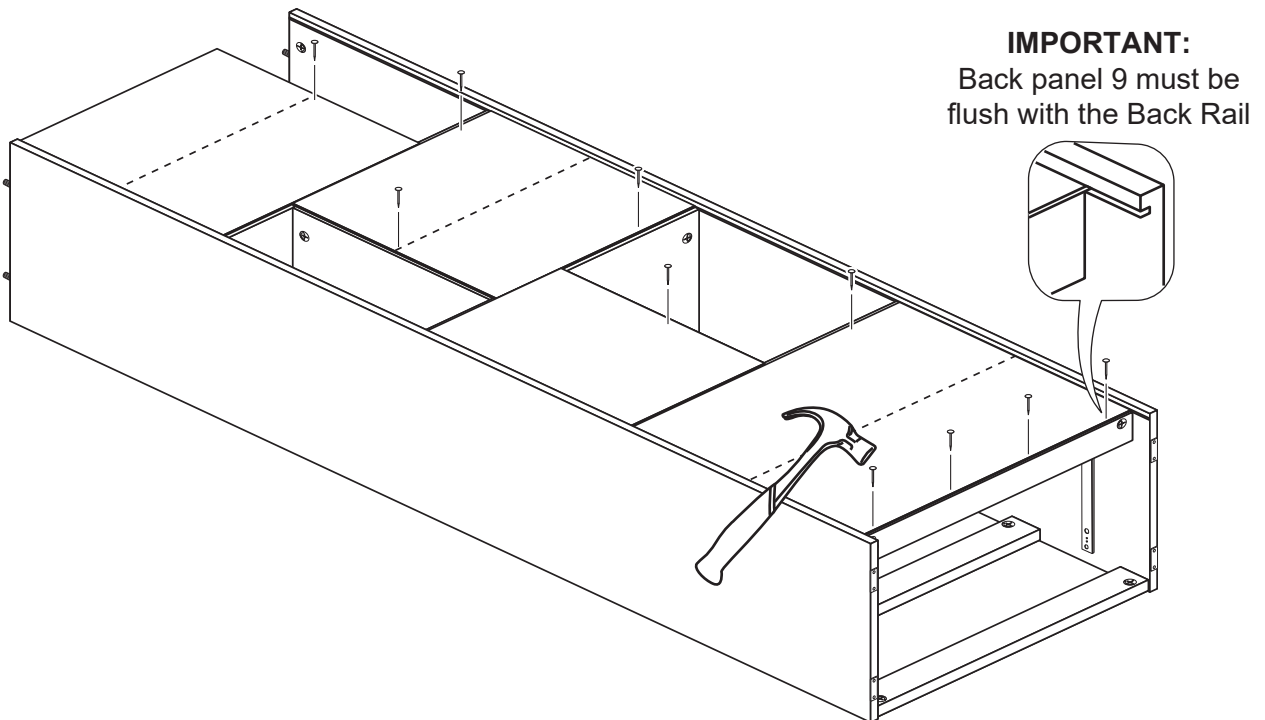
# 23



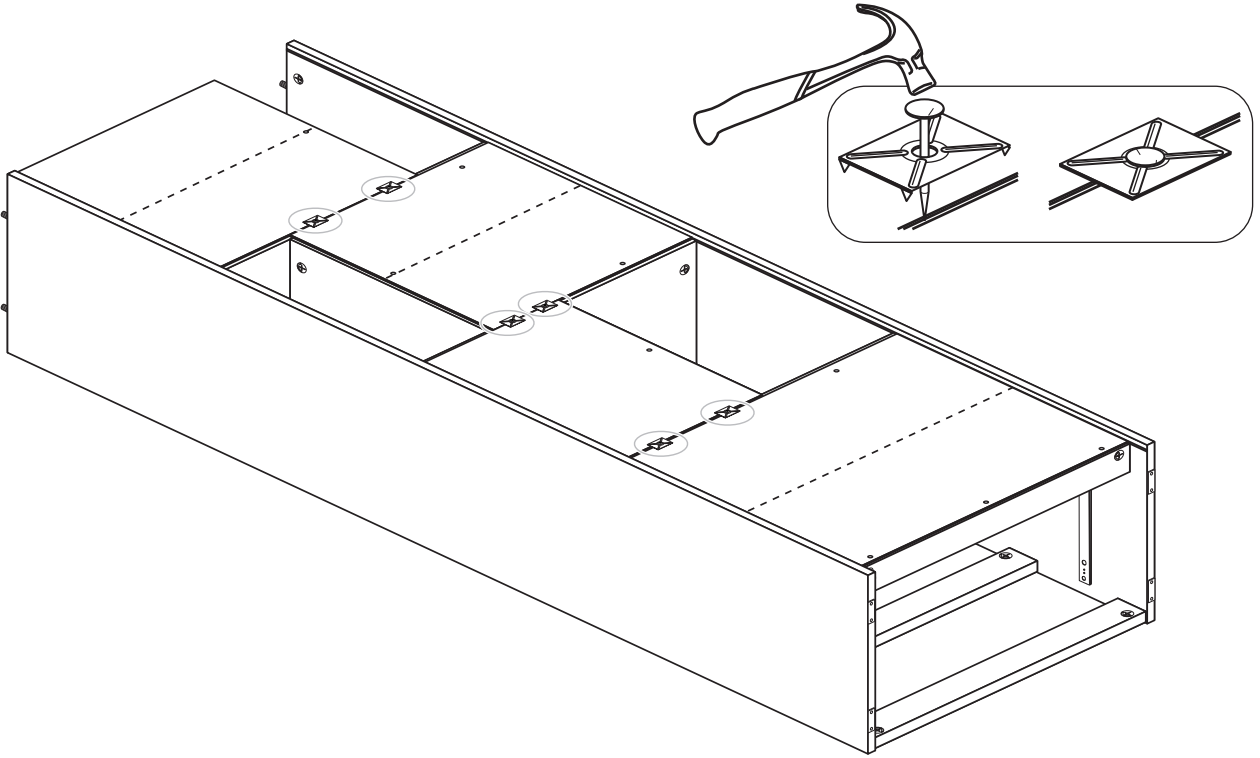
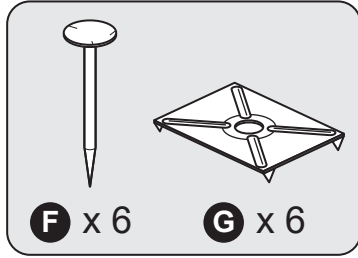
# 24



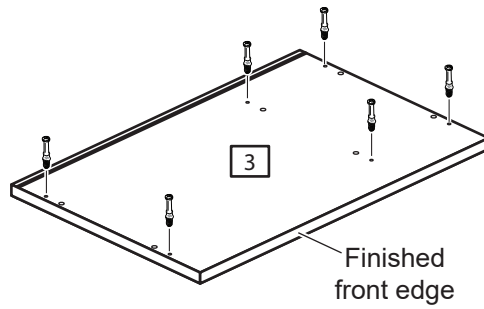
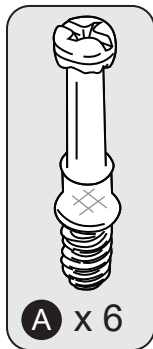
**IMPORTANT:**  
You will need to keep 6  
nails for the next step



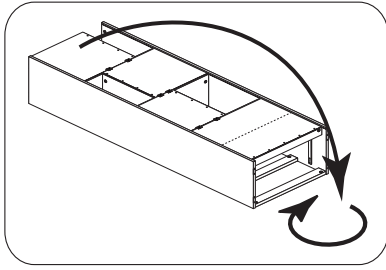
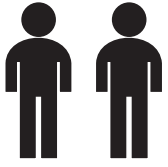
# 25



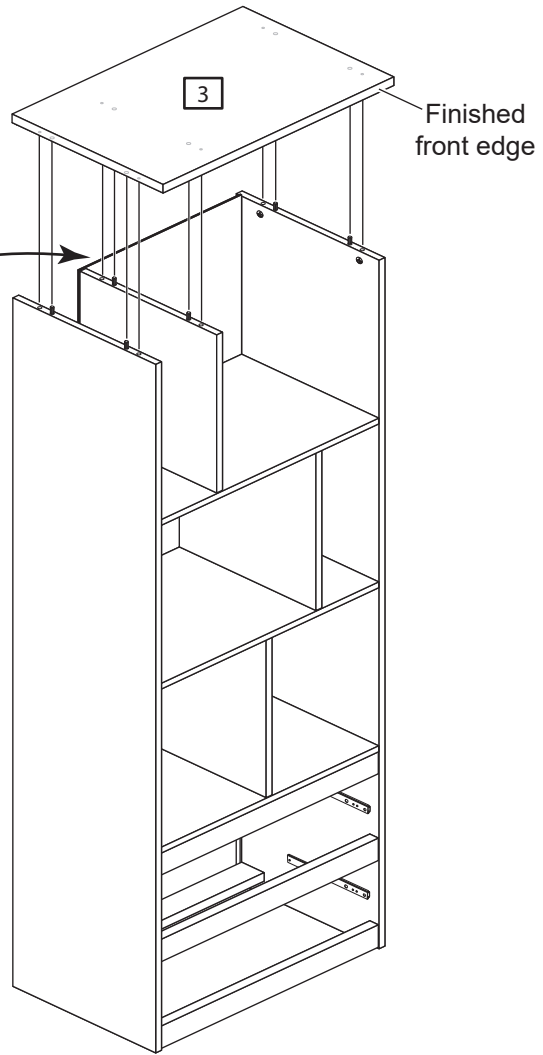
# 26



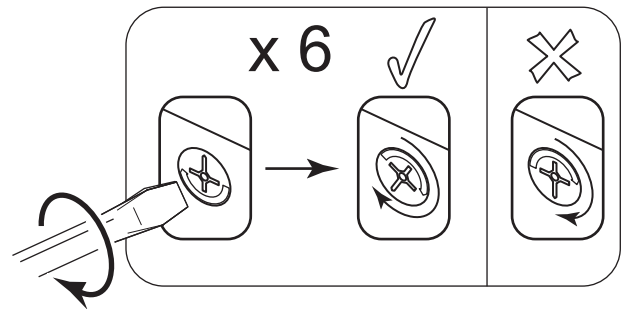
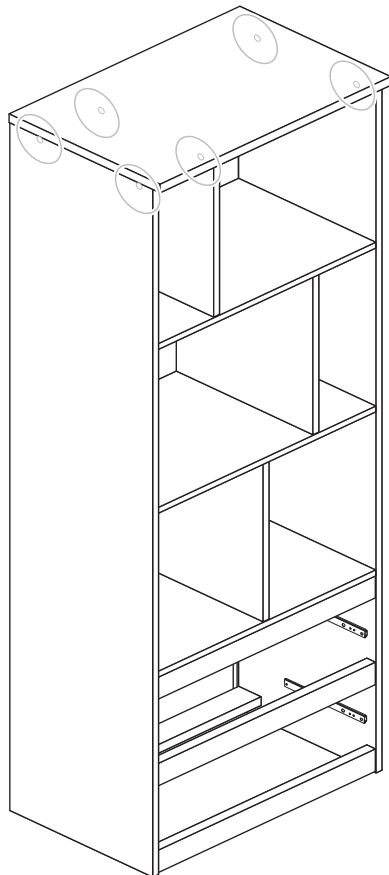
# 27



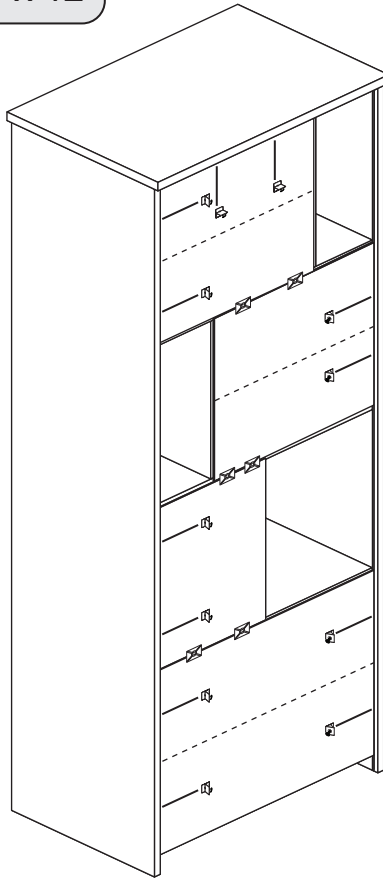
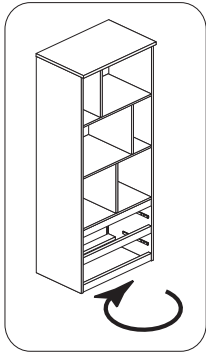
**IMPORTANT:**  
The back panel must slot  
into the groove in the top  
panel



# 28



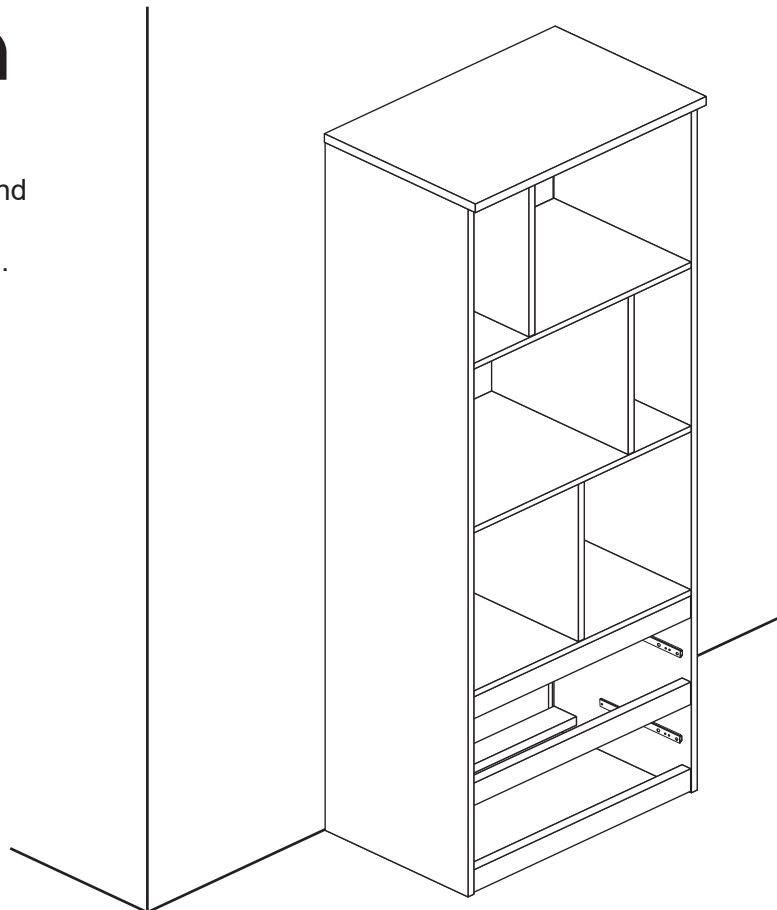
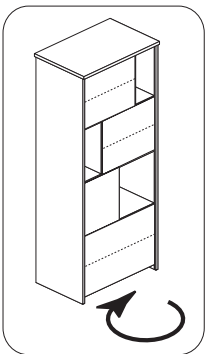
# 29



# 30

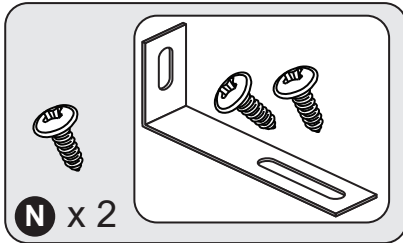


Carefully turn the unit around and move it into its final position up against the wall.





# 31

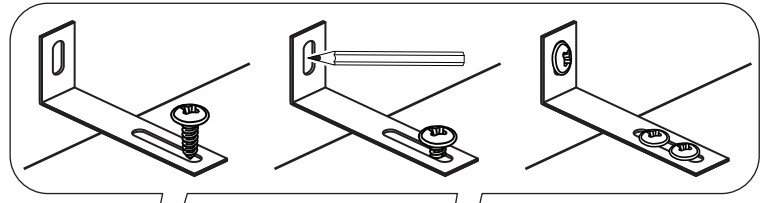


**WARNING!**  
In order to prevent overturning  
this product must be used with the  
2 wall attachment devices provided

Carefully stand the unit up and  
push it up against the wall.

*See the next section for a guide  
to wall mounting and fixings*

Loosely fit the 1st screw  
through the brackets into the  
top panel.



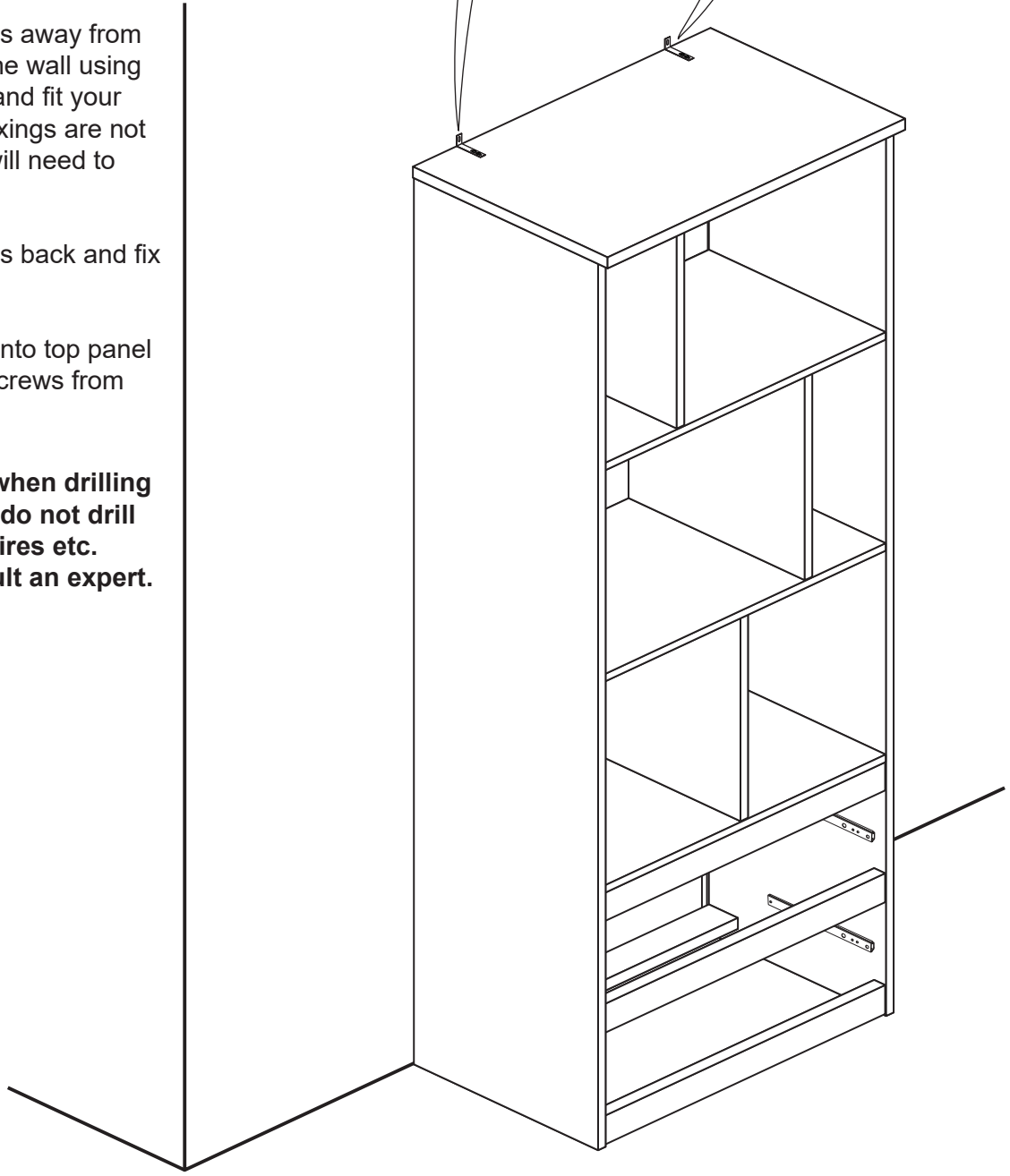
Slide the brackets against the  
wall and mark the slot at the  
back of the brackets for drilling  
into the wall.

Swivel the brackets away from  
the wall and drill the wall using  
a suitable drill-bit and fit your  
wall fixings (wall fixings are not  
supplied as they will need to  
suit the wall type).

Swivel the brackets back and fix  
them to the wall.

Fit the 2nd screw into top panel  
and tighten both screws from  
the kits.

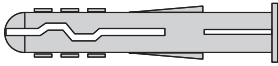
**Note: Take care when drilling  
the wall that you do not drill  
into any pipes, wires etc.  
If in doubt, consult an expert.**



# A Guide to Wall Mounting & Fixings

## Important note:

If plastic wall plugs are supplied with your product:



- these are only suitable for use in masonry walls.

If you are in any doubt about the correct wall plugs for your wall, seek professional advice.


Failure of the product due to using incorrect fixings is the responsibility of the installer.



**Important: When drilling into walls always check that there are no hidden wires or pipes etc.**

Make sure that the screws and wall plugs being used are suitable for supporting your unit. Consult a qualified tradesperson if you are unsure.

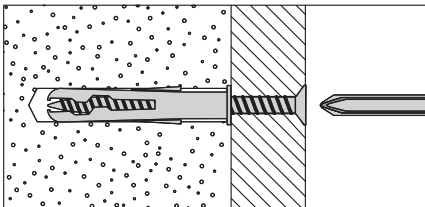
## Hints:

- 1: General rule:  Always use a larger screw and wall plug if you are not sure.
- 2: Ensure you use the recommended drill bit to match the wall plug and hole size.
- 3: Ensure you drill the hole horizontally, do not force the drill or enlarge the hole.
- 4: Take extra care when drilling high walls, ceilings and ceramic tiles. Ensure wall plugs are inserted beyond the thickness of the ceramic tiles to avoid the tiles splitting or cracking.
- 5: Ensure wall plugs are well fitted and are a tight fit in the drilled hole.

## Types of walls

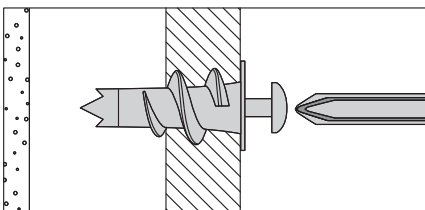
You can use one of the following types of wall plug if your walls are made of brick, breeze block, concrete, stone or wood.

### No.1 "General Purpose" wall plug



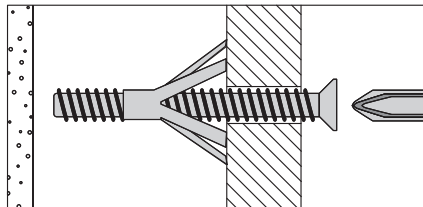
Generally aerated blocks should not be used to support heavy loads, use a specialist fitting in this case. For light loads, general purpose wall plugs can be used.

### No.2 "Plasterboard" wall plug



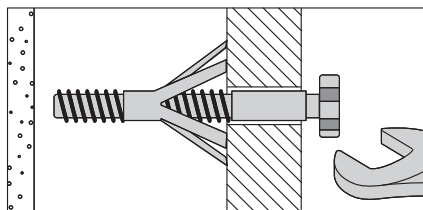
For use when attaching light loads on to plasterboard partitions.

### No.3 "Cavity Fixing" wall plug



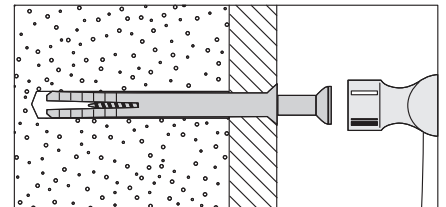
For use with plasterboard partitions or hollow wooden doors.

### No.4 "Cavity Fixing-Heavy Duty" wall plug



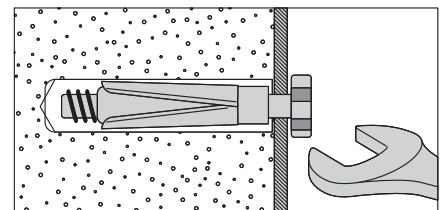
For use when fitting or supporting heavy loads such as shelving, wall cabinets and coat racks.

### No.5 "Hammer Fixing" wall plug



For use with walls stuck with plasterboard. The hammer fixing allows it to be fixed to the wall rather than the plasterboard. Always check the fixing is secure to the retaining wall.

### No.6 "Shield Anchor" wall plug Heavy loads



For use with heavier loads such as TV & HiFi speakers and satellite dishes etc.

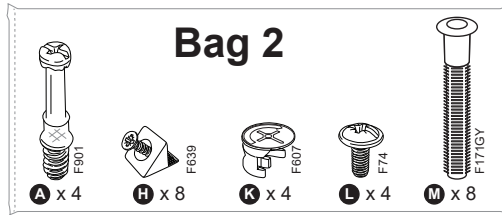
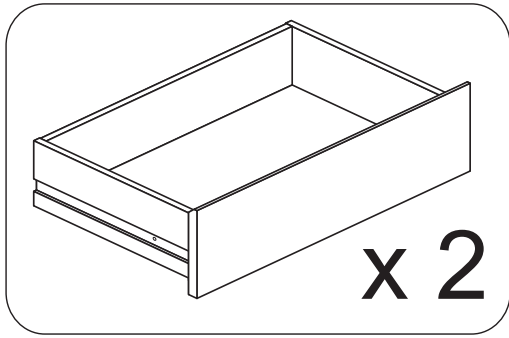


## Care & Maintenance

**Safety:** Always check the fitting and location to ensure your safety in and around the home.

**Fitting:** From time to time check the fitting to ensure the wall plugs or screws do not become loose.

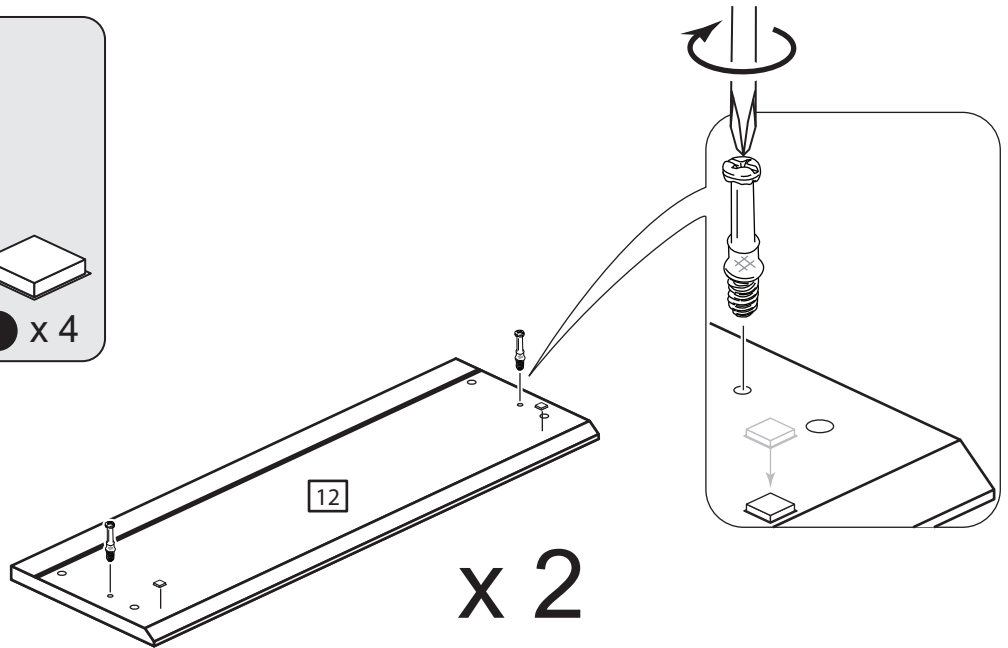
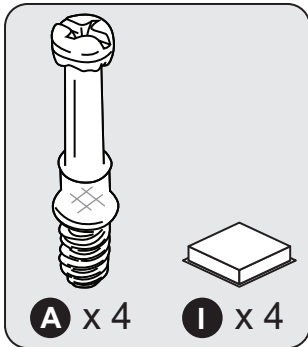
# Drawer Assembly



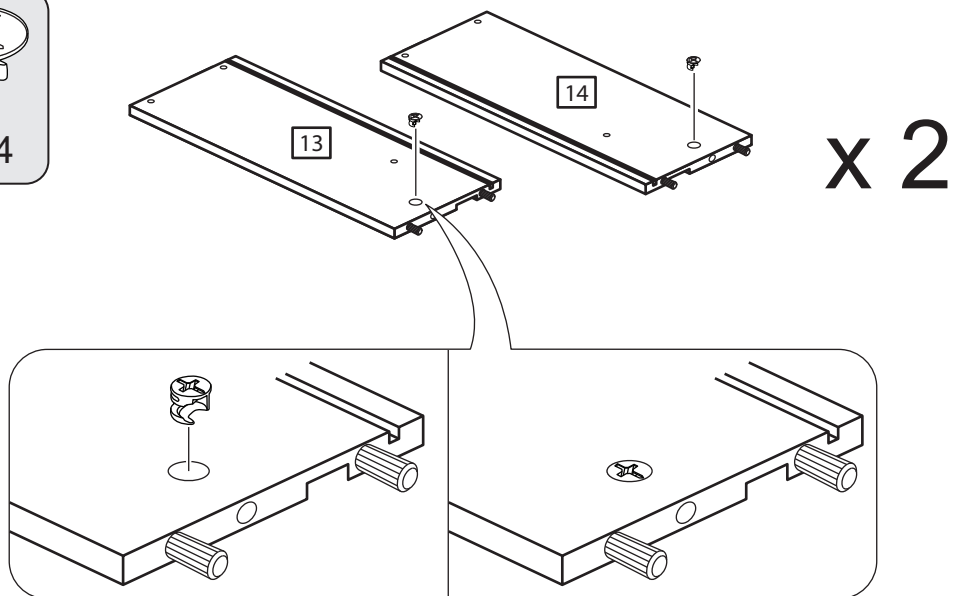
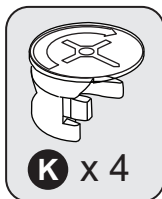
**Drawer Box Assembly**

[www.youtube.com/watch?v=lnNBV\\_uuMmo](http://www.youtube.com/watch?v=lnNBV_uuMmo)

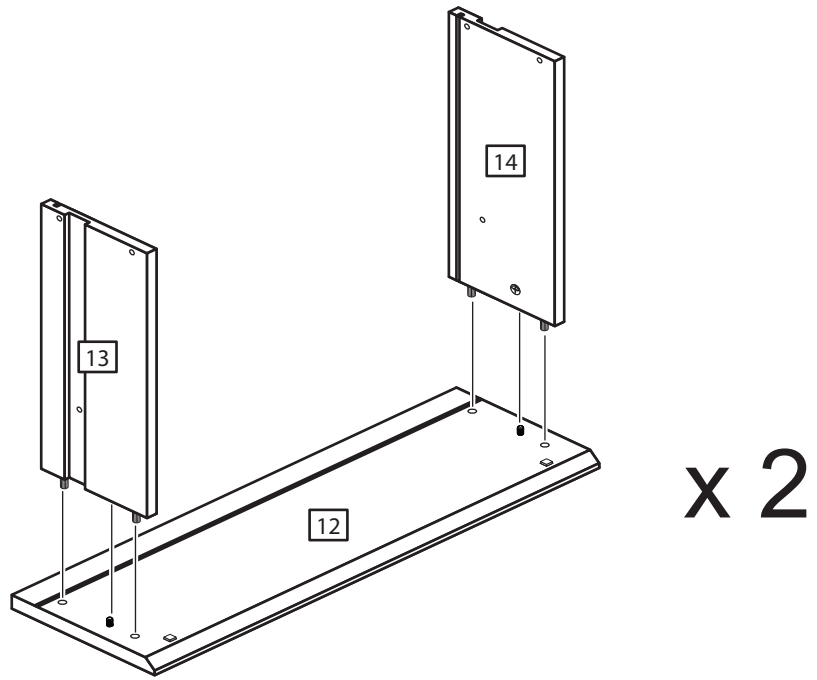
**32**



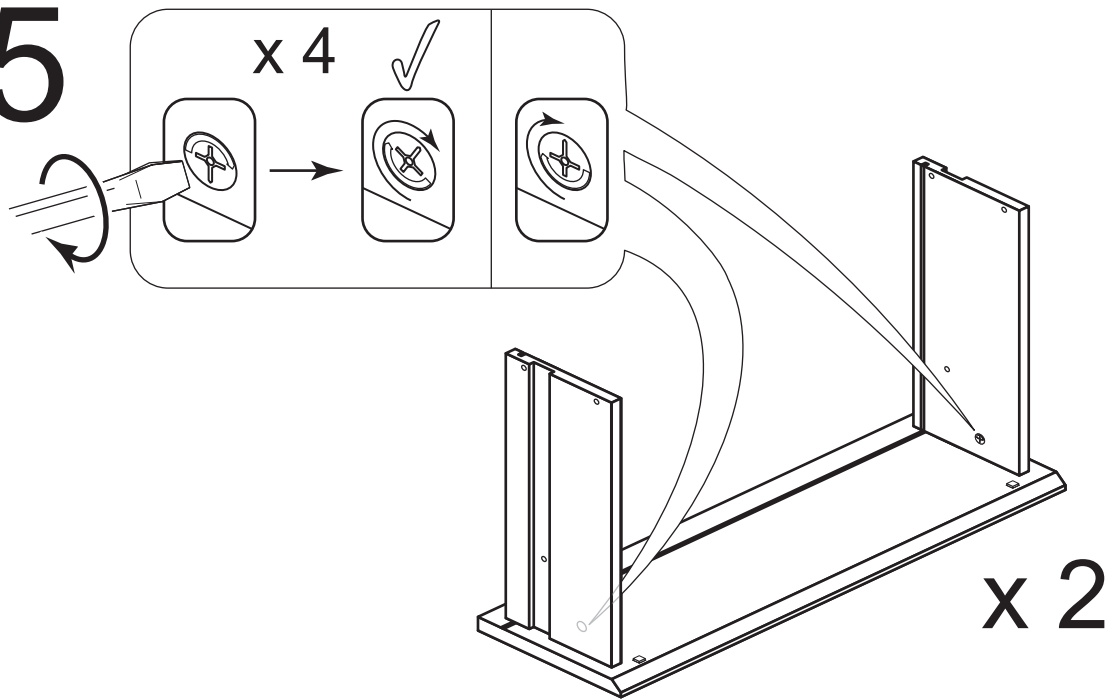
**33**



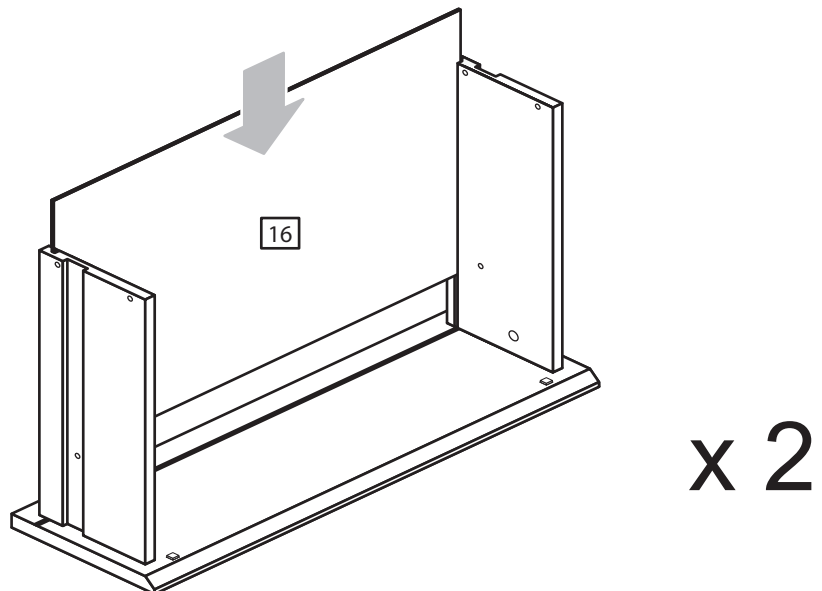
# 34



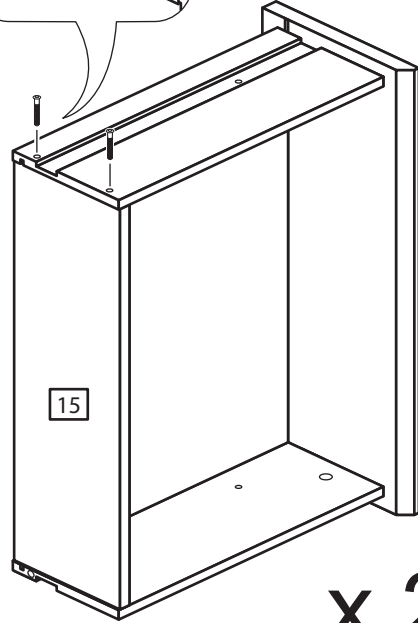
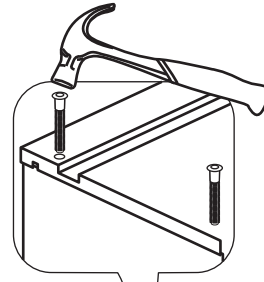
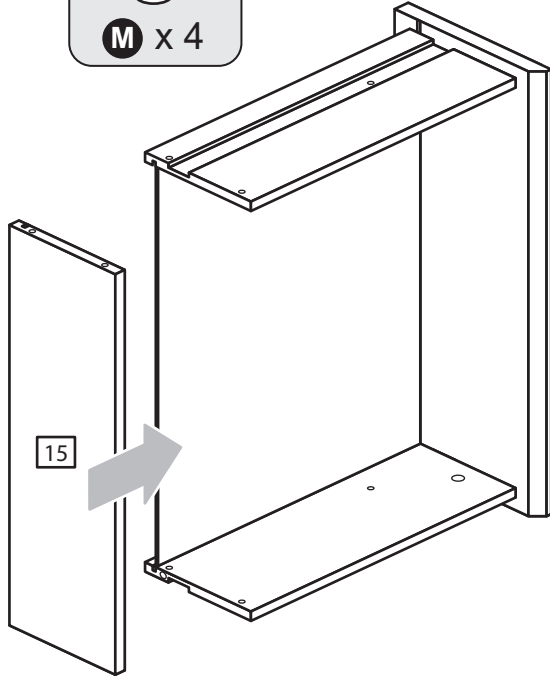
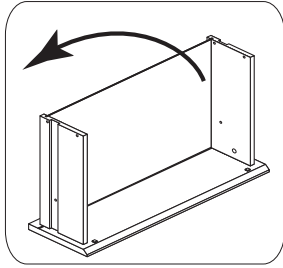
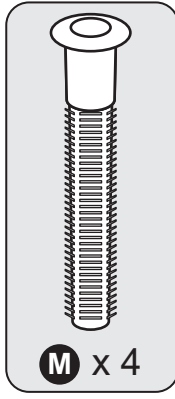
# 35



# 36

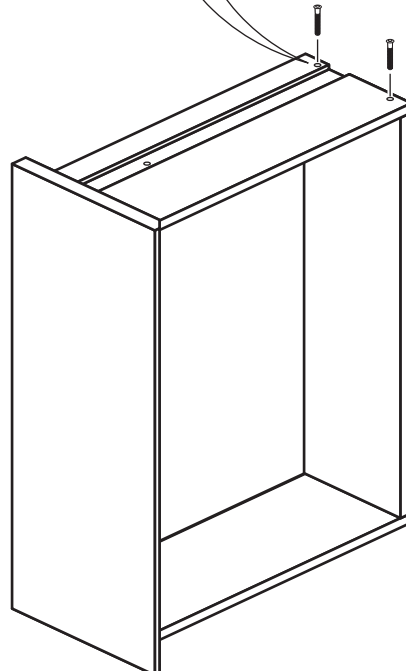
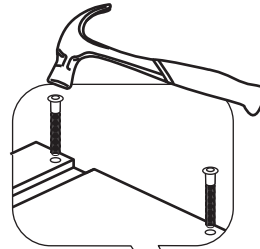
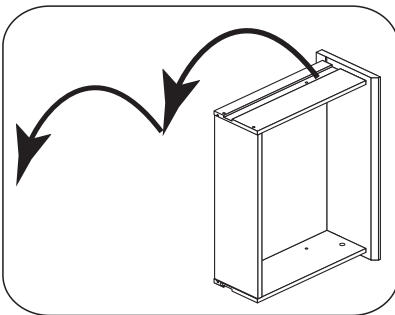
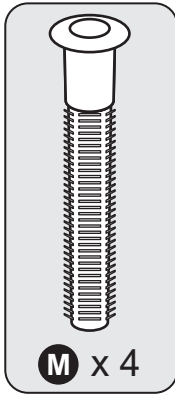


# 37



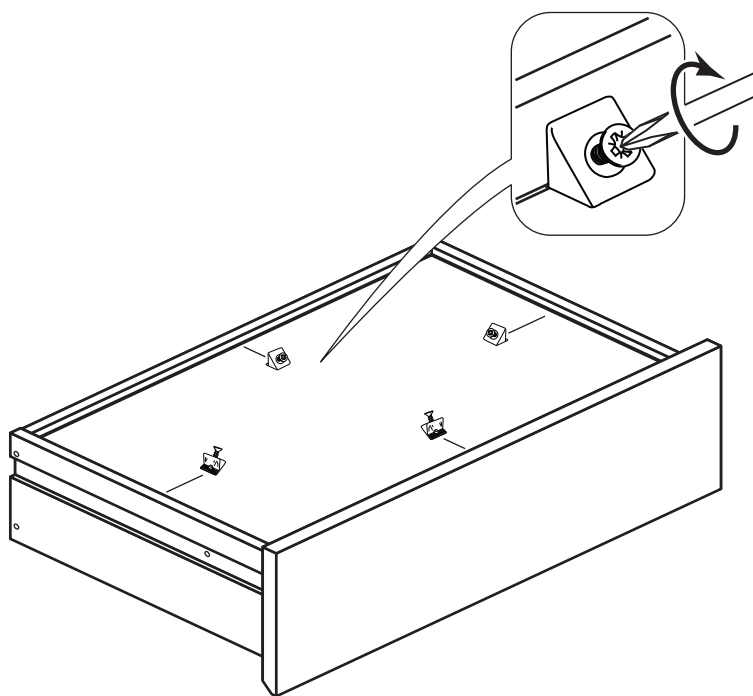
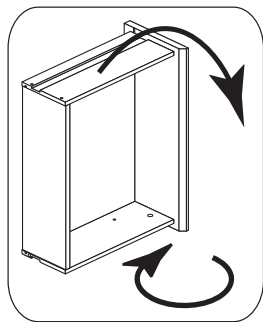
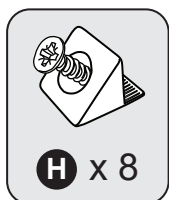
x 2

# 38



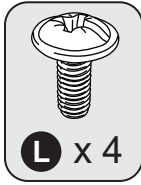
x 2

# 39

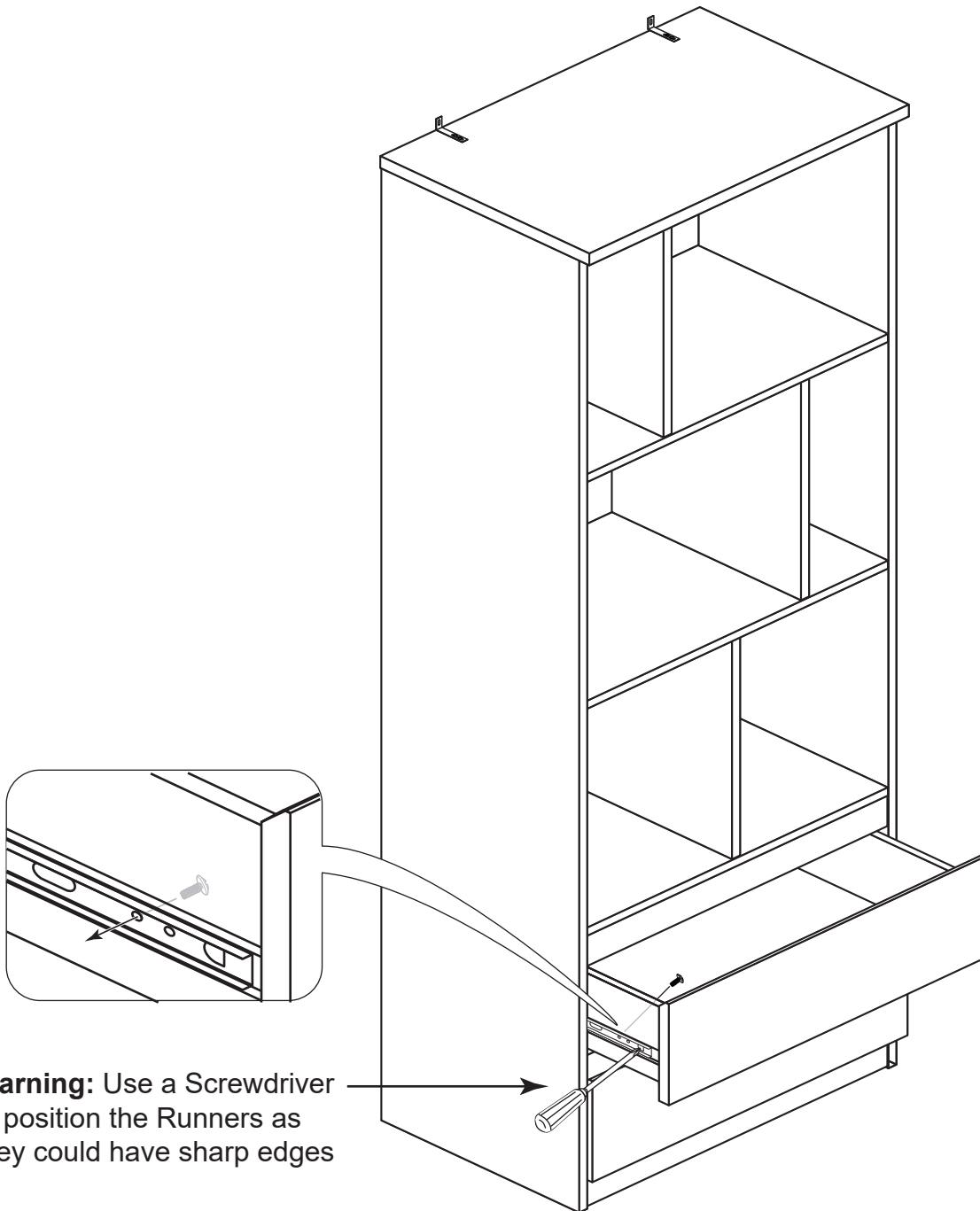


x 2

# 40



**Fitting Ball Bearing Runners**  
[www.youtube.com/watch?v=yG4xtiJJeSg](http://www.youtube.com/watch?v=yG4xtiJJeSg)

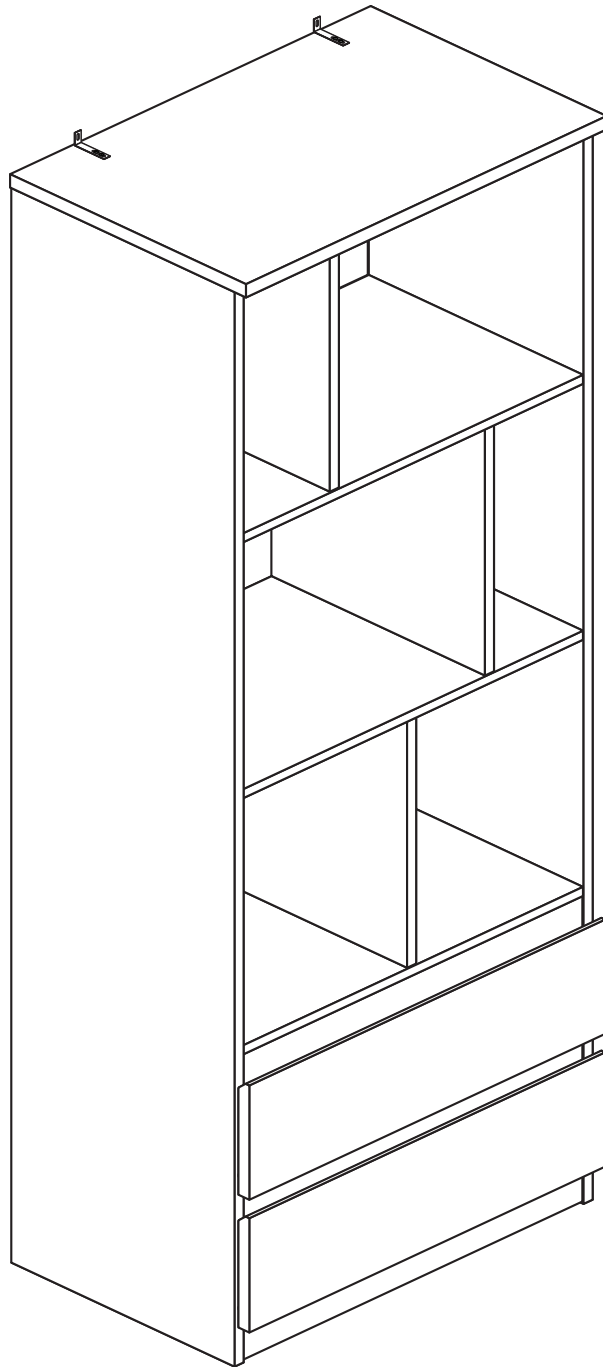


**Warning:** Use a Screwdriver to position the Runners as they could have sharp edges

Starting with the Bottom Drawer, slide both its Runners forward and locate the Drawer Sides between them, lining up the holes in the Drawer Sides with the 2nd 'threaded' holes in the Runners.

Working from the inside of the Drawer, insert 2 Screws through the Drawer Sides and out into the 2nd threaded hole in the Runner.

**Note:** Do not overtighten the Screws.  
If they catch on the runner you may need to loosen them slightly.



## **Assembly is complete**

Please remove any blue protective film from panel edges and clear protective film from panel surfaces