

Straight Slide

Assembly & User Instructions - Please keep for future reference 910/8453,910/8446



Warning

Age: 3+ years

Important - Please read these instructions fully before assembly or use

These instructions contain important information which will help you get the best from your product and ensure safe and correct assembly, use and maintenance.

If you need help or have damaged or missing parts, call the **Customer Helpline: 01291 650581**

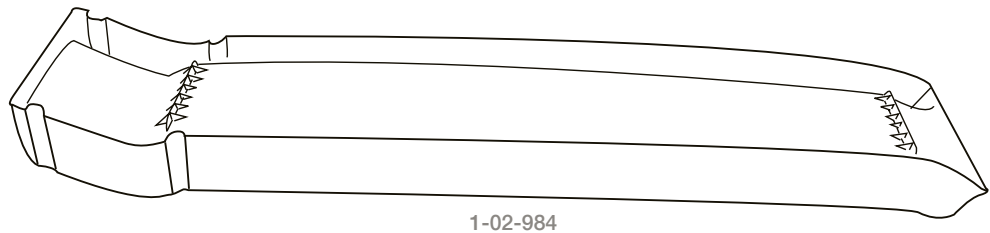
Contents

| | |
|-----------------------|---|
| Parts | 4 |
| Assembly Instructions | |
| Steps 1-3 | 5 |
| Steps 4-6 | 6 |
| Steps 7-9 | 7 |
| Steps 10-12 | 8 |
| Steps 13-15 | 9 |

Parts

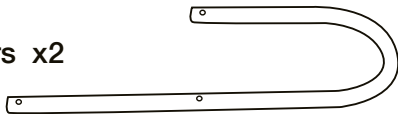
if you have damaged or missing parts,
call the **Customer Helpline: 01291 650581**

A Slide x1



1-02-984

B Handle Bars x2



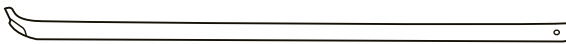
vpt 000436

C Stiles x2



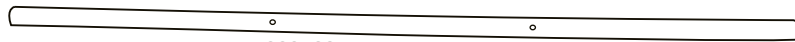
vpt 000437

D Connector Tubes x2



vpt 000438

E Base Tube x1



vpt 000439

F Steps x3



2-04-984

G Base Connectors x2



3-11-982

J Cap Nut x2



vpt 000498

M Screw x10



45 mm

vpt 000423

H Nuts x16



vpt 000421

K End Caps x2



3-01-984

N Screw x8



40 mm

vpt 000424

I Plastic Washers x2

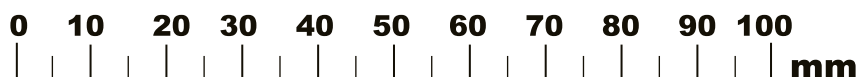
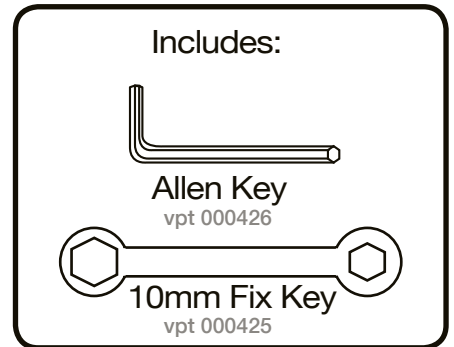


2-11-982

L Plastic Plug x2



1-11-982



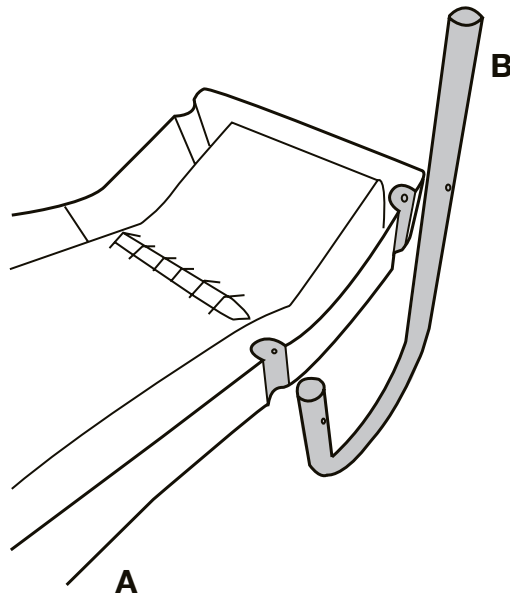
•To avoid scratches to metal pipes, please assemble on a soft surface.

Assembly Instructions

Step 1

Insert Handle Bars

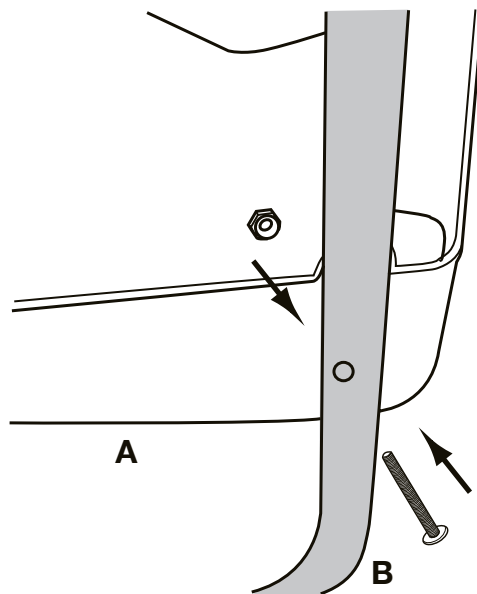
Insert handle bar (B) into the grooves on slide (A).



Step 2

Assemble Handle Bar

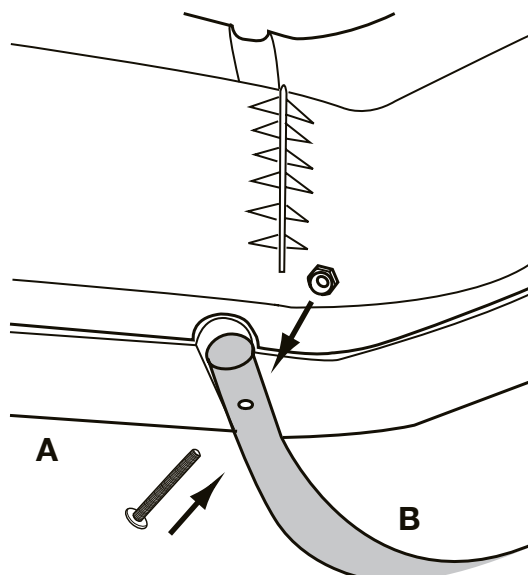
Fix rear hole with 40mm screw (N) and nut (H).



Step 3

Assemble Handle Bar

Fix front hole with 40mm screw (N) and nut (H).

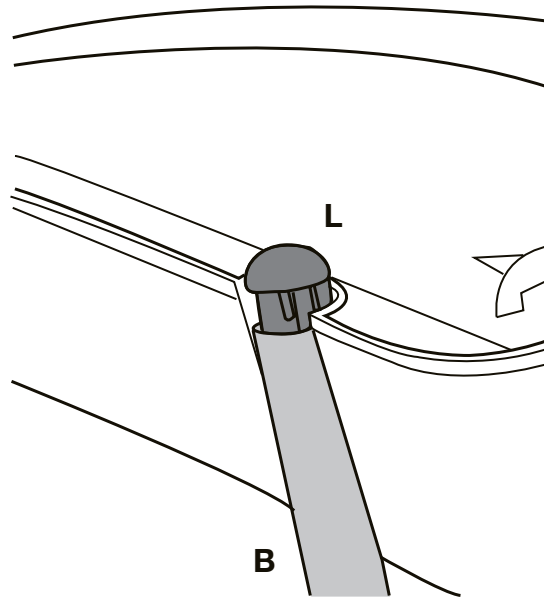


Assembly Instructions

Step 4

Assemble Plug

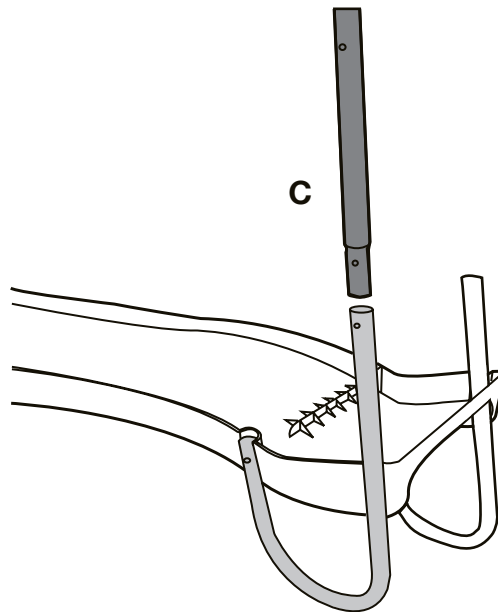
Insert plug (L) and repeat all operations on the other side.



Step 5

Assemble Stiles

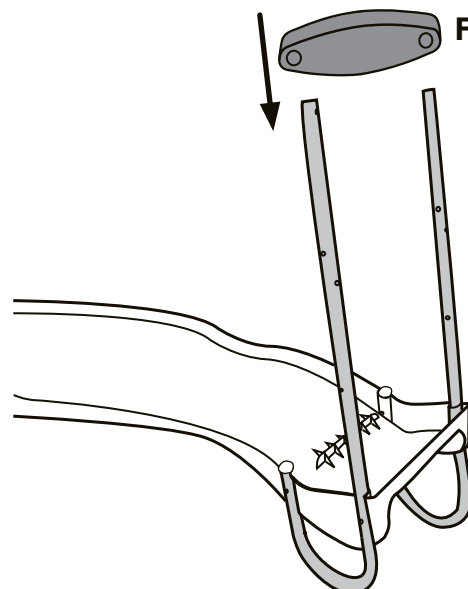
Insert stiles (C).



Step 6

Assemble First Step

Insert upper step (F).

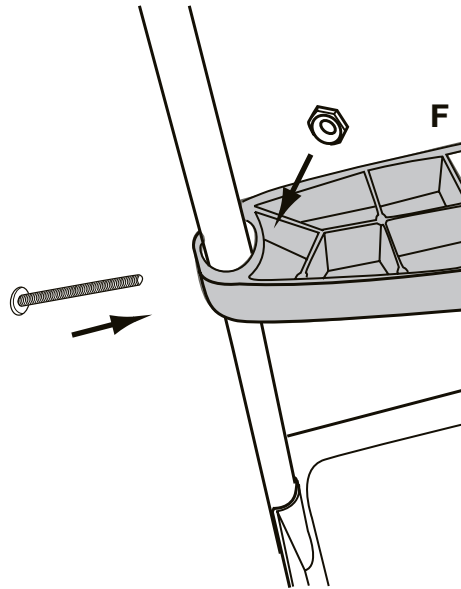


Assembly Instructions

Step 7

Fix Step

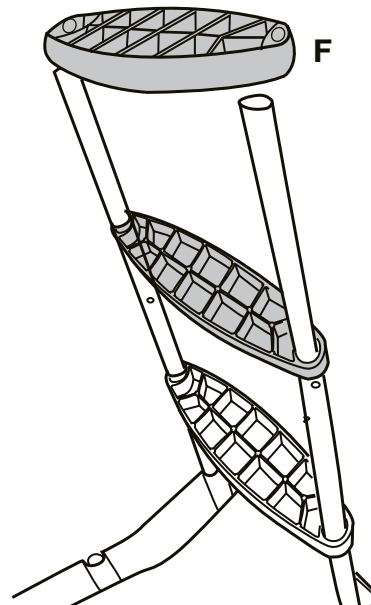
Fix upper step (F) with 45mm screw (M) and nut (H) on both sides.



Step 8

Assemble Steps

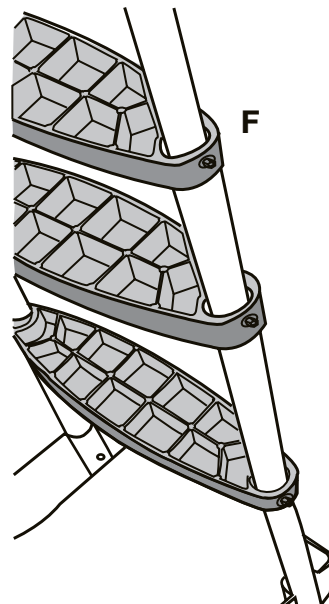
Insert middle and lower steps (F).



Step 9

Connect Handle Bars

Fix the steps (F) on both ends with 45mm screw (M) and nuts (H).

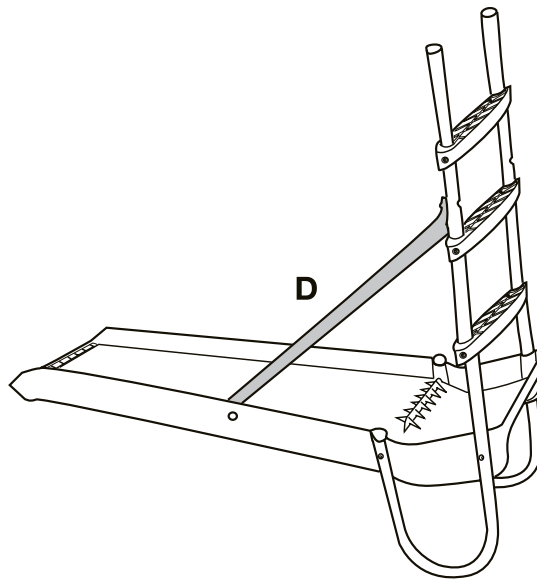


Assembly Instructions

Step 10

Assemble Connector Tube

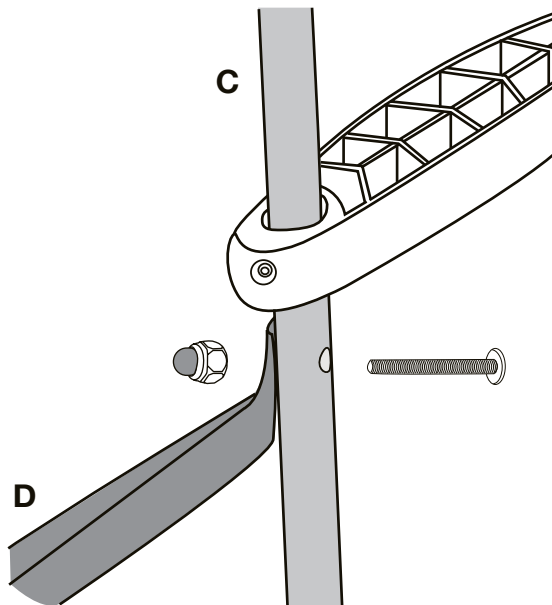
Place connector tube (D) in position.



Step 11

Fix Connector Tube

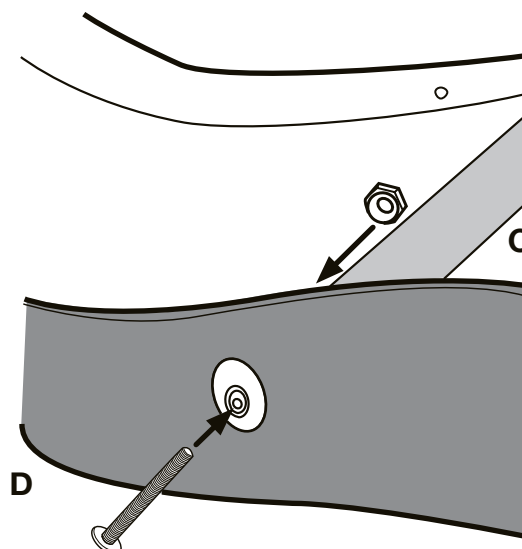
Fix connector tube (D) on stile (C) with 40mm screw (N) and cap nut (J).



Step 12

Fix Connector Tube

Fix connector tube (D) on slide (C) with plastic washer (I), screw (N) and nut (H) and repeat step 10-12 on the other side.

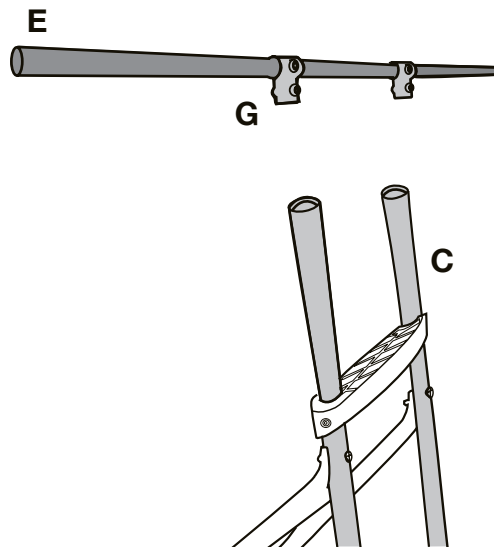


Assembly Instructions

Step 13

Assemble Base

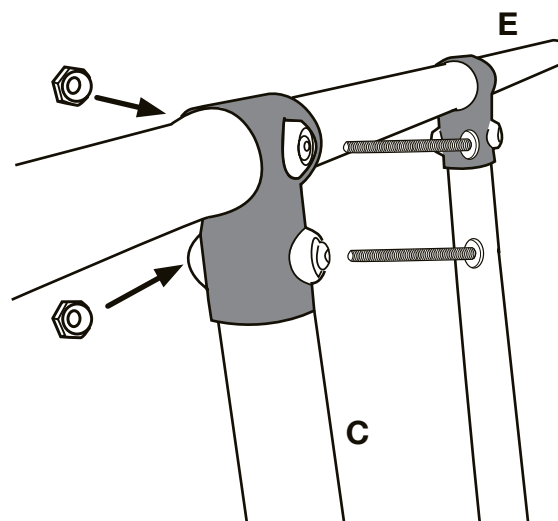
Fit base connectors (G) on base tube (E) and fit assembly on stiles (C).



Step 14

Fix Base

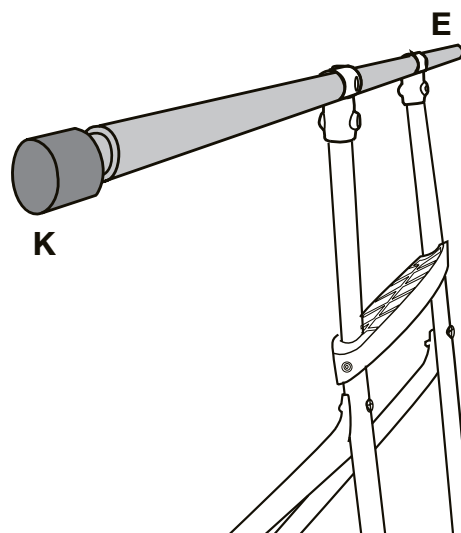
Fix assembly with 45mm screws (M) and nuts (H).

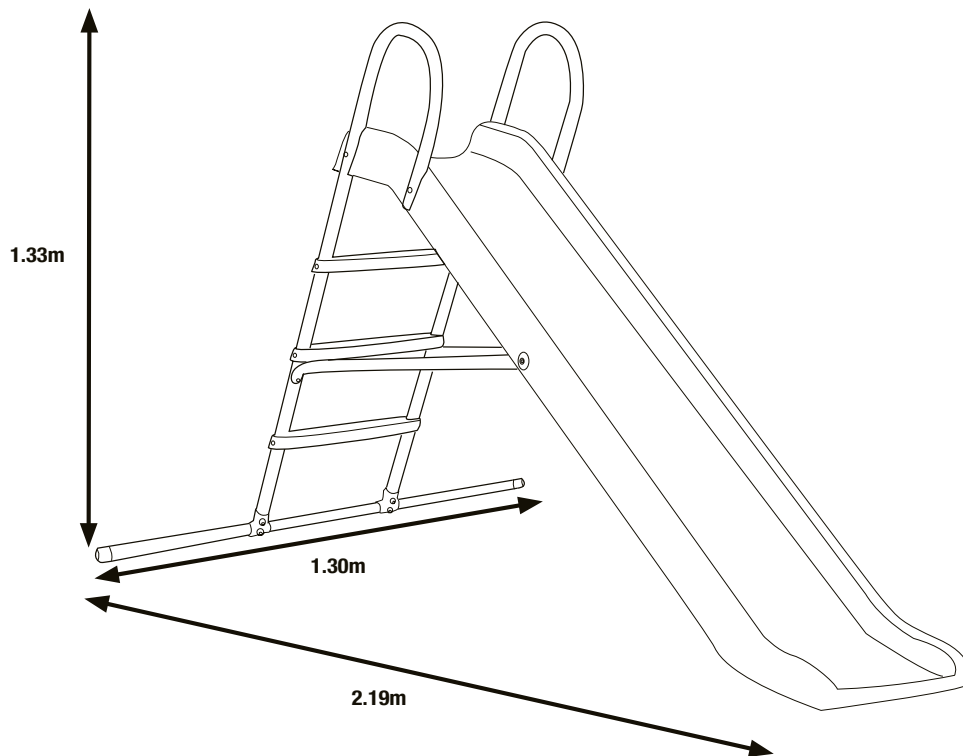


Step 15

Assemble End Caps

Assemble end caps (K) in both sides of base tube (E).





- Remove all packaging materials such as: bags, bands & cartons.
- Side bars are not for standing or climbing on.
- WARNING! domestic use.
- WARNING! For indoor/outdoor use
- WARNING! Max load 50 kg.
- WARNING! Recommended age of use: 3 years and above.
- Place the toy on a level surface at least 2 m from any structure or obstruction, such as fence, garage, house, overhanging branches, laundry lines or electrical wires.
- The toy shall not be installed over concrete, asphalt or any other hard surface.
- Do not face slide-shute directly towards the sun when in use.
- Check toy before every use for any damage or missing parts.
- Check connections regularly for continued security and for any evidence of deterioration or hazards.
- Replace, if required, with suitable & new parts.
- Failure to do so may result in an injury or fall.
- Adult assembly required.
- Adult supervision is required at all times
- Please keep this instruction sheet for future reference.



If you need help or have damaged or missing parts, call the **Customer Helpline: 01291 650581**
Produced for Chad Valley Toys. Country of origin: Israel.
Argos LTD Address: 488 - 499 Avebury Boulevard, Central Milton Keynes, MK9 2NW.
www.argos.co.uk/chadvalley