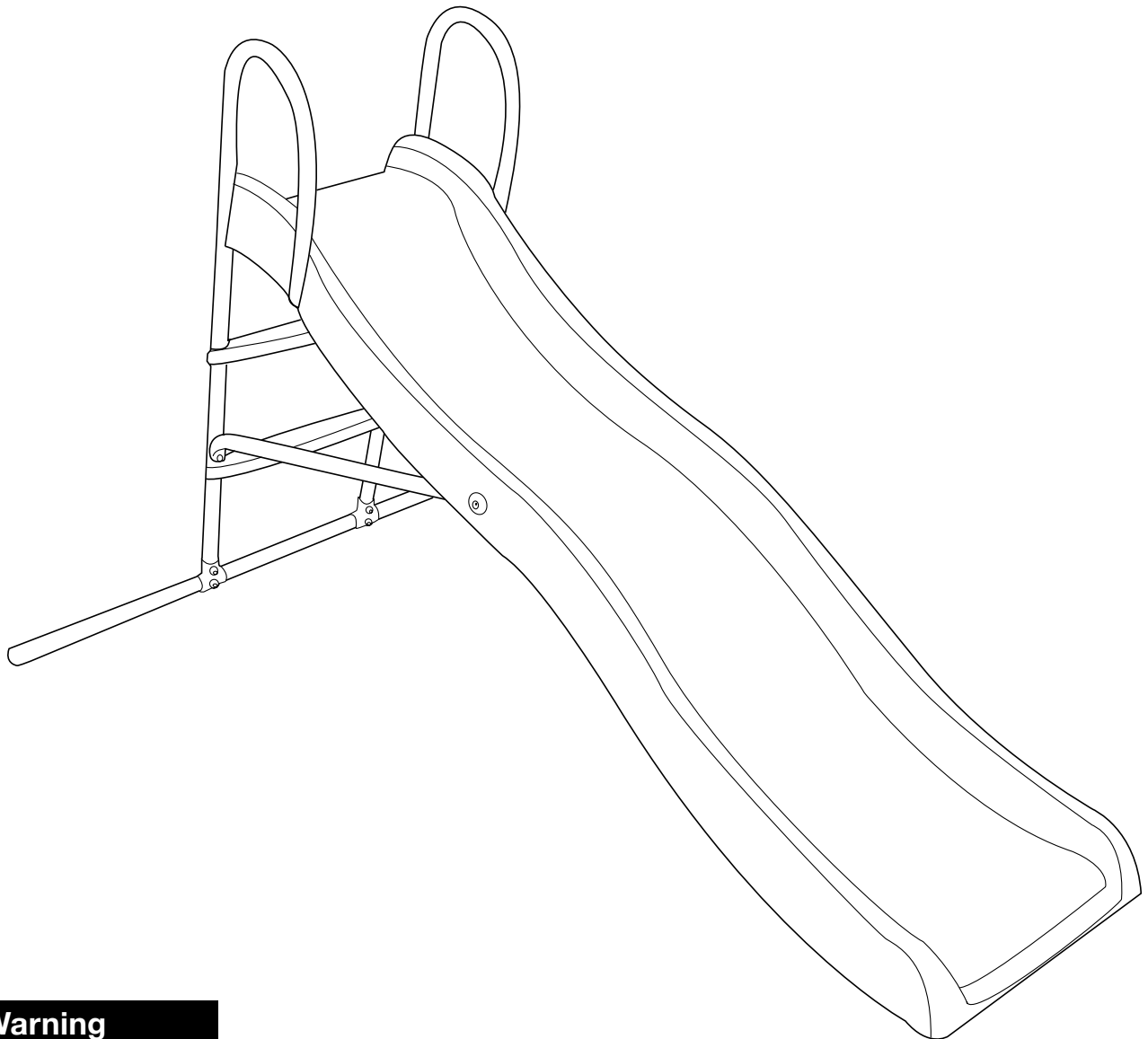


Wavy Slide

Assembly & User Instructions - Please keep for future reference

9108408



Warning

Age: 3+ years

Important - Please read these instructions fully before assembly or use

These instructions contain important information which will help you get the best from your product and ensure safe and correct assembly, use and maintenance.

If you need help or have damaged or missing parts, call the **Customer Helpline: 01291 650581**

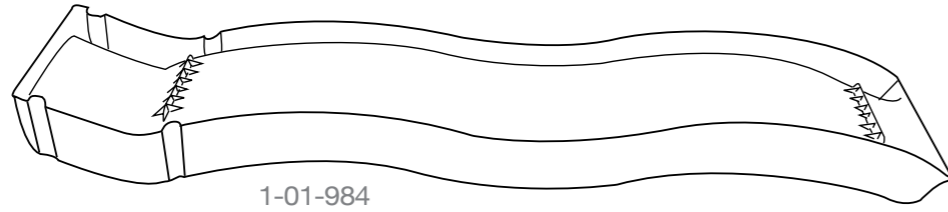
Contents

Parts	4
Assembly Instructions	
Steps 1-3	5
Steps 4-6	6
Steps 7-9	7
Steps 10-12	8
Steps 13-15	9

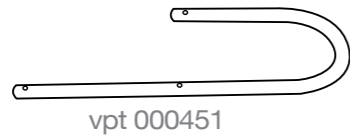
Parts

if you have damaged or missing parts,
call the **Customer Helpline: 01291 650581**

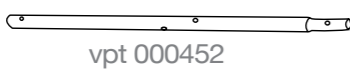
A Slide x1



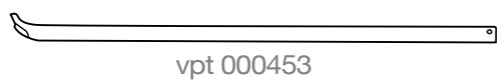
B Handle Bars x2



C Stiles x2



D Connector Tubes x2



E Base Tube x1



F Steps x2



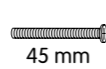
G Base Connectors x2



J Cap Nut x2



M Screw x8



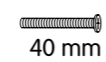
H Nuts x14



K End Caps x2



N Screw x8



I Plastic Washers x2

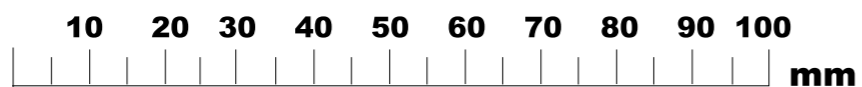
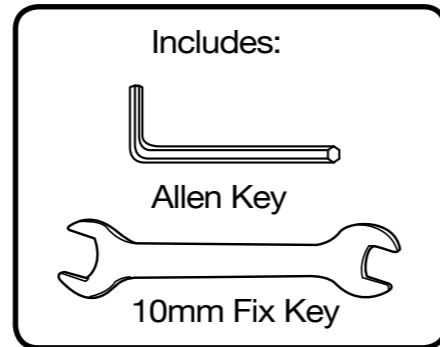


L Plastic Plug x2



2-11-982

1-11-982



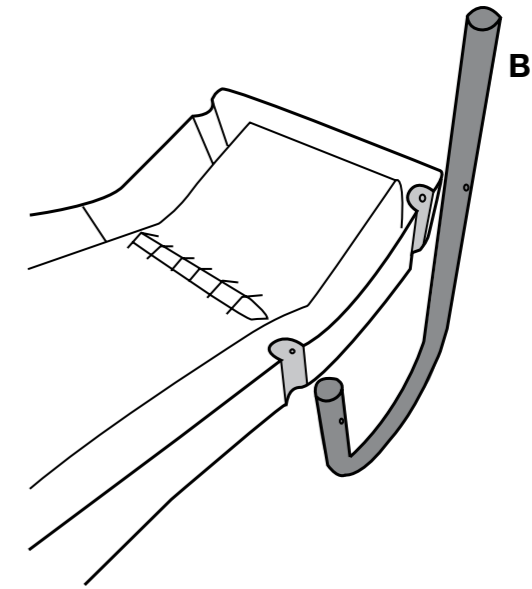
*Some tubes may contain another tube inside them. Please check all tubes before assembly.

Assembly Instructions

Step 1

Insert Handle Bars

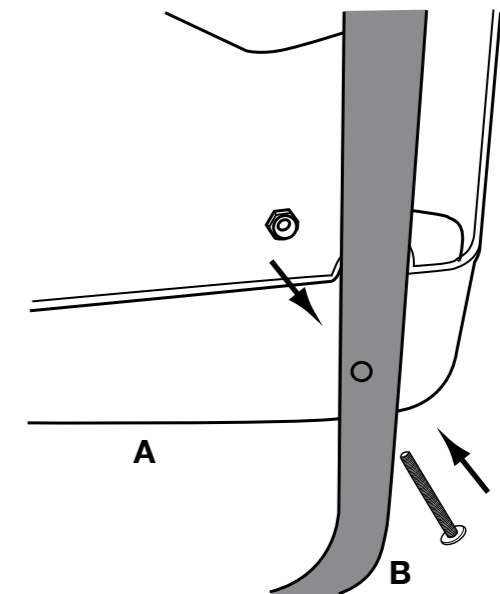
Insert handle bar (B) into the grooves on slide (A).



Step 2

Assemble Handle Bar

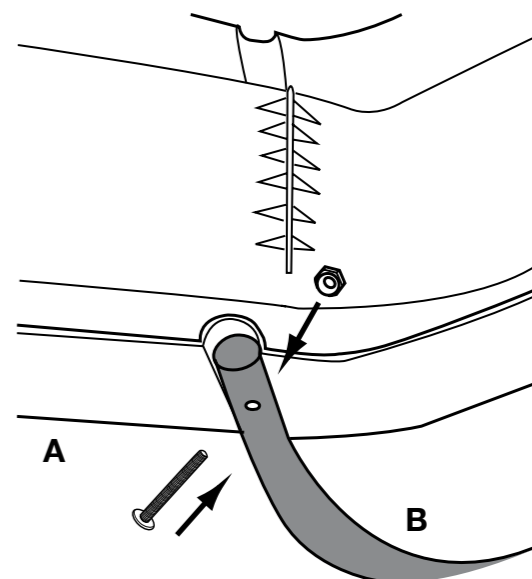
Fix rear hole with screw (N) and nut (H).



Step 3

Assemble Handle Bar

Fix front hole with screw (N) and nut (H).

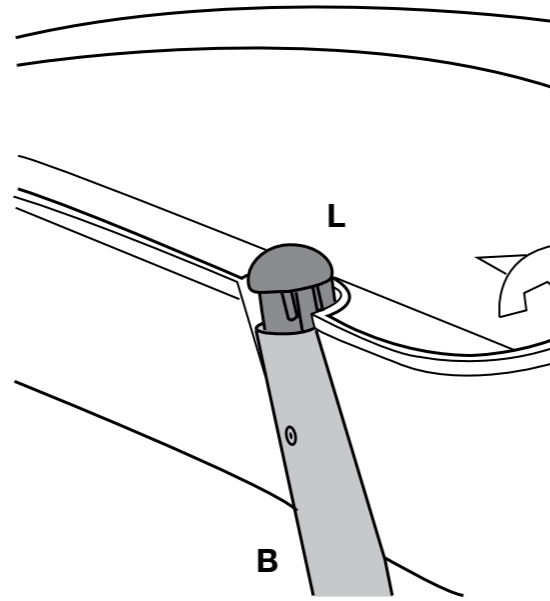


Assembly Instructions

Step 4

Assemble Plug

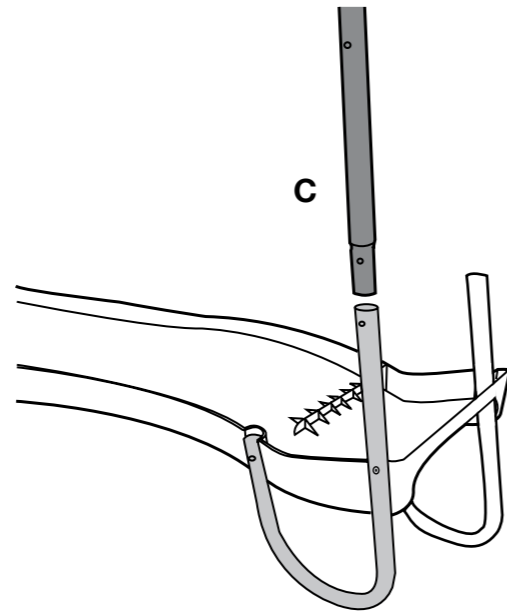
Insert plug (L) and repeat all operations on the other side.



Step 5

Assemble Stiles

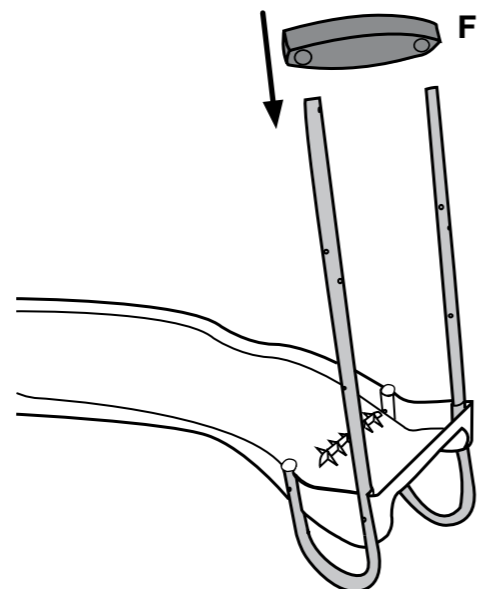
Insert stiles (C). On both handle bars. Be aware to set holes of both parts in correct lineup position.



Step 6

Assemble First Step

Insert upper step (F).

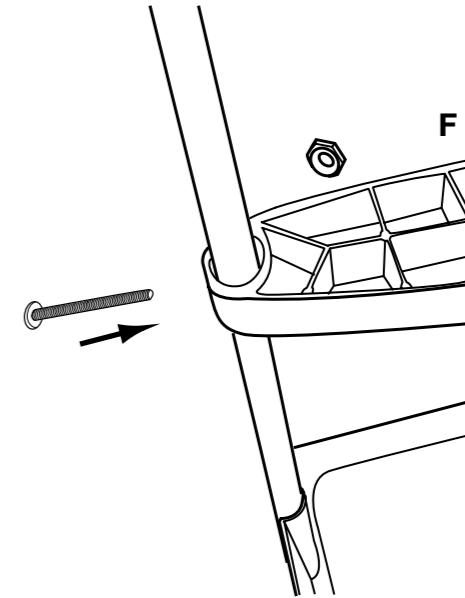


Assembly Instructions

Step 7

Fix Step

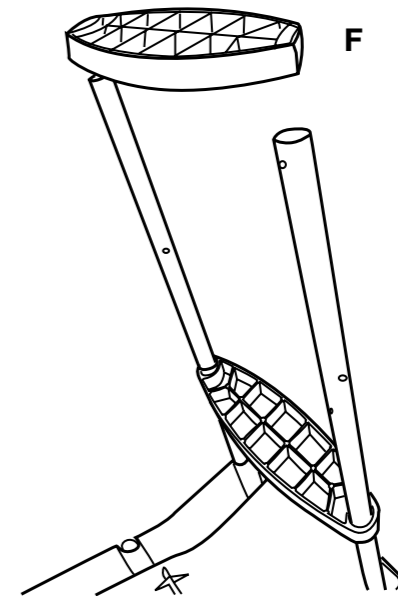
Fix upper step (F) with screw (M) and nut (H) on both sides.



Step 8

Assemble Steps

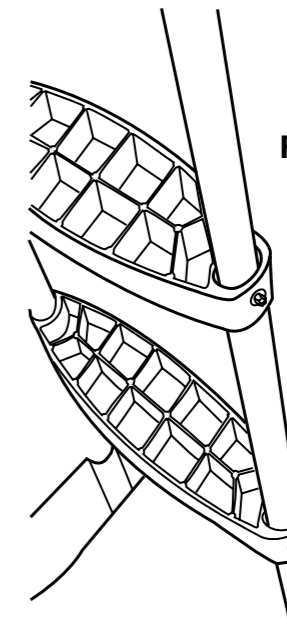
Insert middle and lower steps (F).



Step 9

Fix steps

Fix the steps (F) on both ends with screw (M) and nut (H).

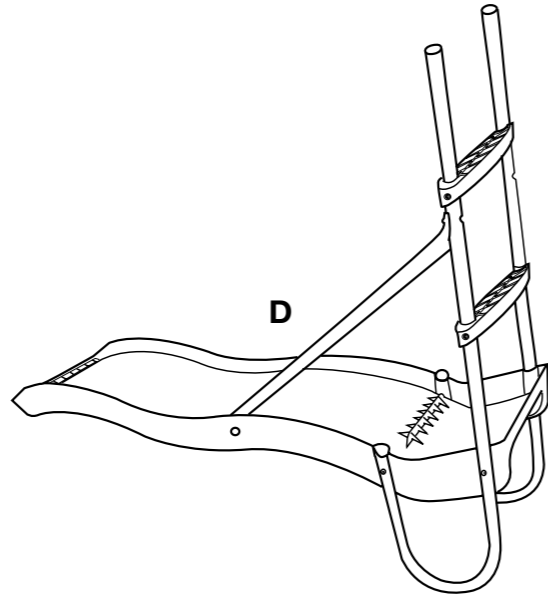


Assembly Instructions

Step 10

Assemble Connector Tube

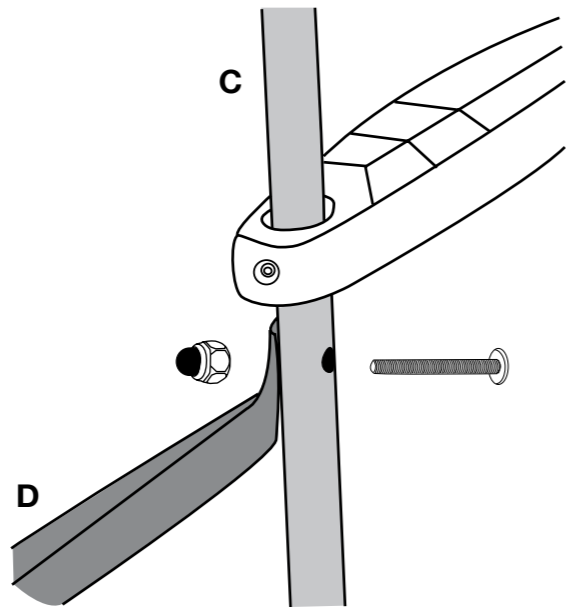
Place connector tube (D) in position.



Step 11

Fix Connector Tube

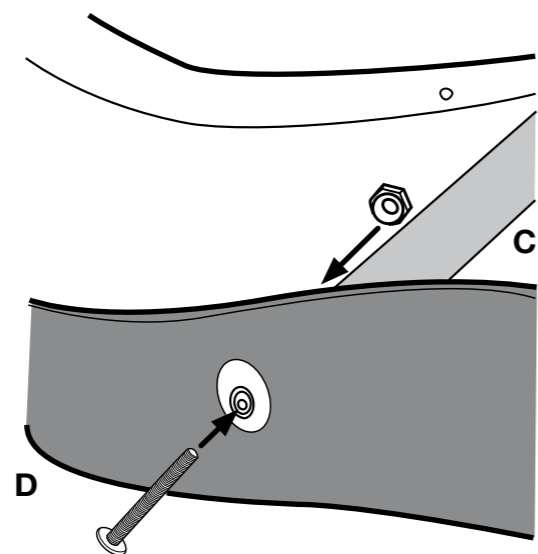
Fix connector tube (D) on stile (C) with screw (N) and cap nut (J).



Step 12

Fix Connector Tube

Fix connector tube (D) on stile (C) with plastic washer (I), screw (N) and nut (H) and repeat step 10-12 on the other side.

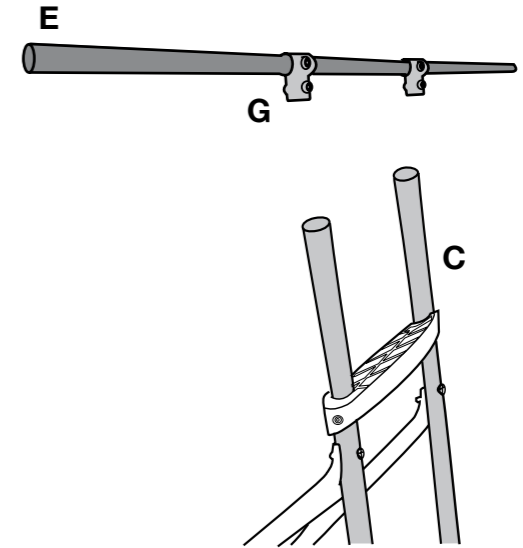


Assembly Instructions

Step 13

Assemble Base

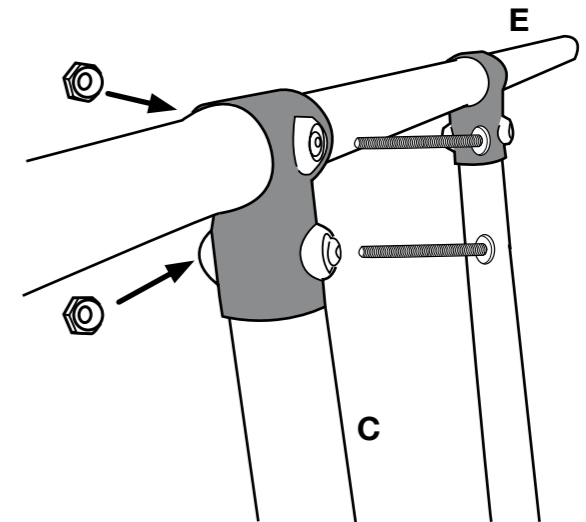
Fit base connectors (G) on base tube (E) and fit assembly on stiles (C).



Step 14

Fix Base

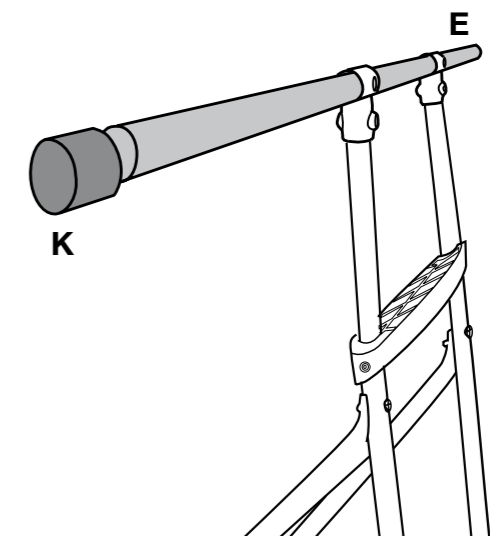
Fix assembly with screws (M) and nuts (H) to both sides.

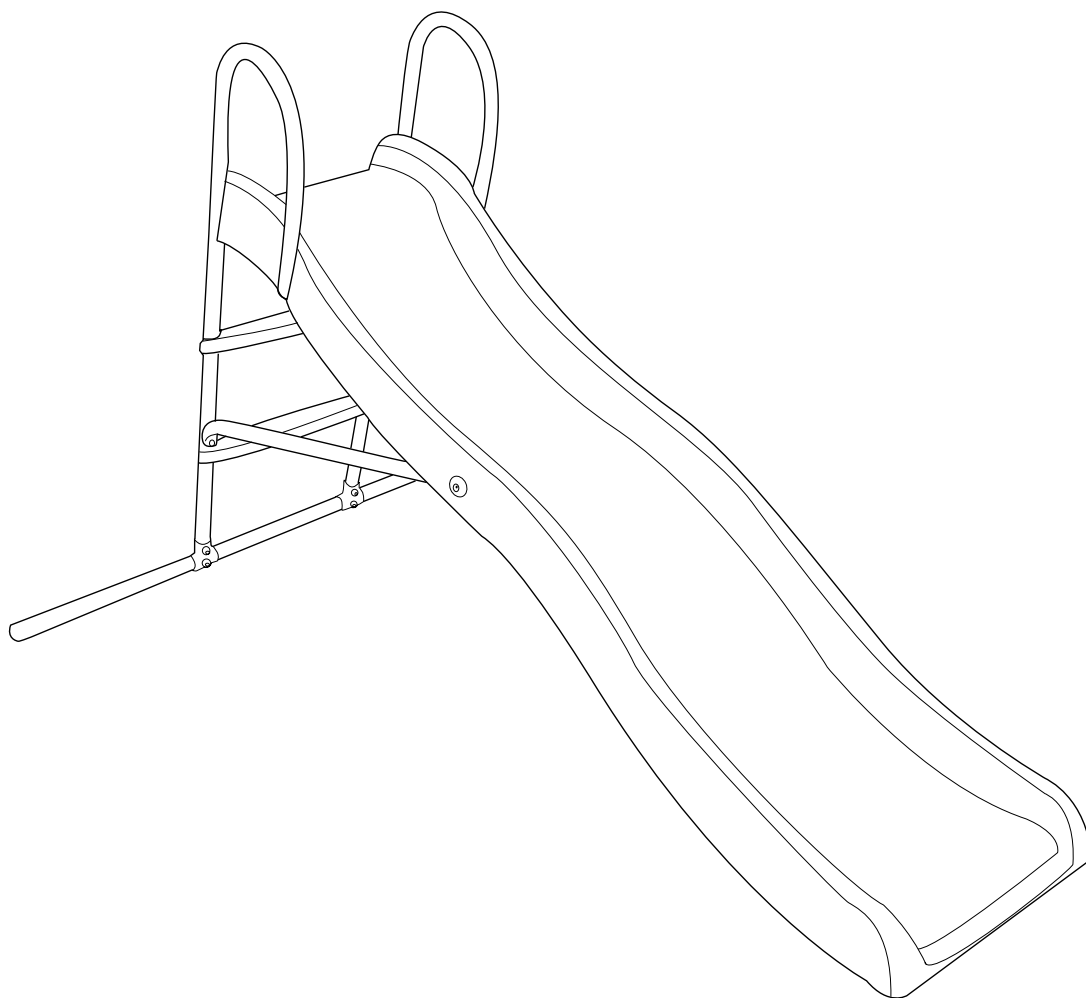


Step 15

Assemble End Caps

Assemble end caps (K) in both sides of base tube (E).





- WARNING! For domestic use only.
- WARNING! For indoor / outdoor use.
- WARNING! Max load 50 kg.
- WARNING! Recommended age of use: 3 years and above.
- Remove all packaging materials such as: bags, bands & cartons.
- Side bars are not for standing or climbing on.
- Place the toy on a level surface at least 2 m from any structure or obstruction, such as fence, garage, house, overhanging branches, laundry lines or electrical wires.
- The toy shall not be installed over concrete, asphalt or any other hard surface.
- Do not face slide-shute directly towards the sun when in use.
- Check regularly the toy before use.
- Check connections regularly for continued security and for any evidence of deterioration or hazards.
- Replace, if required, with suitable & new parts.
- Failure to do so may result in an injury or fall.
- Adult assembly required.
- Adult supervision is required at all times
- Please keep this instruction sheet for future reference.



*If you need help or have damaged or missing parts, call the **Customer Helpline: 01291 650581***
Produced for Chad Valley Toys. Country of origin: Israel.
Address: 488 - 499 Avebury Boulevard, Central Milton Keynes, MK9 2NW. www.argos.co.uk