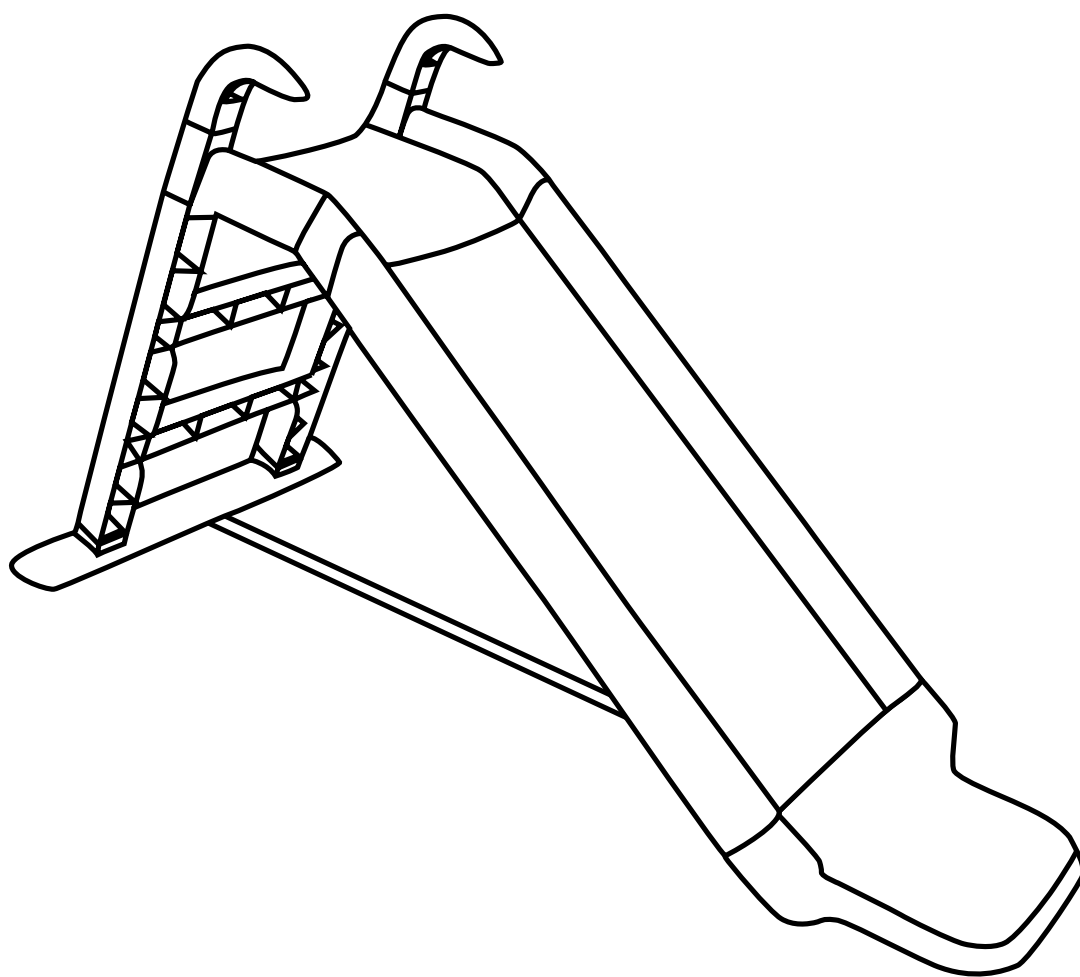


Children's Slide

Assembly & User Instructions - Please keep for future reference

9108381
9108398



Warning

Age: 24+ months

Important - Please read these instructions fully before assembly or use

These instructions contain important information which will help you get the best from your product and ensure safe and correct assembly, use and maintenance.

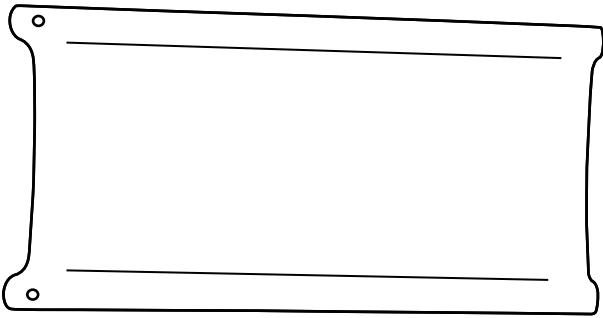
If you need help or have damaged or missing parts, call the **Customer Helpline: 01291 650581**

Contents

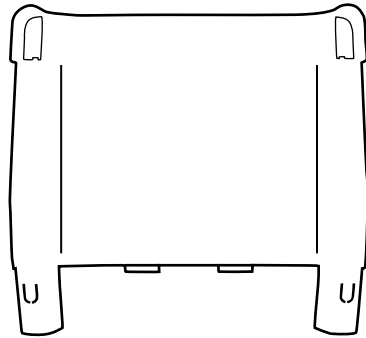
Parts	3
Assembly Instructions	
Steps 1-3	4
Steps 4-6	5
Step 7	6

Parts

if you have damaged or missing parts,
call the **Customer Helpline: 01291 650581**



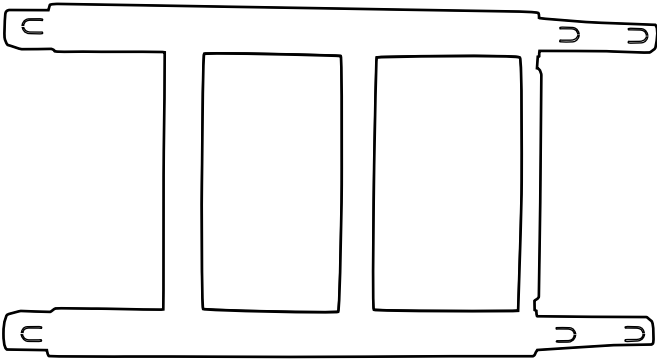
1 Chute x1
2-20-984



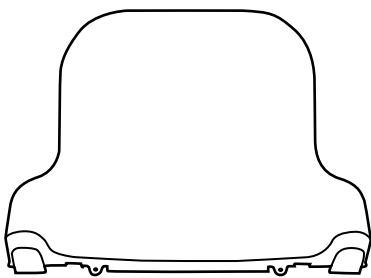
2 Starting section x1
1-20-984



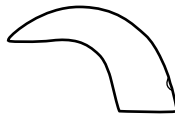
5 Base x1
6-20-984



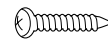
4 Ladder x1
5-20-984



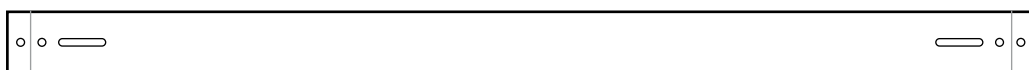
3 Extension x1
3-20-984



6 Handle Bars x2
4-20-984



Screw x4

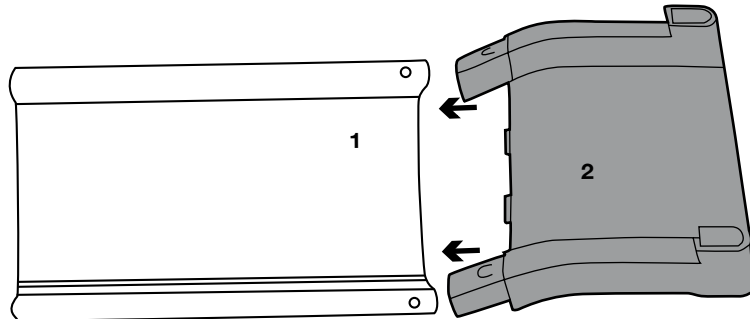


7 Strip x1
vpt000546

Assembly Instructions

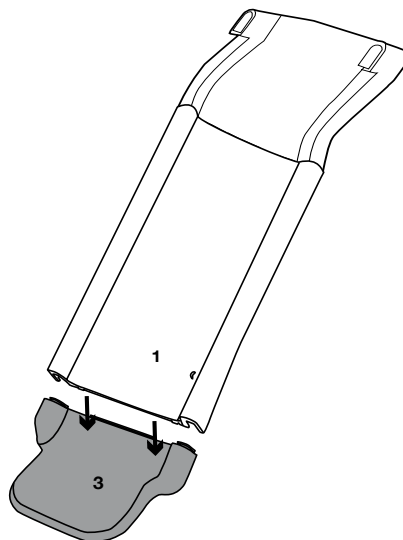
Step 1

Connect the starting section to the chute.



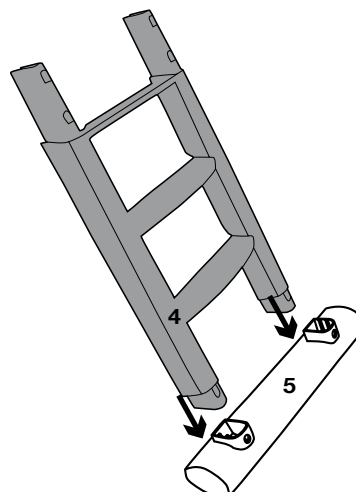
Step 2

Connect the extension part to the chute.



Step 3

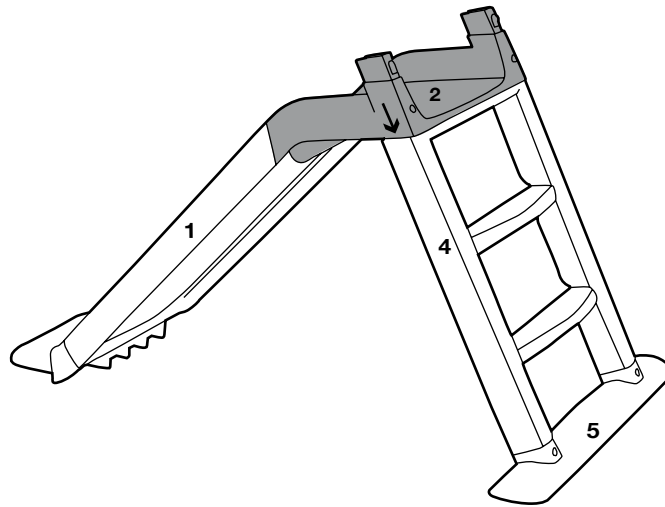
Connect the ladder into the base.



Assembly Instructions

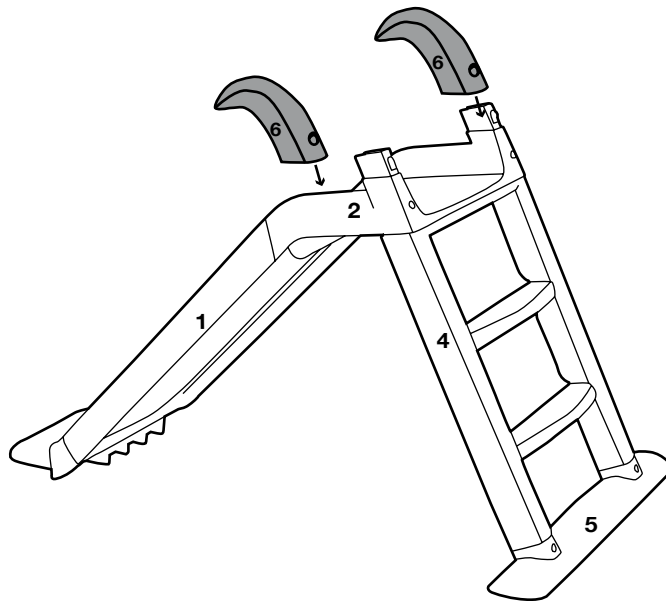
Step 4

Click the start section to the ladder.



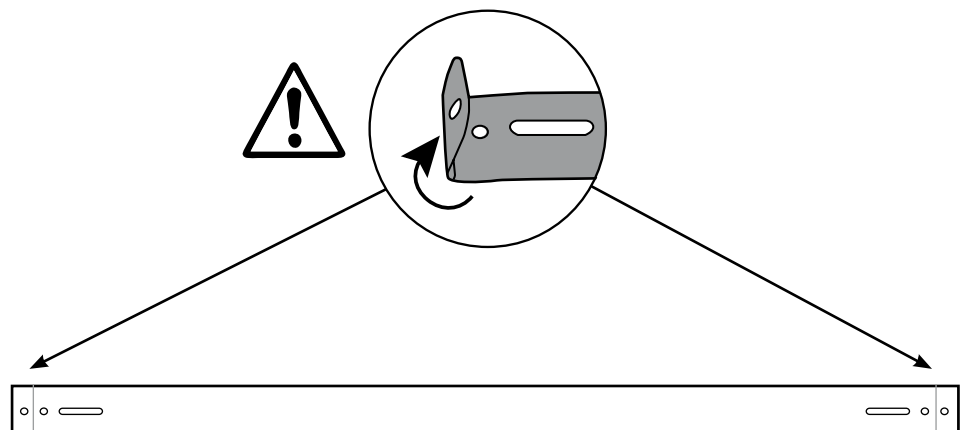
Step 5

Connect handle bars.



Step 6

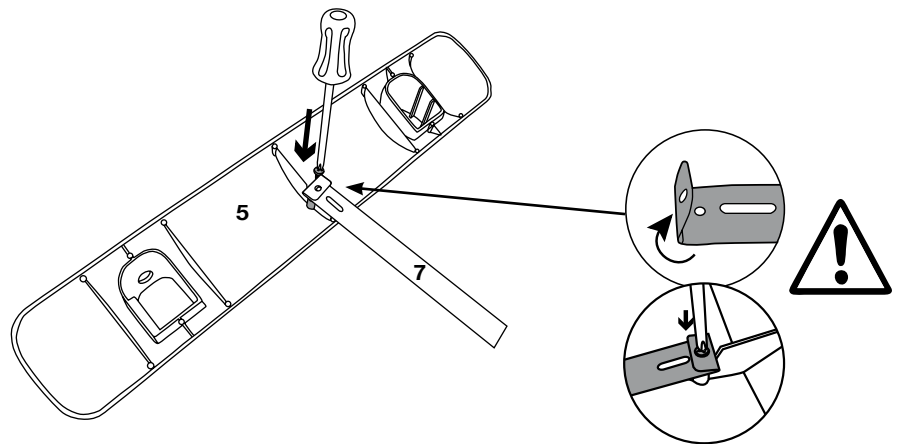
Double fold the strip before introducing the screw.



Assembly Instructions

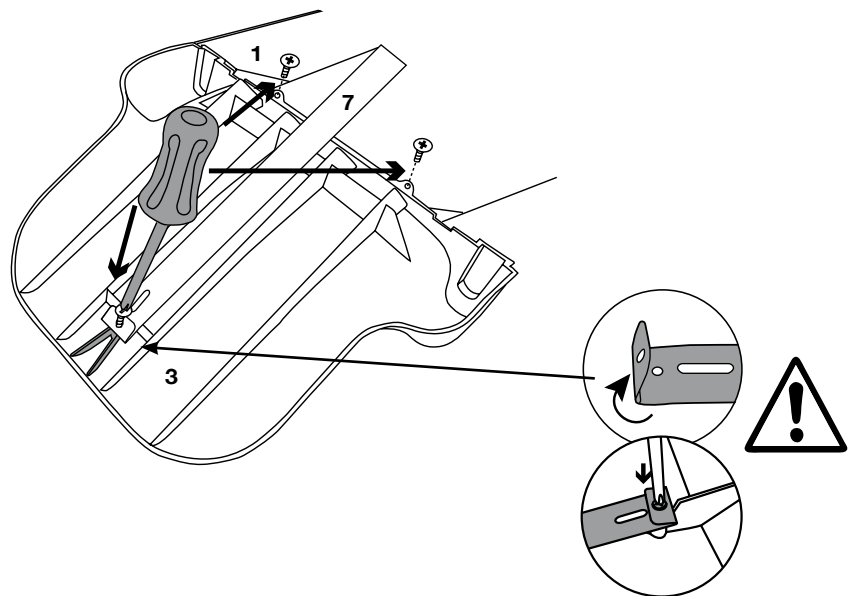
Step 7

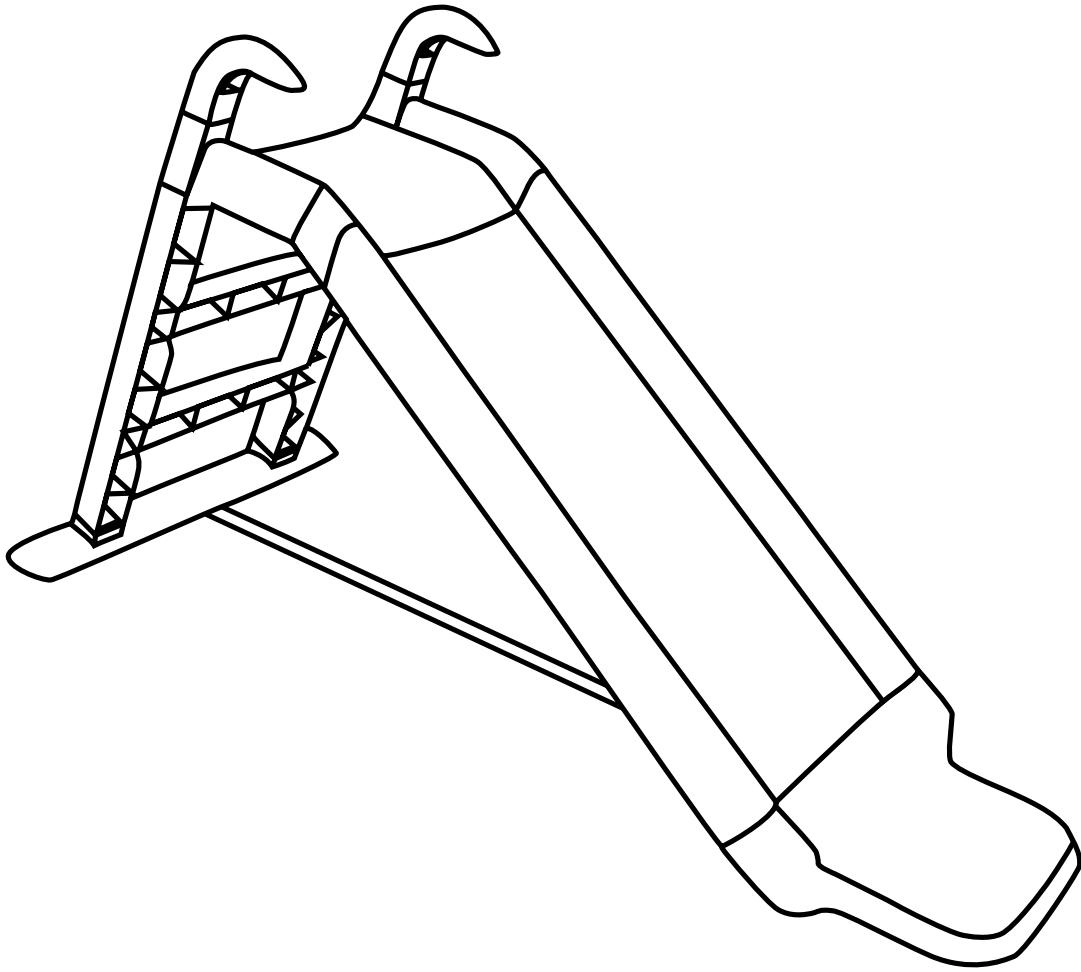
Assemble base-strip on the bottom of the ladder base.



Step 8

Assemble the screws connecting extension to chute.
Assemble free screw at end of strip to the hole in the extension.





- Warning! For Domestic use only.
- Warning! Max user weight: 30 kg.
- Warning! For indoor / outdoor use.
- Warning! 24+ months.
- Remove all packaging materials such as: bags, & cartons.
- Place the toy on a level surface at least 2 mt from any structure or obstruction, such as fence, garage, house, overhanging branches, laundry lines or electrical wires.
- The toy shall not be installed over concrete, asphalt or any other hard surface.
- Do not face slide-chute directly towards the sun when in use.
- Check regularly the toy before use.
- Check connections regularly for continued security and for any evidence of deterioration or hazards.
- Replace, if required, with suitable & new parts.
- Failure to do so may result in an injury or fall.
- Adult assembly required.
- Adult supervision is required at all times
- Please keep this instruction sheet for future reference.



*If you need help or have damaged or missing parts, call the **Customer Helpline: 01291 650581***

Produced for Chad Valley Toys. Country of origin: Israel.

Address: Argos Ltd., 489 - 499 Avebury Boulevard, Central Milton Keynes, MK9 2NW.