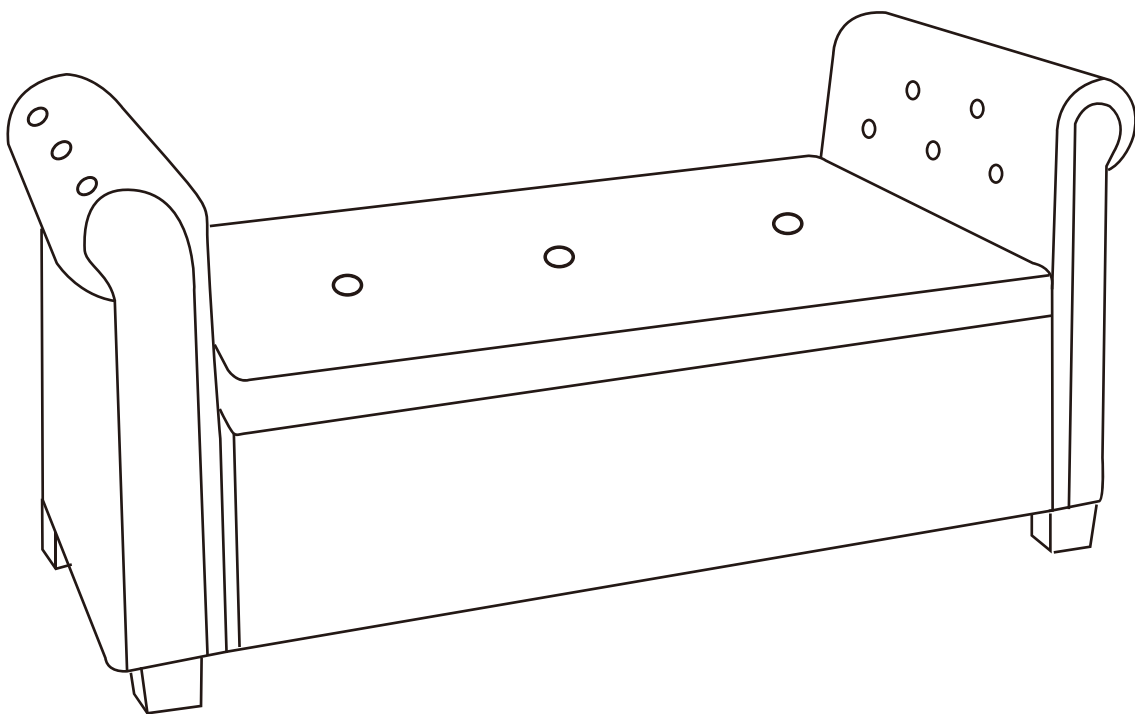


Penelope Ottoman



Spare Parts

 www.argos-support.co.uk

 help@ClickSpares.co.uk

 0370 112 1928

Customer support

 0345 640 2020

Safety and Care Advice

Product Details

SILVER CRUSHED VELVET PENELOPE OTTOMAN 899/8190

IMPORTANT, RETAIN FOR FUTURE REFERENCE: READ CAREFULLY.

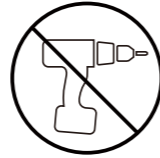
- Keep children and animals away from the work area, small parts could choke if swallowed.

- Make sure you have enough space to layout the parts before starting.

- This product has been constructed to be used in the domestic environment only and not for commercial purposes.

- Assemble the item as close to its final position (in the same room) as possible.

- Assemble on a soft level surface to avoid damaging the unit or your floor.



- We do not recommend the use of power drill/drivers for inserting screws as this could damage the unit. Only use hand screwdrivers.

- Parts of the assembly will be easier with 2 people.

- Dispose of all packaging carefully and responsibly.

Care and maintenance

- Only clean using a damp cloth and mild detergent. Do not use abrasive cleaners.

- Use a dry cloth to clean the product, furniture polish is not recommended.

- From time to time check that there are no loose screws, nuts or bolts. If there are please re-tighten.

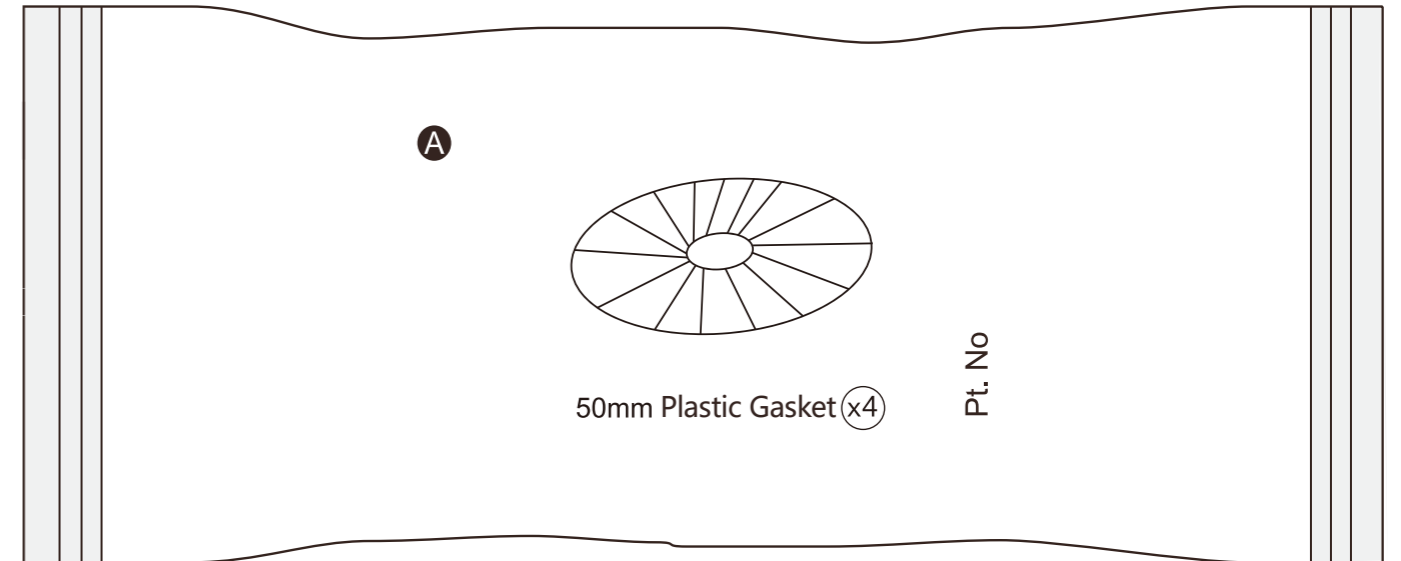
- This product should not be discarded with household waste. Take to your local authority waste disposal centre.

Additional Guidance

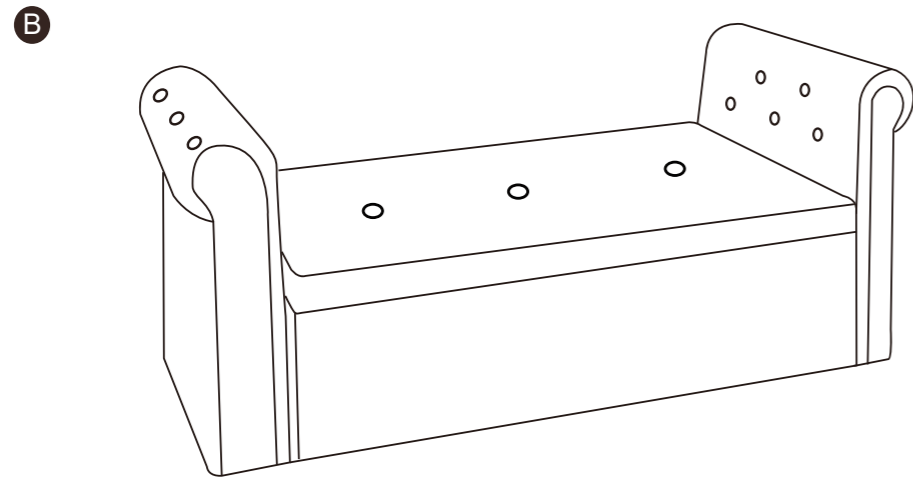
- Regularly check and ensure that all bolts and fittings are tightend properly.
- Maximum user weight 120kg
- This product is compliant BS 5852
- This product is compliant BS EN 12520

Fittings (Shown to scale)

Bag 1

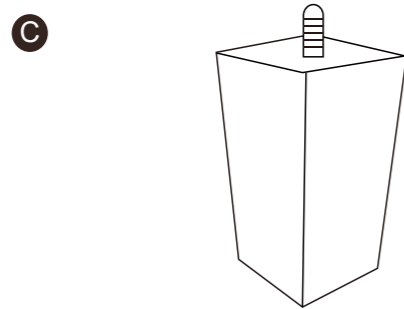


Hardware



Ottoman Body (x1)

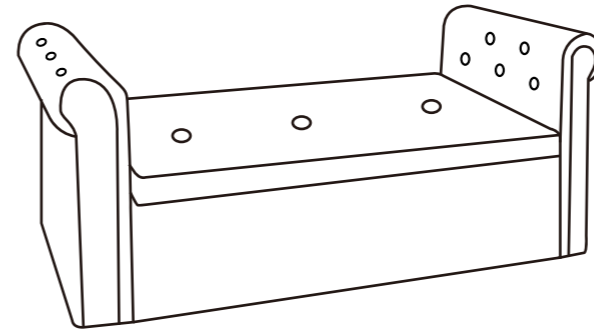
Pt. No



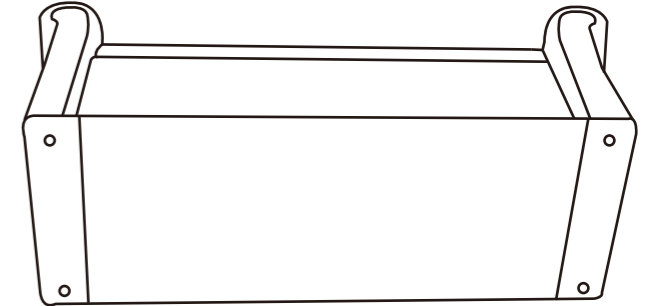
90mm Foot (x4)

Pt. No

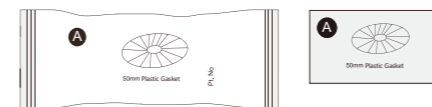
1



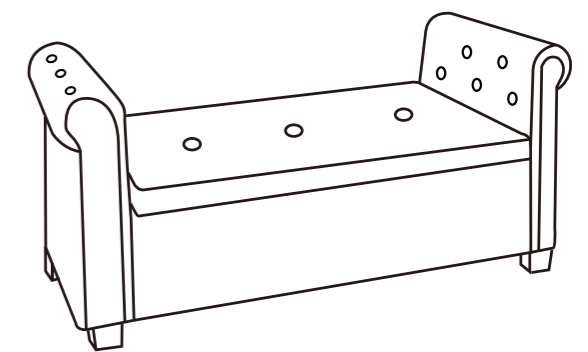
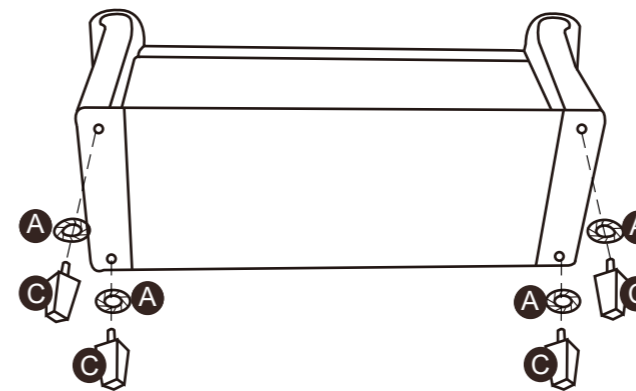
2



3



4



Assemble is complete