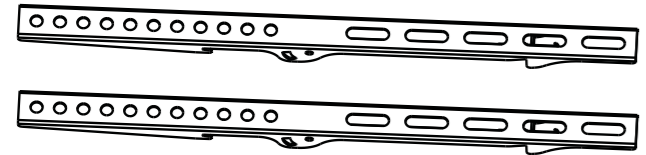
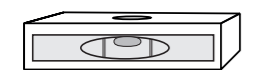


A

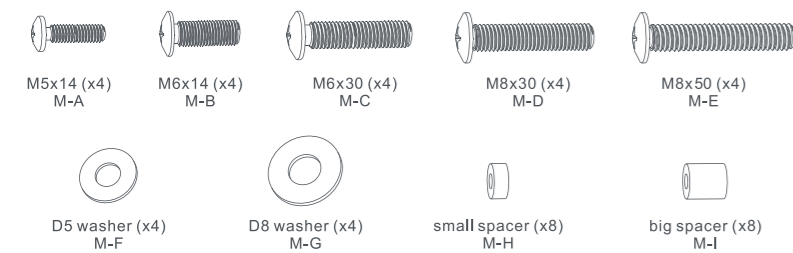


B



C

**Package M**

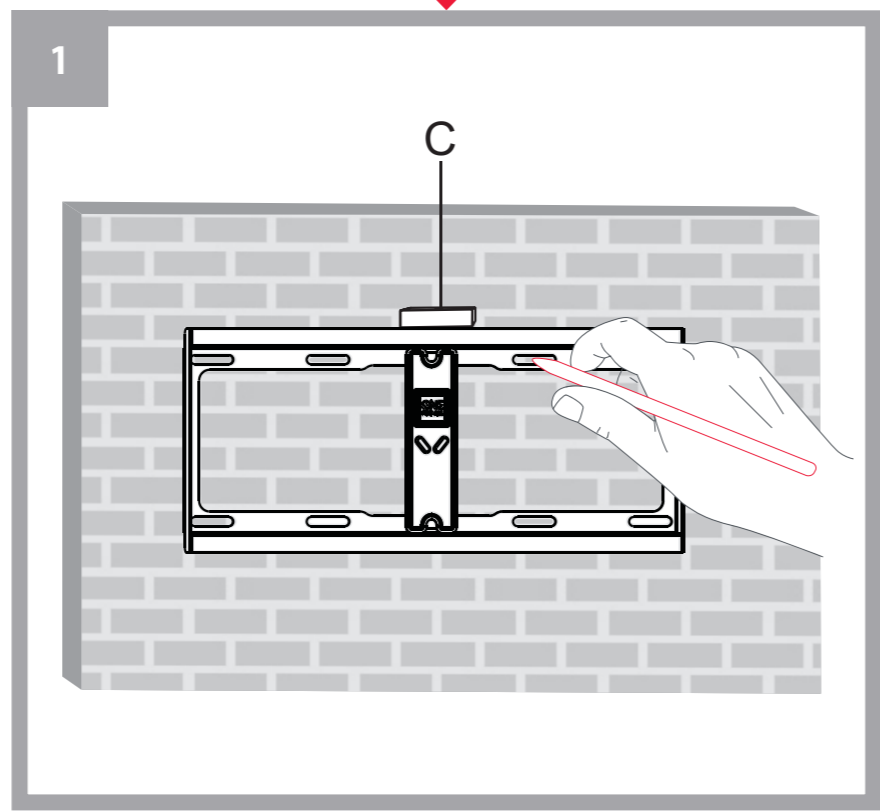


**Package W**



WM4411  
02-05-19  
Universal Electronics BV - Europe & International  
P.O. Box 3332, 7500 DH Enschede  
The Netherlands  
RDN 1010519

**START**

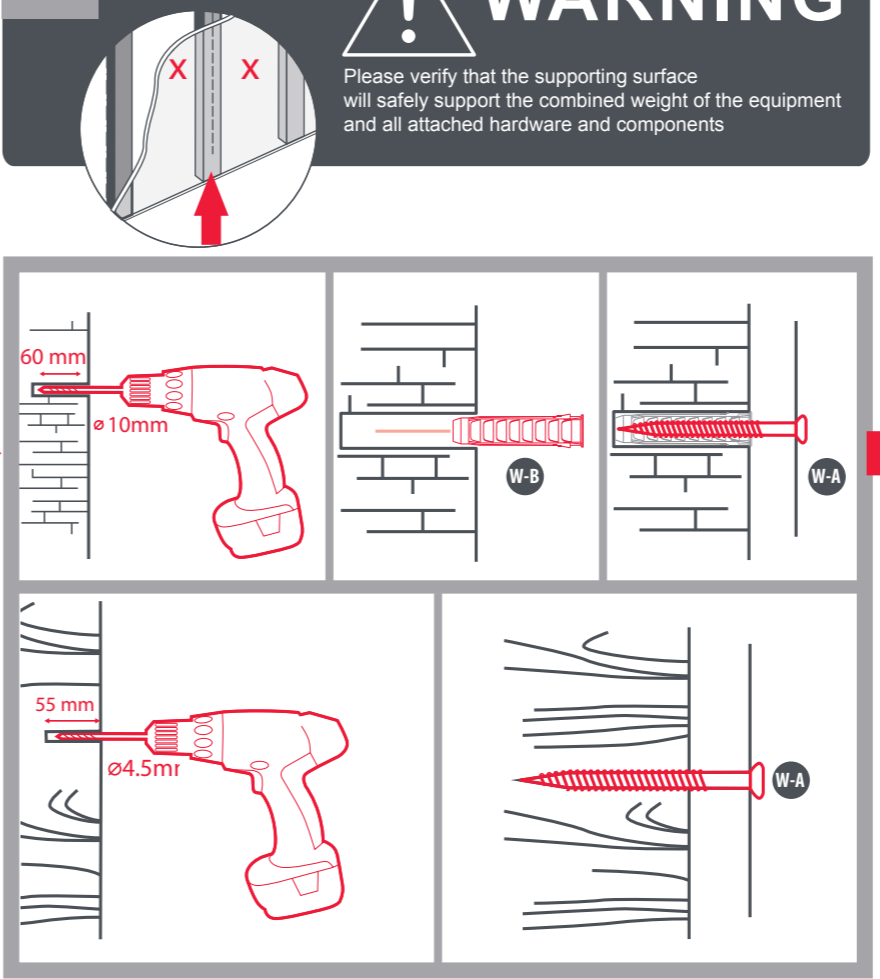


1

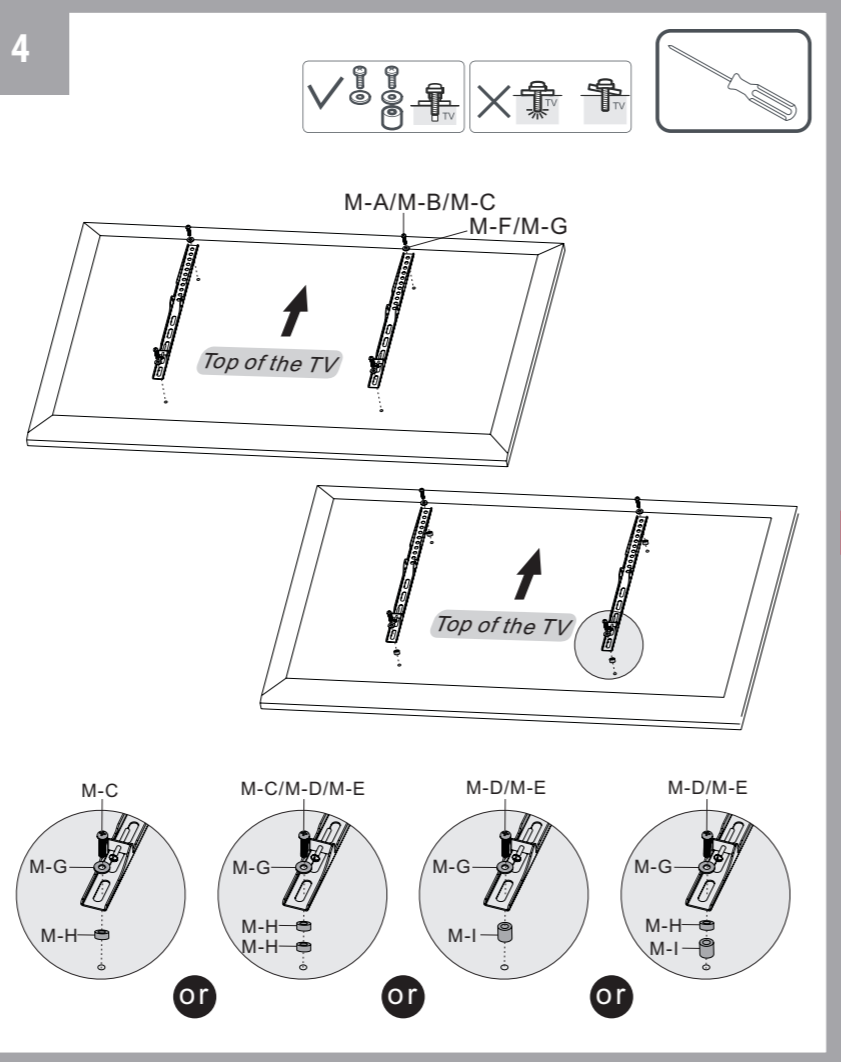
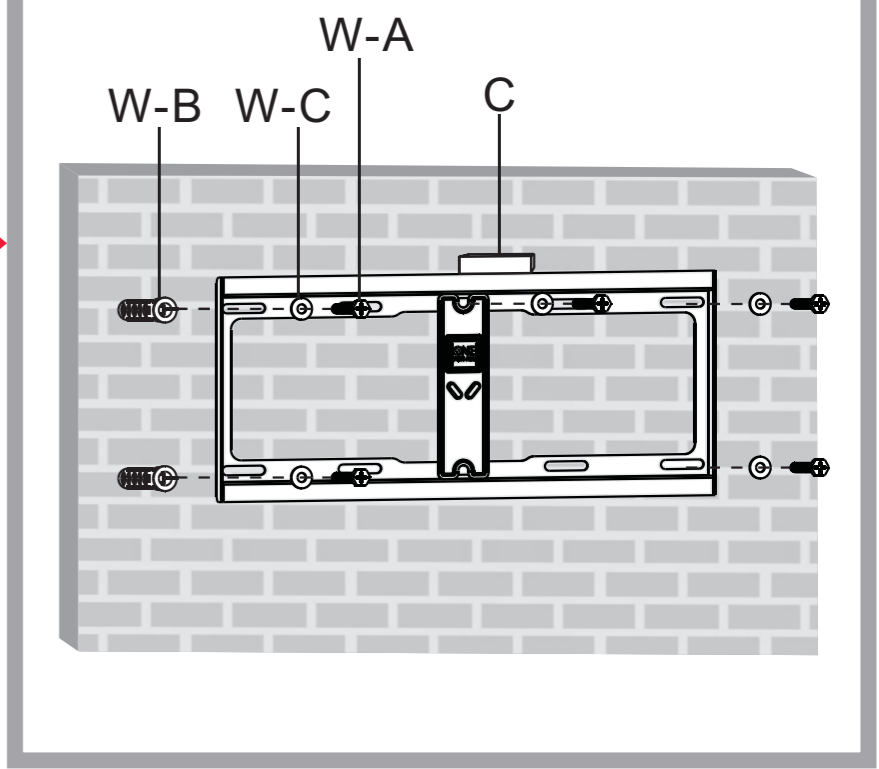
2

**WARNING**

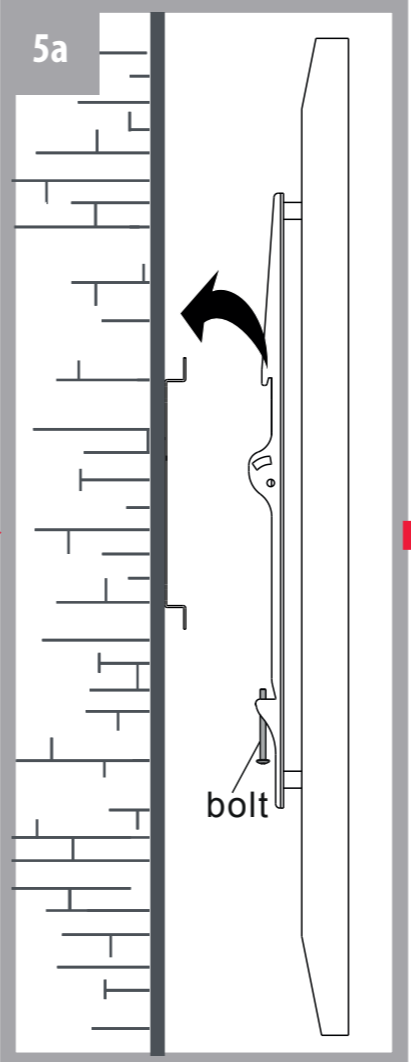
Please verify that the supporting surface will safely support the combined weight of the equipment and all attached hardware and components



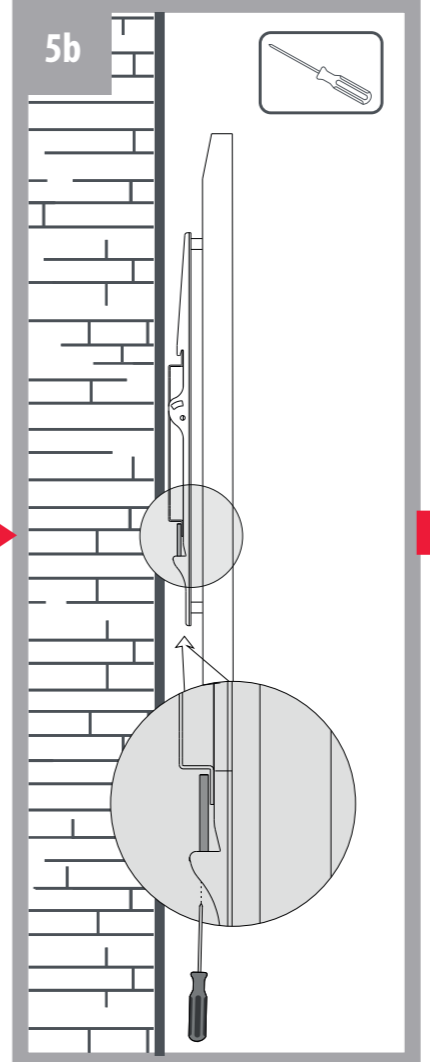
3



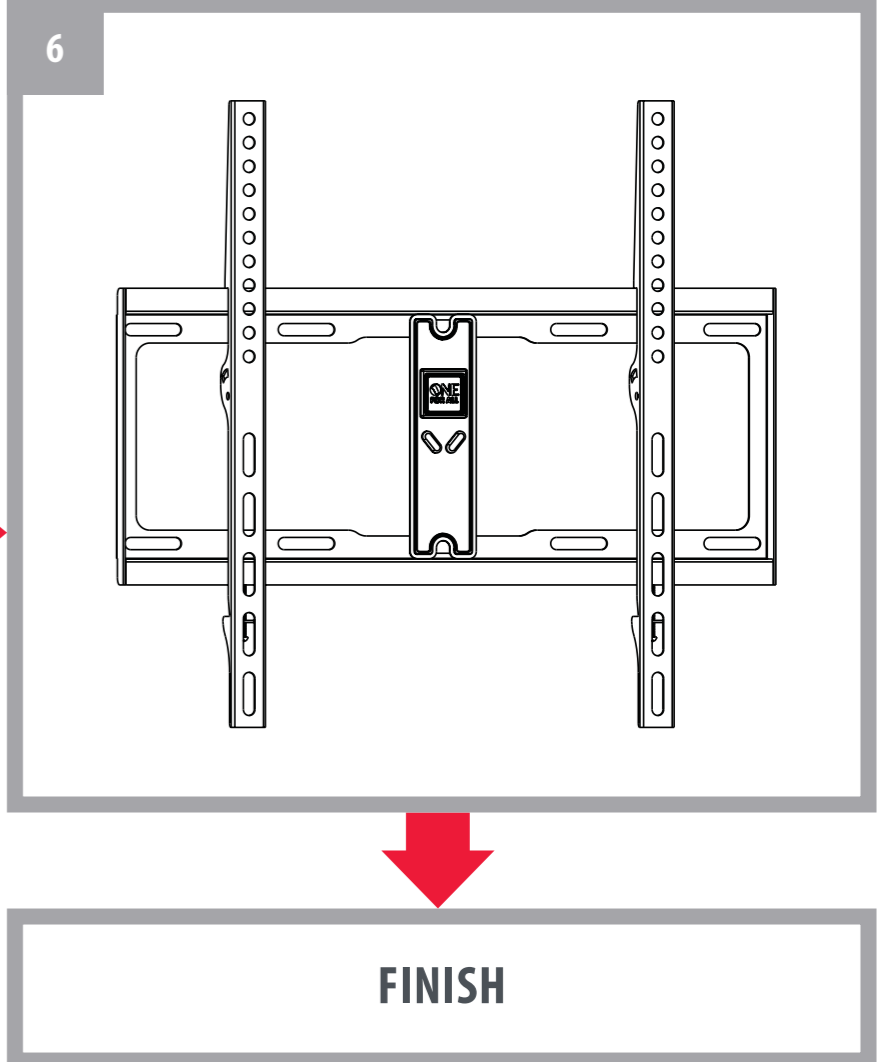
4



5a



5b



6

**FINISH**