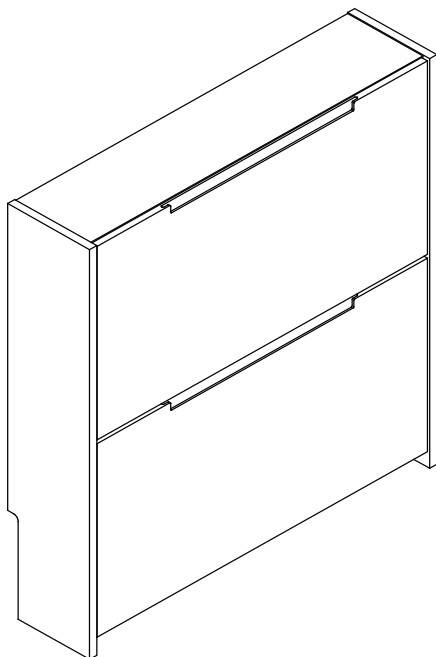


NARROW HALLWAY 2 TIER SHOE CABINET ASSEMBLY INSTRUCTIONS

Thank you for purchasing the 2 tier narrow high gloss shoe cabinet.

Please read the instructions carefully to ensure safe operation of this product.



Size: 72 x 17 x 75.6 cm (WDH)

Colour: White or Grey

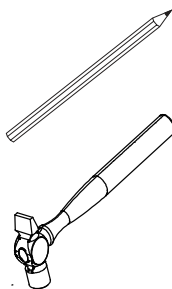
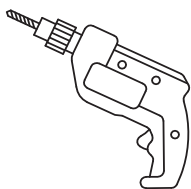
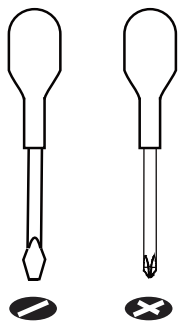
Finish: High Gloss

PLEASE READ this sheet prior to assembly to familiarise yourself with the various stages of construction.

Carefully open the pack supplied and check the contents against the parts and fittings check list. Do not destroy any of the packaging until you are certain that you have all the necessary parts for the assembly.

CAUTION: There are small components used in the construction of this unit. These loose items should be kept away from young children whilst assembling your unit to avoid the danger of choking.

Tools Required



1 Hour
Set Up

Version 1 - 200325

PO No: 5389

Page 1 of 9

NARROW HALLWAY SHOE CABINET 2 TIER ASSEMBLY INSTRUCTIONS

IMPORTANT - READ CAREFULLY - RETAIN THESE INSTRUCTIONS FOR FUTURE REFERENCE.

INFORMATION

- This product is designed to hold 10Kg in total, spread evenly over the whole unit.
- Do not exceed this weight.
- We recommend that this unit is assembled in the room intended for use.
- When you are ready to start, make sure that you have the right tools, plenty of space and a clean, dry area for assembly.
- Unwrap all packaging materials and place the components on top of the carton box or on a clean floor to prevent them from scratching.
- Check the pack and make sure you have all the parts listed.
- Ensure that this product is fully assembled as illustrated before use.
- Check all screws or bolts are tightened and inspect regularly
- Tools not included unless specified in parts list.

WARNINGS

- This product should only be used on a firm and level floor.
- Keep small parts out of reach of children.
- Make sure the base remain in contact with the floor.
- DO NOT use power tools to construct this product.
- DO NOT tighten screws until parts are assembled or as advised in this guide.
- DO NOT over tighten screws or bolts.
- DO NOT use this product if parts are missing, damaged or worn.
- DO NOT sit or stand on the product.
- This is a slim unit so, for safety, it is designed to fix to the wall securely using the metal anti-tilt brackets (F). These are to prevent the cabinet tipping over and causing damage or an accident. It is essential for the safety of you and your children, the cabinet is not free-standing.
- N.B. When drilling the wall to fix the Anti-tilt bracket, always be sure the area to be drilled is free from hidden electrical wiring or gas / water pipes .
- Carefully assess the suitability of the wall to ensure that the fastening device will withstand the load and forces generated. Walls can be quite different in construction so fixings are not supplied - choose the most suitable fixing for your wall type - if in doubt consult an expert.

CARE INFORMATION

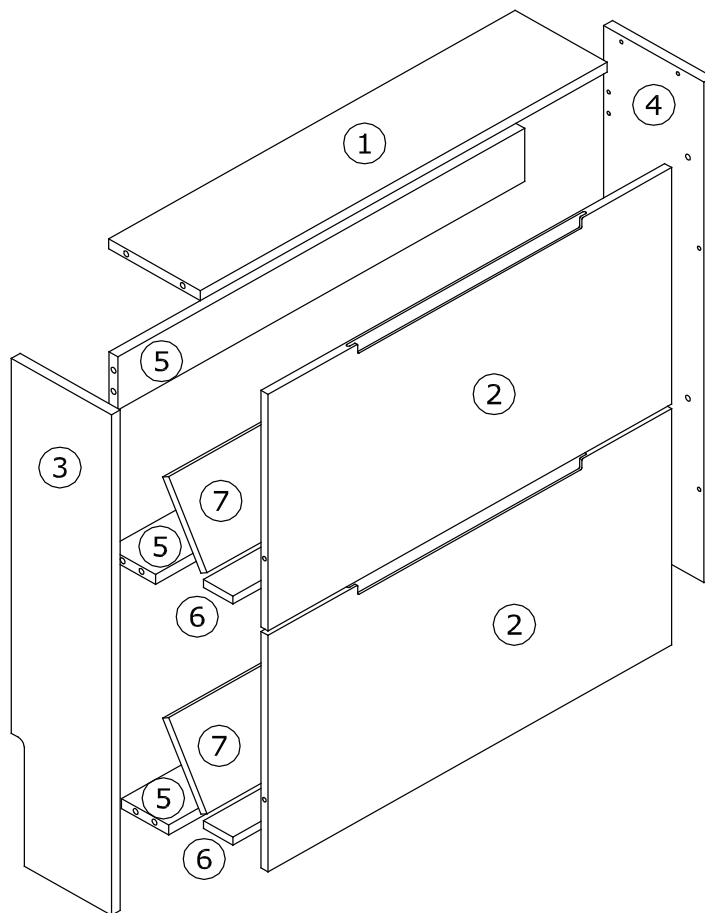
- Never use scourers, abrasives or chemical cleaners.
- To clean, wipe with a damp cloth.
- Do not use solvent based cleaners or detergents as they can bleach or damage the product.

NARROW HALLWAY SHOE CABINET 2 TIER ASSEMBLY INSTRUCTIONS

Parts and Fittings Checklist

Please check the pack contents before assembling the product. If any components are missing, please contact your retailer.

The fittings pack contains small items that should be kept away from children.



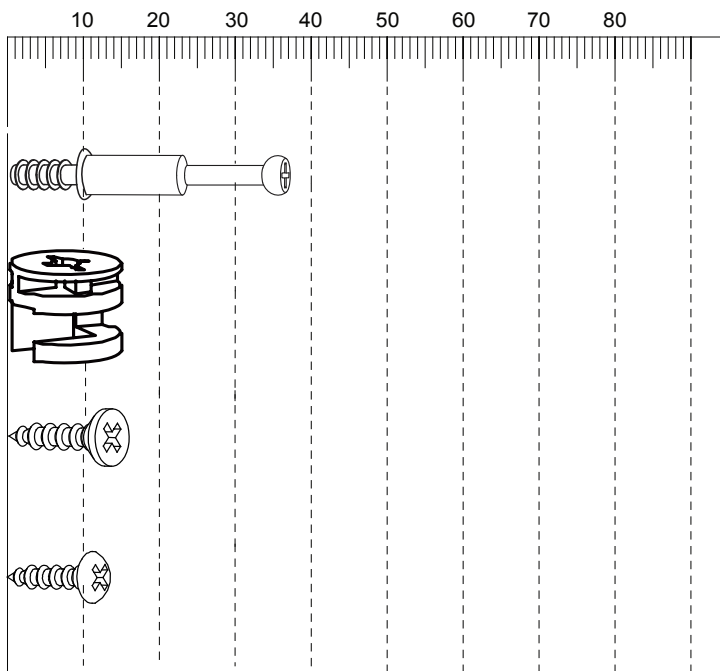
All parts are packed in one carton

1	2	3
Description: Top Panel Qty: 1 Size: 690 x 156 x 15 mm Carton No: 1/1	Description: Front Flap Qty: 2 Size: 685 x 357 x 12 mm Carton No: 1/1	Description: LH Side Panel Qty: 1 Size: 756 x 170 x 15 mm Carton No: 1/1
4	5	6
Description: RH Side Panel Qty: 1 Size: 756 x 170 x 15 mm Carton No: 1/1	Description: Cross Rails Qty: 3 Size: 690 x 80 x 15 mm Carton No: 1/1	Description: Base for Swivel Qty: 2 Size: 660 x 50 x 12 mm Carton No: 1/1
7		
Description: Partition for Swivel Qty: 2 Size: 660 x 130 x 12 mm Carton No: 1/1		

NARROW HALLWAY SHOE CABINET 2 TIER ASSEMBLY INSTRUCTIONS

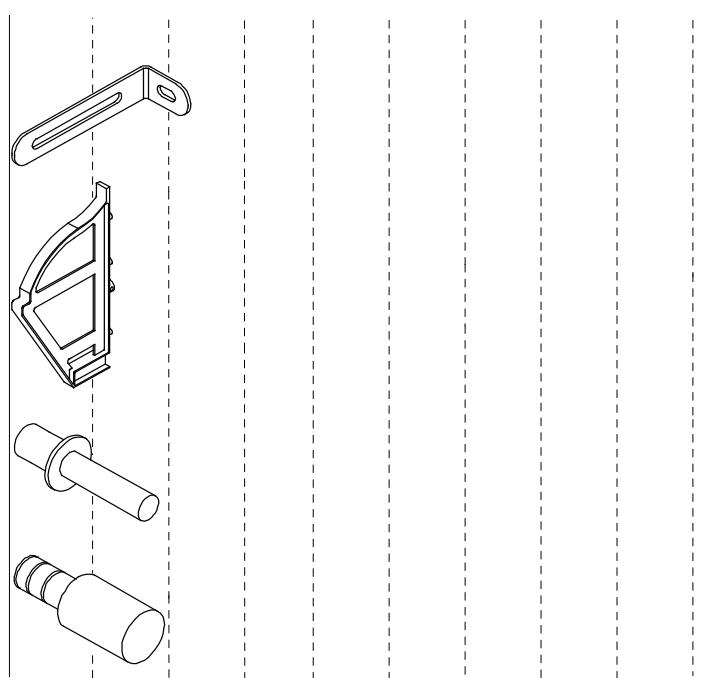
Fittings (to scale)

Code	Item	Quantity
A	Cam Bolt (38mm overall)	16
B	Cam Lock	16
C	Shoe Storage Assembly Screws (3.5 x16mm)	12
K	Screw for Fixing Anti-tilt Metal Bracket to Underside of Top Panel (4x12mm)	2



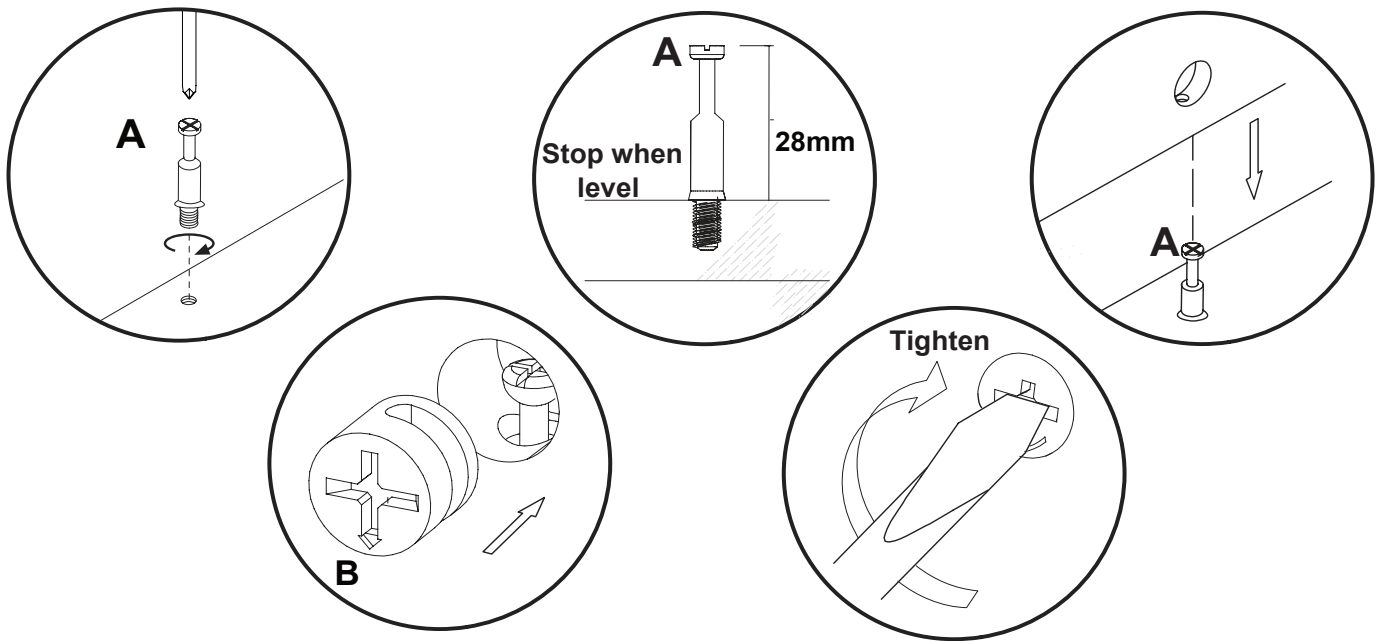
Fittings (not to scale)

Code	Item	Quantity
F	Metal Anti-tilt Bracket (F) for Fixing Cabinet to Wall	2
G	Plastic Swivel Bracket	4
H	Pivot Pins for Plastic Swivel Bracket	4
J	Stop Pin for Plastic Swivel Bracket	4



NARROW HALLWAY SHOE CABINET 2 TIER ASSEMBLY INSTRUCTIONS

General Hints & Tips



STEP 1

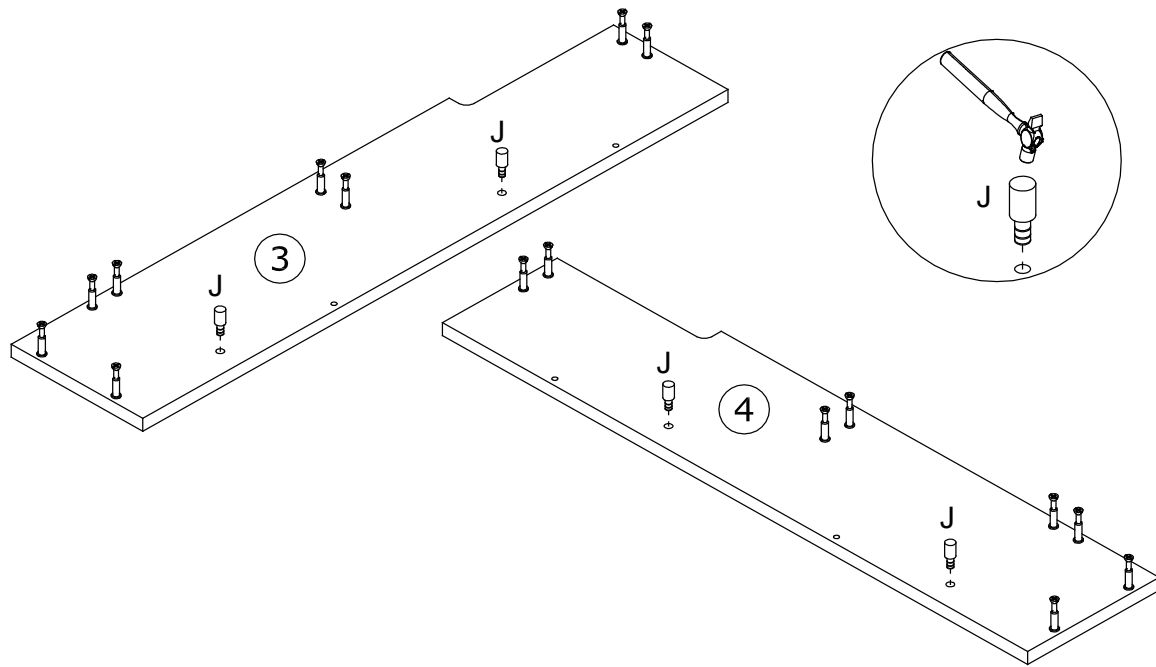
For this step:
Tools required

Fittings required

- A x16
- F x2
- K x2

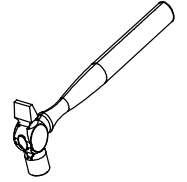
NARROW HALLWAY SHOE CABINET 2 TIER ASSEMBLY INSTRUCTIONS

STEP 2

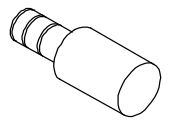


For this step:

Tools required



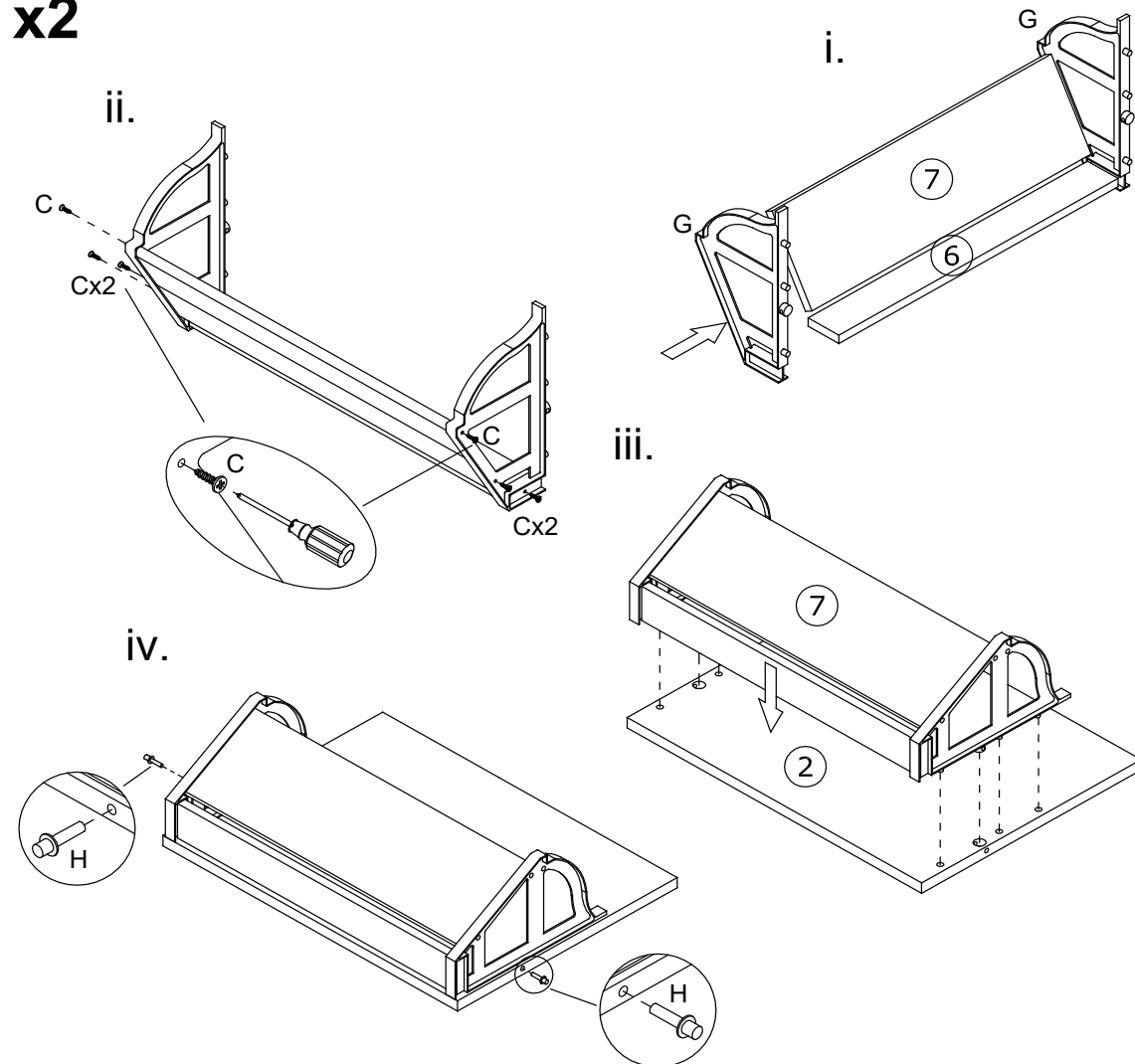
Fittings required



J x4

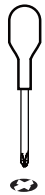
STEP 3

x2

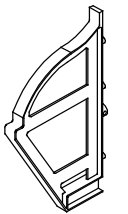


For this step:

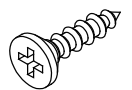
Tools required



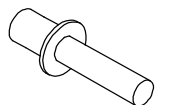
Fittings required



G x4



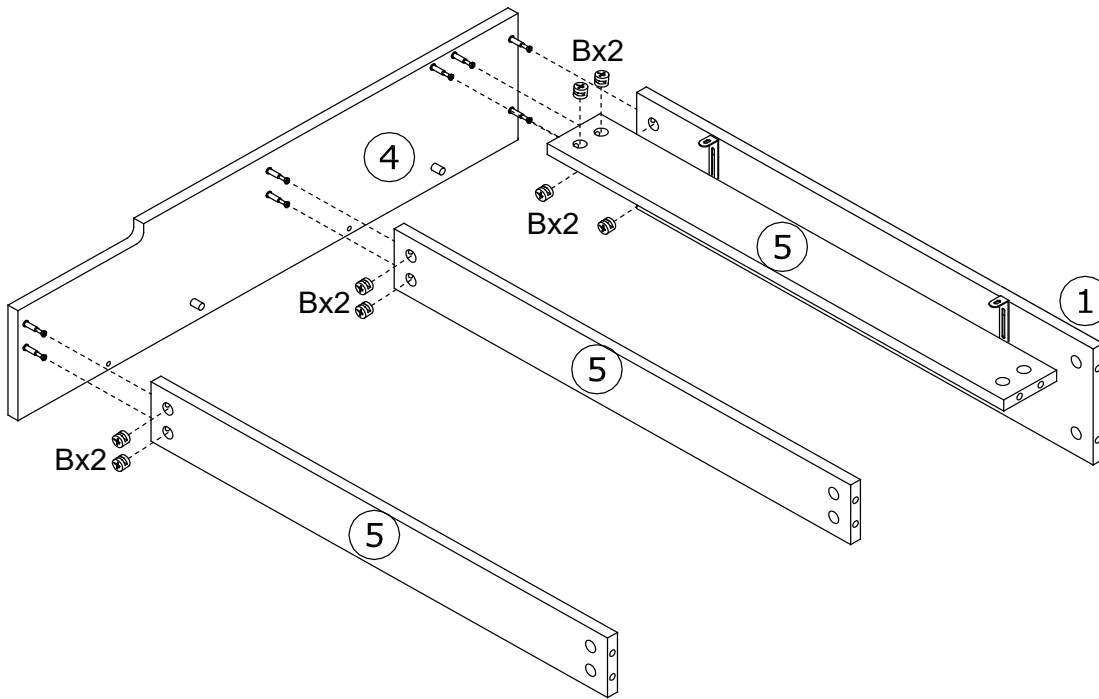
C x12



H x4

NARROW HALLWAY SHOE CABINET 2 TIER ASSEMBLY INSTRUCTIONS

STEP 4



For this step:

Tools required

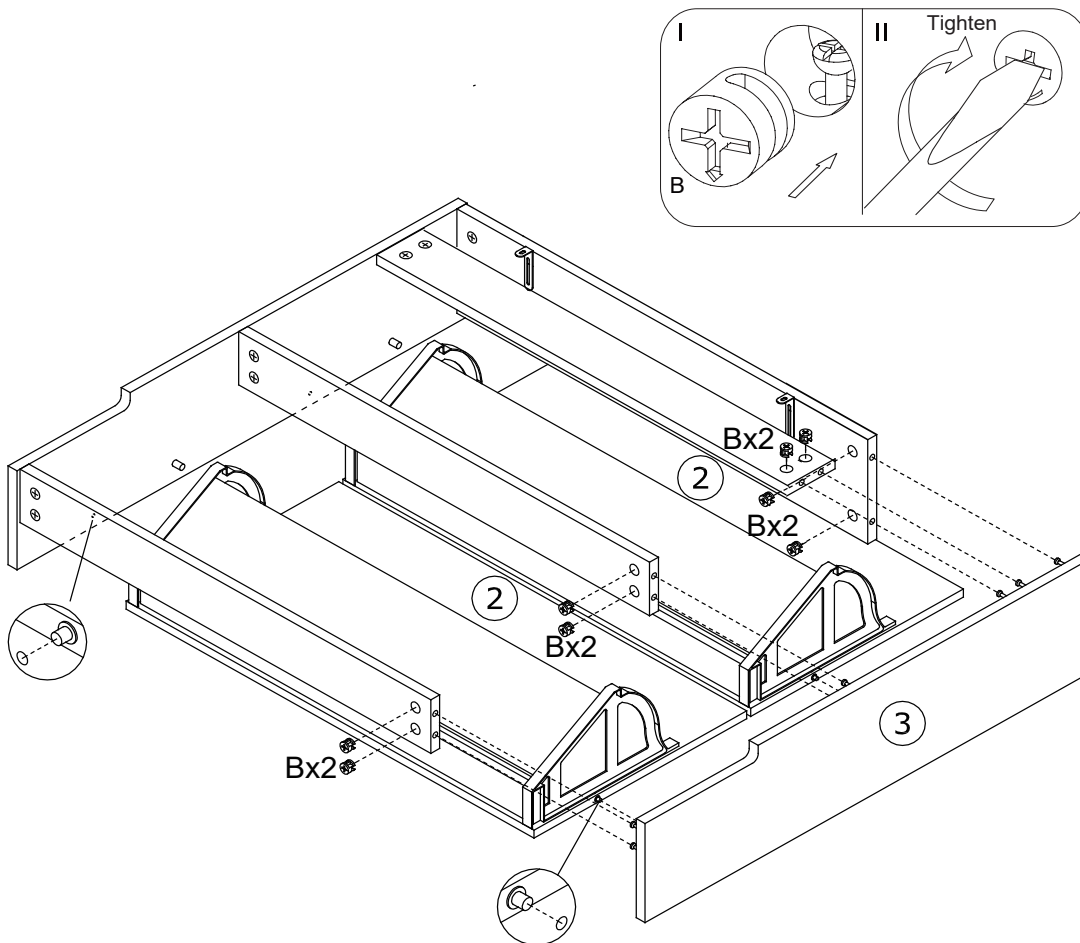


Fittings required



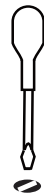
B x 8

STEP 5



For this step:

Tools required



Fittings required

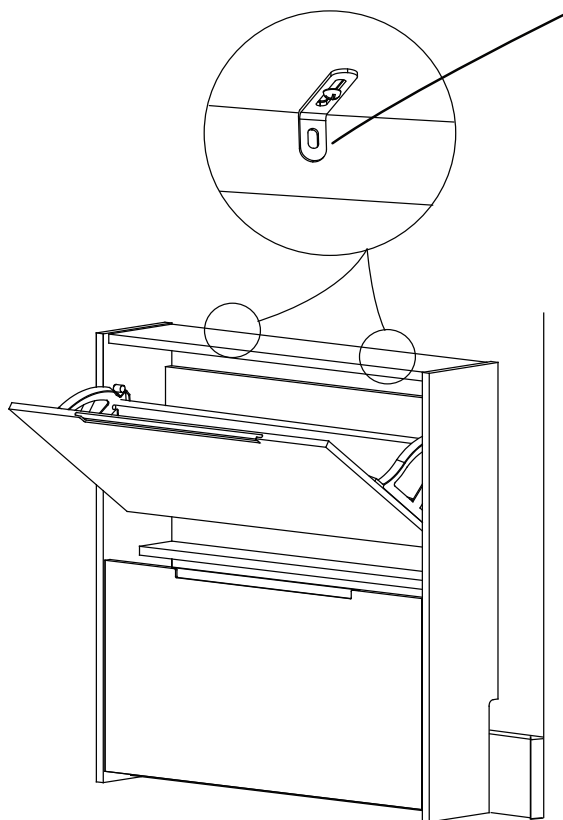


B x 8

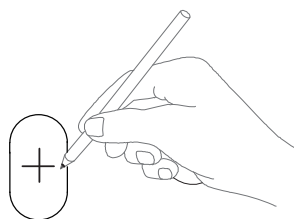
NARROW HALLWAY SHOE CABINET 2 TIER ASSEMBLY INSTRUCTIONS

STEP 6

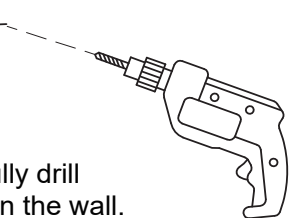
Warning:
Always ensure the area to be drilled is free from hidden electrical wires, water and gas pipes.



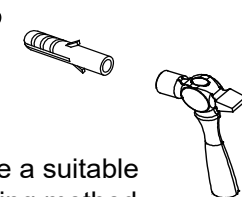
I. In the final position the cabinet is to be used, place it flat against the wall. From underside of the top carefully mark the wall with a sharp pencil, dead-centre of the holes in the short legs of the metal Anti-tilt Bracket.



II. Carefully drill holes in the wall.

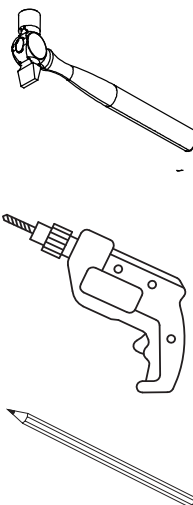


III. Choose a suitable wall fixing method.



For this step:

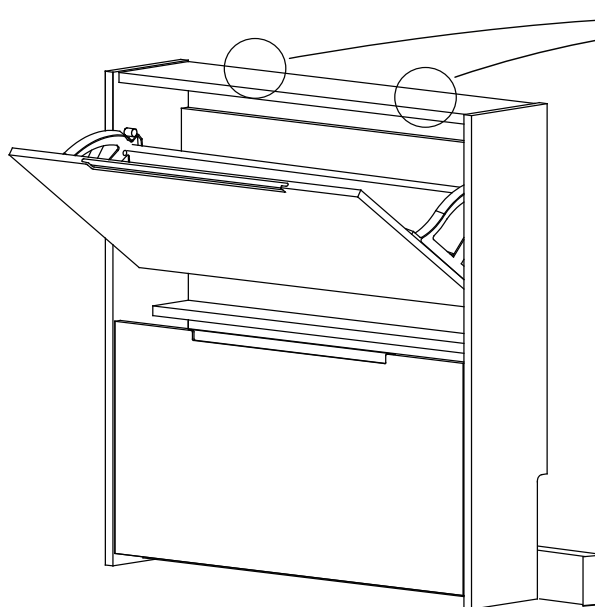
Tools required



Fittings required

STEP 7

Choose a suitable screw for your wall fixing method.



Hold cabinet firmly against the wall. If necessary, loosen screw (K) a little and push each metal bracket (F) until touching the wall. Screw into your wall fixings making sure brackets are firm, finally re-tighten screws (K).

For this step:

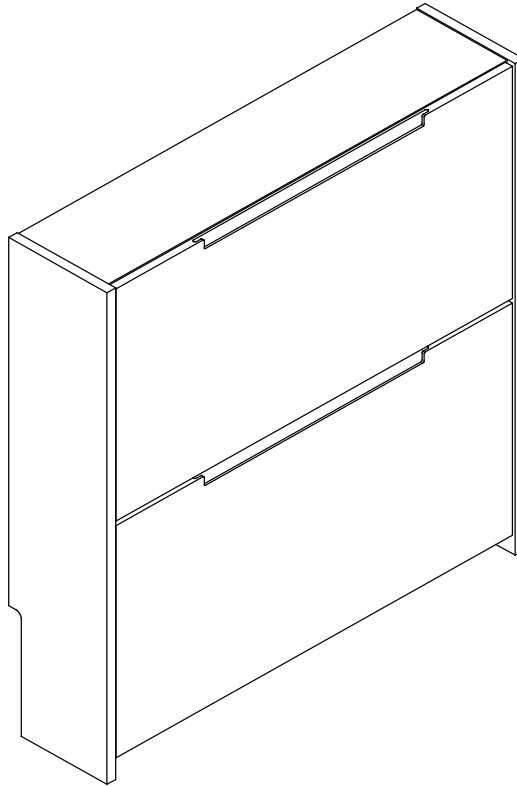
Tools required



Fittings required

Assembly Completed

Your Narrow Hallway Shoe Cabinet is now completely assembled. Periodically check to ensure that the components are in their proper position, free from damage. Also, make sure the connectors are tight and secure.



Keep instructions for future reference

