

# HOME

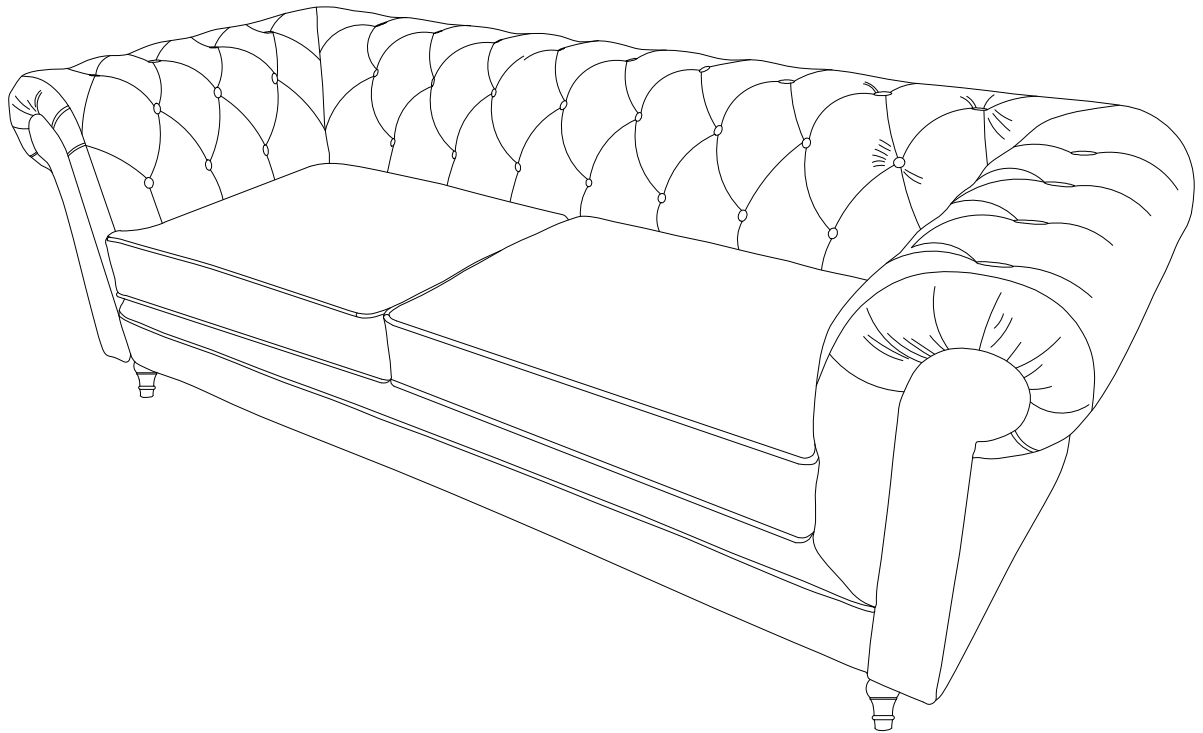
## Chesterfield Sofa

SKU 8817109 8869298

8954914 9112913

8935782 8722809

8889924 9161878



## Care & Instruction Manual

Please read and retain these instructions for future reference



## Safety and Care Advice

**Important - Please read these instructions fully before starting assembly**

Check you have all the components and tools listed on pages 2.

Remove all fittings from the plastic bags and separate them into their groups.

Keep children and animals away from the work area, small parts could choke if swallowed.

Make sure you have enough space to layout the parts before starting.

Assemble the item as close to its final position (in the same room) as possible.

Assemble on a soft level surface to avoid damaging the unit or your floor.

Assembly requires 2 people.



We do not recommend the use of power drill/drivers **for inserting screws**, as this could damage the unit. Only use hand screwdrivers and Allen keys.

Dispose of all packaging carefully and responsibly.

### Cleaning Guidance

Minor stains and spillages should be removed immediately from cushion fabric, by wiping over lightly with a damp cloth and mild soapy water.

Light marking can also be removed using this method.

To remove more stubborn stains or marking, a good quality proprietary domestic fabric cleaner can be used, although it should first be tested on an inconspicuous area of the fabric.

### Care and maintenance

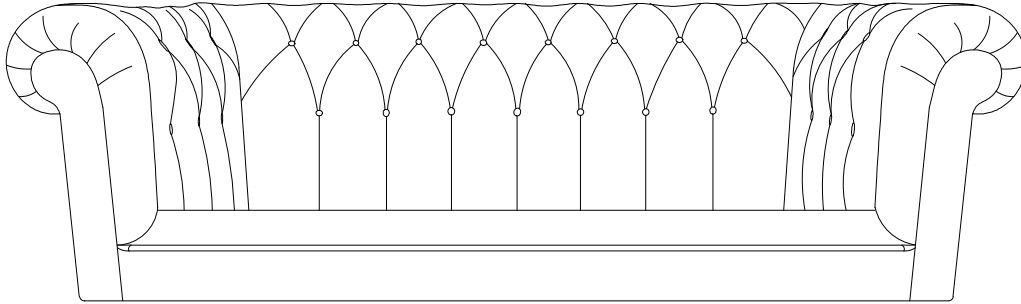
From time to time check that there are no loose screws on this unit.

This product should not be discarded with household waste. Take to your local authority waste disposal centre.

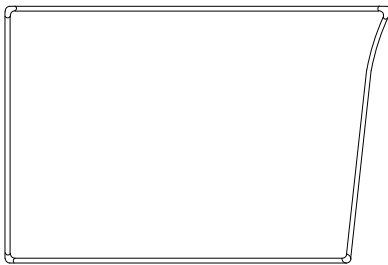
# Components - Parts

If you have damaged or missing components.  
call the **Customer Helpline:** 0345 6400 800

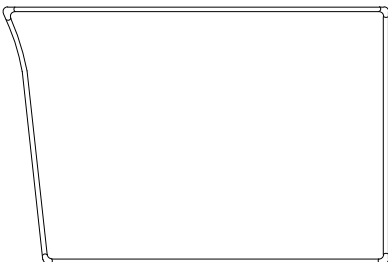
Please check you have all the parts listed below



- 1** Sofa Body  
( 1800 x 900 x 635 mm )  
( 2200 x 900 x 635 mm )



- 2** Reversible Cushion (Right)  
2 Seat ( 610 x 590 x 160 mm )  
3 Seat ( 805 x 600 x 160 mm )



- 3** Reversible Seat Cushion (Left)  
2 Seat ( 610 x 590 x 160 mm )  
3 Seat ( 805 x 600 x 160 mm )



- 4** Leg x 4  
( 85 x 135mm )  
**Note: Packed inside  
zipped cover on the  
underside of sofa body.**



- 5** Support Leg  
3 seat ( 50/30 x 130mm )  
**Note: Packed inside  
zipped cover on the  
underside of sofa body.**

# Assembly Instructions

## Step 1

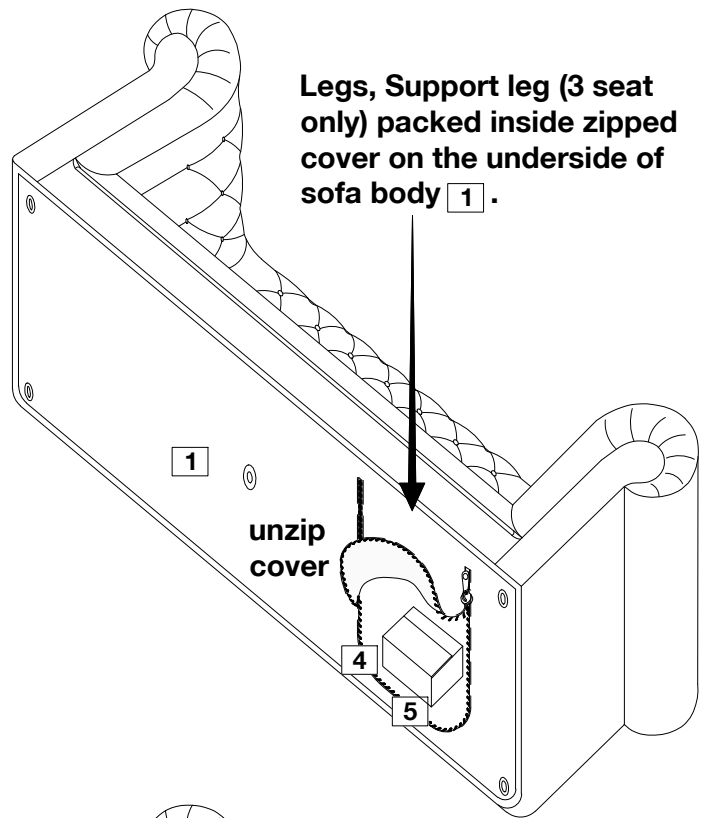
### Locating legs

First, ensure the floor is protected to ensure no damage or marking to the sofa.

With help, carefully turn sofa body **1** over onto its back as shown.

**Warning:** The body is heavy. Lift with care.

Unzip the cover on the underside of body **1** to locate the various components required for assembly.



## Step 2

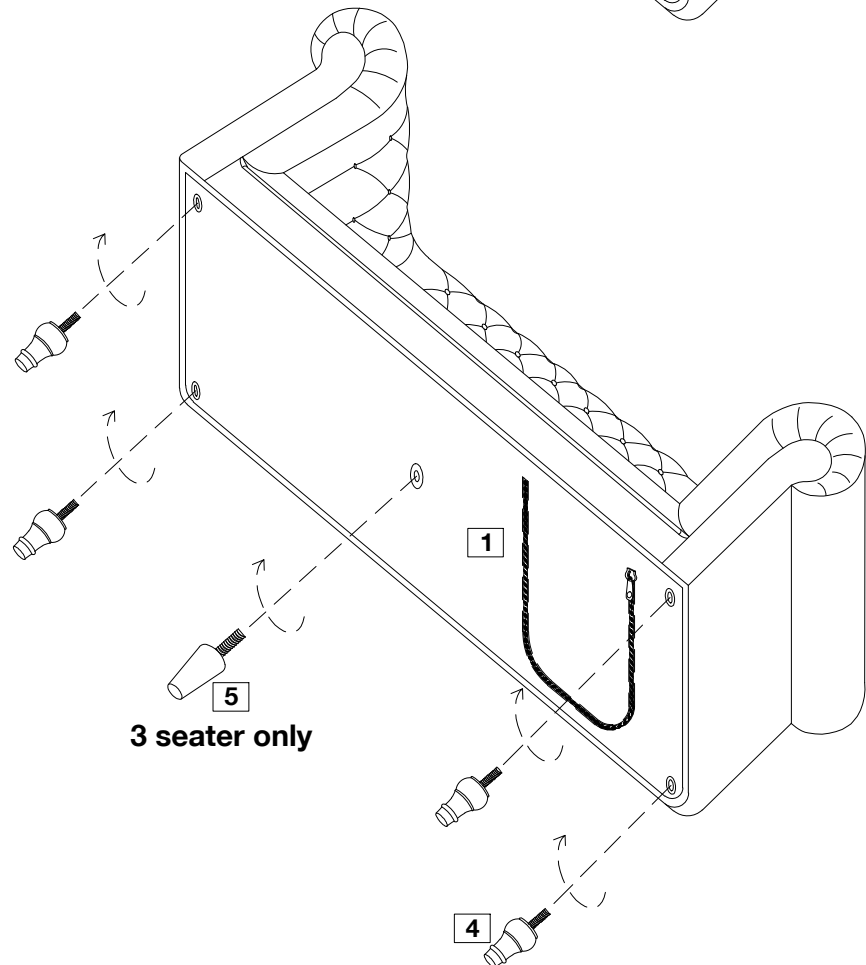
### Attaching legs

Screw legs **4** into each corner of the underside of sofa body **1**.

For the 3 seat sofa only, screw support leg **5** into the center of the underside of sofa body **1**.

**Note:** There is no extra support leg needed for the 2 seat sofa.

**Note:** Ensure the legs are fully screwed in, but do not overtighten!



# Assembly Instructions

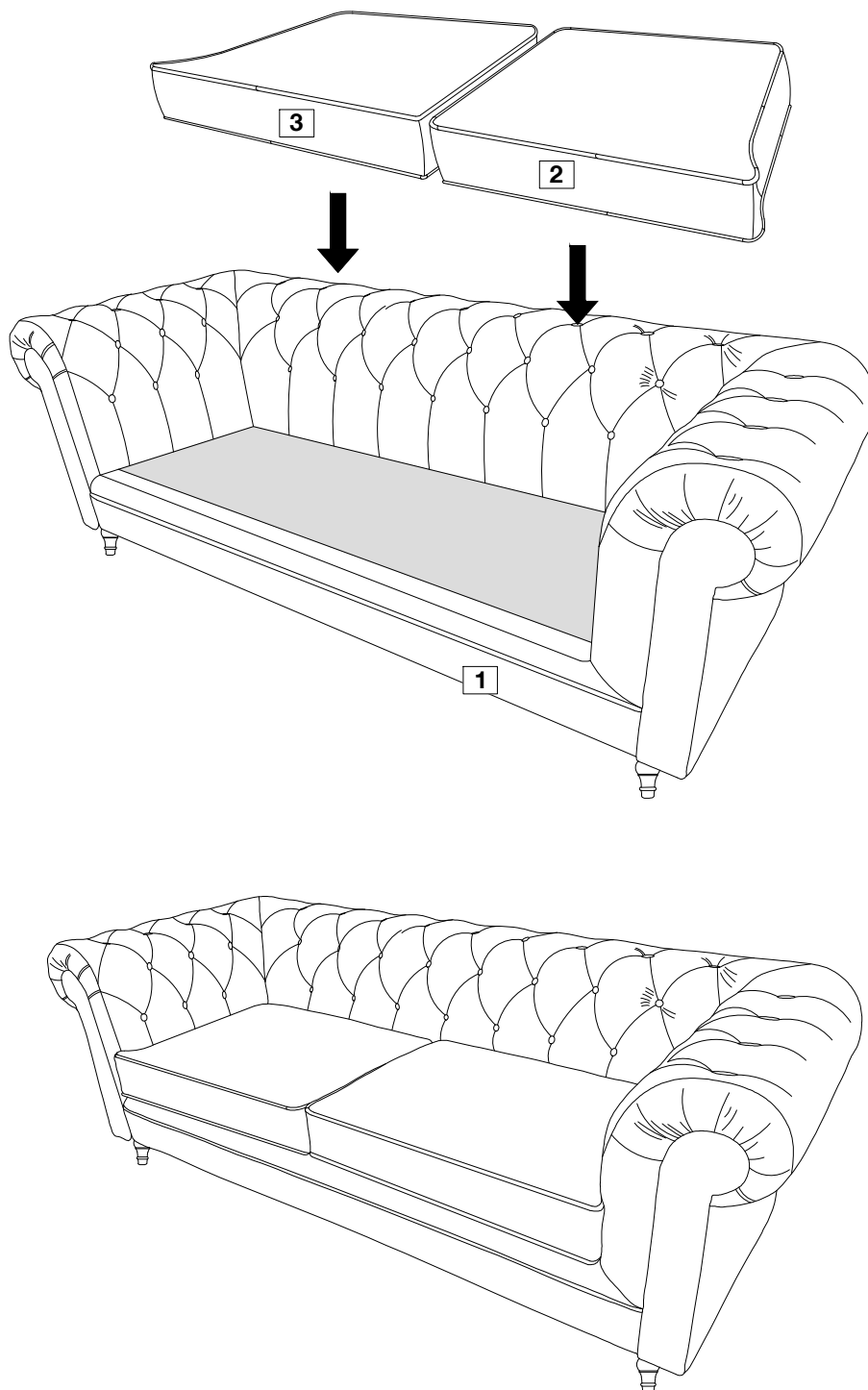
## Step 3

### Locating seat cushions

With help, stand the sofa body **1** upright.

**⚠ Warning:** The sofa body is heavy. Lift with care.

Place reversible seat cushions **2** and **3** into position as shown.



**Assembly is complete.**

We care about our quality and what you think,  
If you have any comments, or you require replacement parts,  
Please call our **Customer Helpline:0345 6400 800**  
Or visit **www.argos.co.uk**  
Your statutory rights are not affected.

Produced in China for  
Argos Limited, 489-499  
Avebury Boulevard,  
Milton Keynes, MK9 2NW  
www.argos.co.uk