

# Drio Dining Table

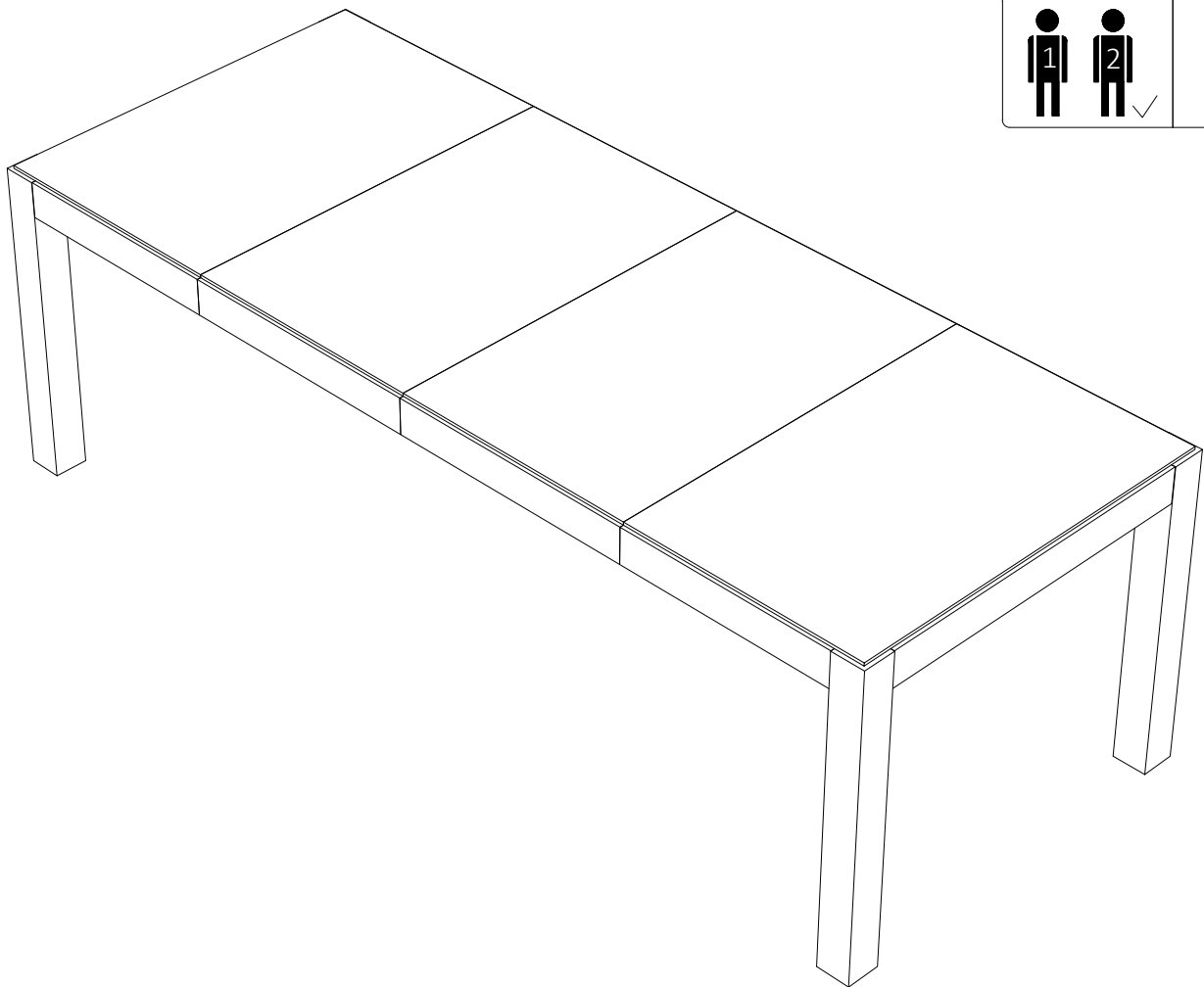
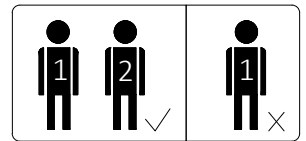
Assembly Instructions - Please keep for future reference

DRIO -1W-SS15-A

## Dimensions

Width - 120cm  
Depth - 95cm  
Height - 750cm

## Tools required



**Important** - Please read these instructions before assembly

If you need help or have damaged or missing parts, email:  
[customerservices@habitat.co.uk](mailto:customerservices@habitat.co.uk) or call: 0344 499 4686

habitat 

# Safety and Care Advice

**Important** - Please read these instructions fully before starting assembly

Check you have all the components and tools listed on the front cover and pages 3 - 4.

Remove all fittings from the plastic bags and separate them into their groups.

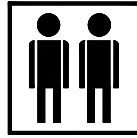
Keep children and animals away from the work area, small parts could choke if swallowed.

Make sure you have enough space to layout the parts before starting.

Do not stand or put weight on the product, this could cause damage.

Assemble the item as close to its final position (in the same room) as possible.

Do not place furniture directly in front of radiators, fires or any other source of heat.



Parts of the assembly will be easier with 2 people.

Assemble on a soft level surface to avoid damaging the unit or your floor.

We do not recommend the use of power drill/drivers for inserting screws, as this could

damage the unit. Only use hand screwdrivers.

Dispose of all packaging carefully and responsibly.

## General care and maintenance

Only clean using a damp cloth and mild detergent, do not use bleach or abrasive cleaners.

From time to time check that there are no loose screws on this unit.

This product should not be discarded with household waste. Take to your local authority waste disposal centre.

## Cleaning and care of high gloss surfaces

Regular dusting with a dry cloth will keep your units clean.

Clean marks with a damp cloth.  
Do not allow spillages to stay on the surface for long.  
To remove stubborn stains, wipe over with a damp cloth and washing up liquid.

Do not use abrasive cleaners.

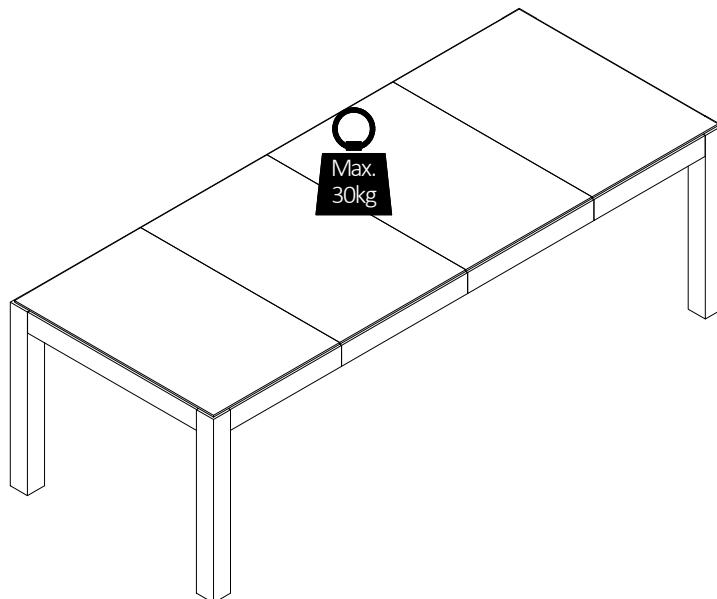
Do not clean with products containing the following:  
Acetone,

(e.g. nail varnish remover). Ammonia (e.g. bleach). or Sodium hydroxide  
(e.g. Caustic soda, drain and oven cleaners).

In the event of accidental contact with aggressive cleaners, rinse thoroughly with water.

Use place mats to protect the surface from moisture and heat.

## Maximum weight limit



## General information

If for any reason you should have problems with your Habitat product, please contact the store from which you purchased it.

Please retain your receipt as proof of purchase.


If you have any comments or suggestions regarding this product, assembly instructions or service

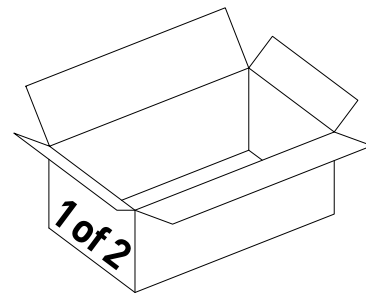
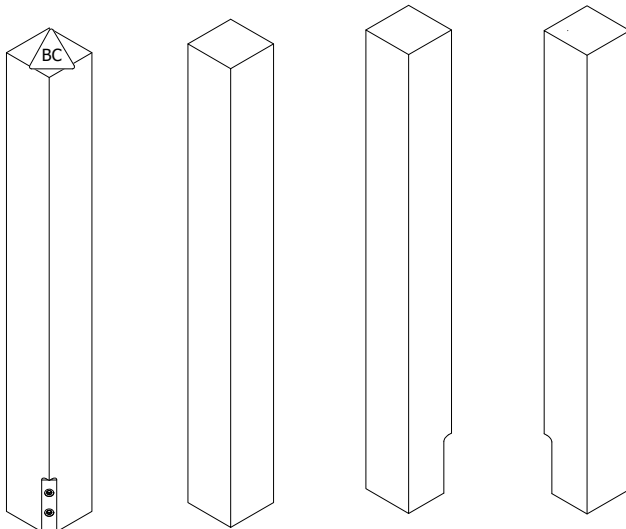
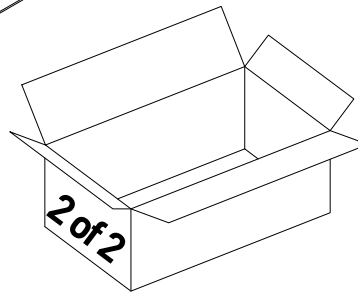
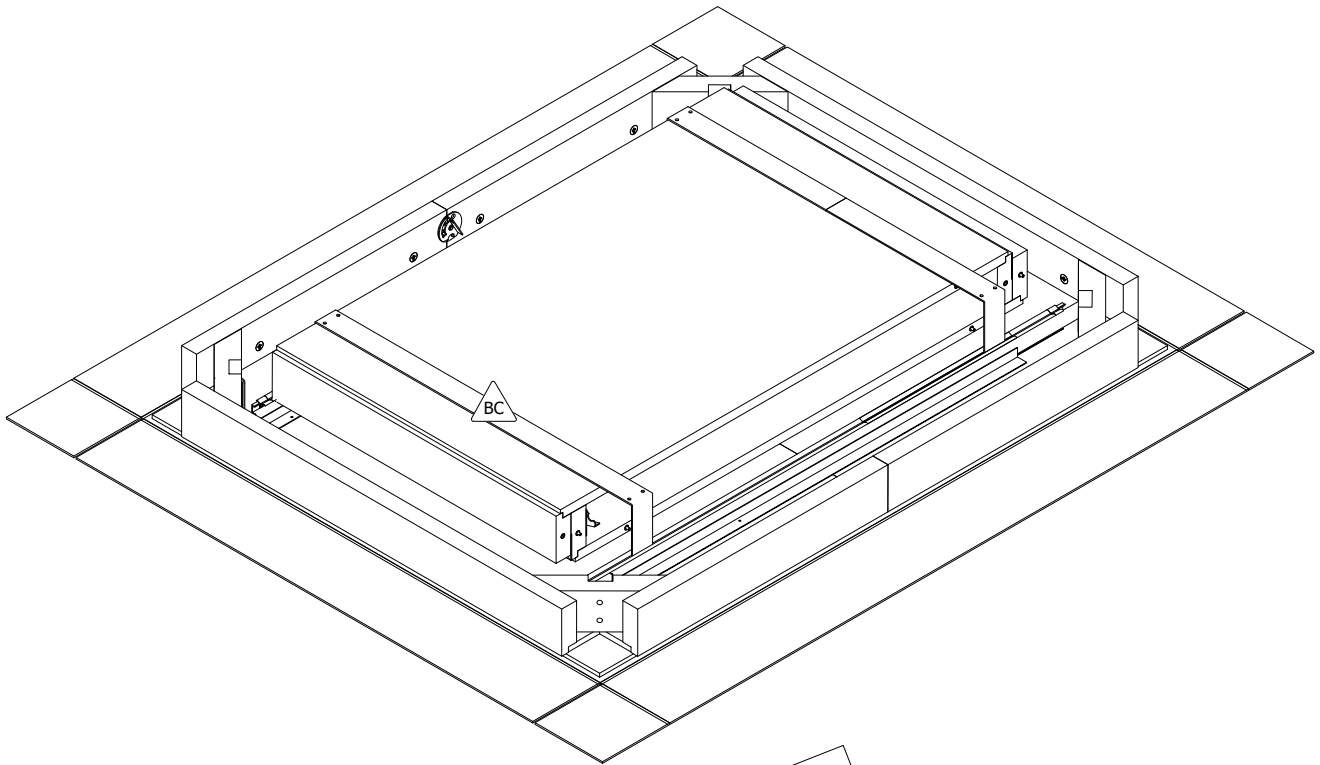
received, please contact the store or Habitat Head Office via its web site: [www.habitat.co.uk](http://www.habitat.co.uk) or write directly to: **Habitat Retail Ltd. 489-499 Avebury Boulevard, Milton Keynes MK9 2NW**

# Components - Panels

If you need help or have damaged or missing parts, email: [customerservices@habitat.co.uk](mailto:customerservices@habitat.co.uk) or call: 0344 499 4686

Please check you have all the panels listed below

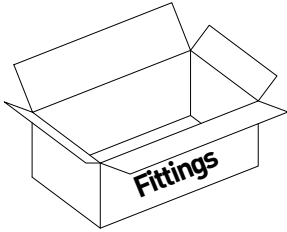
 **BC Note:** There are 'Batch Code' labels where shown on the indicated items, these should be retained.



# Components - Fittings

If you need help or have damaged or missing parts, email: [customerservices@habitat.co.uk](mailto:customerservices@habitat.co.uk) or call: **0344 499 4686**

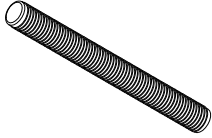

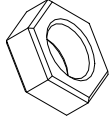
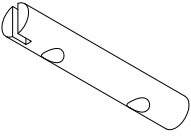
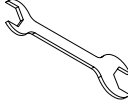

Please check you have all the panels listed below



**Note:** The quantities below are the correct amount to complete the assembly. In some cases more fittings may be supplied than are required.

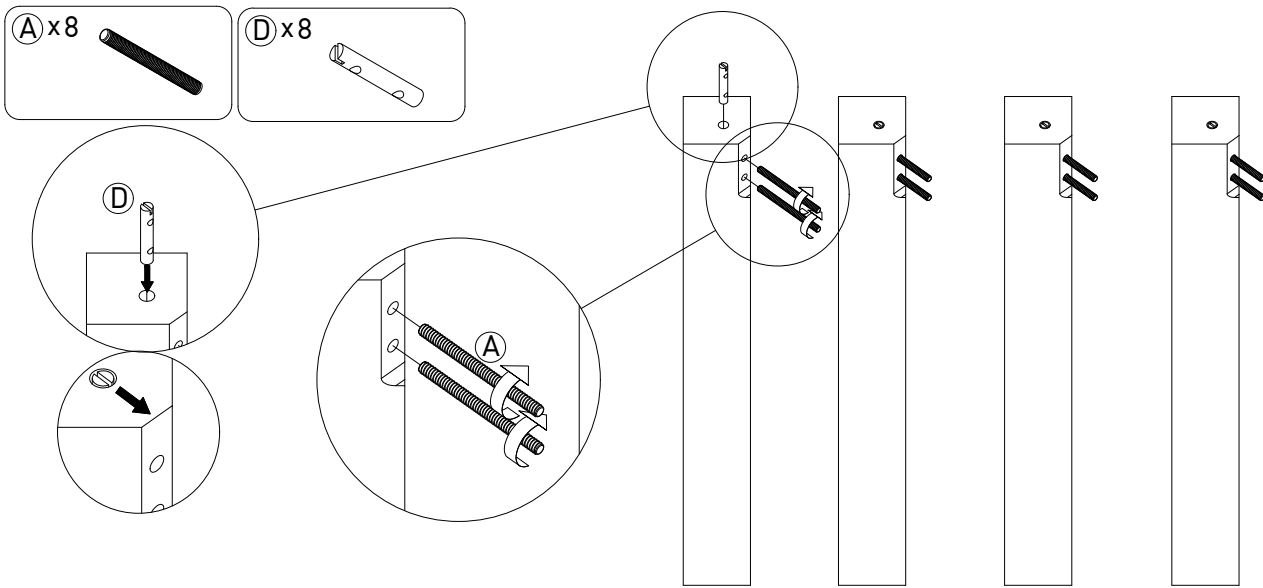
**Ruler -** To help correctly identify the fittings



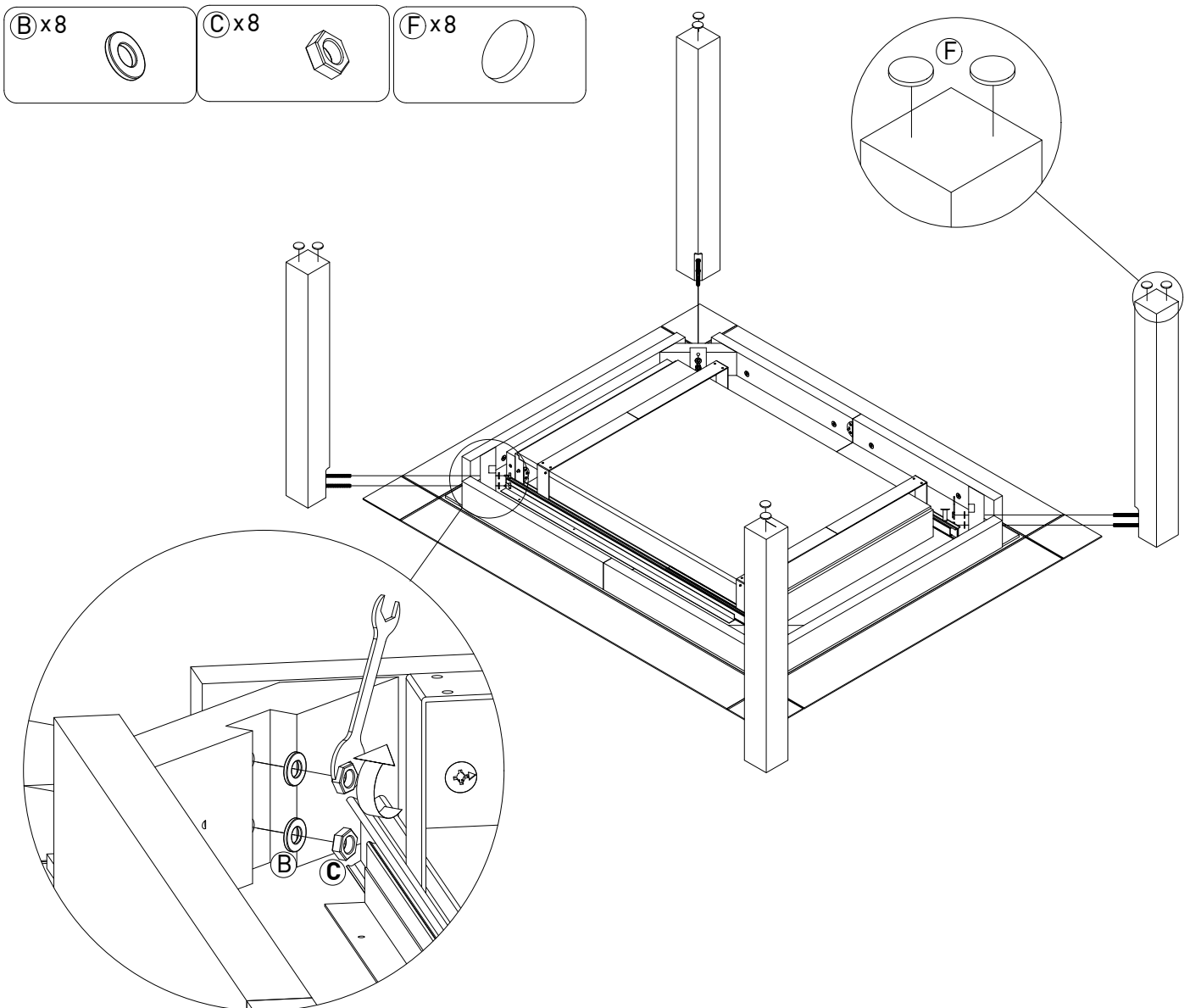
<p>(A) </p> <p>Screws x 8</p>	<p>(B) </p> <p>Washer x 8</p>	<p>(C) </p> <p>Nut x 8</p>
<p>(D) </p> <p>Nut x 4</p>	<p>(E) </p> <p>Key x 1</p>	<p>(F) </p> <p>Felt x 8</p>

# Assembly Instructions

## Step 1

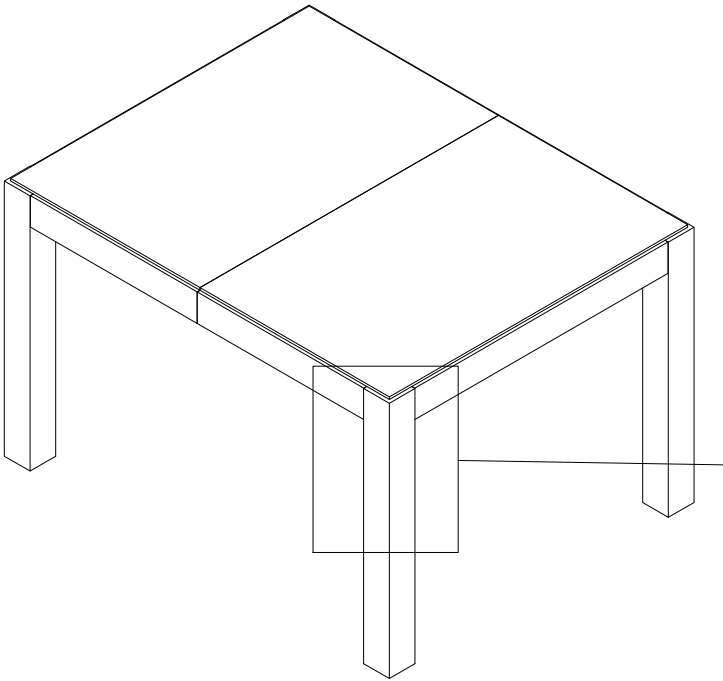


## Step 2

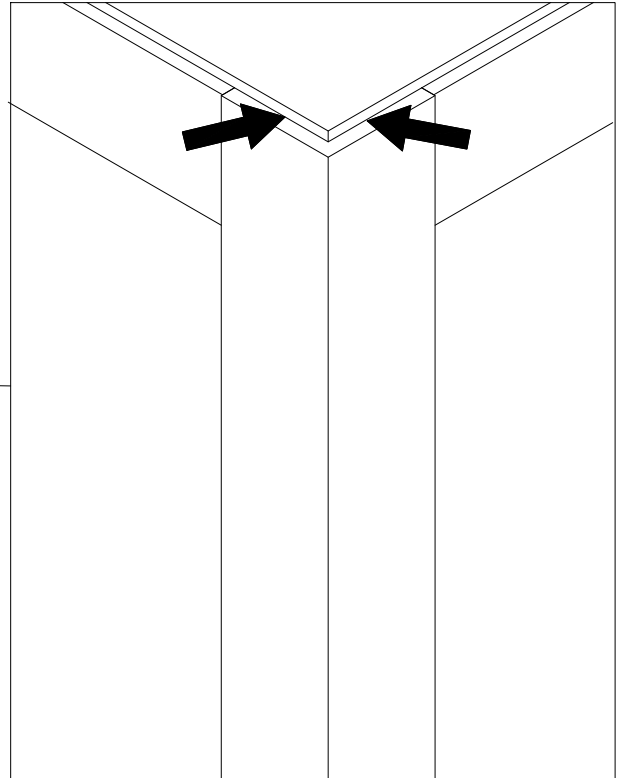


# Assembly Instructions

## Step 3

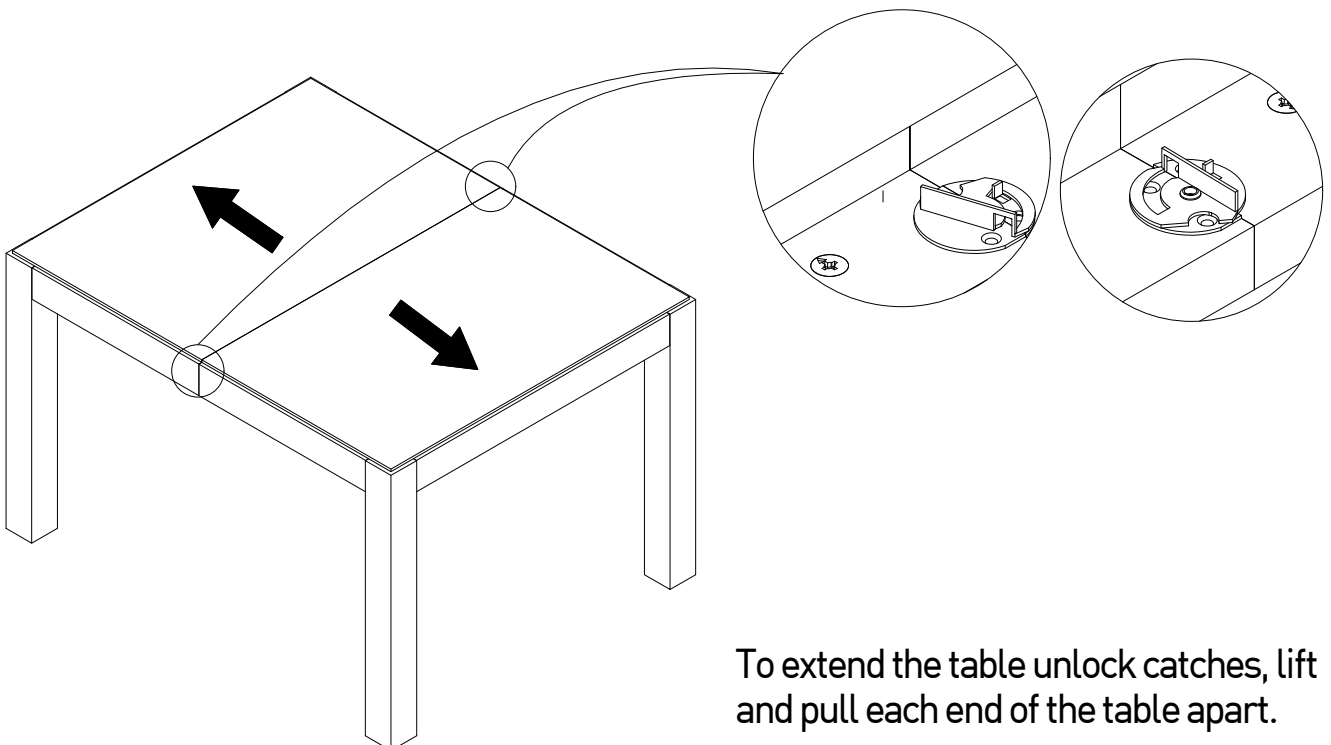


At this point if you find a gap between the top of the leg and the table top.



Please loosen the screws and retighten when the gap is gone.

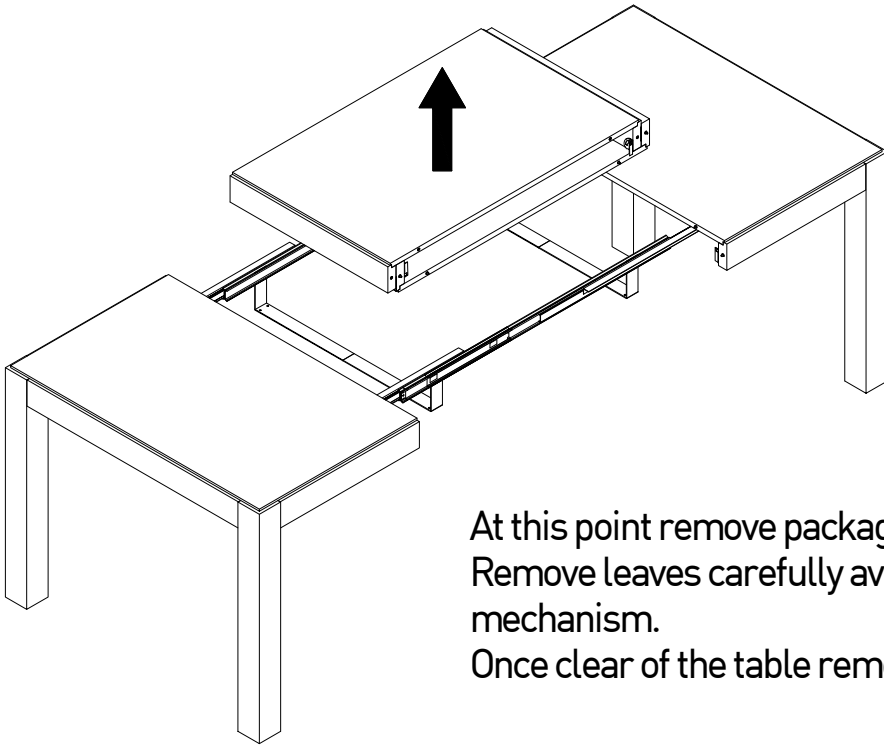
## Step 4



To extend the table unlock catches, lift and pull each end of the table apart.

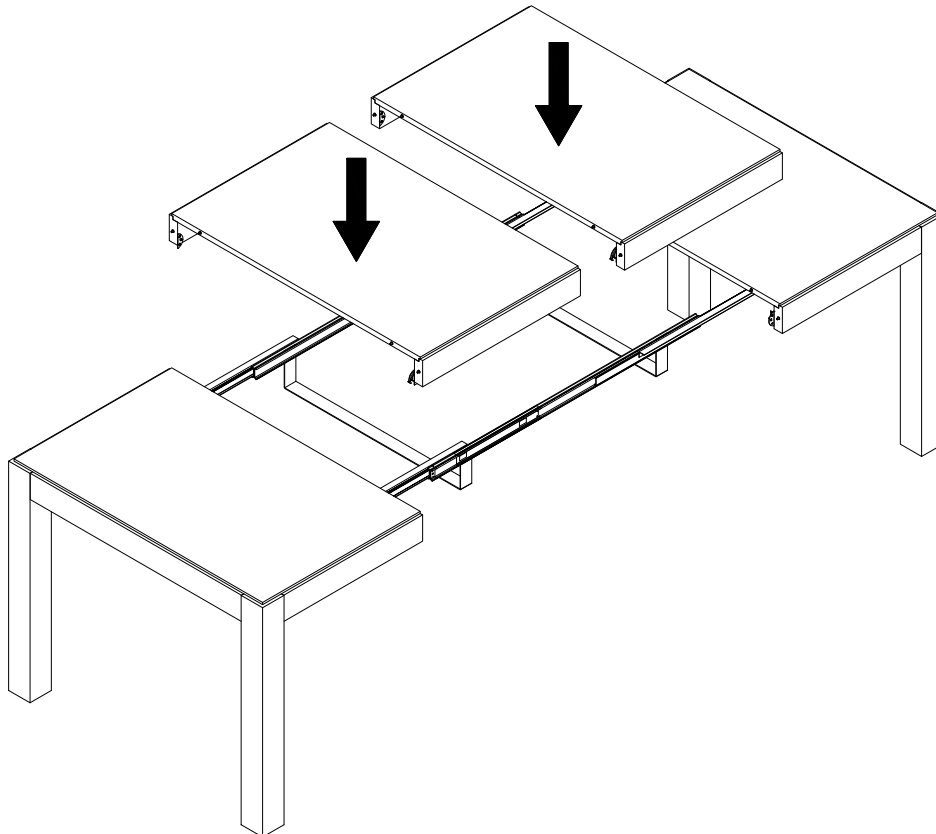
# Assembly Instructions

## Step 5



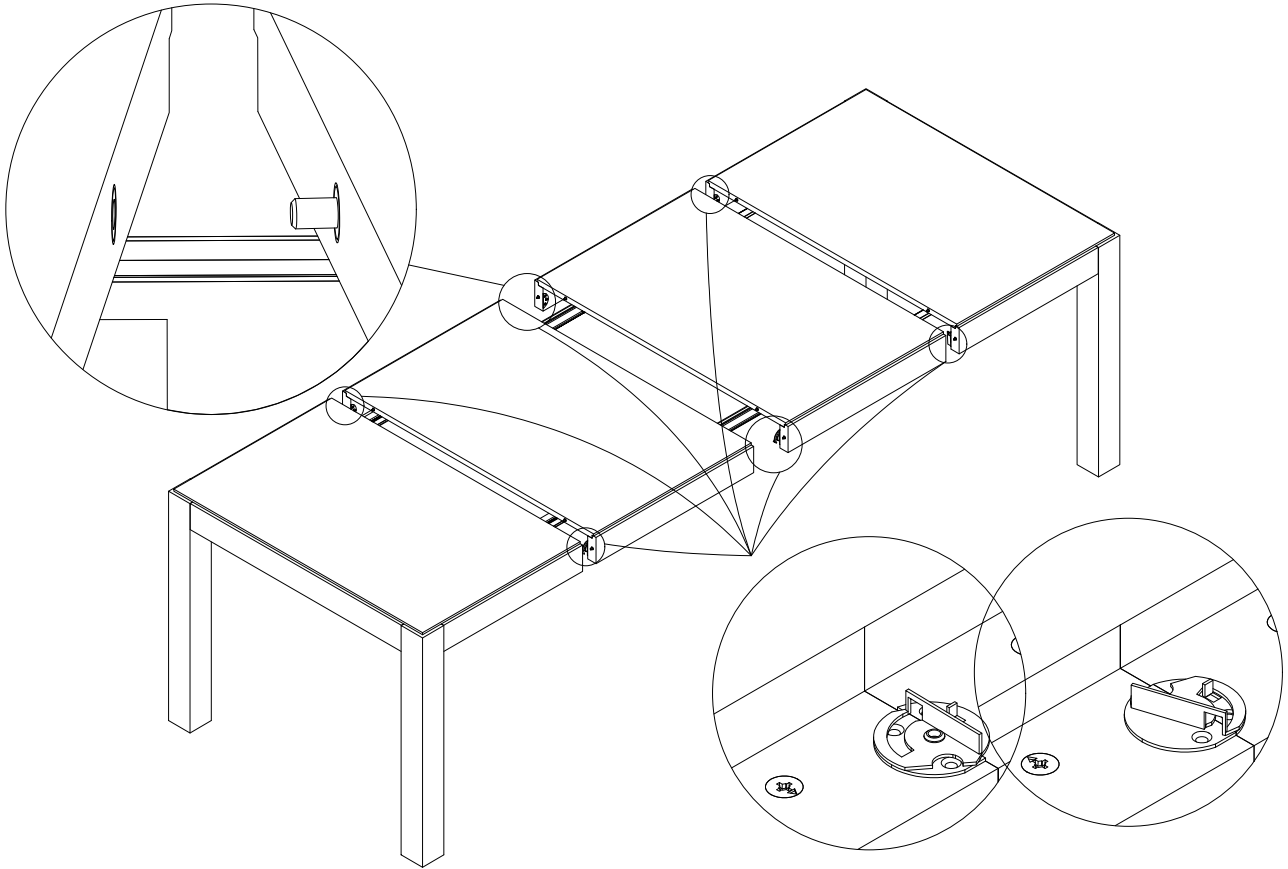
At this point remove packaging around leaves.  
Remove leaves carefully avoiding extending  
mechanism.  
Once clear of the table remove remaining packaging.

## Step 6

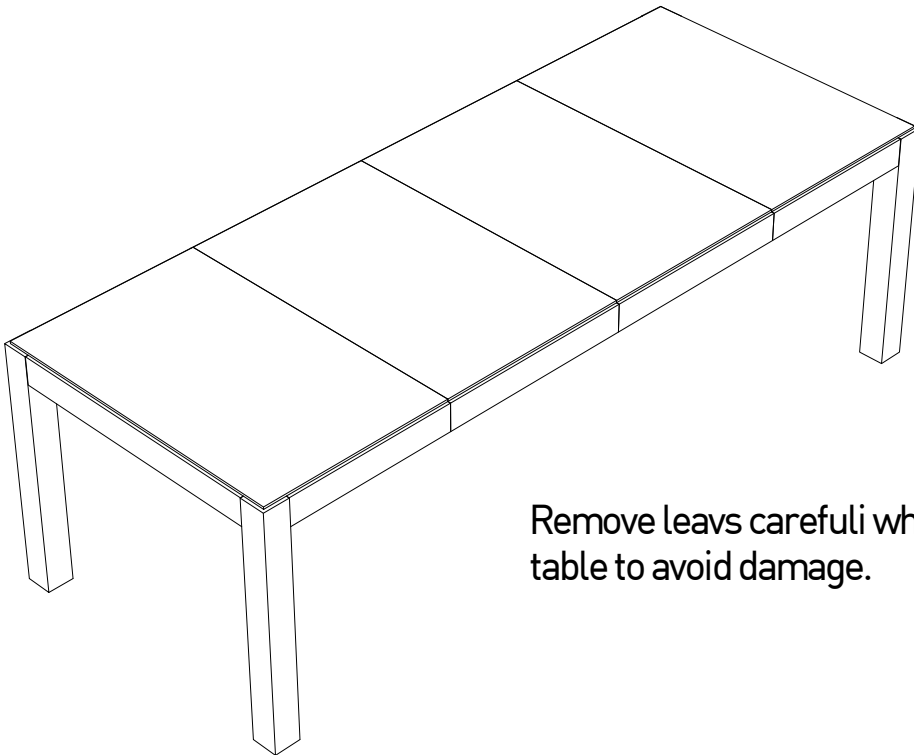


# Assembly Instructions

## Step 7



## Step 8



Remove leaves carefully when replacing them to the table to avoid damage.