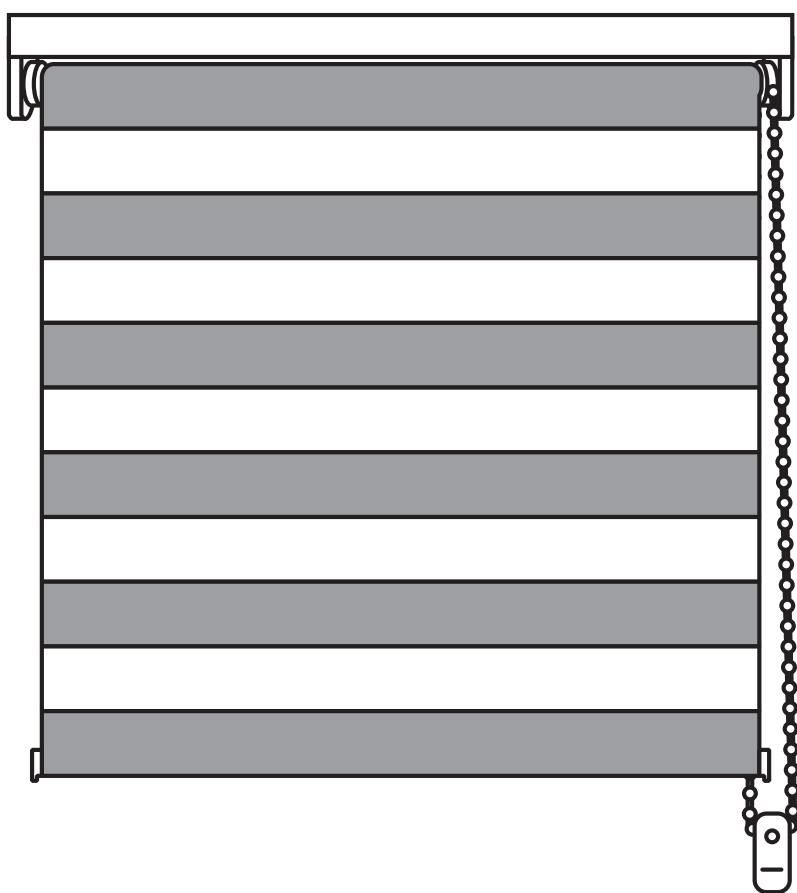
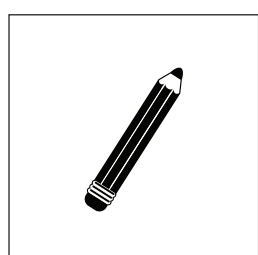


DAY NIGHT ROLLER BLIND INSTRUCTION

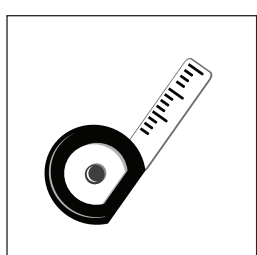


Description	Illustration	90cm	120cm	150cm	180cm
Mounting brackets		2	3	3	3
Screws		5	7	7	7
Wall plugs		5	7	7	7
P Clip		1	1	1	1

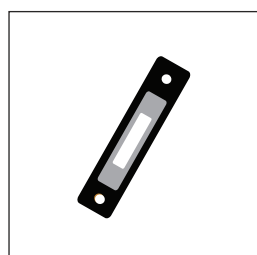
You will need



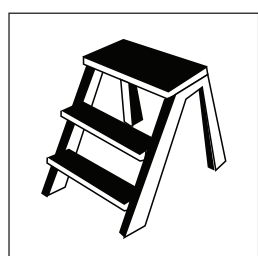
pencil



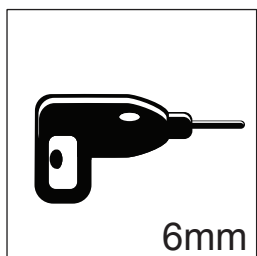
tape measure



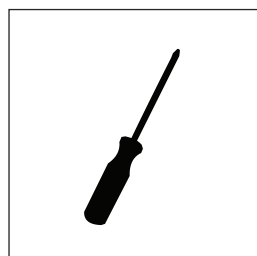
level



step stool



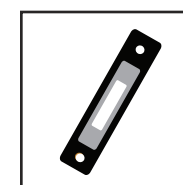
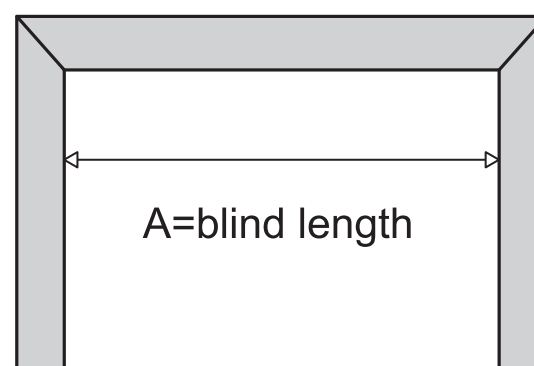
drill



screwdriver

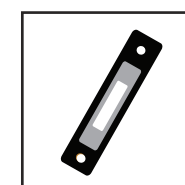
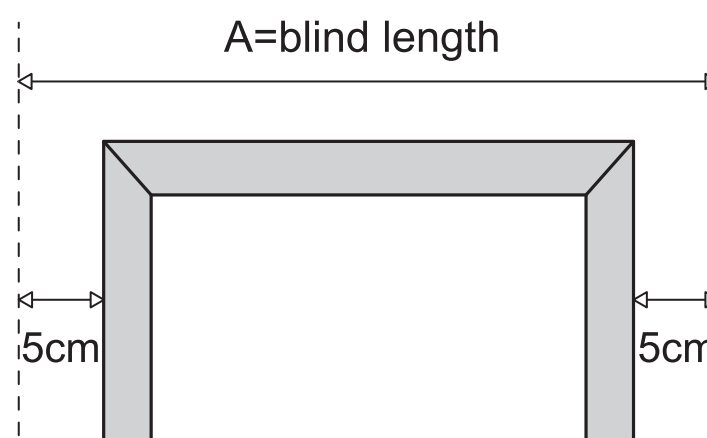
This blind can be fitted inside a window recess, wall fitted outside a window recess or ceiling fitted.

1 Fitting inside window recess



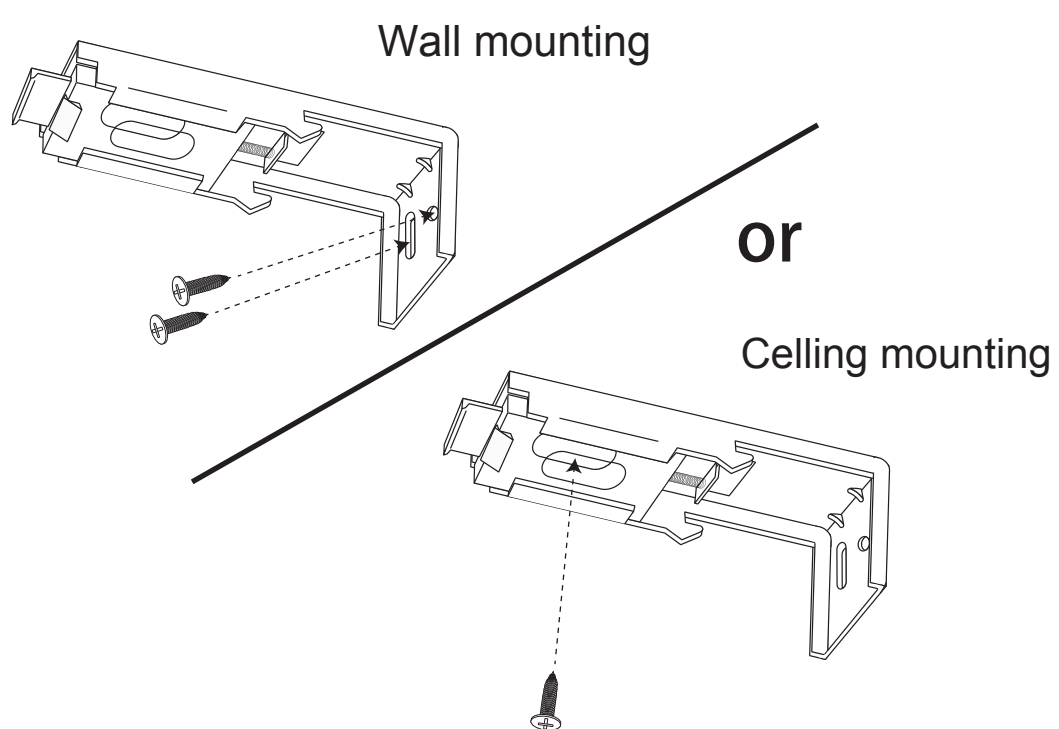
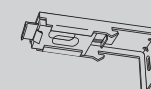
level

2 Fitting outside window recess

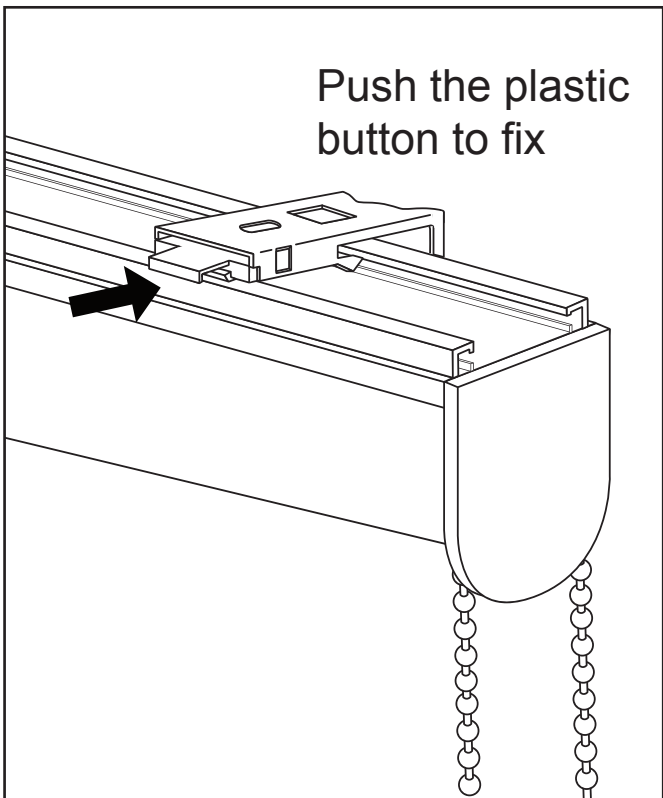
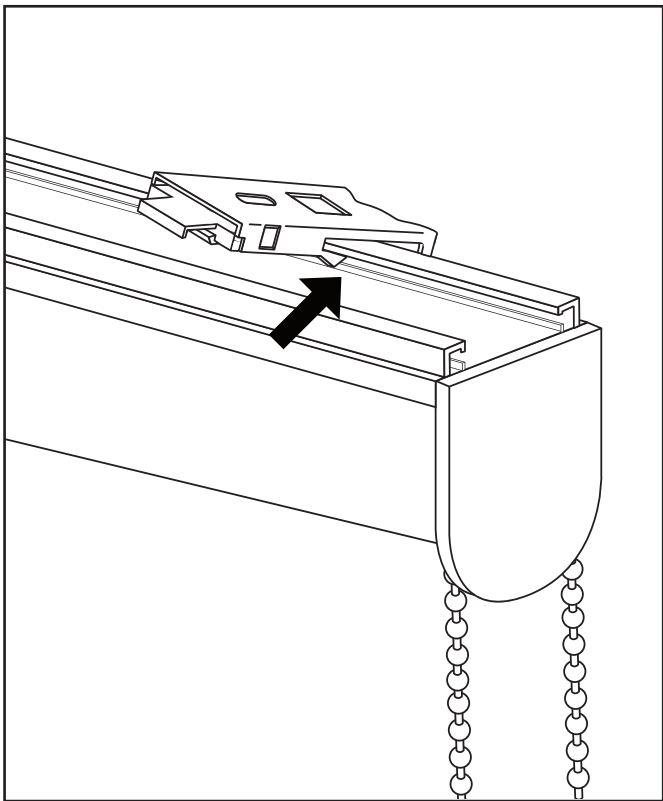
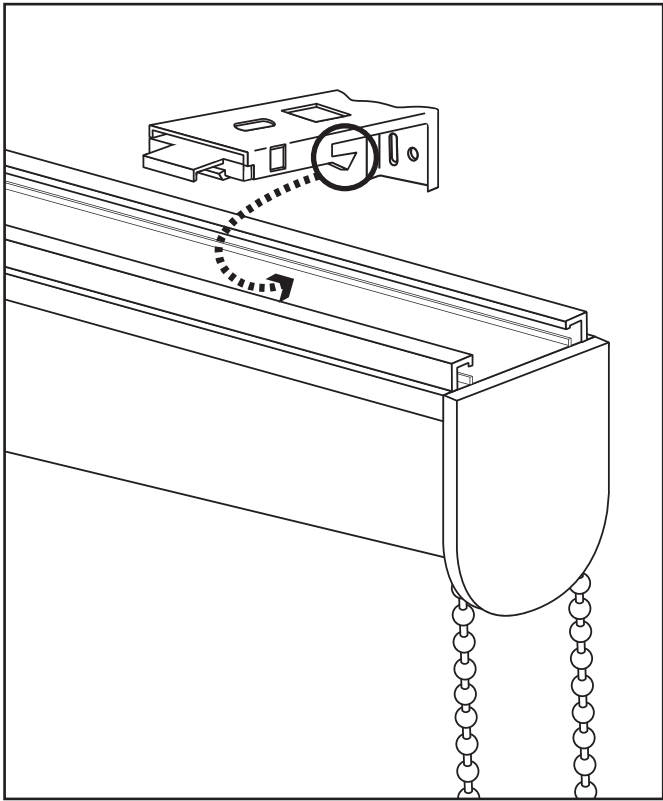


level

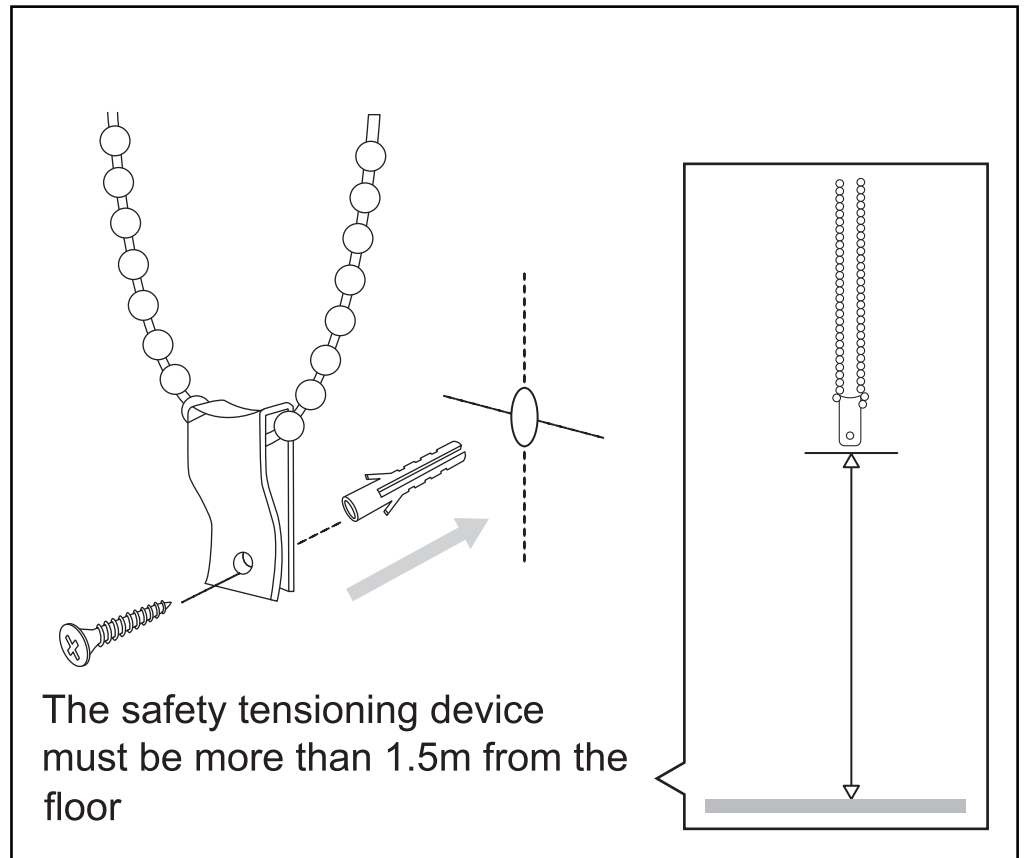
3 Fitting brackets



4 Fitting blind



5 Fitting P clip



⚠ Important: The fixed retaining device shall be installed at the maximum distance possible from the control mechanism to prevent the looped pull cords from becoming slack. All roller blind cords should be secured out of the reach of young children using the relevant safety device.



please read all safety warnings and installation information fully before installation.



- Young children can be strangled by loops in pull cords, chains, tapes and inner cords that operate the product. To avoid strangulation and entanglement, keep cords out of the reach of Young children .
- Cords may become wrapped around a child's neck. Move beds, cots and furniture away from window covering cords.

- Do not tie cords together. Make sure cords do not twist and create a loop.
- The cord tidys should be positioned high enough to be out of reach of small children yet accessible to adults.
- All cord tidys for blinds need to be fixed to a solid surface using a screw and fixing suitable for the wall or surface material. These items should not be glued or stuck in place.
- Note: Wall plugs supplied are for solid walls only. The correct type of fixing must be used for your wall, seek professional advice if in doubt.
- Warning: Before drilling, check wall for hidden pipes and cables.

For further information go to : [www .makeitsafe.org.uk](http://www.makeitsafe.org.uk)



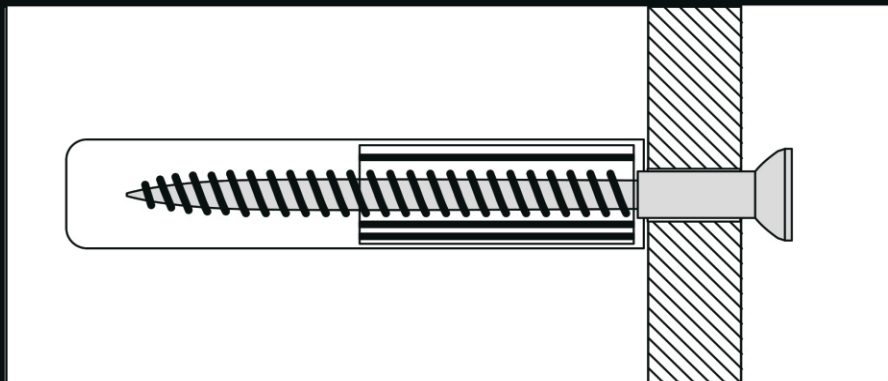
Argos Limited

489-499 Avebury

Boulevard, Milton Keynes MK9 2NW.

www.argos.co.uk


Wall Mounting & Fixings



IMPORTANT:

When drilling into walls always check that there are no hidden wires or pipes etc. Make sure that the screws and wall plugs being used are suitable for supporting your unit. Consult a qualified tradesperson if you are unsure.

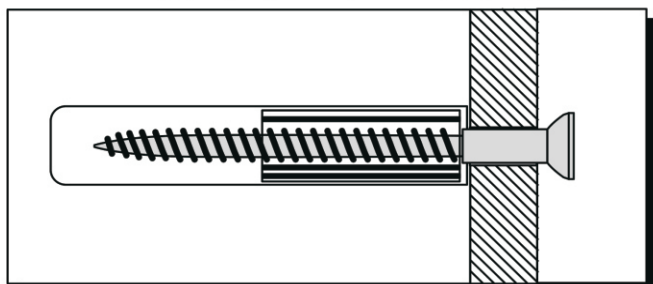
HINTS:

- 1) General Rule  Always use a larger screw and wall plug if you are not sure.
- 2) Ensure you use the recommended drill bit to match the wall plug and hole size.
- 3) Ensure you drill the hole horizontally, do not force the drill or enlarge the hole.
- 4) Take extra care when drilling high walls, ceilings and ceramic tiles. Ensure the plug is fitting below the ceramic tile to avoid splitting or cracking.
- 5) Ensure wall plugs are well fitted and are a tight fit in the drilled hole.

Types Of Walls

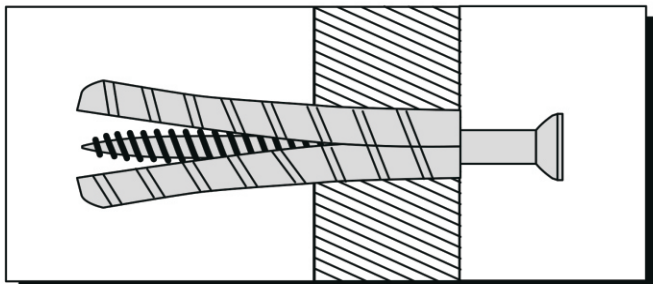
You can use one of the following types of wall plug if your walls are made of brick, breeze block, concrete, stone, wood or plaster board.

No.1 "Standard" Wall Plug General Wall Materials



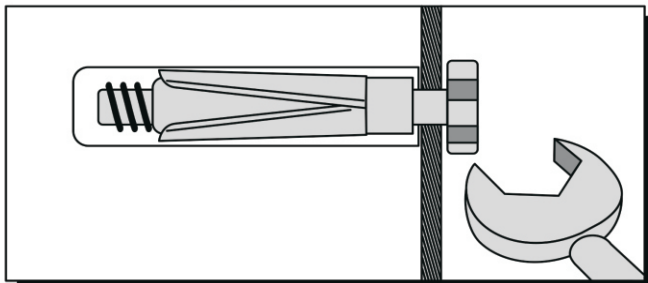
These come in various sizes and are made from plastic or sometimes wood fiber.

No.2 "General Purpose" Wall Plug Aerated / Breeze Block



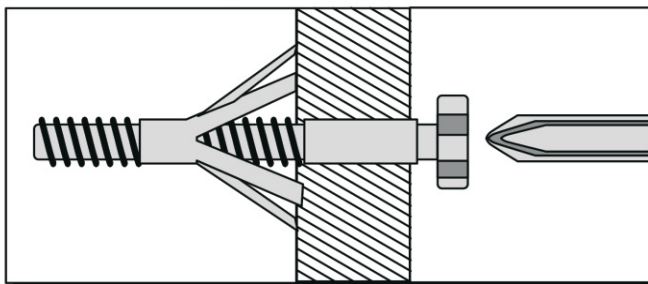
Generally aerated blocks should not be used to support heavy loads, use a specialist fitting in this case. For light loads, a General Purpose Plug can be used.

No.3 "Shield Anchor" Wall Plug Heavy Loads



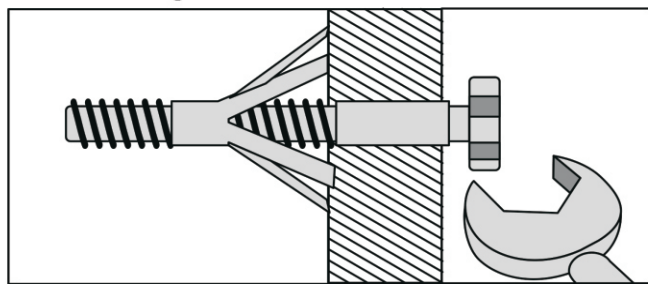
For use with heavier loads such as TV & HiFi Speakers and Satellite Dishes etc.

No.4 "Cavity Fixing" Wall Plug



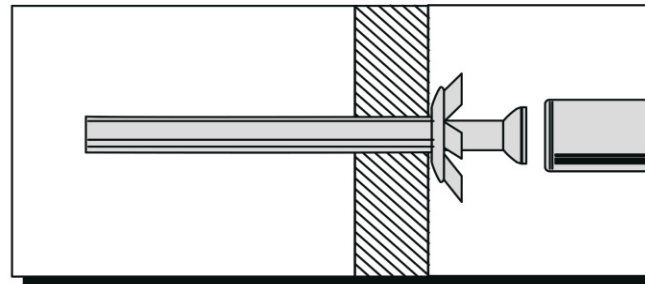
For use with plaster board partitions or hollow wooden doors.

No.5 "Cavity Fixing - Heavy Duty" Wall Plug



For use when fitting or supporting heavy loads such as shelving, wall cabinets, coat racks.

No.6 "Hammer Fixing" Wall Plug



For use with walls stuck with plaster board. The hammer fixing allows it to be fixed to the wall rather than the plaster board. Always check the fixing is secure to the retaining wall.

CARE & MAINTENANCE

SAFETY

Always check the fitting and location to ensure your safety in and around the home.

FITTING

From time to time check the fitting to ensure the wall plugs or screws do not become loose.