



DriBUDDi®



DriBUDDI®

Thank you for purchasing DriBuddi from JML. To get the best performance from this warm air clothes dryer, please read these instructions in full and retain for future reference.

Contents

Safety Warnings & Advice _____	2	Guarantee _____	7
Your DriBuddi _____	4	Technical information _____	7
Assembling DriBuddi _____	5	Technical specifications _____	7
Using your DriBuddi _____	6	Fuse & mains plug replacement _____	8
Recommendations _____	7	Disposal and the environment _____	8
Cleaning & Care _____	7		

Safety Warnings & Advice

Do not use DriBuddi for any purpose other than those described in this manual.

For indoor household use only.

This appliance is not intended for use by anyone with reduced physical, sensory or mental capabilities or a lack of experience and knowledge unless they have been given supervision or instruction concerning the use of this appliance by a person responsible for their safety.

Do not overload your DriBuddi. Its maximum capacity is 10kg of damp clothing.

Keep your DriBuddi at least 1.5 metres away from any water or fire source.

This appliance is only intended for drying fabrics washed in water.

Keep children away from DriBuddi whilst in use. Do not allow them to play with DriBuddi or near it when it is in use.

Unplug the cord after use, before assembly or disassembly, and before cleaning.



Safety Warnings & Advice continued

Periodically check the power cord and plug for any damage. If it is damaged, do not use.

If the power cord and plug is damaged, it must be exclusively replaced by the manufacturer or a similarly qualified electrician in order to avoid a hazard.

Keep the power cord away from hot surfaces and sharp edges.

Do not open the Motor Unit or attempt to change or repair it. Unauthorised repairs will invalidate the warranty and could result in injury.

The Motor Unit may become hot during use. NEVER touch any metal parts as they may cause burns to the skin.

Ensure that the area around the DriBuddi is kept clear.

Ensure that the holes on top of the Cover are not covered during operation.

Keep DriBuddi away from water or other liquids. Do not plug in if it is resting on a wet surface.

DriBuddi should only be used in a well-ventilated area. If ventilation is lacking, it can also be used near an open window. Do not push directly up against a wall; leave at least a gap of an inch so air can circulate around it.

Please regularly inspect your DriBuddi to make sure clothes have not fallen off their hangers.

Always use the DriBuddi in a clean environment to avoid any ingress of dust or debris into the DriBuddi unit.

Customers should always attach the plastic grey cover over the motor.

Clothes should never be dripping when placed inside the unit.

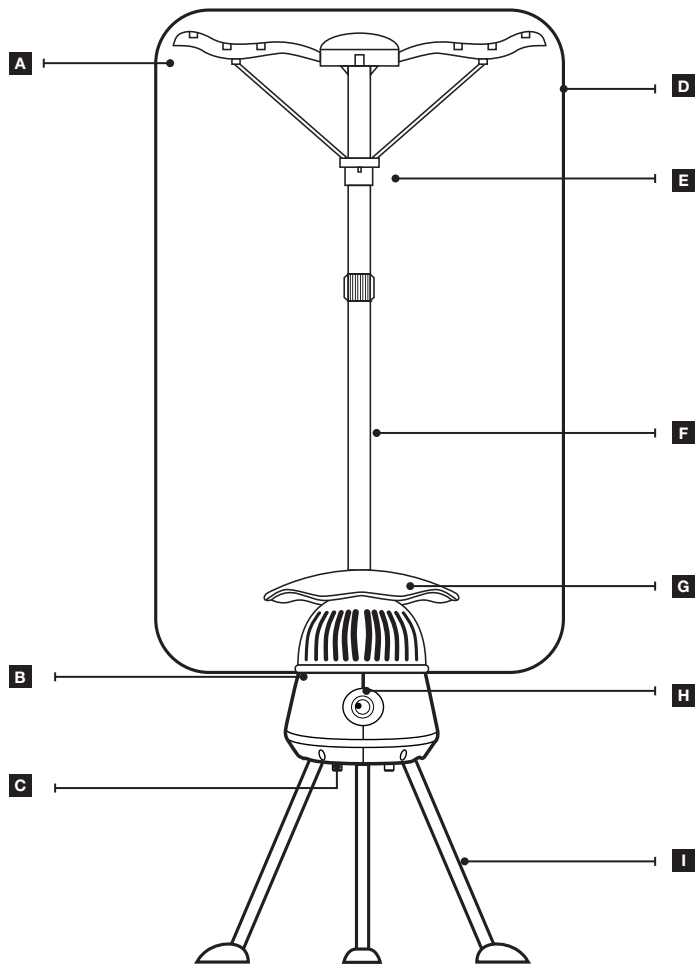
Long clothes that may obstruct the warm air vent need to be placed correctly so there is no obstruction that may cause overheating of the motor.

The feet should always be attached.

The vent on the underside should be checked for any sign of dust/fluff and this should be removed where possible.

The unit should not be used for any other means – i.e. as a warm heater (without the canvas bag).

Your DriBuddi



A Clothing Rack

B Motor Unit

C Vent

D Cover

E Clothes Hanger

F Lower Tube

G Waterproof Plate

H Timer Dial

I Dryer Legs x 3

Your DriBuddi continued

Assembling DriBuddi

1. Insert the 3 (I) Dryer Legs into the holes on the base of the (B) Motor Unit (see Fig. 1). Ensure they are all fitted tightly and equally so there is stability. For ease of installation and to prevent damage to the motor unit, hold the (B) Motor Unit upside-down on a soft surface.

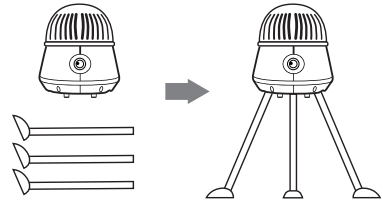


Fig. 1

2. Place the (F) Lower Tube through the (G) Waterproof Plate before screwing onto the (B) Motor Unit until tight (see Fig. 2).

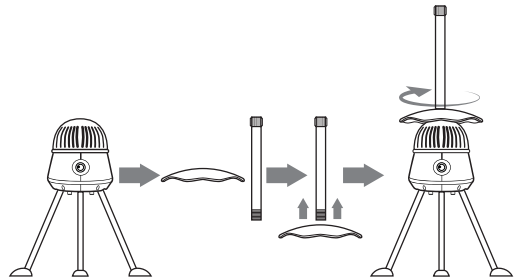


Fig. 2

3. Screw the (E) Clothes Hanger onto the (F) Lower Tube until tight (see Fig. 3).

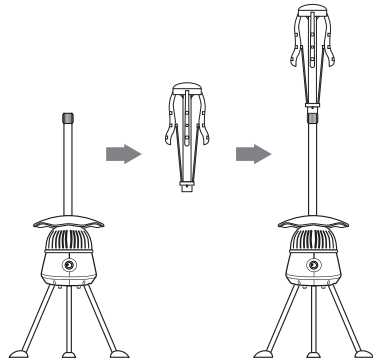


Fig. 3

4. In a similar way to opening an umbrella, push the top of the (E) Clothes Hanger upwards until the arms are fully horizontal and have clicked into place (see Fig. 4).

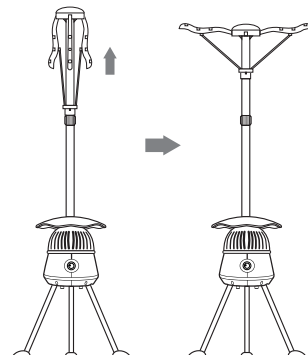


Fig. 4

Your DriBuddi continued

5. Open all the zips on the (D) Cover – the top of the (D) Cover is above where the three zips meet; the black ring is at the bottom.
6. Place the Cover around DriBuddi, ensuring that it surrounds all your clothes and that the black ring sits around the metal grill on the (B) Motor Unit (Fig. 6).

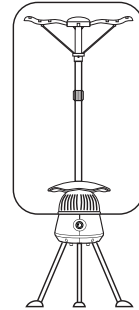


Fig. 6

Ensure the Cover is correctly positioned on, not over, the Motor Unit.

DO NOT PLACE THE (D) COVER ON THE DRI BUDDI WHILE TURNED ON AND/OR HOT. THIS MAY RESULT IN BURNING OR THE (D) COVER MAY NOT BE PLACED ON CORRECTLY. (FIG. 7).

Use caution when removing the (D) Cover after use. The (B) Motor Unit may still be hot.

7. Zip up all the zips and fold down the zip cover at the top. DriBuddi is now ready for use.

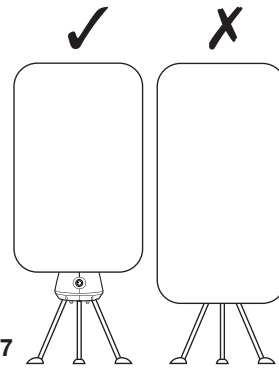
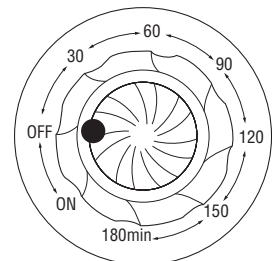


Fig. 7

Using your DriBuddi

1. Plug DriBuddi into a mains socket and switch on. A light should appear on the Timer Dial; this indicates that DriBuddi is on.
2. Undo all three zips. Pull down the Cover, but leave the black ring still resting above the Motor Unit. Allow the rest of the Cover to fall to the floor.
3. Place your wet clothes on coat hangers (plastic hangers are recommended) and hang on DriBuddi. DriBuddi can fit up to 18 garments.
4. Pull the Cover back over DriBuddi and fasten all the zips.
5. You can use DriBuddi in two different ways:
 - **Set the timer:** Turn the Dial clockwise to set the timer. DriBuddi will automatically turn off when the timer reaches zero.
 - **Set to Long On:** Turn the Dial anti-clockwise to turn DriBuddi on. It will remain on until you turn it off.



Using your DriBuddi continued

Please Note: DriBuddi should only be used in a well-ventilated area. If ventilation is lacking, it can also be used near an open window. **DO NOT** push directly up against a wall; leave at least a gap of an inch so air can circulate.

Recommendations

- DriBuddi is not recommended for clothes that are soaking/dripping wet. Clothes should be ideally spin-dried by a washing machine or well-wrung if hand washed.
- **DO NOT** hang clothes too close together. They will dry quicker if air is allowed to circulate between them.

Cleaning & Care

Clean with a damp cloth. **DO NOT** rinse with water in any way.

The vent on the underside should be checked for any sign of dust/fluff and this should be removed where possible. Only use a dry or a lightly moist cloth when cleaning the motor vent.

Guarantee

This product is unconditionally guaranteed for one year against all defects of workmanship and materials. This guarantee does not

affect your statutory rights. If you have any problems or queries about this product please contact JML customer services.

Technical Information

Technical specifications			
Rated voltage	Rated frequency	Rated power	Degree of Protection
220-240V	50Hz	1200W	IP21

Technical Information continued

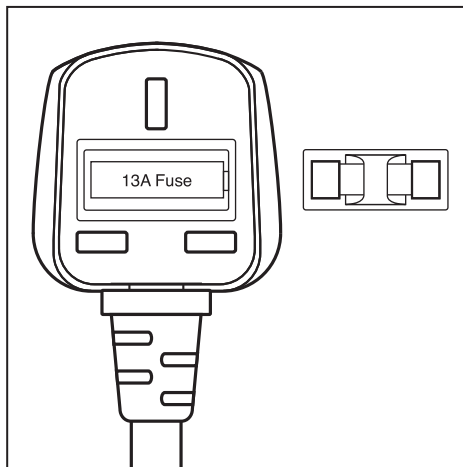
Fuse & mains plug replacement (UK & Ireland only)

This appliance is fitted with a BS 1363 13-amp plug. If you have to replace the fuse, only use those that are ASTA or BSI approved to BS 1362 and have a rated current of 13 amps.

To change the fuse

1. Use a flat-head screwdriver to prise the cover off the fuse compartment.
2. Carefully remove the existing fuse.
3. Clip the new 13 amp fuse into place.
4. Clip the cover back firmly into place.

If the power cord is damaged in any way please contact JML Customer Services.



Disposal and the environment



This product is covered by the waste electrical and electronic equipment (WEEE) regulations. It should not be discarded with normal household waste, but taken to your local collection centre for recycling. For further information, please contact your local authority or approved disposal agency.



Distributed by JML

JML, Unit 1 Eastside, Port of Tyne, South Shields, NE33 5SP
Customer Services: UK: 0800 781 7831 (Freephone) • ROI: 041-978 0003 (Local rate)
Email: info@JMLgroup.co.uk • Web: www.JMLdirect.com

©JohnMillsLtd/VG/02.20/1384/M



Distributed by JML GmbH Rheinstraße 3, 63225 Langen, Germany